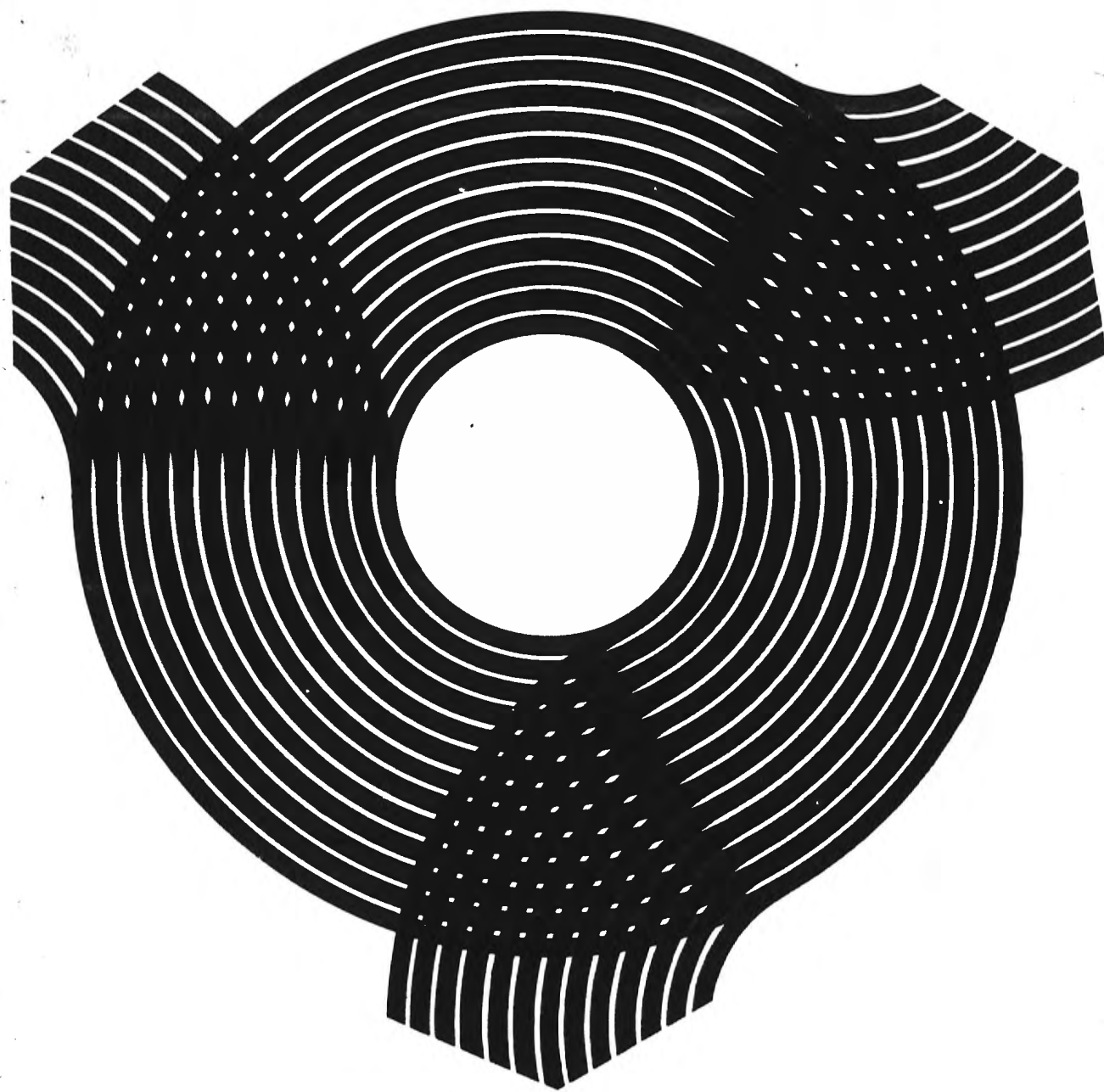


TOYOTA LAND CRUISER
MODEL FJ40V. 40LV. 45V. 45LV



PARTS
CATALOG

No. 93648-67

CONTENTS

GENERAL INFORMATION	Page 1
SPECIFICATIONS	Page 3 Thru 5
ILLUSTRATION INDEX	Page 11 Thru 16
ENGINE GROUP	Page 17 Thru 19
FUEL GROUP	Page 25 Thru 29
CHASSIS GROUP	Page 39 Thru 77
ELECTRICAL GROUP	Page 89 Thru 153
BODY GROUP	Page 175 Thru 335
ALPHABETICAL INDEX	Page 341 Thru 367
MANUFACTURER'S NUMERICAL INDEX	Page 368 Thru 383
STANDARD HARDWARE INDEX	Page 384 Thru 389

GENERAL INFORMATION

SCOPE—This parts catalog is a supplement to our parts catalog for the Toyota Land Cruiser Model FJ40, 43 (Running No. 93646-67 to cover all the special parts exclusively used for the following models :

MODEL FJ40V TOYOTA LAND CRUISER, Hard Top, RHD
MODEL FJ40LV TOYOTA LAND CRUISER, Hard Top, LHD
MODEL FJ45V TOYOTA LAND CRUISER, Utility Wagon, RHD
MODEL FJ45LV TOYOTA LAND CRUISER, Utility Wagon, LHD

ASSEMBLIES AND SUB-ASSEMBLIES—Only the component parts of assemblies and sub-assemblies are shown with key letter in the plates. Assemblies and sub-assemblies are listed in the catalog with code letters of the items listed below the headings to show component parts.

ASTERISKS (*)—Items shown with asterisks (*) after their Part Number will not be supplied individually as service replacement parts. Assemblies or sub-assemblies of which these items are component parts must be requested.

MODEL COLUMN—Items common to FJ40V (Hard Top RHD), FJ40LV (Hard Top LHD), FJ45V (Utility Wagon RHD) and FJ45LV (Utility Wagon LHD) are shown with abbreviations 40V. LV. 45V and LV.

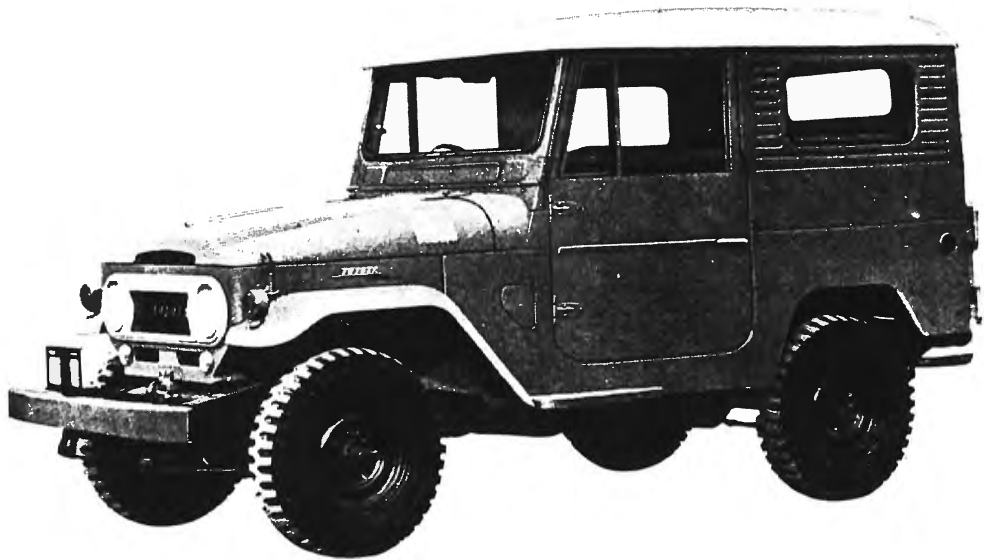
LOCATIONAL TERMS—The terms "left" and "right" and "front" and "rear" are established with reference to the operator sitting in the driver's seat. "Right" indicates the direction to the right of the operator ; "Left" the direction to the left of the operator. "Front" indicates the direction toward the radiator end of the vehicle ; "Rear" the direction toward the back of the vehicle.

DIMENSIONS—All parts are manufactured in accordance with metric standards. Dimensions shown throughout this catalog are in millimeters unless otherwise designated.

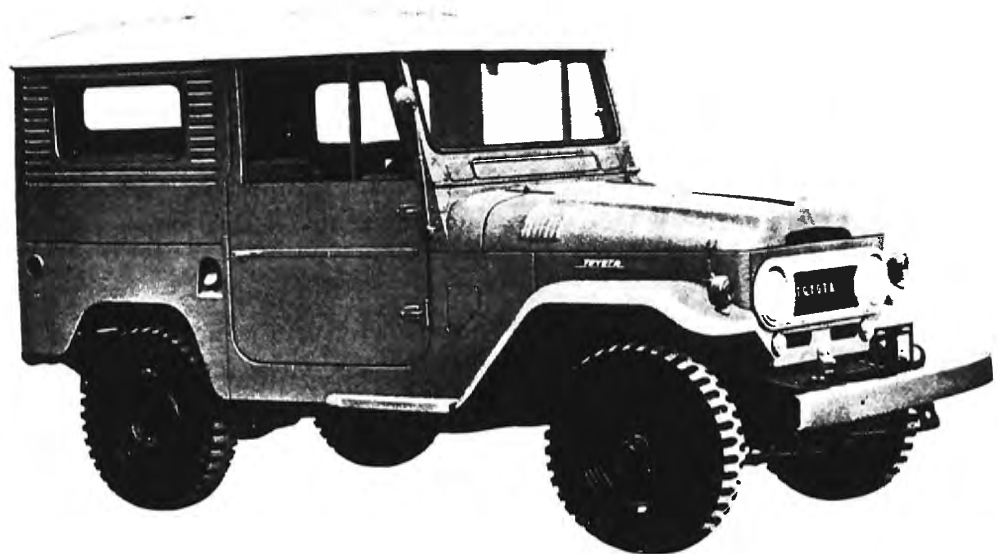
PART NUMBER ALTERNATION—Part Number are subject to change without notice as to design changes and other reasons.

NOTE—Parts number printed in light prints are not effective with the change.

FIG. 1 TOYOTA LAND CRUISER, MODELS FJ40V AND FJ40LV Old
(Hard Top)

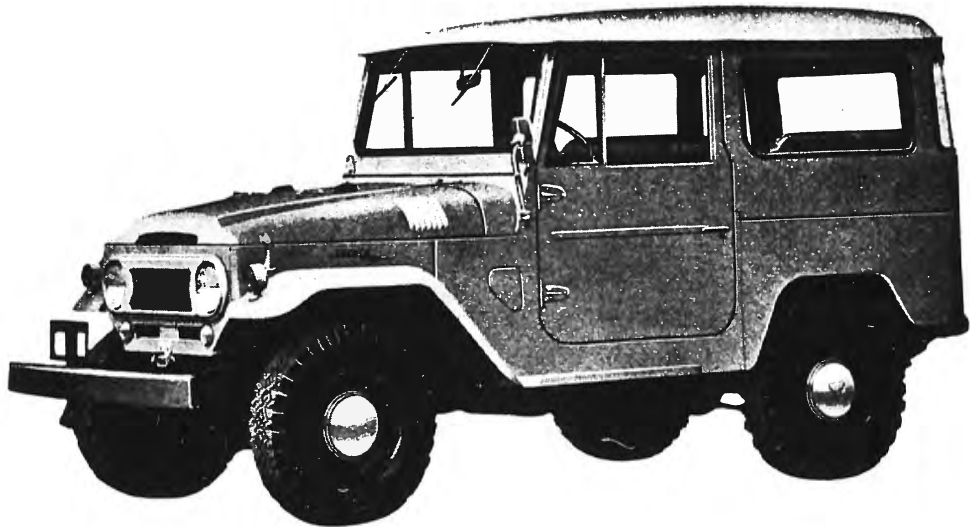


P 0447



P 0448

FIG.—1(a) TOYOTA LAND CRUISER, MODELS FJ40V AND FJ40LV
(Hard Top) (from Frame No. FJ40-36364)



P 0814



P 0815

MODELS FJ40V AND FJ40LV, TOYOTA LAND CRUISER SPECIFICATIONS

Length, overall (mm.)	3,870 (152.4 in.)
Width, overall (mm.)	1,665 (65.6 in.)
Height, overall (mm.)	1,950 (76.8 in.)
	(from Frame No. FJ40-36364) 1,930 (76.0 in.)
Wheelbase (mm.)	2,285 (90.0 in.)
Load, front (mm.)	1,404 (55.3 in.)
Load, rear (mm.)	1,400 (55.1 in.)
Ground Clearance (mm.)	200 (7.9 in.)
Overhang (mm.) (c/l rear axle to rear end of body)	710
Chassis Weight, bare (kg.)	990
Net Vehicle Weight (kg.)	1,550 (3,410 lb.)
	(from Frame No. FJ40-36364) 1,575 (3,470 lb.)
Seating Capacity	3 persons or 7 persons
Maximum Payload (kg.)	400 (880 lb.) or 0
Maximum Allowable Speed (km. hr.)	135 (85 mph)
Stability	46°
Minimum Turning Radius (m.)	5.3 (17.4 ft)
Maximum Braking Distance (m.) (Initial Speed 50km. hr.)	12
Fuel Tank Capacity (liters)	70 (18.5 US gal.)
Size	7.10-15 4 ply 7.60-15 6 ply OPT
Engine	Model F (135 hp. 3,800 r.p.m. SAE) gasoline.
Clutch	Dry single plate with torsion rubbers.
Transmission	3-speed, 2nd and 3rd gears synchromesh.
Transfer	2-speed, helical gear sliding type.
Propeller Shaft	Two tubular type shafts w/ four spider type universal joint.
Rear Axle	Semi-floating, hypoid gear drive.
Front Axle	Full-floating, hypoid gear drive.
Beveling Gear	Worm and sector roller type.
Brake, service	Hydraulic brake, operating all wheels.
Brake, parking	Mechanical brake operating on propeller shaft.
Suspension, front	Semi-elliptic leaf springs and double acting hydraulic shock absorbers.
Suspension, rear	Semi-elliptic leaf springs, torsion stabilizer and double acting hydraulic shock absorbers.
Frame	Girder type, channel section.

FIG.—2 TOYOTA LAND CRUISER, MODELS FJ45V AND FJ45LV—Old
(Utility Wagon)

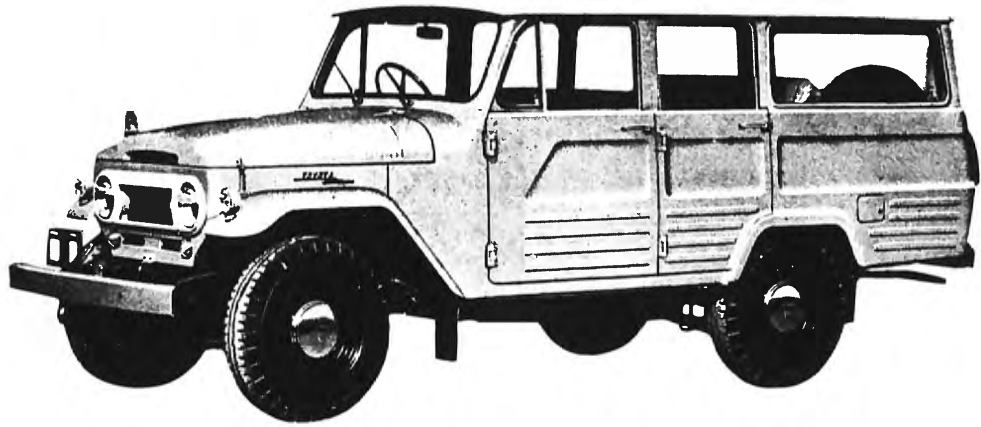


P 0449

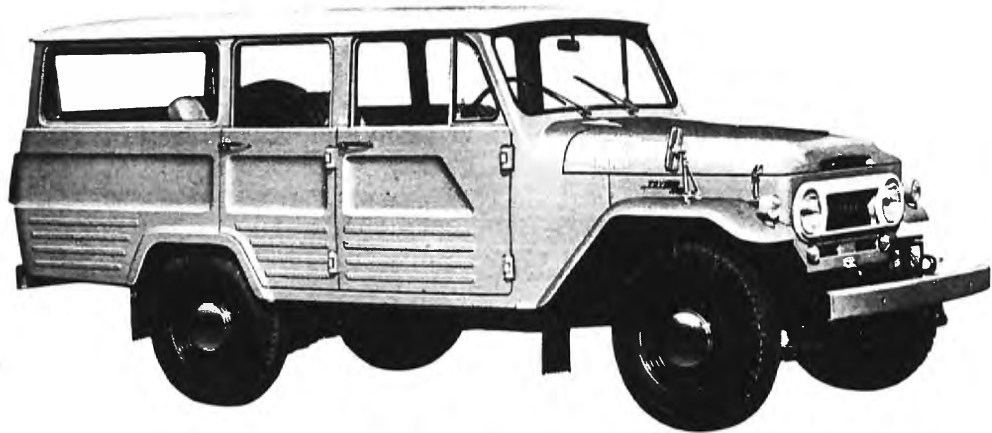


P 0450

FIG.—2(a) TOYOTA LAND CRUISER, MODELS FJ45V AND FJ45LV
(Utility Wagon)



P 0904



P 0905

MODELS FJ45V AND FJ45LV, TOYOTA LAND CRUISER SPECIFICATIONS

Length, overall (mm.)	4,660 (183.5 in.)
Width, overall (mm.)	1,720 (67.7 in.)
Height, overall (mm.)	1,770 (69.7 in.)
Wheelbase (mm.)	2,650 (104.3 in.)
Tread, front (mm.)	1,404 (55.3 in.)
Tread, rear (mm.)	1,400 (55.1 in.)
Ground Clearance (mm.)	220 (8.7 in.)
Overhang (mm.) (c/l rear axle to rear end of body)	1,260
Chassis Weight, bare (kg.)	1,070
Net Vehicle Weight (kg.)	1,850 (4,070 lb.)
Cab Seating Capacity	3 persons or 6 persons
Maximum Payload (kg.)	600 (1,320 lb.) or 400 (880 lb.)
Maximum Allowable Speed (km. hr.)	120 (75 mph)
Gradeability	34°
Minimum Turning Radius (m.)	6.2 (20.3 ft)
Maximum Braking Distance (m.) (Initial Speed 50km./hr.)	15
Fuel Tank Capacity (liters)	70 (18.5 US gal.)
Tire Size, front	7.00-15 6 ply rating
Tire Size, rear	7.00-15 8 ply rating
Engine	Model F (135 hp., 3,800 r.p.m. SAE) gasoline.
Clutch	Dry single plate with torsion rubbers.
Transmission	3-speed, 2nd and 3rd gears synchromesh.
Transfer	2-speed, helical gear sliding type.
Propeller Shaft	Two tubular type shafts w four spider type universal joint.
Rear Axle	Semi-floating, hypoid gear drive.
Front Axle	Full-floating, hypoid gear drive.
Steering Gear	Worm and sector roller type.
Brake, service	Hydraulic brake, operating all wheels.
Brake, parking	Mechanical brake operating on propeller shaft.
Suspension, front	Semi-elliptic leaf springs and double acting hydraulic shock absorbers.
Suspension, rear	Progressive type semi-elliptic leaf springs, torsion stabilizer and double acting hydraulic shock absorbers.
Frame	Girder type, channel section.

ILLUSTRATION INDEX

11

SUMMARY	FIGURE NUMBER	PAGE
TOYOTA LAND CRUISER, Hard Top MODELS		
FJ40V AND FJ40LV	1	2
TOYOTA LAND CRUISER, Utility Wagon MODELS		
FJ45V AND FJ45LV	2	4
ENGINE GROUP		
MODEL F ENGINE SECTION	(Refer Fig.—11 of Parts Catalog Model FJ40)	
ENGINE ASSEMBLY	(Refer Fig.—12 of Parts Catalog Model FJ40)	
ENGINE ASSEMBLY (For U.S.A.)	(Refer Fig.—13 of Parts Catalog Model FJ40)	
CYLINDER HEAD & MANIFOLD	(Refer Fig.—14 of Parts Catalog Model FJ40)	
CYLINDER BLOCK & TIMING GEAR COVER	(Refer Fig.—15 of Parts Catalog Model FJ40)	
CRANKSHAFT & CONNECTING ROD	(Refer Fig.—16 of Parts Catalog Model FJ40)	
CAMSHAFT & VALVE	(Refer Fig.—17 of Parts Catalog Model FJ40)	
OIL PUMP	(Refer Fig.—18 of Parts Catalog Model FJ40)	
OIL FILTER	(Refer Fig.—19 of Parts Catalog Model FJ40)	
OIL DELIVERY PIPE & OIL PRESSURE REGULATOR (FJ40V, 45V)	(Refer Fig.—20 of Parts Catalog Model FJ40)	
OIL DELIVERY PIPE & OIL PRESSURE REGULATOR (FJ40LV, 45LV)	(Refer Fig.—21 of Parts Catalog Model FJ40)	
WATER PUMP & WATER OUTLET	(Refer Fig.—22 of Parts Catalog Model FJ40)	
RADIATOR & FAN	(Refer Fig.—23 of Parts Catalog Model FJ40)	
EXHAUST PIPE & MUFFLER (FJ40V)	(Refer Fig.—24 of Parts Catalog Model FJ40)	
EXHAUST PIPE & MUFFLER (FJ40LV)	(Refer Fig.—25 of Parts Catalog Model FJ40)	
EXHAUST PIPE & MUFFLER (FJ45V, 45LV)	5	18
AIR CLEANER	(Refer Fig.—26 of Parts Catalog Model FJ40)	
AIR CLEANER OPT	(Refer Fig.—27 of Parts Catalog Model FJ40)	
ANTI-SMOG DEVICE OPT (For U.S.A.)	(Refer Fig.—28 of Parts Catalog Model FJ40)	
FUEL GROUP		
FUEL PIPE & VACUUM PIPE	(Refer Fig.—31 of Parts Catalog Model FJ40)	
CARBURETOR	(Refer Fig.—32 of Parts Catalog Model FJ40)	
FUEL PUMP	(Refer Fig.—33 of Parts Catalog Model FJ40)	

SUMMARY	FIGURE NUMBER	PAGE
FUEL FILTER	(Refer Fig.—34 of Parts Catalog Model FJ40)	
FUEL TANK & BAND (FJ40V, 40LV)	(Refer Fig.—35 of Parts Catalog Model FJ40)	
FUEL TANK & BAND (FJ45V, 45LV)	10	26, 28
AUXILIARY FUEL TANK OPT	(Refer Fig.—36 of Parts Catalog Model FJ40)	
CHASSIS GROUP		
CLUTCH SECTION	(Refer Fig.—41 of Parts Catalog Model FJ40)	
CLUTCH & RELEASE CYLINDER	(Refer Fig.—42 of Parts Catalog Model FJ40)	
CLUTCH PEDAL & BRAKE PEDAL (FJ40V, 40LV)	(Refer Fig.—43 of Parts Catalog Model FJ40)	
CLUTCH PEDAL & BRAKE PEDAL (FJ45V, 45LV)	15	40
MASTER CYLINDER	(Refer Fig.—44 of Parts Catalog Model FJ40)	
CLUTCH MASTER CYLINDER	(Refer Fig.—93 of Parts Catalog Model FJ40)	
TRANSMISSION & TRANSFER SECTION	(Refer Fig.—45 of Parts Catalog Model FJ40)	
TRANSMISSION SECTION OPT	(Refer Fig.—46 of Parts Catalog Model FJ40)	
TRANSMISSION CASE & COVER (FJ40V, 45V)	(Refer Fig.—47 of Parts Catalog Model FJ40)	
TRANSMISSION CASE & COVER (FJ40LV, 45LV)	(Refer Fig.—48 of Parts Catalog Model FJ40)	
TRANSMISSION CASE & COVER OPT	(Refer Fig.—49 of Parts Catalog Model FJ40)	
TRANSMISSION GEAR	(Refer Fig.—50 of Parts Catalog Model FJ40)	
CONTROL SHAFT & LINK (FJ40V, 45V)	(Refer Fig.—51 of Parts Catalog Model FJ40)	
CONTROL SHAFT & LINK (FJ40LV, 45LV)	(Refer Fig.—52 of Parts Catalog Model FJ40)	
TRANSFER CASE & COVER	(Refer Fig.—53 of Parts Catalog Model FJ40)	
TRANSFER GEAR SHIFT FORK	(Refer Fig.—55 of Parts Catalog Model FJ40)	
TRANSFER SHIFT LEVER & LINK	(Refer Fig.—57 of Parts Catalog Model FJ40)	
TRANSFER SHIFT LEVER & LINK OPT	(Refer Fig.—58 of Parts Catalog Model FJ40)	
DIAPHRAGM CYLINDER & TRANSFER FRONT DRIVE FORK	(Refer Fig.—59 of Parts Catalog Model FJ40)	
TRANSFER FRONT DRIVE CONTROL	(Refer Fig.—60 of Parts Catalog Model FJ40)	
FRONT POWER TAKE-OFF SECTION OPT	(Refer Fig.—61 of Parts Catalog Model FJ40)	
FRONT POWER TAKE-OFF OPT	(Refer Fig.—62 of Parts Catalog Model FJ40)	
CENTER POWER TAKE-OFF SECTION OPT	(Refer Fig.—63 of Parts Catalog Model FJ40)	
CENTER POWER TAKE-OFF OPT	(Refer Fig.—64 of Parts Catalog Model FJ40)	
WINCH OPT	(Refer Fig.—65 of Parts Catalog Model FJ40)	
WINCH DRIVE SHAFT & LEVER OPT	(Refer Fig.—66 of Parts Catalog Model FJ40)	

SUMMARY	FIGURE NUMBER	PAGE
INTERMEDIATE & REAR DRIVE SHAFT OPT (FJ40V, 40LV)	(Refer Fig.—67 of Parts Catalog Model FJ40)	
PROPELLER SHAFT & UNIVERSAL JOINT (FJ40V, 40LV)	(Refer Fig.—68 of Parts Catalog Model FJ40)	
PROPELLER SHAFT & UNIVERSAL JOINT (FJ45V, 45LV)	16	42, 44
REAR AXLE SECTION	(Refer Fig.—70 of Parts Catalog Model FJ40)	
REAR AXLE HOUSING & DIFFERENTIAL (FJ40V, 40LV)	(Refer Fig.—71 of Parts Catalog Model FJ40)	
REAR AXLE HOUSING & DIFFERENTIAL (FJ45V, 45LV)	17	46, 48, 50, 52
REAR AXLE SHAFT & DISC WHEEL	(Refer Fig.—73 of Parts Catalog Model FJ40)	
FRONT AXLE SECTION	(Refer Fig.—74 of Parts Catalog Model FJ40)	
FRONT AXLE HOUSING & DIFFERENTIAL	(Refer Fig.—76 of Parts Catalog Model FJ40)	
FRONT AXLE SHAFT & DISC WHEEL	(Refer Fig.—78 of Parts Catalog Model FJ40)	
DRAG LINK & TIE ROD (FJ40V, 45V)	(Refer Fig.—79 of Parts Catalog Model FJ40)	
DRAG LINK & TIE ROD (FJ40LV, 45LV)	(Refer Fig.—80 of Parts Catalog Model FJ40)	
STEERING SECTION	(Refer Fig.—81 of Parts Catalog Model FJ40)	
STEERING COLUMN & HOUSING (FJ40V, 45V)	(Refer Fig.—82 of Parts Catalog Model FJ40)	
STEERING COLUMN & HOUSING (FJ40LV, 45LV)	18	54, 56, 58
STEERING WHEEL	(Refer Fig.—84 of Parts Catalog Model FJ40)	
PARKING BRAKE	19	60, 62, 64
BRAKE MASTER CYLINDER	(Refer Fig.—94 of Parts Catalog Model FJ40)	
REAR BACKING PLATE & WHEEL CYLINDER	(Refer Fig.—86 of Parts Catalog Model FJ40)	
FRONT BACKING PLATE & WHEEL CYLINDER	(Refer Fig.—87 of Parts Catalog Model FJ40)	
OIL BRAKE TUBE & CLAMP (FJ40V)	(Refer Fig.—88 of Parts Catalog Model FJ40)	
OIL BRAKE TUBE & CLAMP (FJ40LV)	(Refer Fig.—89 of Parts Catalog Model FJ40)	
OIL BRAKE TUBE & CLAMP (FJ45V)	20	66, 68
OIL BRAKE TUBE & CLAMP (FJ45LV)	21	70, 72
FRONT SPRING & SHOCK ABSORBER	(Refer Fig.—90 of Parts Catalog Model FJ40)	
REAR SPRING & SHOCK ABSORBER (FJ40V, 40LV)	(Refer Fig.—91 of Parts Catalog Model FJ40)	
REAR SPRING & SHOCK ABSORBER (FJ45V, 45LV)	22	74, 76

ELECTRICAL GROUP

IGNITION COIL & BUTTERY	(Refer Fig.—101 of Parts Catalog Model FJ40)
ALTERNATOR	(Refer Fig.—102 of Parts Catalog Model FJ40)
ALTERNATOR OPT	(Refer Fig.—103 of Parts Catalog Model FJ40)

SUMMARY	FIGURE NUMBER	PAGE
STATER	(Refer Fig.—104 of Parts Catalog Model FJ40)	
DISTRIBUTOR	(Refer Fig.—105 of Parts Catalog Model FJ40)	
COMBINATION METER & SWITCH	30	90, 92
WIRING HARNESS & CLAMP (FJ40V)	31	94
WIRING HARNESS & CLAMP (FJ40LV)	32	96
WIRING HARNESS & CLAMP (FJ45V)—Old	33	98
WIRING HARNESS & CLAMP (FJ45V)	34	100
WIRING HARNESS & CLAMP (FJ45LV)—Old	35	102
WIRING HARNESS & CLAMP (FJ45LV)	36	104
LAMP & SWITCH (FJ40V)	37	106, 108
LAMP & SWITCH (FJ40LV)	38	110, 112
LAMP & SWITCH (FJ45V, 45LV)	39	114, 116
HEADLAMP & REAR COMBINATION LAMP	(Refer Fig.—113 of Parts Catalog Model FJ40)	
FRONT TURN SIGNAL LAMP & LICENSE PLATE LAMP		
(FJ40V, 40LV)	40	118, 120
FRONT TURN SIGNAL LAMP & ROOM LAMP (FJ45V, 45LV)	41	122
REAR COMBINATION LAMP & INSPECTION LAMP		
(FJ45V, 45LV)	42	124, 126
FOG LAMP OPT	(Refer Fig.—115 of Parts Catalog Model FJ40)	
HORN & HORN RELAY (Denso)	(Refer Fig.—116 of Parts Catalog Model FJ40)	
HORN & HORN RELAY (Maruko)	(Refer Fig.—117 of Parts Catalog Model FJ40)	
WINDSHIELD WIPER (FJ45V, 45LV)—Old	43	128, 130
WINDSHIELD WIPER (FJ45V, 45LV)	44	132, 134
WINDSHIELD WIPER MOTOR (FJ45V, 45LV)	45	136, 138, 140, 142
HEATER & ACCESSORY OPT (FJ45V)	46	144
HEATER & ACCESSORY OPT (For Front Seat)	47	146, 148, 150
HEATER & ACCESSORY OPT (For Rear Seat) (FJ45V, 45LV)	48	152
HEATER & ACCESSORY OPT (For Rear Seat) (FJ40V, 40LV)	49	154

SUMMARY	FIGURE NUMBER	PAGE
ODY GROUP		
ACCELERATOR LINK (FJ40V, 45V)	(Refer Fig.—141 of Parts Catalog Model FJ40)	
ACCELERATOR LINK (FJ40LV, 45LV)	(Refer Fig.—142 of Parts Catalog Model FJ40)	
FRAME & BUMPER (FJ40V, 40LV)	(Refer Fig.—143 of Parts Catalog Model FJ40)	
FRAME & BUMPER (FJ45V, 45LV)	58	176, 178, 180
FRAME & BUMPER OPT (FJ45V, 45LV)	59	182, 184, 186
HOOD & RADIATOR GRILLE	60	188, 190, 192
RADIATOR SUPPORT, COWL & STEP (FJ40V, 40LV)	61	194, 196
RADIATOR SUPPORT, COWL & STEP (FJ45V, 45LV)	62	198
INSTRUMENT PANEL & GROVE COMPARTMENT	63	200, 202
VENTILATOR (FJ40V, 40LV) Old	(Refer Fig.—149 of Parts Catalog Model FJ40)	
VENTILATOR (FJ40V, 40LV)	(Refer Fig.—150 of Parts Catalog Model FJ40)	
FRONT WINDOW & WINDSHIELD WIPER (FJ40V)	64	204, 206
FRONT WINDOW & WINDSHIELD WIPER (FJ40LV)	65	208, 210
REAR BODY LOWER (FJ40V, 40LV)	66	212, 214, 216, 218
REAR BODY UPPER (FJ40V, 40LV)	67	220, 222, 224
SPARE WHEEL CARRIER (FJ40V)	68	226
BACK DOOR & STAY (FJ40V, 40LV) Old	69	228, 230
BACK DOOR & STAY (FJ40V, 40LV)	70	232
BACK DOOR LOCK & HINGE (FJ40V, 40LV)	71	234, 236
DOOR & WINDOW GLASS (FJ40V, 40LV)	72	238, 240, 242
DOOR LOCK & WINDOW REGULATOR (FJ40V, 40LV)	73	244, 246
MARK, VISOR & FLOOR MAT (FJ40V, 40LV)	95	336
SEAT (FJ40V)	(Refer Fig.—166 of Parts Catalog Model FJ40)	
SEAT (FJ40LV)	(Refer Fig.—167 of Parts Catalog Model FJ40)	
SEAT (FJ40V, 40LV)	(Refer Fig.—168 of Parts Catalog Model FJ40)	
MAIN BODY (FJ45V, 45LV)	74	248
VENTILATOR (FJ45V, 45LV) Old	75	250
VENTILATOR (FJ45V, 45LV)	76	252
FLOOR & SPARE WHEEL CARRIER (FJ45V, 45LV)	77	254, 256
FLOOR & SPARE WHEEL CARRIER OPT (FJ45V, 45LV)	94	332, 334

ILLUSTRATION INDEX


SUMMARY	FIGURE NUMBER	PAGE
SIDE MEMBER (FJ45V, 45LV)	78	258, 260, 262
WINDOW GLASS & PROTECTOR (FJ45V, 45LV)	79	264, 266
WINDOW GLASS & VISOR (FJ45LV, For U.S.A.)	80	268
FRONT DOOR & WINDOW GLASS (FJ45V, 45LV)	81	270, 272, 274
FRONT DOOR & WINDOW GLASS (FJ45L, For U.S.A.)	82	276, 278, 280
FRONT DOOR LOCK & WINDOW REGULATOR (FJ45V, 45LV)	83	282, 284, 286
REAR DOOR & WINDOW GLASS (FJ45V, 45LV)	84	288, 290
REAR DOOR LOCK & WINDOW REGULATOR (FJ45V, 45LV)	85	292, 294
REAR GATE & GLASS (FJ45V, 45LV)	86	296
REAR GATE LOCK HINGE (FJ45V, 45LV)	87	298, 300, 302
BACK DOOR & WINDOW GLASS OPT (FJ45V, 45LV)	88	304
BACK DOOR LOCK OPT (FJ45V, 45LV)	89	306, 308
ROOF SILENCER & MAT (FJ45V, 45LV)	90	310, 312
ROOF SILENCER & MAT (FJ45LV, For U.S.A.)	91	314, 316
SEAT & SEAT TRUCK (FJ45V, 45LV)	92	318, 320, 322, 324
SEAT OPT	93	326, 328, 330


TOOL GROUP


STANDARD TOOL	(Refer Fig.—191 of Parts Catalog Model FJ40)
SPECIAL SERVICE TOOL	(Refer Fig.—192 of Parts Catalog Model FJ40)
SPECIAL SERVICE TOOL	(Refer Fig.—193 of Parts Catalog Model FJ40)
SPECIAL SERVICE TOOL	(Refer Fig.—194 of Parts Catalog Model FJ40)
SPECIAL SERVICE TOOL	(Refer Fig.—195 of Parts Catalog Model FJ40)

ENGINE GROUP 
(FIG.—5)

FUEL GROUP 
(FIG.—10)

CHASSIS GROUP 
(FIG.—15~22)

ELECTRICAL GROUP 
(FIG.—30~49)

BODY GROUP 
(FIG.—58~95)

ENGINE GROUP

FIG.—5 EXHAUST PIPE & MUFFLER (F145V 45LV)—Old

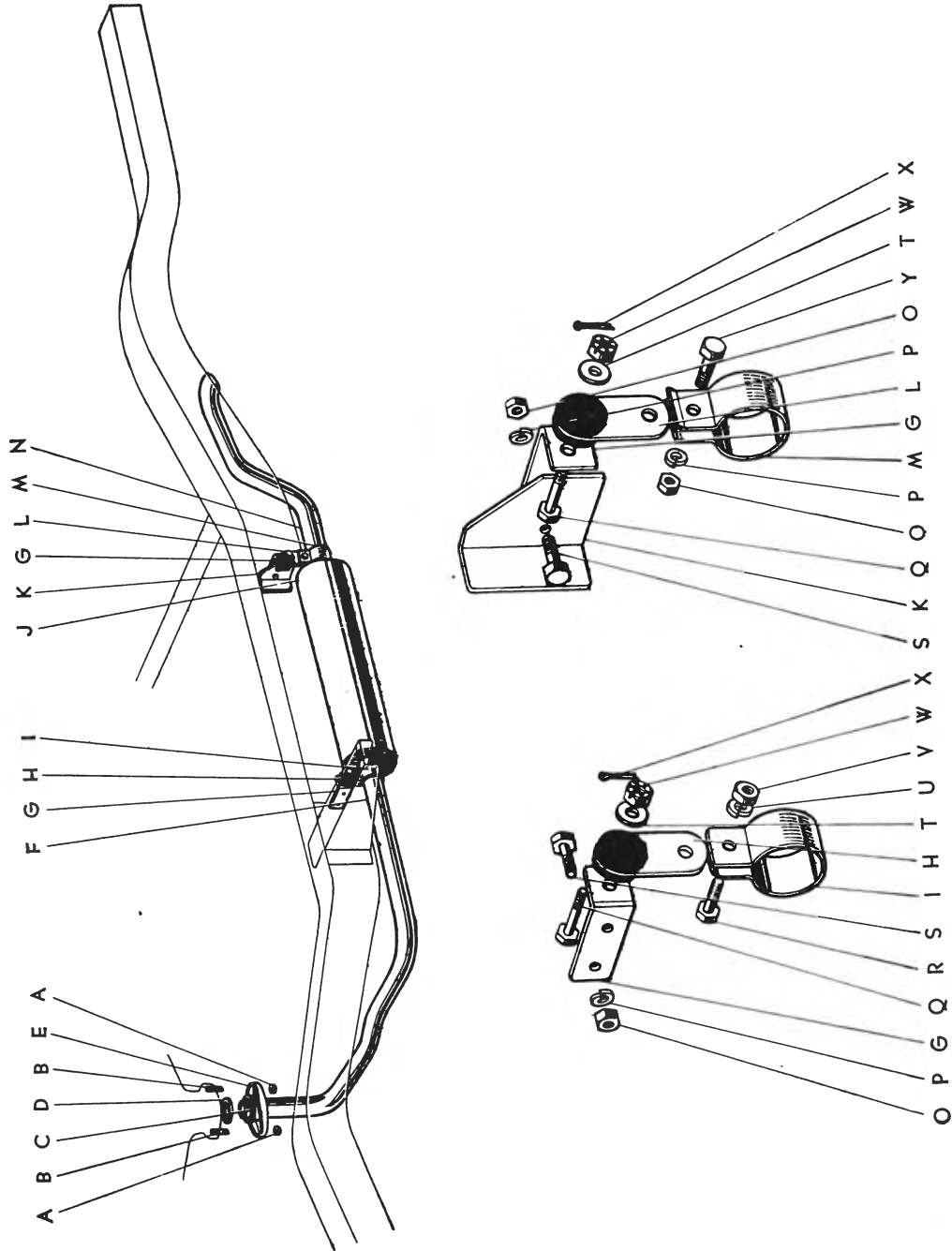
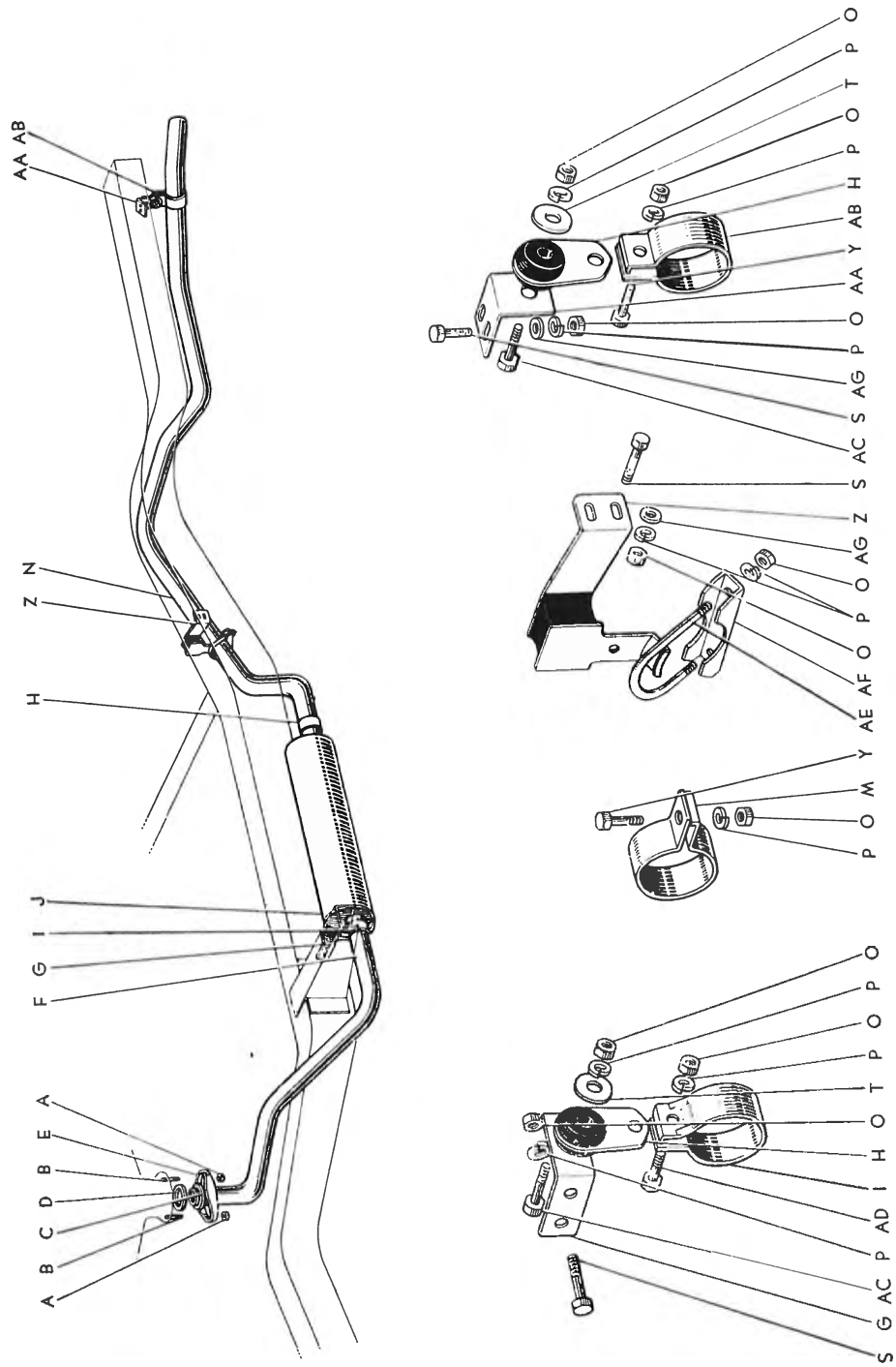


FIG.—5(a) EXHAUST PIPE & MUFFLER (FJ45Y, 45LV)



Toyota Land Cruiser

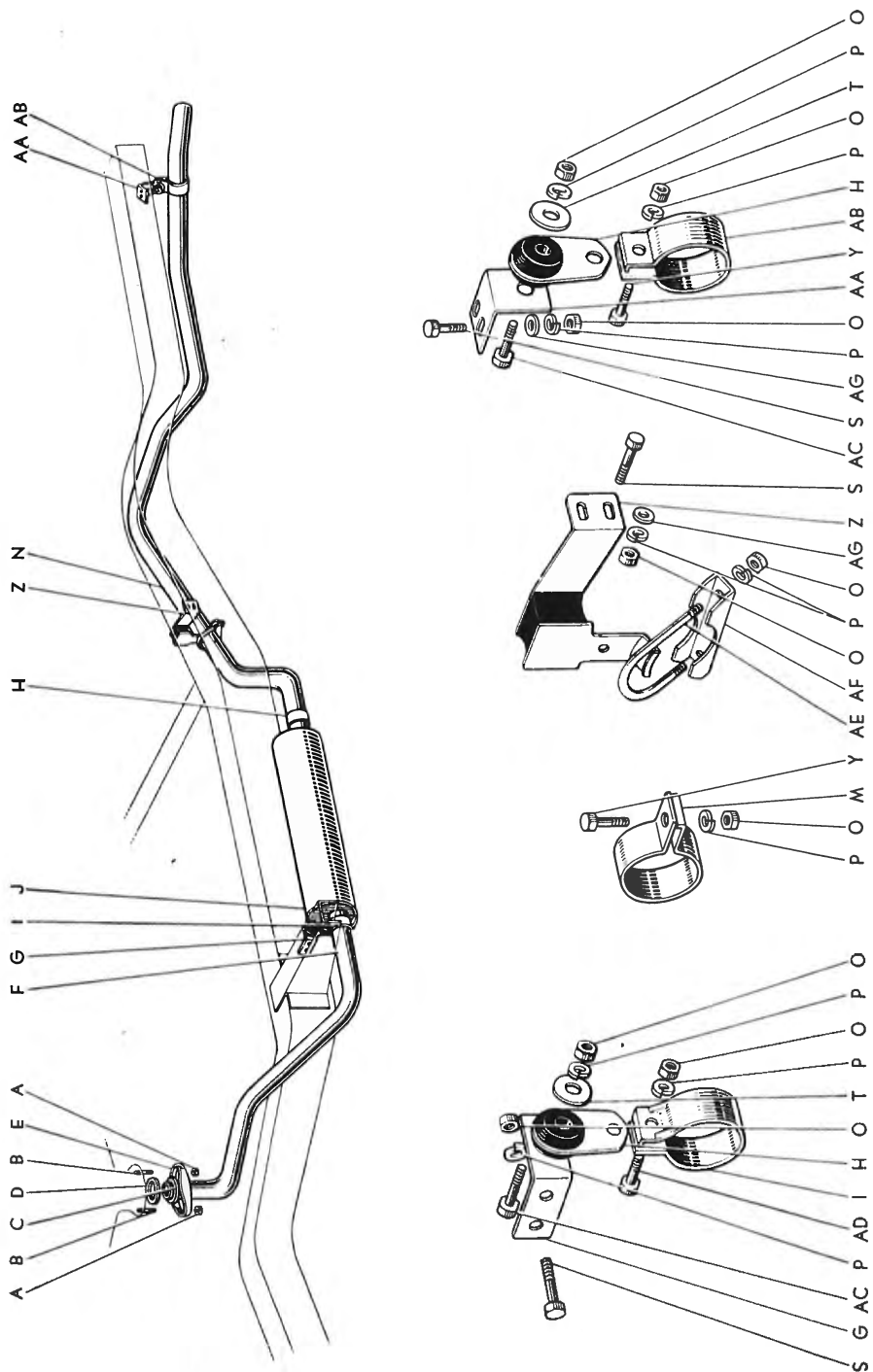
19

S- RATION	PART NO.	NOMENCLATURE	P E R VEHICLE	MODEL
Exhaust Pipe & Muffler (FJ45V, 45LV)				
A	90170-10050	Nut, manifold clamp & exhaust pipe set	2	40V. LV. 45V. LV
J	90116-10043	Bolt, stud	2	40V. LV. 45V. LV
	90917-05004*	Collar, pipe	1	40V. LV. 45V. LV
D	90917-06005	Gasket, exhaust pipe	1	40V. LV. 45V. LV
E	17441-60010	Flange, exhaust pipe gasket	1	40V. LV. 45V. LV
	★17401 92000	Pipe sub-assy, front exhaust (includes illustration—C of Fig.—5)	1	45V. LV
	17401-60190	Pipe sub-assy, exhanst (from Frame No. FJ45 24186)	1	45V
	17401-60180	Pipe sub-assy, exhaust (from Frame No. FJ45 24186)	1	LV
	★17571 92000	Bracket, muffler inlet pipe clamp	2	45V. LV
	17571-60080	Bracket, exhanst pipe support, No.1 (from Frame No. FJ45 24186)	1	45V. LV
H	★17572 92000	Rubber sub-assy, exhaust pipe	1	45V. LV
	90917-08004	Cushion, exhaust pipe (from Frame No. FJ45 24186)	2	45V. LV
	★90461 23063	Clamp, muffler inlet pipe	1	40V. LV. 45V. LV
	90461-23227	Clamp (from Frame No. FJ45 24186)	1	45V. LV
	★17510 60020	Muffler assy (Replaced by 17510-60021)	1	40V. LV. 45V. LV
	17510-60021	Muffler assy	1	40V. LV. 45V. LV
K	★17581 92000	Bracket, exhaust pipe clamp (up to Frame No. FJ45 24185)	1	45V. LV
L	★90917 08001	Cushion, exhaust pipe (up to Frame No. FJ45 24185)	1	45V. LV
A	90461-23071	Clamp	1	40V. LV. 45V. LV
N	★17431 92000	Pipe, rear exhaust	1	45V. LV
	17431-60140	Pipe, tail (from Frame No. FJ45 24186)	1	45V. LV
D	94110-40800	Nut (hex. 8—1.25p)	13	
P	94512-00800	Washer, spring (8)	13	
Q	★90102 08002	Bolt, pin hole hexagon (up to Frame No. FJ45 24185)	2	45V. LV
R	★91111 41025	Bolt (hex-hd. 10—1.25p×25)	1	
S	91111-40820	Bolt (hex-hd. 8—1.25p×20)	6	
T	★94613-10800	Washer, plate (8×1.6)	2	
	90201-08216	Washer, plate (from Frame No. FJ45 24186)	2	45V. LV
J	★94512 01000	Washer, spring (10)	1	
V	★94110 41000	Nut (hex. 10—1.25p)	1	

↓ ★ Old Part

ENGINE

FIG.—5(a) EXHAUST PIPE & MUFFLER (FJ45Y, 45LV)



Toyota Land Cruiser

21

ILLUSTRATION	PART NO.	NOMENCLATURE	P E R VEHICLE	MODEL
(FIG.5)				
W	★94141-40800	Nut (hex. 8—1.25p)	2	
X	★95381-02020	Pin, cotter	2	
Y	91111-40825	Bolt (hex-hd. 8—1.25p×25)	2	
Z	17562-60050	Support, exhaust pipe, No.2 (from Frame No. FJ45-24186)	1	45V. LV
YA	17573-60010	Bracket, exhaust pipe Support, No.3 (from Frame No. FJ45-24186)	1	45V. LV
AB	90461-23087	Clamp (from Frame No. FJ45-24186)	1	45V. LV
AC	91111-40840	Bolt (hex-hd. 8—1.25p×40)	2	
AD	91111-40828	Bolt (hex-hd. 8—1.25p×28)	1	
AE	90117-08007	Bolt, "U"—(from Frame No. FJ45-24186)	1	45V. LV
AF	90917-04007	Clamp, exhaust pipe (from Frame No. FJ45-24186)	1	45V. LV
AG	94612-10800	Washer, plate (8×1.6)	4	45V. LV

★ Old Part

ENGINE

FUEL GROUP

FIG.—10 FUEL TANK & BAND (FJ45V, 45LV)—Old

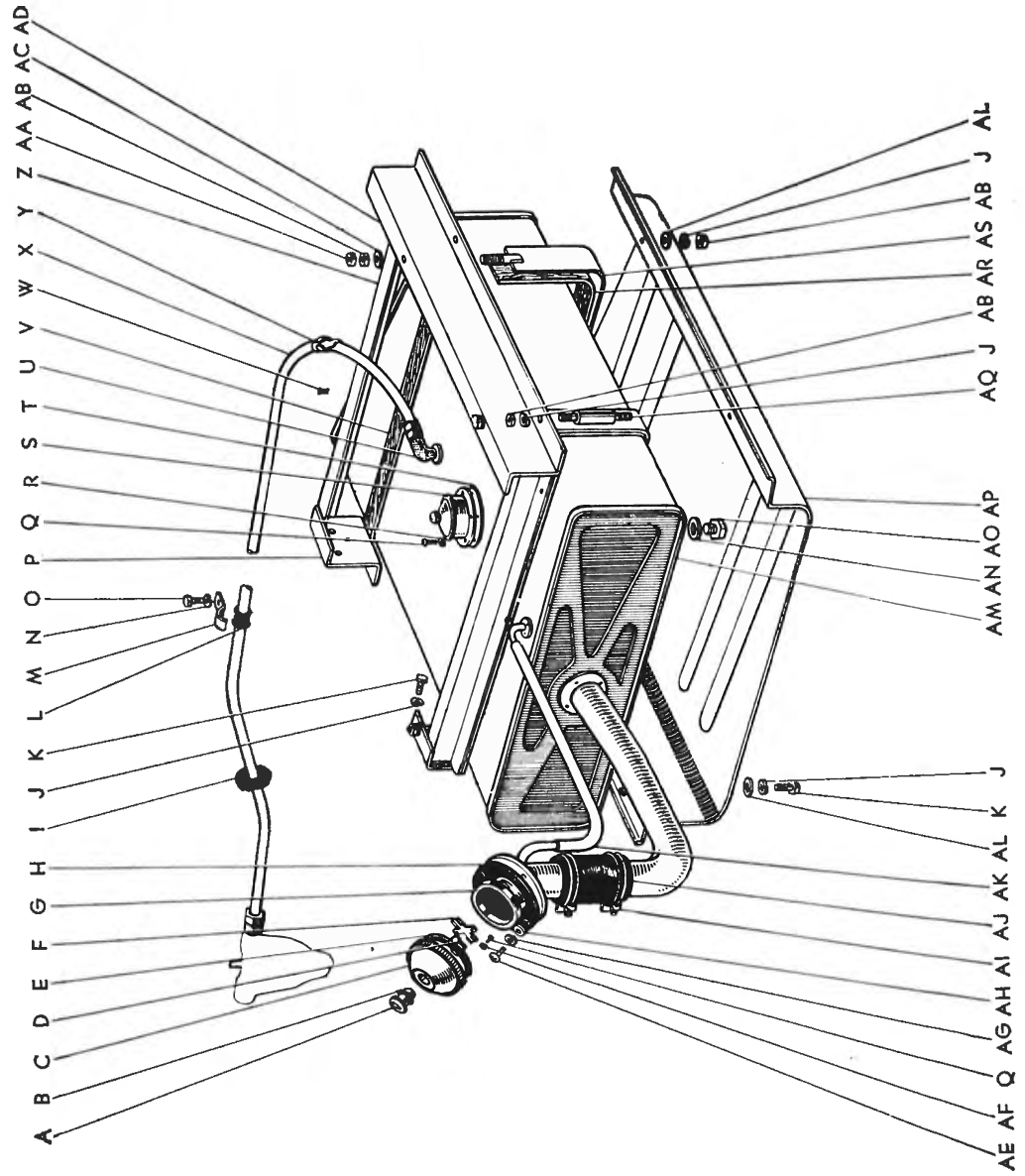
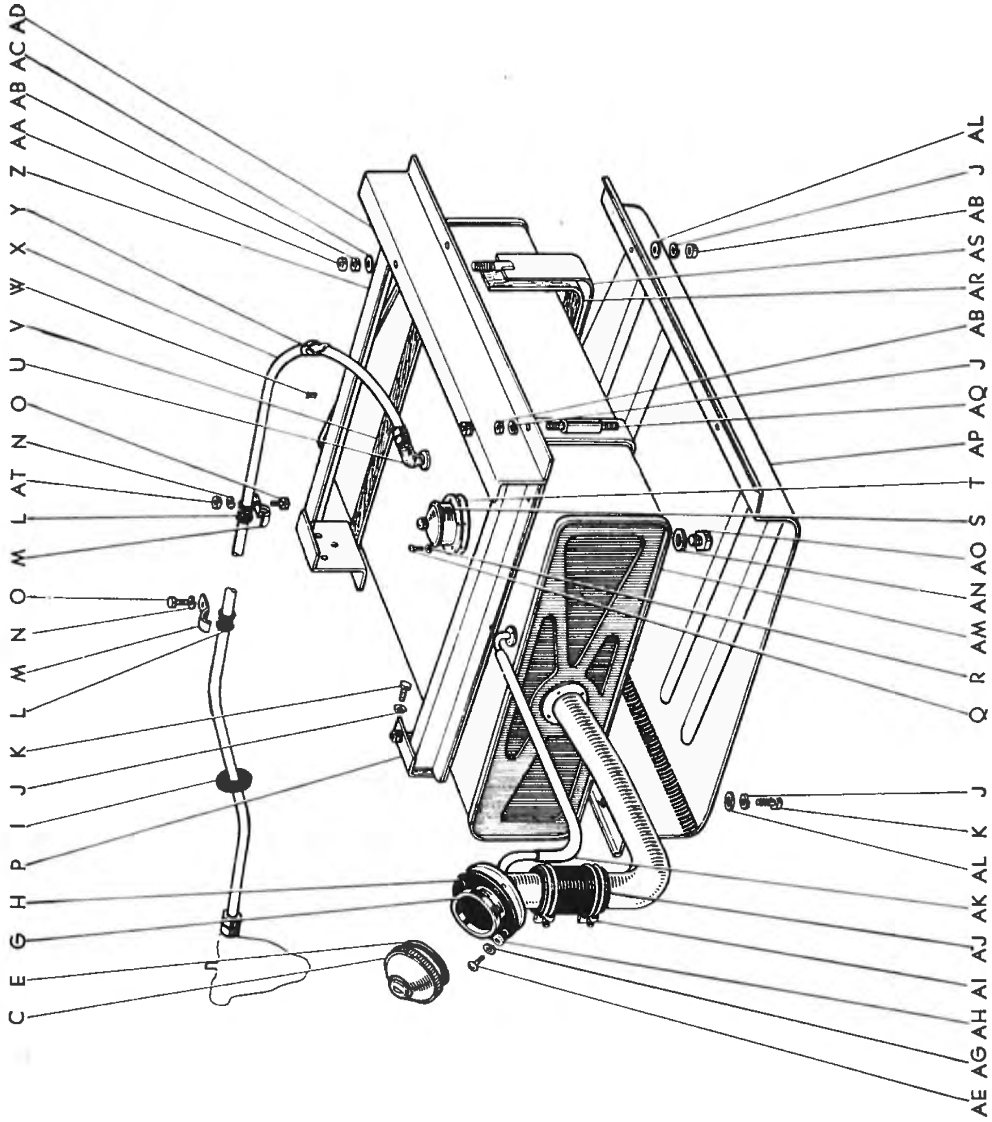
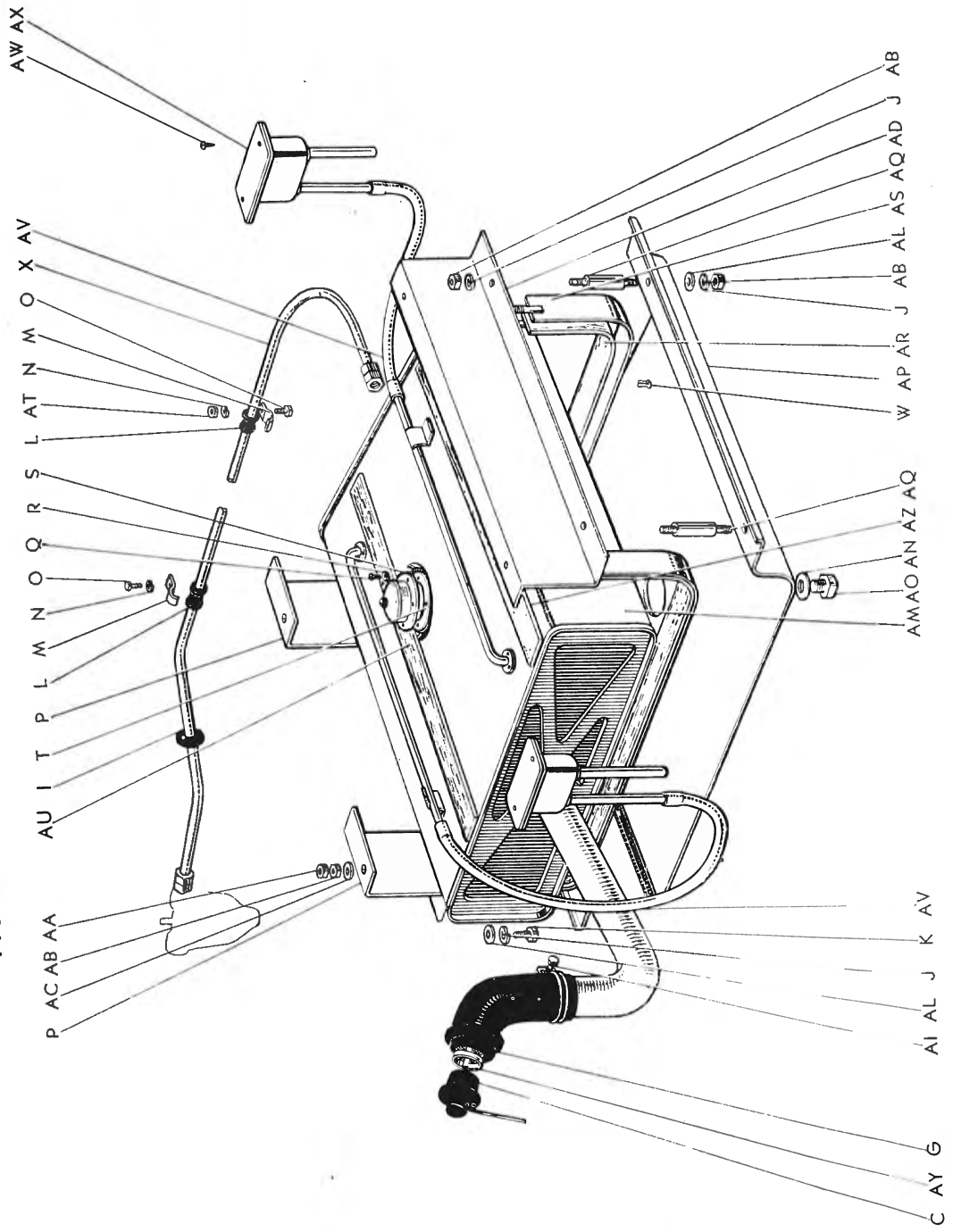


FIG.—10(a) FUEL TANK & BAND (FJ45V, 45LV)—Old



F 0083-A

FIG.—10(b) FUEL TANK & BAND (FJ45V, 45LV)



Toyota Land Cruiser

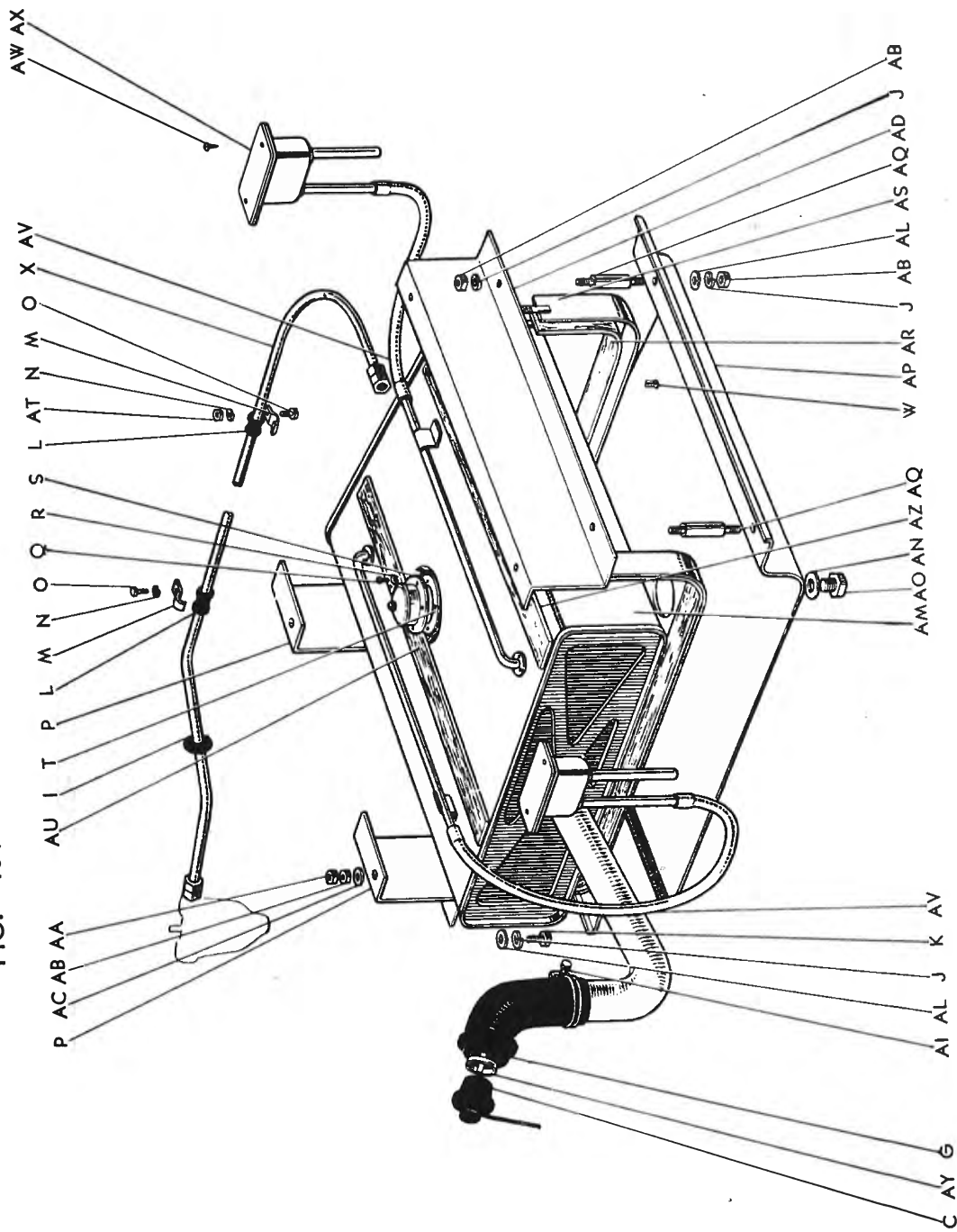
27

ILLUSTRATION	PART NO.	NOMENCLATURE	P E R VEHICLE	MODEL
Fuel Tank & Band (FJ45V, 45LV)				
		(Fig. 10)		
A	77330-60010*	Lock assy, fuel tank cap	1	40V. LV. 45V. LV
B	90430-34053*	Gasket	1	40V. LV. 45V. LV
C	77310-60040	Cap assy, fuel tank (w/ key) (includes illustrations—A, B, D~F, Q, AF of Fig.—10)	1	40V. LV. 45V. LV
D	77314-60010*	Plate, fuel tank cap lock	1	40V. LV. 45V. LV
E	90430-40059	Gasket	1	40V. LV. 45V. LV
F	77313-60010*	Plate, fuel tank cap retainer	1	40V. LV. 45V. LV
G	77201-92001	Pipe sub-assy, fuel tank inlet upper	1	45V. LV
H	77293-60010	Packing, fuel tank outer inlet pipe	1	45V. LV
I	90480-58059	Grommet	1	40V. LV. 45V. LV
J	94511-00800	Washer, spring (3)	12	
K	91111-40816	Bolt (hex-hd. 8—1.25p×16)	8	
L	90385-12022	Bushing (For fuel hose clamp)	2 (old=1)	40V. LV. 45V. LV
M	90462-12024	Clamp	2 (old=1)	40V. LV. 45V. LV
N	94512-00600	Washer, spring (6)	2 (old=1)	
O	91111-40616	Bolt (hex-hd. 6—1.0p×16)	2 (old=1)	
P	52411-92000	Bracket, gasoline tank set, RH	2 (old=1)	45V. LV
	★52412-92000	Bracket, gasoline tank set, LH (up to Frame No. FJ45-22535)	1	45V. LV
Q	93210-14010	Screw (rd-hd. 4—0.75p×10)	5 (old=7)	
R	94511-00400	Washer, spring (4)	5	
S	83320-35010	Gage assy, fuel sender	1	45V. LV
T	83361-20010	Gasket, fuel tank gage	1	40V. LV. 45V. LV
U	77206-92000	Tube sub-assy, fuel suction	1	45V. LV
V	77613-92000	Shim, fuel tank, upper	2	45V. LV
W	77653-35010	Clamp, fuel tank band shim	14	40V. LV. 45V. LV
X	77208-92000	Pipe sub-assy, fuel	1	45V. LV
Y	90463-08049	Clamp	1	45V. LV
Z	52413-92000	Frame, fuel tank set, front	2	45V. LV
AA	94120-40800	Nut (hex. 8—1.25p)	4	
AB	94110-40800	Nut (hex. 8—1.25p)	8	
AC	94612-10800	Washer, plate (8×1.6)	4	
AD	★52414-92000	Frame, fuel tank set, rear (up to Frame No. FJ45-22535)	1	45V. LV
	52414-92001	Frame, fuel tank set, rear	1	45V. LV

↓ ★ Old Part

FUEL

FIG.—10(b) FUEL TANK & BAND (FJ45V, 45LV)



Toyota Land Cruiser

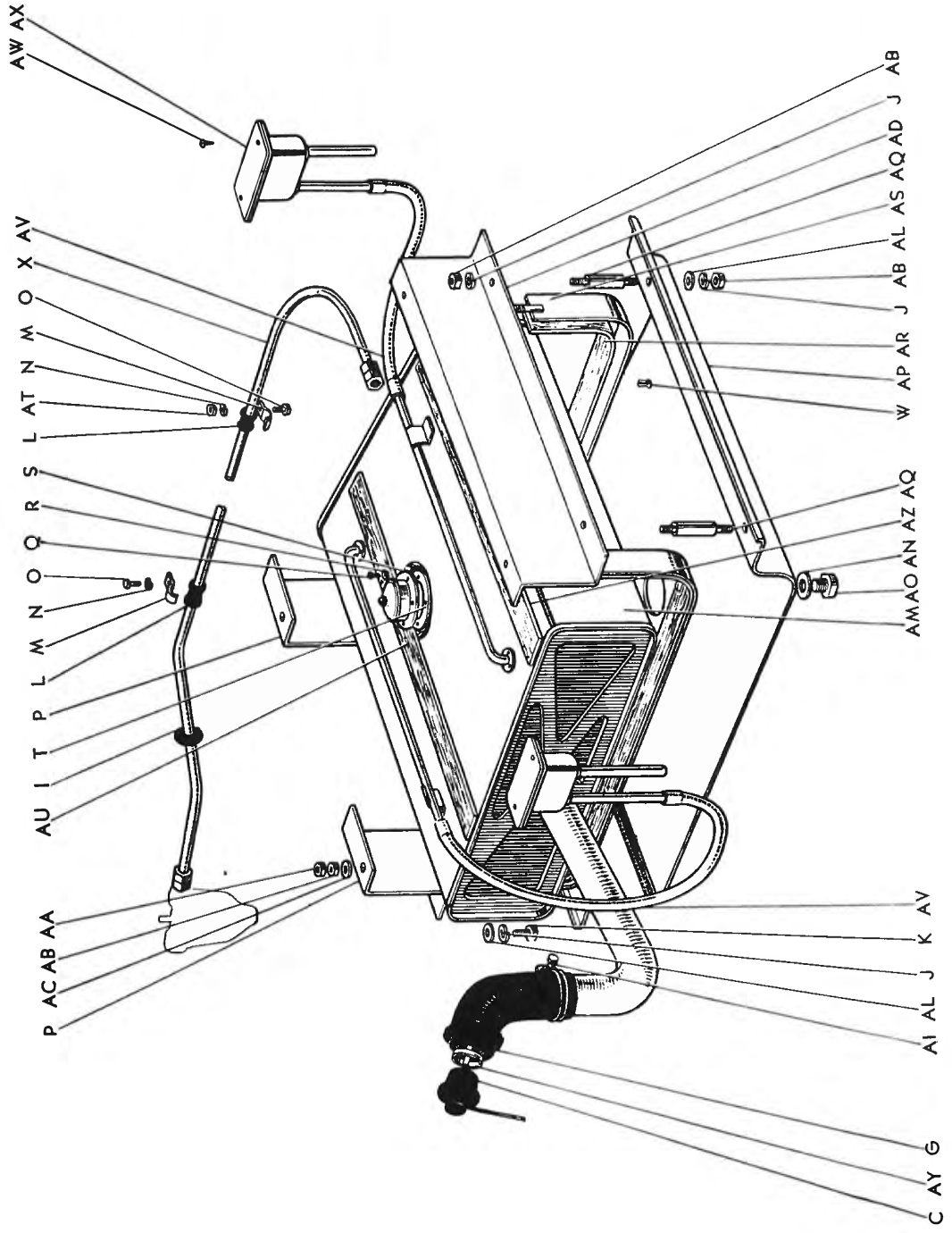
29

DESIGNATION	PART NO.	NOMENCLATURE	P E R VEHICLE	MODEL
				(Fig. 10)
UJ	★77206-92000	Tube sub-assy, fuel suction (up to Frame No. FJ45-24185)	1	45V. LV
	★77613-92000	Shim, fuel tank, upper (up to Frame No. FJ45-24185)	2	45V. LV
V	77653-35010	Clamp, fuel tank band shim	14	40V. LV, 45V. LV
X	★77208-92000	Pipe sub-assy, fuel (up to Frame No. FJ45-24185)	1	45V. LV
	77208-92001	Pipe sub-assy, fuel	1	45V. LV
	★90463-08049	Clamp (up to Frame No. FJ45-24185)	1	45V. LV
Z	★52413-92000	Frame, fuel tank set, front (up to Frame No. FJ45-24185)	2	45V. LV
AA	94120-40800	Nut (hex. 8—1.25p)	4	
B	94110-40800	Nut (hex. 8—1.25p)	8	
AC	94612-10800	Washer, plate (8×1.6)	4	
AD	★52414-92000	Frame, fuel tank set, rear (up to Frame No. FJ45-22535)	1	45V. LV
	52414-92001	Frame, fuel tank set, rear	1	45V. LV
AE	93210-16010	Screw (rd-hd. 6—1.0p×10)	4	
AF	★94511-00400	Washer, spring (4)	2	
G	94511-00600	Washer, spring (6)	4	
H	94613-10600	Washer, plate (6×1.0)	4	
AI	90460-66017	Clamp assy, fuel tank inlet pipe rubber—(up to Frame No. FJ45-24185=2)	1	45V. LV
J	77222-92900	Rubber, fuel tank inlet pipe	1	45V. LV
AK	★77223-92000	Pipe, fuel tank breather vinyl (up to Frame No. FJ45-22535)	1	45V. LV
	77223-92001	Pipe, fuel tank breather vinyl	1	45V. LV
L	94612-10800	Washer, plate (8×1.6)	2	
AM	★77001-60030	Tank sub-assy, fuel—(up to Frame No. FJ45-22535) (includes illustrations—AN, AO of Fig.—10)	1	45V. LV
	★77001-60031	Tank sub-assy, fuel—(up to Frame No. FJ45-24185)	1	45V. LV
	77001-60032	Tank sub-assy, fuel	1	45V. LV
AN	90430-12038	Gasket	1	45V. LV
AO	90105-12005	Bolt, washer based head hexagon	1	45V. LV
AP	★77621-92000	Protector, fuel tank (up to Frame No. FJ45-24185)	1	45V. LV
	77621-92001	Protector, fuel tank	1	45V. LV
AQ	★77623-92000	Bolt, fuel tank protector set (up to Frame No. FJ45-24185)	2	45V. LV
	77623-92001	Bolt, fuel tank protector set	2	45V. LV

↕ ★ Old Part

FUEL

FIG.—10(b) FUEL TANK & BAND (FJ45V, 45LV)



Toyota Land Cruiser

31

US- PART NO.	NOMENCLATURE	P E R VEHICLE	MODEL
FIG. 10)			
AR ★77614-92000	Shim, fuel tank, lower (up to Frame No. FJ45-24185)	2	45V. LV
77614-92001	Shim, fuel tank, lower	2	45V. LV
AS ★77601-92000	Band sub-assy, fuel (up to Frame No. FJ45-24185)	2	45V. LV
77601-92001	Band sub-assy, fuel	2	45V. LV
AT 94110-40600	Nut (hex.6—1.0p)	1	
AJ 77615-92001	Shim, fuel tank upper (from Frame No. FJ45-24186)	1	45V. LV
AV 77223-92002	Pipe, fuel tank breather vinyl, RH (from Frame No. FJ45-24186)	1	45V. LV
77224-92000	Pipe, fuel tank breather vinyl, LH (from Frame No. FJ45-24186)	1	45V. LV
AW 93510-13516	Screw, tapping	4	
AX 77204-92000	Piece sub-assy, breather tube joint (from Frame No. FJ45-24186)	2	45V. LV
AY 77014-92000	Strainer sub-assy, fuel OPT (from Frame No. FJ45-24186)	1	45V. LV
AZ 77616-92001	Shim, fuel tank upper, rear (from Frame No. FJ45-24186)	1	45V. LV

★ Old Part

FUEL

CHASSIS GROUP

CLUTCH PEDAL & BRAKE PEDAL (FJ45V, 45LV)—Old

(from Frame No. FJ40-10001, FJ42-10001, FJ45-10001)

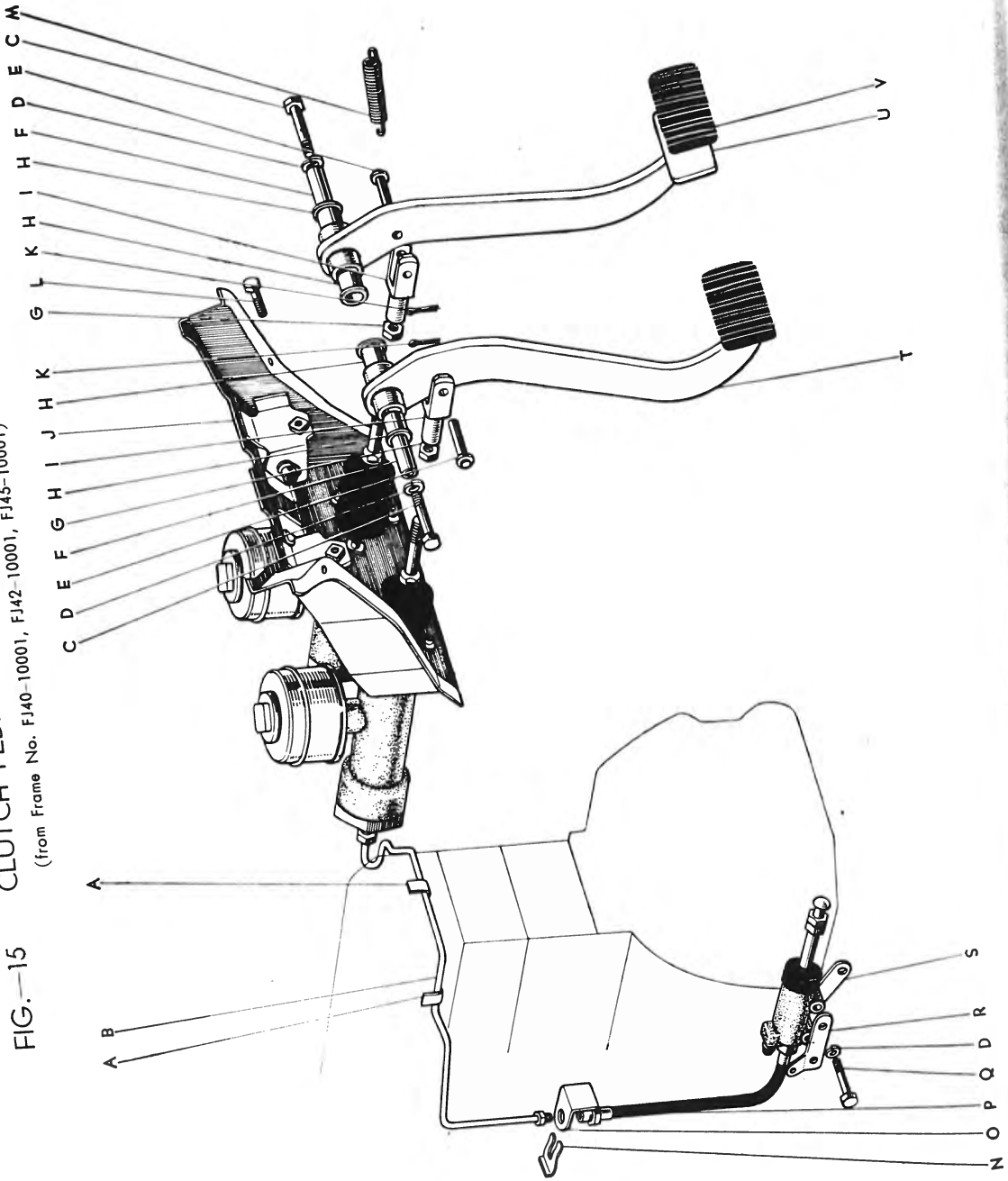
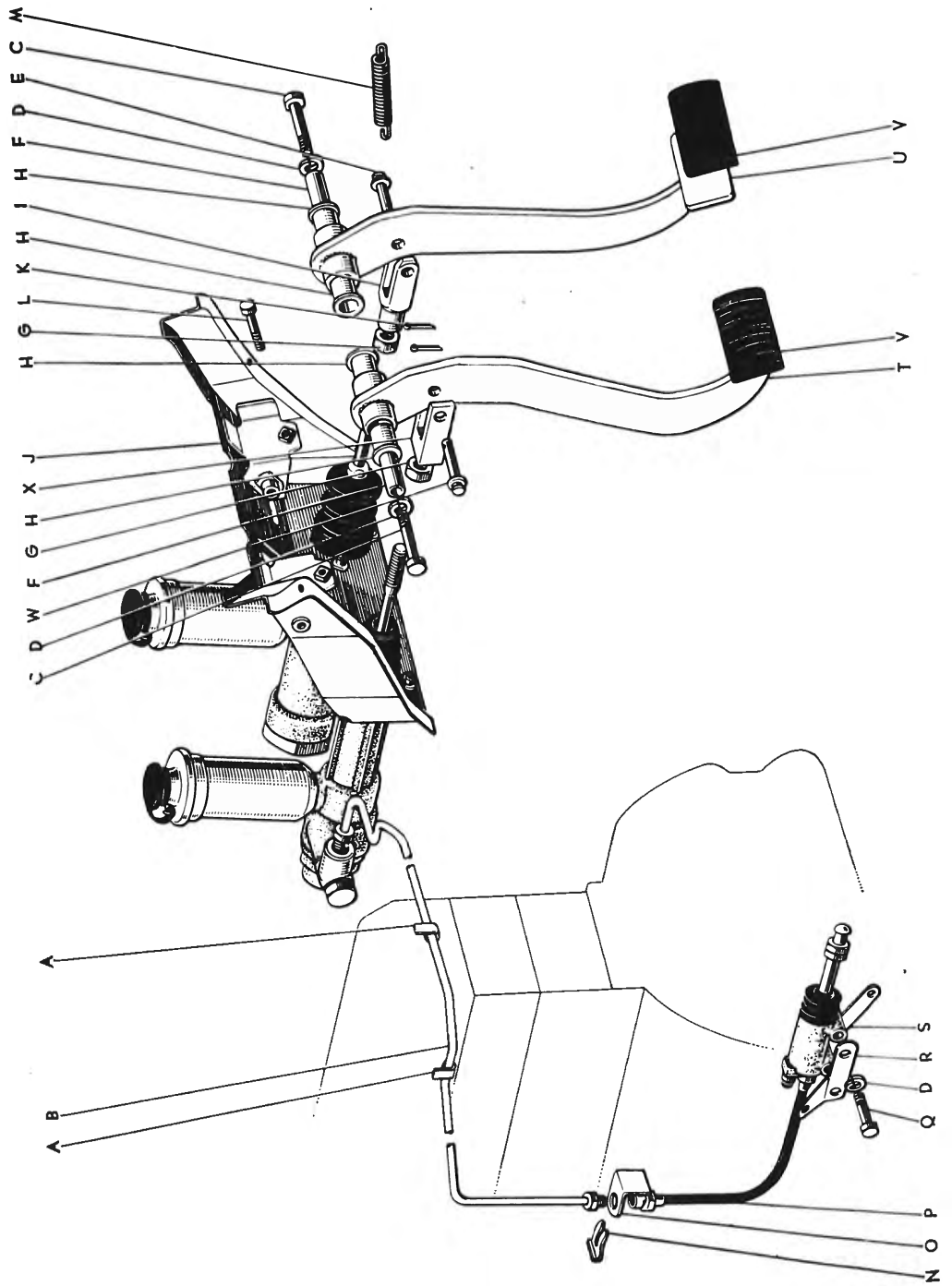


FIG.—15

FIG.—15(a) CLUTCH PEDAL & BRAKE PEDAL (FJ45V, 45LV)
(from Frame No. FJ40-46111, FJ45-28173)



Toyota Land Cruiser

41

ILLUS- TRATION	PART NO.	NOMENCLATURE	P E R VEHICLE	MODEL
-------------------	----------	--------------	------------------	-------

Clutch Pedal & Brake Pedal (FJ45V, 45LV)

(3.15)				
A	90463-10045	Clamp	2	40V 45V
B	★31481-60020	Tube, master cylinder to flexible hose	1	40V 45V
	31481-60021	Tube, master cylinder to flexible hose-①②	1	40V 45V
	★31481-60030	Tube, master cylinder to flexible hose	1	LV LV
	31481-60031	Tube, master cylinder to flexible hose-①②	1	LV LV
C	91121-51071	Bolt (hex-hd. 10-1.25p×71)	2	
D	94512-01000	Washer, spring (10)	4	
E	90249-10002	Pin	1	40V. LV. 45V. LV
		(up to Frame No. FJ40-46110, FJ45-28172=2)		
F	90387-10004	Collar	2	40V. LV. 45V. LV
G	94120-41000	Nut (hex. 10-1.25p)	2	
H	90386-13007	Bushing	4	40V. LV. 45V. LV
I	47264-35010	Clevis, master cylinder push rod	1	40V. LV. 45V. LV
		(up to Frame No. FJ40-46110, FJ45-28172=2)		
J	55901-92000	Bracket sub-assy, pedal	1	45V
	55901-92170	Bracket sub-assy, pedal	1	LV
K	95381-03020	Pin, cotter	2	
L	91111-41025	Bolt (hex-hd. 10-1.25p×25)	1	
M	90506-12023	Spring, tension	2	40V. LV. 45V. LV
N	90468-08001	Clip	1	40V. LV. 45V. LV
O	31484-60010	Bracket, flexible hose	1	40V. LV. 45V. LV
P	90947-02006	Hose, flexible	1	40V. LV. 45V. LV
Q	91111-41056	Bolt (hex-hd. 10-1.25p×56)	2	
R	31238-60020	Hanger, release fork retracting spring	1	40V. LV. 45V. LV
S	31479-60010	Support, release cylinder	1	40V 45V
	31479-60020	Support, release cylinder	1	LV LV
T	31301-60020	Pedal sub-assy, clutch	1	40V. LV. 45V. LV
U	47101-60020	Pedal sub-assy, brake	1	40V 45V
	47101-60030	Pedal sub-assy, brake	1	LV LV
V	31321-61010	Pad, pedal	2	40V. LV. 45V. LV
W	90249-10018	Pin(For clutch pedal)-①②	1	40V. LV. 45V. LV
X	31453-30011	Clevis, master cylinder push rod-①②	1	40V. LV. 45V. LV

★ Old Part

① from Frame No. FJ40-46111 ② from Frame No. FJ45-28173

CHASSIS

FIG.—16 PROPELLER SHAFT & UNIVERSAL JOINT (F145V, 45LV)—Old

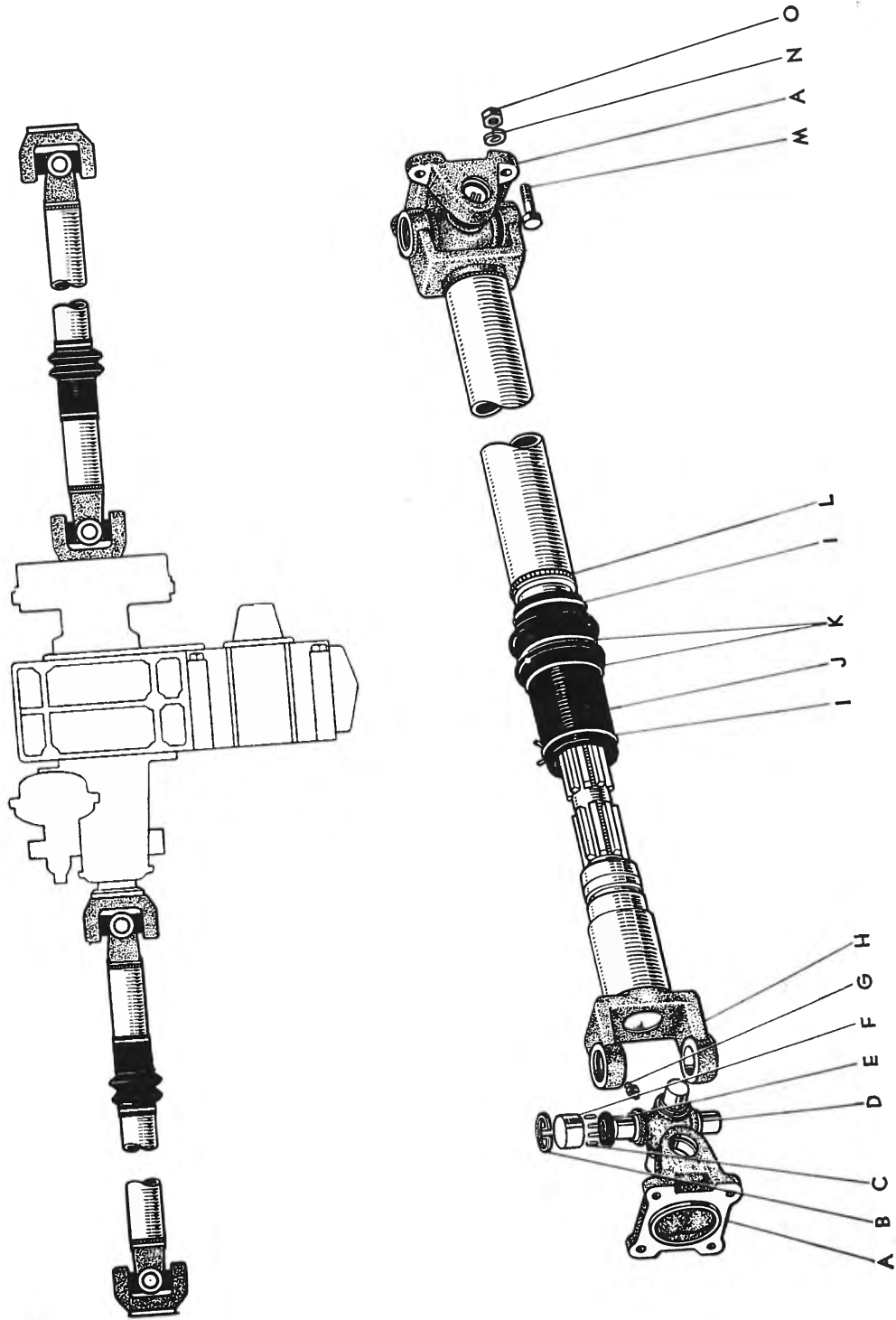
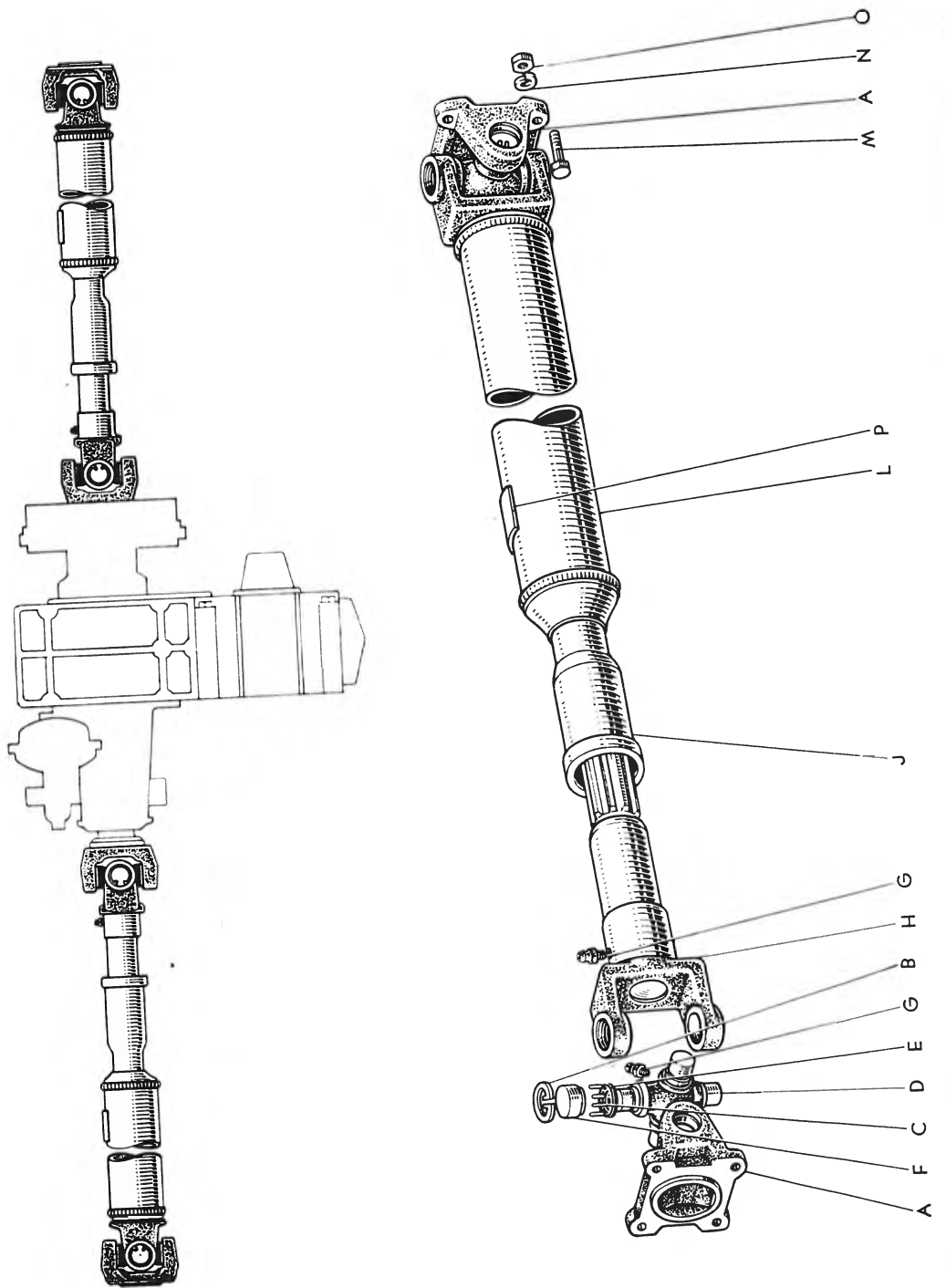


FIG.—16(a) PROPELLER SHAFT & UNIVERSAL JOINT (FJ45V, 45LV)



Toyota Land Cruiser

43

LUS- RATION	PART NO.	NOMENCLATURE	P E R VEHICLE	MODEL
----------------	----------	--------------	------------------	-------

Propeller Shaft & Universal Joint (FJ45V, 45LV)

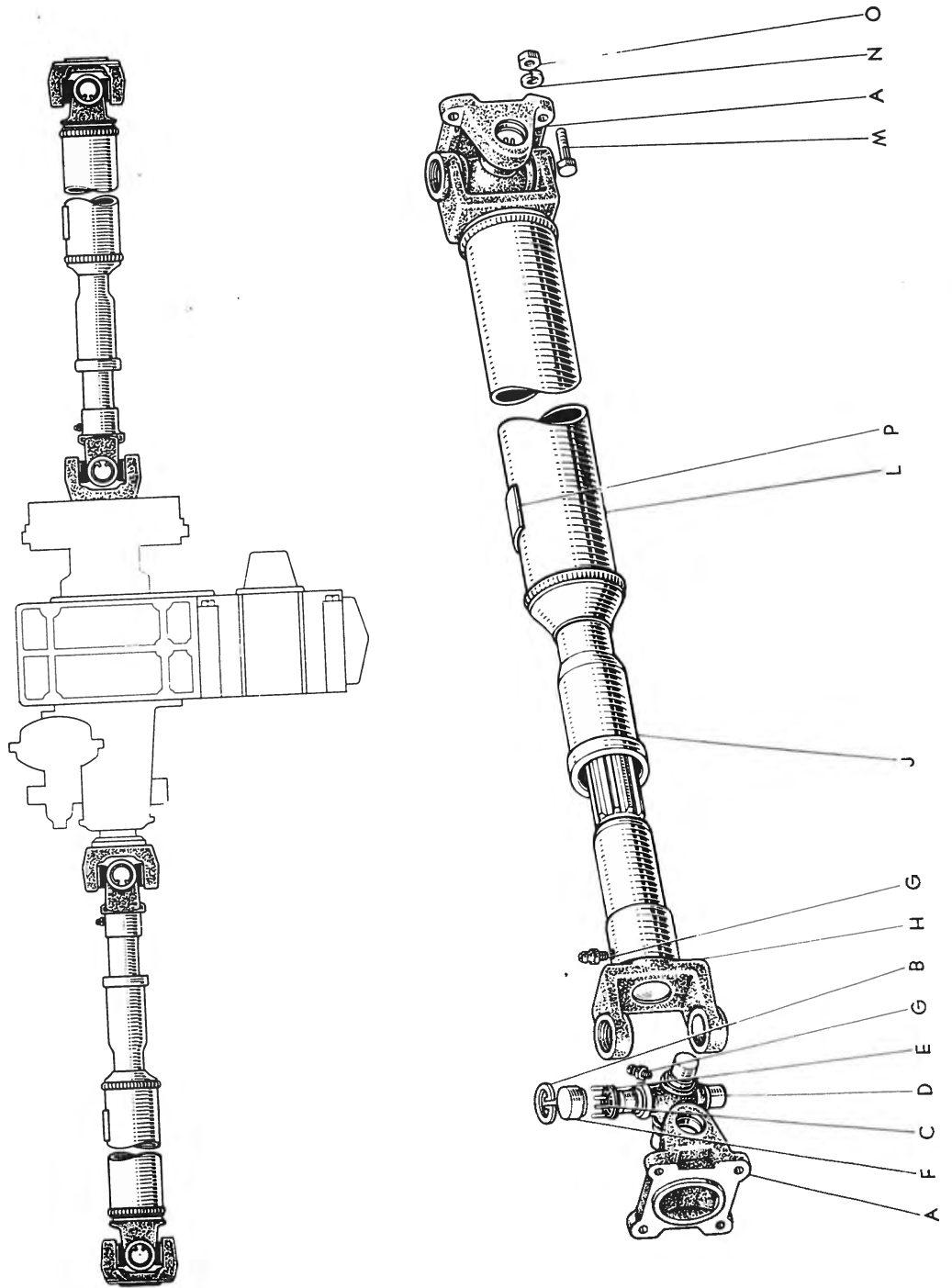
(FIG.16)

	04371-60010	Spider kit, universal joint (includes illustrations—B~G of Fig.—16)	1	40V. LV. 45V. LV
	*37140-60010	Shaft assy, propeller, front (up to Frame No. FJ45-22516) (includes illustrations—A~L of Fig.—16)	1	40V. LV. 45V. LV
	37140-60011	Shaft assy, propeller, front (includes illustrations—A~H, J, L, P of Fig.—16)	1	40V. LV. 45V. LV
	*37110-60030	Shaft assy, propeller, rear (up to Frame No. FJ45-22516)	1	45V. LV
	37110-60031	Shaft assy, propeller, rear	1	45V. LV
A	37315-60010	Yoke, universal joint, flange	4	40V. LV. 45V. LV
B	90521-31038*	Ring, hole snap	} Optional specifications -(Replaced by 37402-60020 or 37402-60030)	16
	90521-31039*	Ring, hole snap		
	90521-31040*	Ring, hole snap		
	90521-31041*	Ring, hole snap		
C	90361-03023*	Roller—(Replaced by or 37402-60020 or 37402-60030)	384	40V. LV. 45V. LV
D	37411-60020	Spider, universal joint	4	40V. LV. 45V. LV
E	37343-60010	Seal, universal joint spider bearing	16	40V. LV. 45V. LV
F	37402-60020	Bearing, universal joint spider	} Optional specifications	16
	37402-60030	Bearing, universal joint spider (includes illustrations—C, E of Fig.—16)		
G	96451-00600	Fitting, grease, small	6 (old=4)	40V. LV. 45V. LV
	*37410-60020	Joint assy, universal, w/yoke (up to Frame No. FJ45-22516) (includes illustrations—A~H of Fig.—16)	2	40V. LV. 45V. LV
	37410-60021	Joint assy, universal, w/yoke	2	40V. LV. 45V. LV
H	*37302-60010	Yoke sub-assy, universal joint slide (up to Frame No. FJ45-22516)	2	40V. LV. 45V. LV
	37302-60011	Yoke sub-assy, universal joint slide	2	40V. LV. 45V. LV
I	*90467-41023	Clip—(up to Frame No. FJ45-22516)	4	40V. LV. 45V. LV
J	*37334-60010	Boot, sliding shaft—(up to Frame No. FJ45-22516)	2	40V. LV. 45V. LV
	37305-25010	Cover sub-assy, sliding shaft dust	2	40V. LV. 45V. LV
K	*37335-60010	Ring, sliding shaft boot—(up to Frame No. FJ45-22516)	4	40V. LV. 45V. LV

★ Old Part

CHASSIS

FIG.—16(a) PROPELLER SHAFT & UNIVERSAL JOINT (FJ45V, 45LV)



Toyota Land Cruiser

45

PLUS-RATION	PART NO.	NOMENCLATURE	P E R VEHICLE	MODEL
	★37180-60010	Shaft sub-assy, propeller, front, w/universal joint (up to Frame No. FJ45-22516) (includes illustrations—A~G, L of Fig.—16)	1	40V. LV. 45V. LV
	37180-60011	Shaft sub-assy, propeller, front, w/universal joint	1	40V. LV. 45V. LV
	★90937-01016	Piece, balance (30g.)	0~2	40V. LV. 45V. LV
	★90937-01017	Piece, balance (20g.)		
	★90937-01018	Piece, balance (10g.)		
	★90937-01019	Piece, balance (5g.) (up to Frame No. FJ45-22516)		
	★37170-60030	Shaft sub-assy, propeller, rear, w/universal joint (up to Frame No. FJ45-22516)	1	45V. LV
	37170-60031	Shaft sub-assy, propeller, rear, w/universal joint	1	45V. LV
L	★37104-60010	Shaft sub-assy, propeller, front (up to Frame No. FJ45-22516)	1	40V. LV. 45V. LV
	37104-60011	Shaft sub-assy, propeller, front	1	40V. LV. 45V. LV
	★37101-60030	Shaft sub-assy, propeller, rear (up to Frame No. FJ45-22516)	1	45V. LV
	37101-60031	Shaft sub-assy, propeller, rear	1	45V. LV
M	90101-08072	Bolt, hexagon	12	40V. LV. 45V. LV
N	94512-00800	Washer, spring (8)	16	
O	94110-40800	Nut (hex. 8—1.25p)	16	
P	90937-01022	Piece, balance (5g.)	0~2	40V. LV. 45V. LV
	90937-01010	Piece, balance (10g.)		
	90937-01011	Piece, balance (20g.)		
	90937-01012	Piece, balance (30g.) (from Frame No. FJ45-22517)		

★ Old Part

CHASSIS

FIG.—17 REAR AXLE HOUSING & DIFFERENTIAL (FJ45V, 45LV)



C 1490-A

ILLU
TRA

(FIG. 17)
A
B
C
D
E
F
G
H
I
J
K
L
M
N
O
P
Q
R
S
T
U
V
W
X
Y
Z

Toyota Land Cruiser

47

ILLUS- TRATION	PART NO.	NOMENCLATURE	P E R VEHICLE	MODEL
-------------------	----------	--------------	------------------	-------

Rear Axle (FJ45V, 45LV)

42100-60050	Axle assy, rear (For gear ratio 4.11:1) <small>(includes illustrations—G, I~T, Y~BJ of Fig.—17 and illustration —T of Fig.—18 of this supplement, illustrations—A~J, N of Fig.—73 and illustrations—A~AD of Fig.—86 in Parts Catalog Model FJ40.)</small>	1		45V. LV
42100-60060	Axle assy, rear (For gear ratio 3.7:1, STD)	1		45V. LV

Rear Axle Housing & Differential

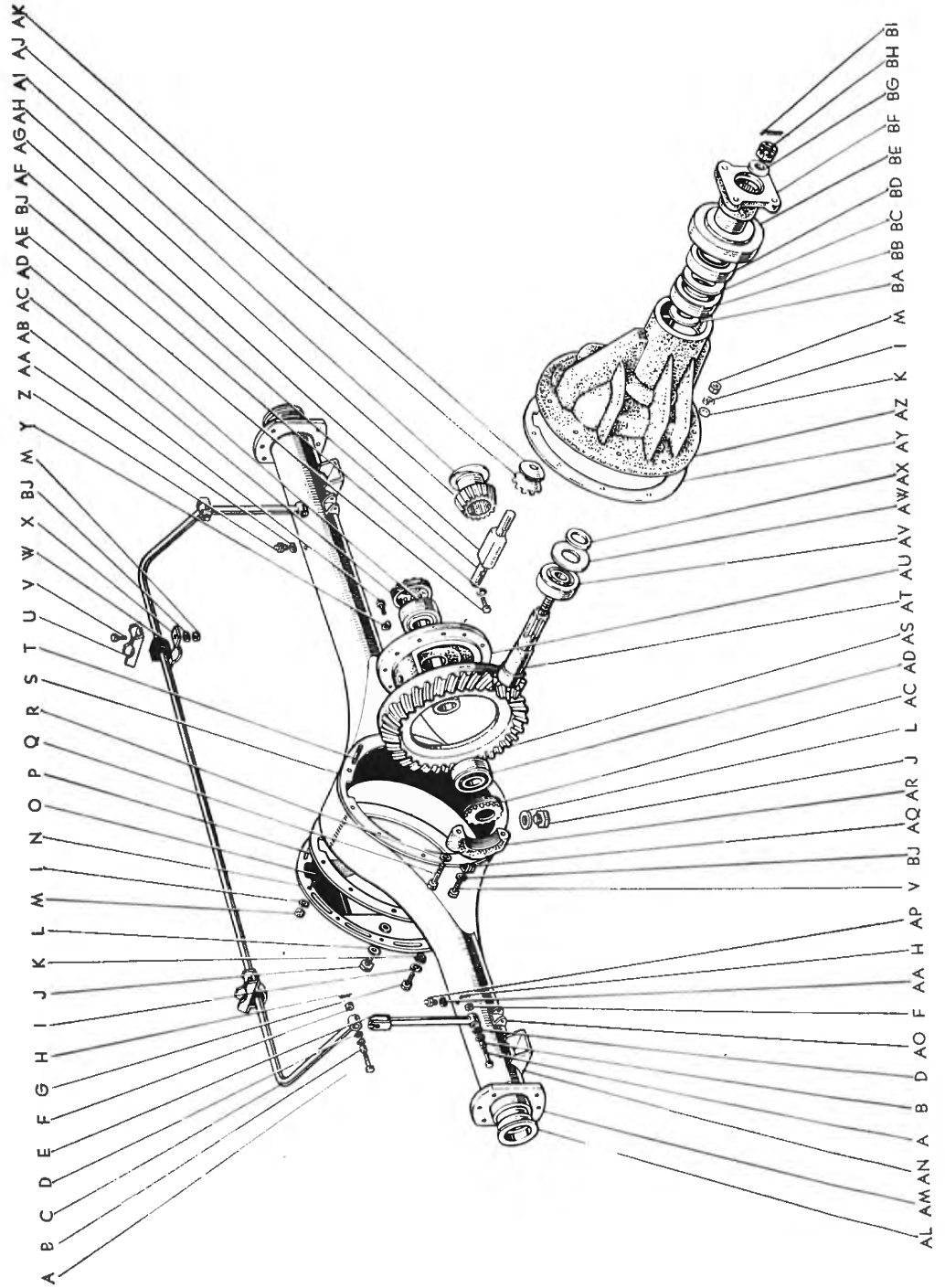
(FIG.17)

A	48827-30010	Rod, stabilizer end link	4		45V. LV
B	48819-30010	Piece, stabilizer bushing	1		45V. LV
C	48812-60010	Bar, stabilizer, rear	1		45V. LV
D	90385-11021	Bushing	4		45V. LV
E	48802-60010	Link sub-assy, stabilizer	2		45V. LV
F	94141-41000	Nut (hex. 10—1.25p)	4		45V. LV
G	★91111-40820	Bolt (hex-hd. 8—1.25p×20)—(up to Frame No. FJ45 23045)	8		
	91111-41020	Bolt (hex-hd. 10—1.25p×20)	8		
H	95381-02025	Pin, cotter	4		
I	★94512 00800	Washer, spring (8)—(up to Frame No. FJ45 23045)	20		
	94512-01000	Washer, spring (10)	20		
J	90341-18014	Plug, w head straight screw	2		40V. LV. 45V. LV
K	★94711-90800	Washer, seal—(up to Frame No. FJ45-23045)	14		
L	90430-18012	Gasket (For drain plug)	2		40V. LV. 45V. LV
M	★94110-40800	Nut (hex. 8—1.25p)—(up to Frame No. FJ45 23045)	16		
	94110-41000	Nut (hex. 10—1.25p)	16		
N	★42109-60010	Cover sub-assy, rear axle housing <small>(up to Frame No. FJ45 23045)</small>	1		40V. LV. 45V. LV
	42109-35020	Cover sub-assy, rear axle housing	1		40V. LV. 45V. LV
O	★90116 08012	Bolt, stud (up to Frame No. FJ45 23045)	2		40V. LV. 45V. LV
	90116-10107	Bolt, stud	2		40V. LV. 45V. LV
P	★42183 60010	Gasket rear axle housing cover <small>(up to Frame No. FJ45 23045)</small>	1		40V. LV. 45V. LV
	42183-35010	Gasket, rear axle housing cover	1		40V. LV. 45V. LV

3 ★ Old Part

CHASSIS

FIG.—17 REAR AXLE HOUSING & DIFFERENTIAL (FJ45V, 45LV)



Toyota Land Cruiser

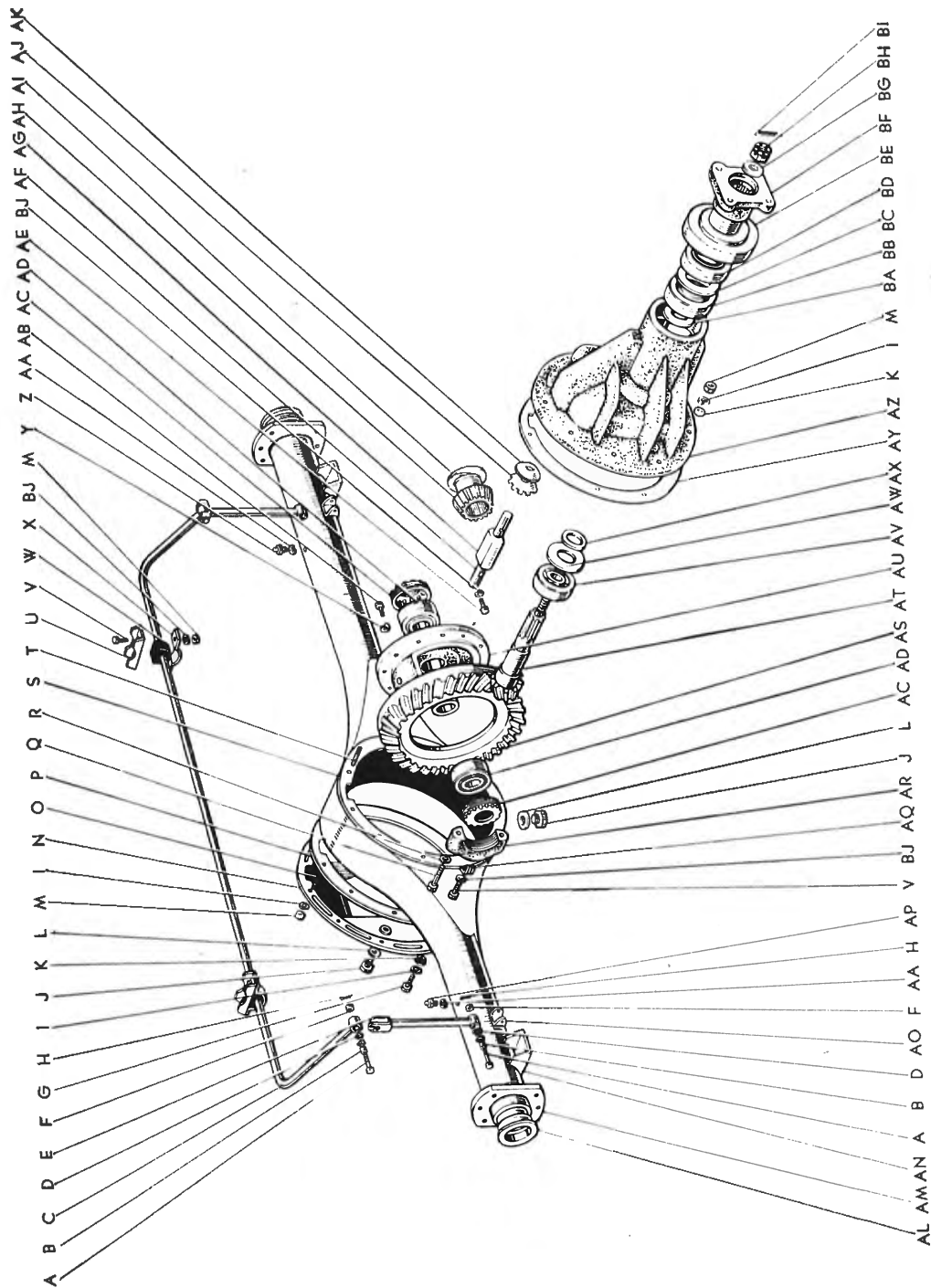
49

ILLUS- TRATION	PART NO.	NOMENCLATURE	P E R VEHICLE	MODEL
FIG.17)				
Q	41114-35010	Bolt, differential bearing cap	4	40V. LV. 45V. LV
R	94512-01200	Washer, spring (12)	4	
S	42110-60030	Housing assy, rear axle (includes illustrations—AL~AN of Fig.—17)	1	45V. LV
	42101-60902	Housing sub-assy, rear axle (includes illustrations—AN, AO of Fig.—17)	1	45V. LV
T	★90116 08025	Bolt, stud (up to Frame No. FJ45 23045)	6	40V. LV. 45V. LV
	90116-10103	Bolt, stud	8	40V. LV. 45V. LV
	★90116 08026	Bolt, stud (up to Frame No. FJ45 23045)	4	40V. LV. 45V. LV
	90116-10104	Bolt, stud	2	40V. LV. 45V. LV
U	48824-60010	Bracket, stabilizer	2	45V. LV
V	91111-40816	Bolt (hex-hd. 8—1.25p. 16)	4	
W	48815-60010	Bushing, stabilizer	2	45V. LV
X	48823-60010	Cover, stabilizer bracket	2	45V. LV
Y	★41222 35010	Plate, ring gear set bolt	6	40V. LV. 45V. LV
	94512-01200	Washer, spring (12) (up to Frame No. FJ45 23045)	12	40V. LV. 45V. LV
Z	90930-03019	Plug, breather	1	40V. LV. 45V. LV
AA	94511-01000	Washer, spring (10)	2	
AB	★90101-10061	Bolt, hexagon (up to Frame No. FJ45 23045)	12	40V. LV. 45V. LV
	90101-12147	Bolt, hexagon	12	40V. LV. 45V. LV
AC	41315-30010	Nut, differential adjusting	2	40V. LV. 45V. LV
AD	90368-45001	Bearing	2	40V. LV. 45V. LV
AE	41343-55010	Pin, differential pinion shaft	1	40V. LV. 45V. LV
AF	41342-55010	Shaft, differential pinion	1	40V. LV. 45V. LV
AG	41344-35010	Spacer, differential pinion shaft, No.1	} Optional specifications	1 40V. LV. 45V. LV
	41345-35010	Spacer, differential pinion shaft, No.2		
	41346-35010	Spacer, differential pinion shaft, No.3		
AH	41331-55010	Gear, differential side (N 16)	2	40V. LV. 45V. LV
AI	41361-35010	Washer, differential side gear thrust (thk.=1.6)	2	40V. LV. 45V. LV
	41362-39010	Washer, differential side gear thrust (thk.=1.8)	2	40V. LV. 45V. LV
AJ	41341-55010	Pinion, differential (N 10)	2	40V. LV. 45V. LV
AK	41351-35010	Washer, differential pinion thrust (thk.=1.6)	2	40V. LV. 45V. LV
	41352-39020	Washer, differential pinion thrust (thk.=1.8)	2	40V. LV. 45V. LV
AL	42137-55010	Collar, rear axle housing side	2	40V. LV. 45V. LV
AM	42122-35010*	Flange, rear axle housing (Replaced by 42110-60030)	2	40V. LV. 45V. LV
AN	42151-60030	Seat, rear spring	2	45V. LV
AO	42171-60011	Bracket, rear stabilizer link, RH	1	45V. LV
	42172-60010	Bracket, rear stabilizer link, LH	1	45V. LV
AP	90930-03023	Plug, breather	1	40V. LV. 45V. LV
AQ	41316-30010	Lock, differential bearing adjusting nut	2	40V. LV. 45V. LV

↓ ★ Old Part

CHASSIS

FIG.—17 REAR AXLE HOUSING & DIFFERENTIAL (FJ45V, 45LV)



Toyota Land Cruiser

51

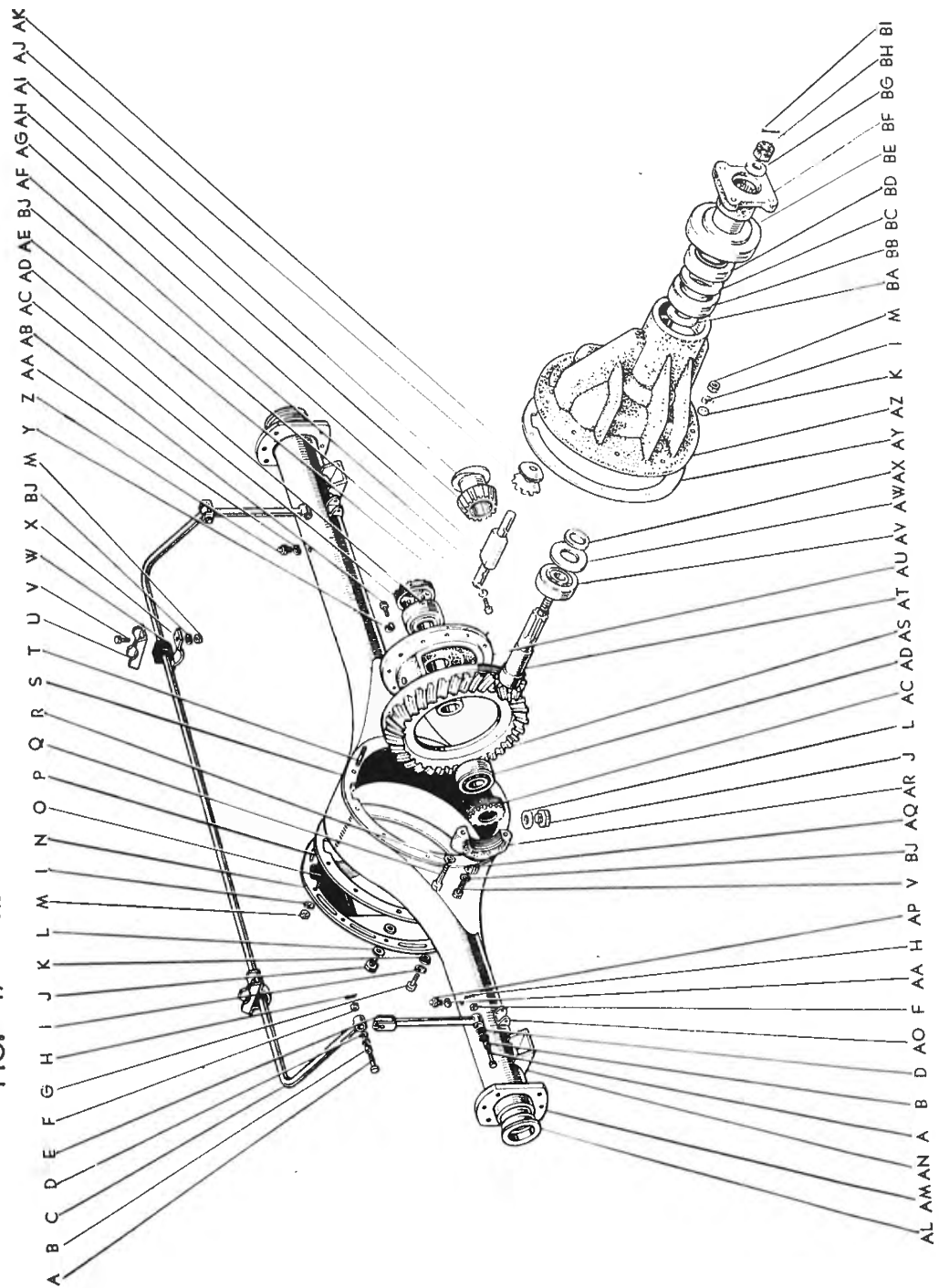
ILLUS- TRATION	PART NO.	NOMENCLATURE	P E R VEHICLE	MODEL
IG.17)				
AR	41113-35010*	Cap, differential bearing-(Replaced by 41101-60020)	2	40V. LV. 45V. LV
	★41201-60010	Ring gear & drive pinion kit, differential (up to Frame No. FJ45-23045) (For gear ratio 4.11:1) (includes illustrations—AS, AT of Fig.—17)	1	40V. LV. 45V. LV
	41201-60011	Ring gear & drive pinion kit, differential	1	40V. LV. 45V. LV
	★41201-60020	Ring gear & drive pinion kit, differential (up to Frame No. FJ45-23045) (For gear ratio 3.7:1 STD)	1	40V. LV. 45V. LV
	41201-60021	Ring gear & drive pinion kit, differential	1	40V. LV. 45V. LV
AS	★41221-60010*	Gear, differential ring (N=37) -(Replaced by 41201-60010) (For gear ratio 4.11:1)	1	40V. LV. 45V. LV
	41221-60011*	Gear, differential ring (N=37) -(Replaced by 41201-60011)	1	40V. LV. 45V. LV
	41221-60020*	Gear, differential ring (N=37) -(Replaced by 41201-60020) (For gear ratio 3.7:1)	1	40V. LV. 45V. LV
	41221-60021*	Gear, differential ring (N=37) -(Replaced by 41201-60021)	1	40V. LV. 45V. LV
AT	41211-60010*	Pinion, differential drive (N=9) -(Replaced by 41201-60010) (For gear ratio 4.11:1)	1	40V. LV. 45V. LV
	41211-60020*	Pinion, differential drive (N=10) -(Replaced by 41201-60020) (For gear ratio 3.7:1)	1	40V. LV. 45V. LV
AU	41311-35010	Case, differential	1	40V. LV. 45V. LV
AV	97610-30308	Bearing (For differential drive pinion rear)	1	40V. LV. 45V. LV
AW	90564-70101	Shim (thk.=0.25) } Shim (thk.=0.30) } Shim (thk.=0.35) } Shim (thk.=0.45) }	1~2	40V. LV. 45V. LV
	90564-70102			
	90564-70103			
	90564-70104			



★ Old Part

CHASSIS

FIG.—17 REAR AXLE HOUSING & DIFFERENTIAL (FJ45V, 45LV)



Toyota Land Cruiser

53

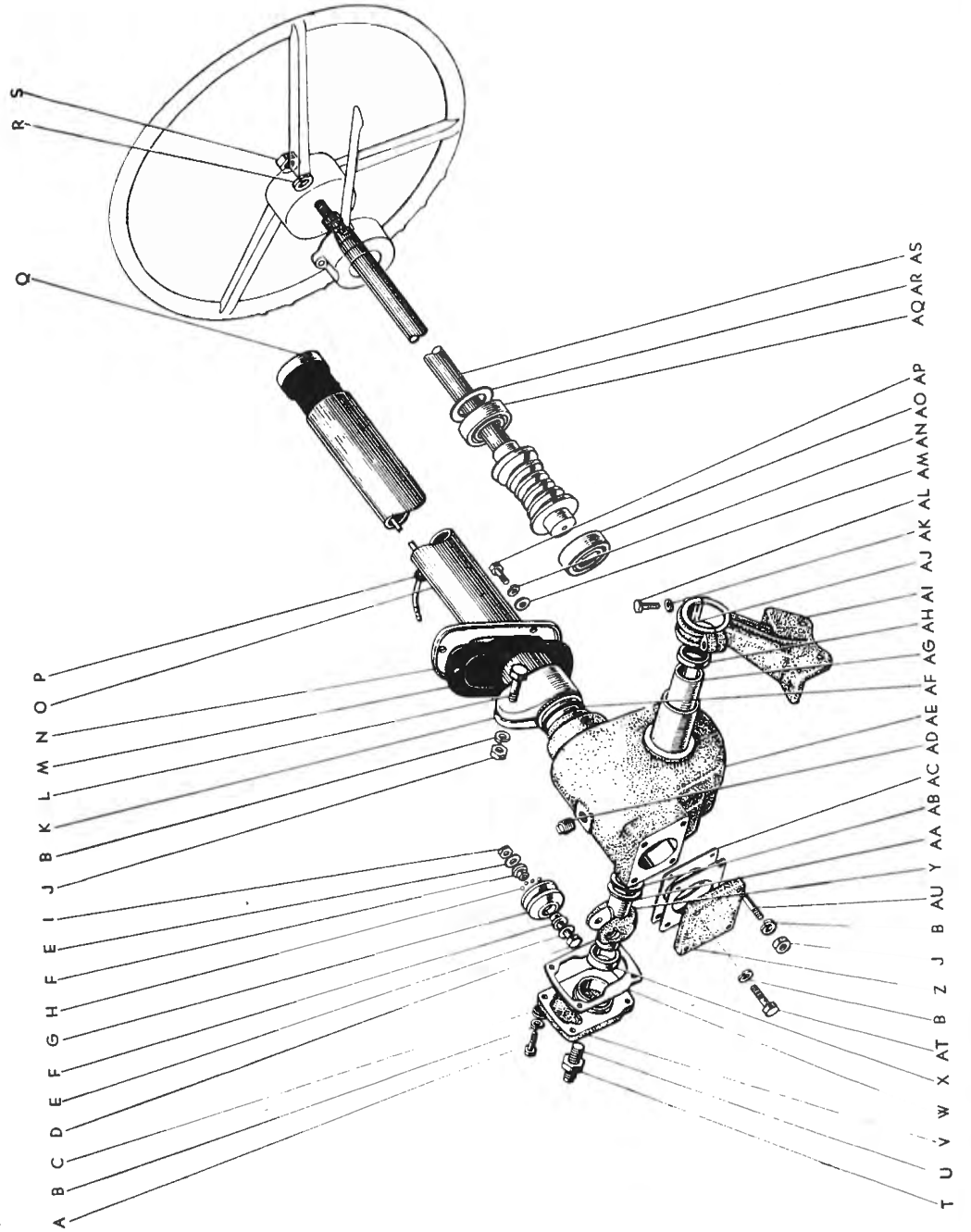
ILLUSTRATION	PART NO.	NOMENCLATURE	PER VEHICLE	MODEL
3.17)				
AX	★90560-30157	Spacer	1	40V. LV. 45V. LV
	90560-30184	Spacer (thk.=2.75)	①	
	90560-30185	Spacer (thk.=2.78)		
	90560-30186	Spacer (thk.=2.81)		
	90560-30187	Spacer (thk.=2.84)		
	90560-30188	Spacer (thk.=2.87)		
	90560-30190	Spacer (thk.=2.90)		
	90560-30191	Spacer (thk.=2.93)		
	90560-30192	Spacer (thk.=2.96)		
AY	★42181-60010	Gasket, differential carrier (thk.=0.2)	1	40V. LV. 45V. LV
	42181-36010	Gasket, differential carrier (thk.=0.2)-②	1	40V. LV. 45V. LV
	★41110-60010	Carrier assy (For gear ratio 4.11:1) (includes illustrations—1, Q, R, V, Y, AB~AD, AQ~AX, AZ~BI of Fig.—17)	1	40V. LV. 45V. LV
	41110-60011	Carrier assy (For gear ratio 4.11:1)-②	1	40V. LV. 45V. LV
	★41110-60020	Carrier assy (For gear ratio 3.7:1, STD)	1	40V. LV. 45V. LV
	41110-60021	Carrier assy (For gear ratio 3.7:1, STD)-②	1	40V. LV. 45V. LV
Z	★41101-60020	Carrier sub-assy, differential (includes illustrations—Q, R, AR of Fig.—17)	1	40V. LV. 45V. LV
	41101-60021	Carrier sub-assy, differential ②	1	40V. LV. 45V. LV
JA	★90564-30033	Shim (thk.=0.03)	1~2	
	★90564-30034	Shim (thk.=0.10)		
	★90564-30063	Shim (thk.=0.45)		
	90564-30035	Shim (thk.=0.25)	0~3	40V. LV. 45V. LV
B	97610-30306	Bearing	1	40V. LV. 45V. LV
PC	41214-30010	Slinger, drive pinion oil	1	40V. LV. 45V. LV
BD	90311-38028	Seal, type "T" oil	1	40V. LV. 45V. LV
E	37341-30010	Deflector, dust	1	40V. LV. 45V. LV
F	37324-30010	Flange, universal joint	1	40V. LV. 45V. LV
BG	90201-19117	Washer, plate	1	40V. LV. 45V. LV
GH	90171-19012	Nut, castle	1	40V. LV. 45V. LV
	95381-04030	Pin, cotter	1	
RJ	94512-00800	Washer, spring (8)	7	

Old Part

① from Frame No. FJ40-45625 ② from Frame No. FJ45-23046

CHASSIS

FIG.—18 STEERING COLUMN & HOUSING (LHD)



Toyota Land Cruiser

55

LUS- PART NO. NOMENCLATURE PER VEHICLE MODEL

Steering (LHD)

45200-60040	Post assy, steering (includes illustrations—A~J, O~Q, T~AH, AO, AQ~AU of Fig.—18 of this supplement. illustrations—C, J~T, AI~AO of Fig.—52 in Parts Catalog Model FJ40.)	1	LV	LV
45200-60050	Post assy, steering OPT (For floor shift) (includes illustrations—A~L, O~Q, T~AH, AO, AQ~AU of Fig.—18 of this supplement. illustrations—C, J~T, AI~AO of Fig.—52 in Parts Catalog Model FJ40.)	1	LV	LV

Steering Column, Housing, Main Shaft & Sector Shaft

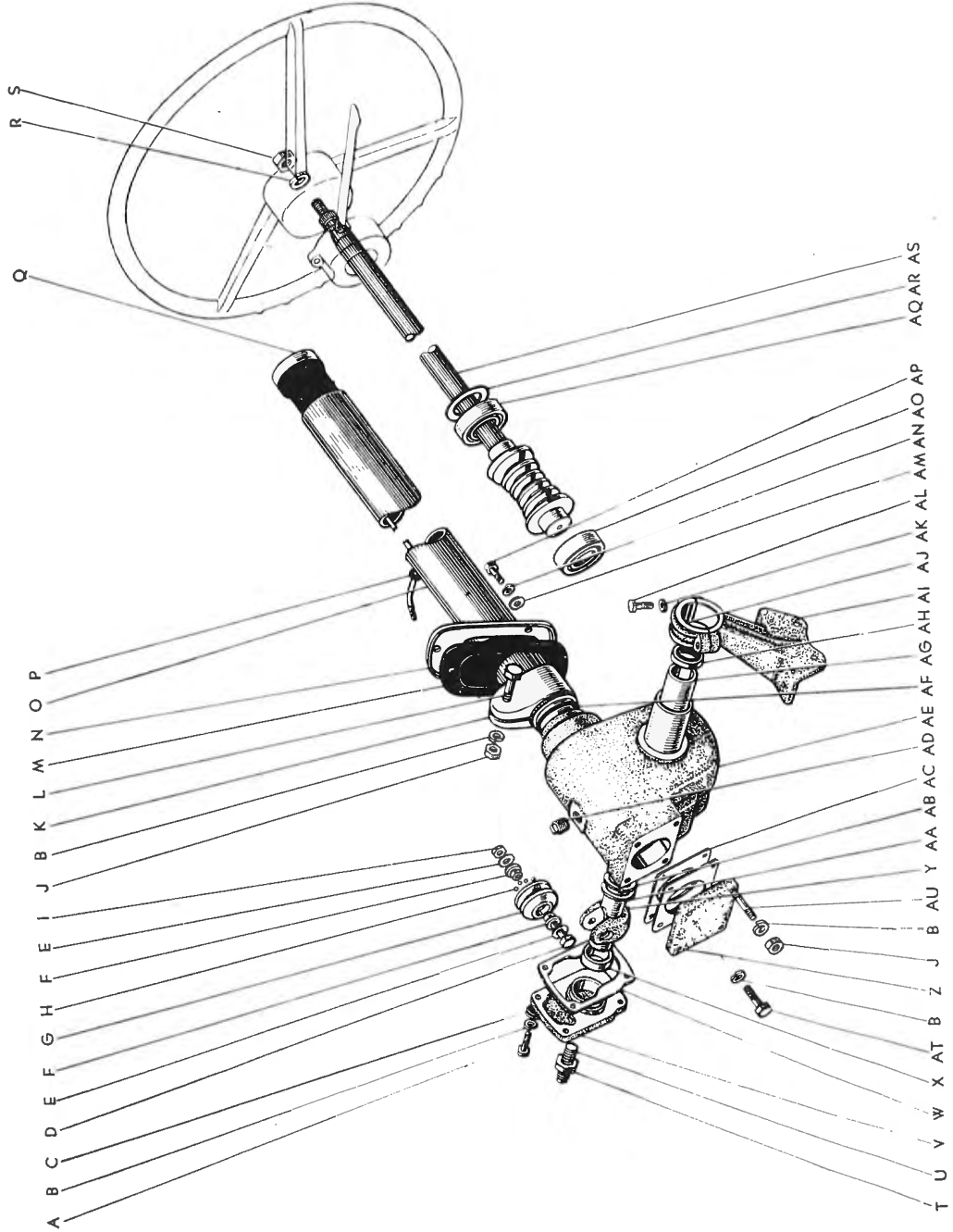
(G.18)

04452-55010	Roller kit, steering sector (includes illustrations—D~I of Fig.—18)	1	40V. LV. 45V. LV
45300-60030	Post assy, steering L/winker (includes illustrations—A~J, O~Q, T~AH, AO, AQ~AU of Fig.—18)	1	LV LV
45300-60040	Post assy, steering L/winker OPT (For floor shift) (includes illustrations—A~L, O~Q, T~AH, AO, AQ~AU of Fig.—18)	1	LV LV
A 91111-50822	Bolt (hex-hd. 8—1.25p×22) (up to Frame No. FJ40-47115, FJ45-29401=8)	4	
B 94512-00800	Washer, spring (8)	9	
C 94711-90800	Washer, seal (up to Frame No. FJ40-47115, FJ45-29401=4)	2	
D 45361-55010	Shaft, steering sector roller	1	40V. LV. 45V. LV
E 90564-10059	Shim	2	40V. LV. 45V. LV
F 90945-01003*	Race, steering sector, No.2-(Replaced by 90945-01001)	2	40V. LV. 45V. LV
G 90945-01001	Roller, steering sector (includes illustrations—F, H of Fig.—18)	1	40V. LV. 45V. LV
H 90945-01004*	Roller, steering sector, No.3-(Replaced by 90945-01001)	20	40V. LV. 45V. LV
I 90170-10054	Nut, hexagon	1	40V. LV. 45V. LV
J 94110-40800	Nut (hex. 8—1.25p)	3	
K 45272-55010	Clamp, steering column, lower OPT (For floor shift)	1	40V. LV. 45V. LV
L 91111-50850	Bolt (hex-hd. 8—1.25p×50)	1	

① from Frame No. FJ40-47116 ② from Frame No. FJ45-29402

CHASSIS

FIG.—18 STEERING COLUMN & HOUSING (LHD)



Toyota Land Cruiser

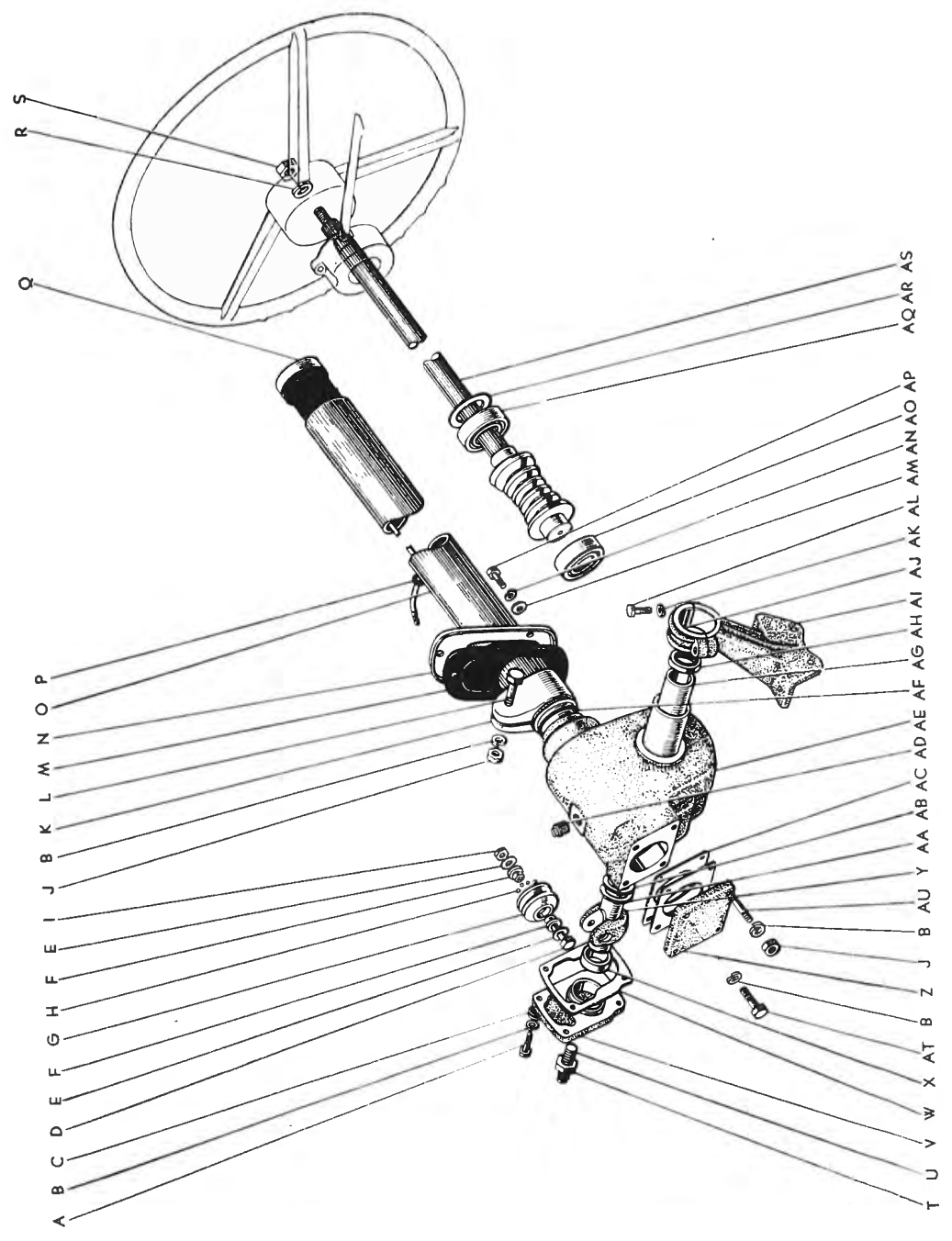
57

ILLUS- TRATION	PART NO.	NOMENCLATURE	P E R VEHICLE	MODEL
FIG.18)				
M	55122-60010	Dust-proof, steering column hole-②	1	40V. LV. 45V. LV
	55122-92170	Dust-proof, steering column hole-③ (Originally in use for U.S.A. only)	1	LV
	55122-60020	Dust-proof, steering column hole OPT	1	40V. LV. 45V. LV
N	55121-60010	Plate, steering column hole dust-proof set-②	1	40V. LV. 45V. LV
	55121-92170	Plate, steering column hole dust-proof set-③ (Originally in use for U.S.A. only)	1	LV
	55123-92170	Sub-plate, steering column hole dust-proof set-③ (Originally in use for U.S.A. only)	1	LV
O	45205-60030	Tube sub-assy, steering column (includes illustrations—P, Q of Fig.—18)	1	LV LV
P	90480-12069	Grommet, steering column	1	40V. LV. 45V. LV
Q	45207-60020	Insulator sub-assy, L/column tube bushing	1	40V. LV. 45V. LV
	90386-18026	Bushing	1	40V. LV. 45V. LV
R	90204-13012	Washer, spring	1	40V. LV. 45V. LV
S	94120-41300	Nut (hex. 13—1.5p)	1	
T	90170-14057	Nut, hexagon	1	40V. LV. 45V. LV
U	90113-14012	Bolt, set	1	40V. LV. 45V. LV
V	45304-60010	Cover sub-assy, sector shaft end (includes illustration—X of Fig.—18)	1	40V. LV. 45V. LV
W	45332-60010	Gasket, sector shaft end cover (thk.=0.5)	1	40V. LV. 45V. LV
X	90999-70033	Bushing, solid	1	40V. LV. 45V. LV
Y	45350-60020	Shaft assy, steering sector (includes illustrations—D~I of Fig.—18)	1	LV LV
Z	★45321-60010	Cover, gear housing end	1	40V. LV. 45V. LV
	45321-60011	Cover, gear housing end ①④	1	40V. LV. 45V. LV
AA	45352-55010	Plate, steering sector adjusting	1	40V. LV. 45V. LV
AB	★90564-33062	Shim (thk.=0.5) (Replaced by 90564-33106)	0~9	40V. LV. 45V. LV
	90564-33106	Shim (thk.=0.5)	0~9	40V. LV. 45V. LV
	★45338-55010	Shim, steering sector adjusting (thk.=0.31) (Replaced by 90564-33110)	0~3	40V. LV. 45V. LV
	90564-33110	Shim (thk.=0.31)	0~3	40V. LV. 45V. LV

★ Old Part- ① from Frame No. FJ40 47116 ② up to Frame No. FJ45-24695 (FJ45LV)
 from Frame No. FJ45 24696 (FJ45LV) ④ from Frame No. FJ45-29402

⇓
CHASSIS

FIG.—18 STEERING COLUMN & HOUSING (LHD)



Toyota Land Cruiser

59

ILLUS- -RATION	PART NO.	NOMENCLATURE	P E R VEHICLE	MODEL
Fig. 18)				
AC	45216-59010*	Gasket, gear housing end cover (thk.=0.1) -(Replaced by 45322-55010)	} some	40V. LV. 45V. LV
	45217-59010*	Gasket, gear housing end cover (thk.=0.2) -(Replaced by 45323-55010)		
	45218-59010*	Gasket, gear housing end cover (thk.=0.3) -(Replaced by 45324-55010)		
	45322-55010	Gasket, gear housing end cover (thk.=0.1)	} some	40V. LV. 45V. LV
	45323-55010	Gasket, gear housing end cover (thk.=0.2)		
	45324-55010	Gasket, gear housing end cover (thk.=0.3)		
	45322-60010	Gasket, gear housing end cover (thk.=0.5)	0~2	40V. LV. 45V. LV
AD	90345-53008	Plug, steering gear box oil	1	40V. LV. 45V. LV
AE	45301-25020	Housing sub-assy, steering gear (includes illustration—AG of Fig.—18)	1	LV LV
AF	90301-29035	Ring, "O"	1	40V. LV. 45V. LV
AG	90999-73018	Bushing, solid	1	40V. LV. 45V. LV
AH	90310-32010	Retainer, oil steering sector	1	40V. LV. 45V. LV
AI	45302-60010	Bracket sub-assy, steering gear housing (includes illustrations—AJ~AL of Fig.—18)	1	40V. LV. 45V. LV
AJ	45341-35010	Cap, gear housing bracket	1	40V. LV. 45V. LV
AK	94512-01200	Washer, spring (12)	2	
AL	90101-12140	Bolt, hexagon	2	40V. LV. 45V. LV
AM	94613-10600	Washer, plate (6×1.0)	4	
AN	94511-00600	Washer, spring (6)	4	
AO	97600-30206	Bearing	1	40V. LV. 45V. LV
AP	91111-40620	Bolt (hex-hd. 6—1.0p×20)	4	
AQ	97600-30205	Bearing	1	40V. LV. 45V. LV
AR	90564-40037	Shim (thk.=0.5)	} some	40V. LV. 45V. LV
	90564-40038	Shim (thk.=0.2)		
	90564-40039	Shim (thk.=0.1)		
AS	★45201-60020*	Shaft sub-assy, steering main -(Replaced by 45201-60021 & 45321-60011)	1	LV LV
	45201-60021	Shaft sub-assy, steering main ①②	1	LV LV
AT	91111-50825	Bolt (hex-hd. 8—1.25p×25)—①②	2	
AU	90116-08025	Bolt, stud ①②	2	40V. LV. 45V. LV

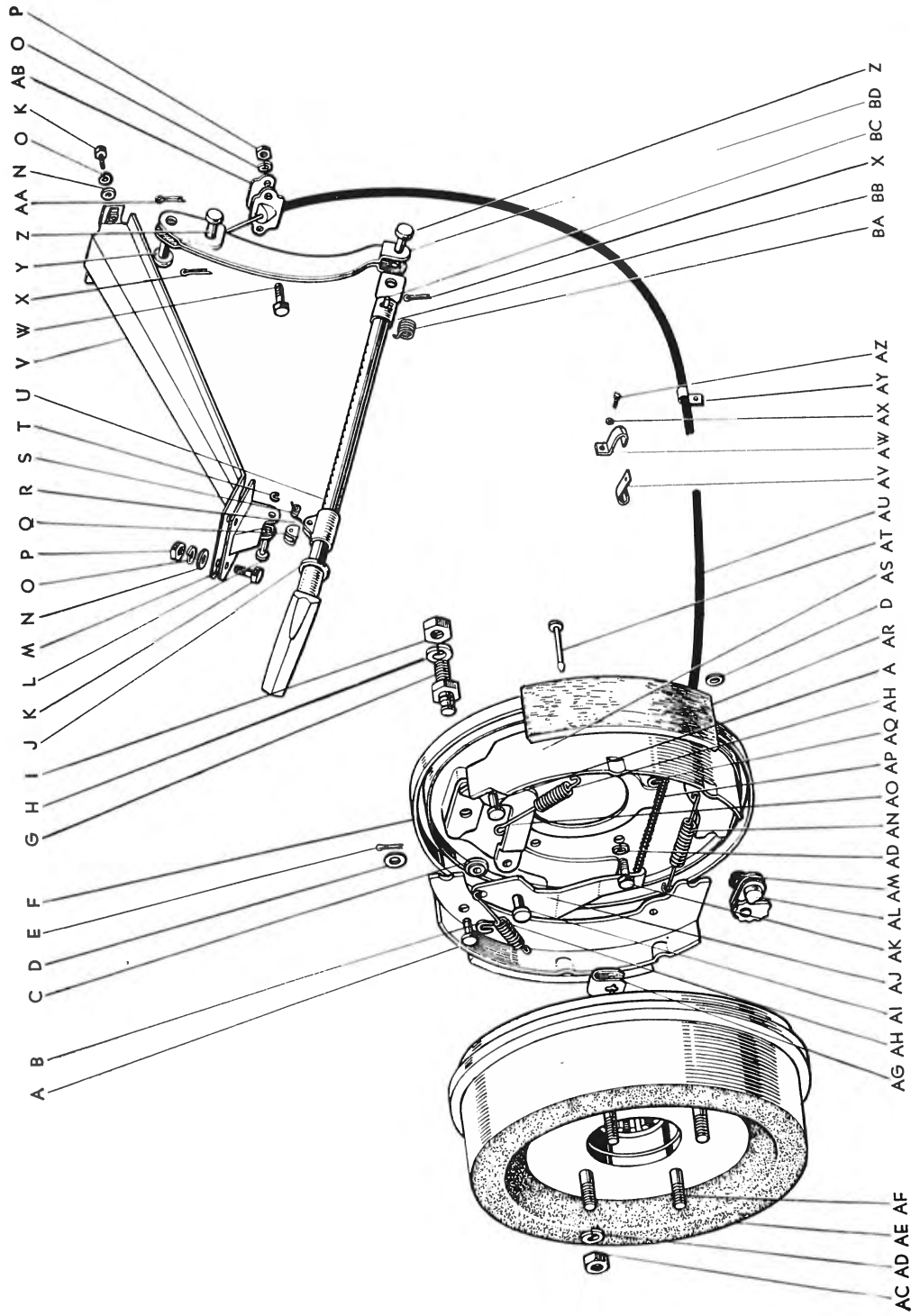
★ Old Part

① from Frame No. FJ40 47116

② from Frame No. FJ45-29402

CHASSIS

FIG.—19 PARKING BRAKE



Toyota Land Cruiser

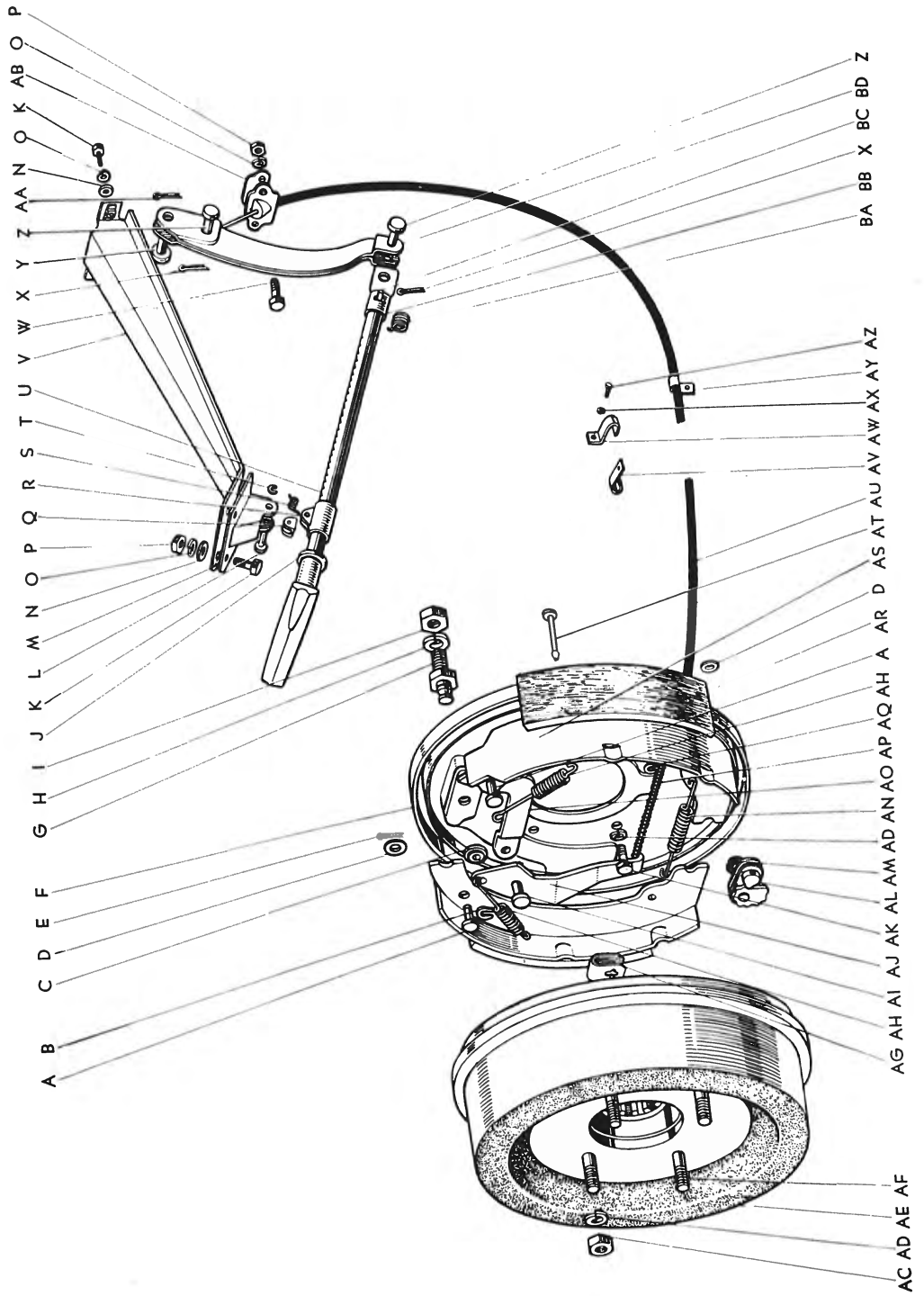
61

ILLUS- TRATION	PART NO.	NOMENCLATURE	P E R VEHICLE	M O D E L
Parking Brake				
(FIG.19)	46520-60010	Brake assy, parking brake (includes illustrations—A~I, AG~AJ, AL~AU of Fig.—19)	1	40V 45V
	46520-60020	Brake assy, parking brake	1	LV LV
	46520-60030	Brake assy, parking brake (For U.S.A.)-②③	1	LV LV
	46520-60901	Brake sub-assy, parking (includes illustrations—B, C, F~I of Fig.—19)	1	40V 45V
	46520-60902	Brake sub-assy, parking	1	LV LV
	46110-60010	Handle assy, parking brake control (includes illustrations—J, L, M, Q~U, X, AA, BA~BD of Fig.—19)	1	40V 45V
	46110-60020	Handle assy, parking brake control	1	LV LV
A	90240-08035	Pin, w hole	2	40V. LV. 45V. LV
B	90213-09005	Washer, type "C"	1	40V. LV. 45V. LV
C	46527-35010	Guide, shoe	1	40V. LV. 45V. LV
D	90206-08024	Washer, wave	4	40V. LV. 45V. LV
E	95381-02020	Pin, cotter	3	
F	46503-60010	Plate sub-assy, parking brake	1	40V 45V
	46503-60020	Plate sub-assy, parking brake	1	LV LV
G	46551-35010	Pin, anchor	1	40V. LV. 45V. LV
H	94511-01400	Washer, spring (14)	1	
I	94120-41400	Nut (hex. 14—1.5p)	1	
J	46115-30010	Washer, parking brake plunger	1	40V. LV. 45V. LV
K	91111-40620	Bolt (hex-hd. 6—1.0p×20)	4	
L	46313-30020	Pin, parking brake pawl	1	40V. LV. 45V. LV
M	46131-60010	Bracket, parking brake plunger	1	40V. LV. 45V. LV
N	94613-10600	Washer, plate (6×1.0)	4	
O	94512-00600	Washer, spring (6)	6	
P	94110-40600	Nut (hex. 6—1.0p)	4	
Q	46311-30020	Pawl, parking brake	1	40V. LV. 45V. LV
R	46116-30010	Guide, parking brake plunger	1	40V. LV. 45V. LV
S	90508-08041	Spring, torsion	1	40V. LV. 45V. LV
T	90213-03007	Washer, type "C"	1	40V. LV. 45V. LV
U	46101-60010	Plunger sub-assy, parking brake	1	40V 45V
	46101-60020	Plunger sub-assy, parking brake	1	LV LV

① from Frame No. FJ40-47182 ② from Frame No. FJ45-29446

⇓
CHASSIS

FIG.—19 PARKING BRAKE



Toyota Land Cruiser

63

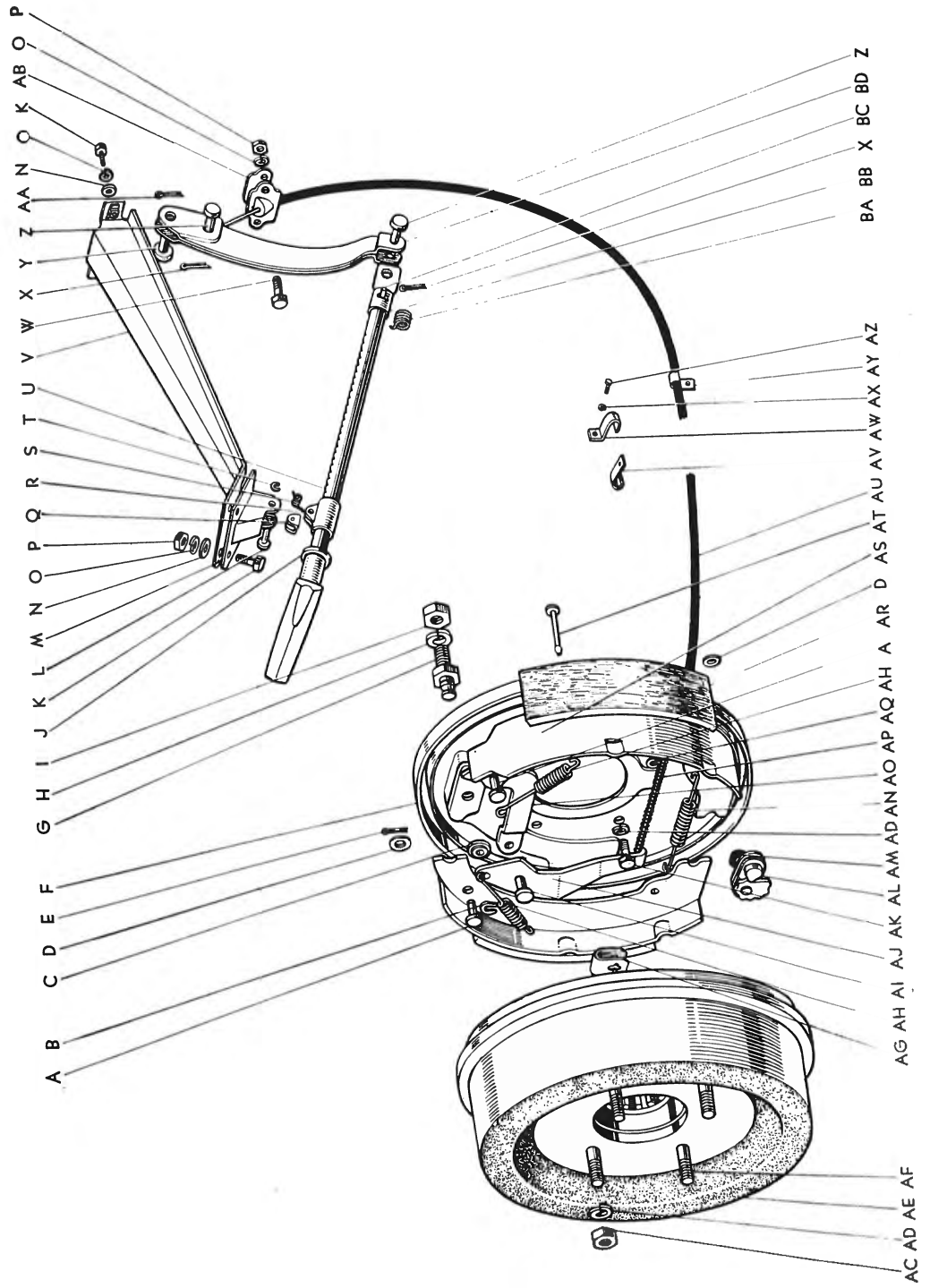
ILLUSTRATION	PART NO.	NOMENCLATURE	P E R VEHICLE	MODEL
FIG. 19)				
V	★55107-60010*	Stay sub-assy, parking brake (Replaced by 55107-60011)	1	40V, LV
	55107-60011	Stay sub-assy, parking brake	1	40V, LV
	★55107-92000	Stay sub-assy, parking brake	1	45V
	55107-92001	Stay sub-assy, parking brake-①	1	45V
	★55107-92170	Stay sub-assy, parking brake	1	LV
	55107-92171	Stay sub-assy, parking brake-①	1	LV
W	93180-16016	Screw (hex-hd. 6-1.0p×16)	4	
X	95381-01215	Pin, cotter	2	
Y	90240-12043	Pin, w hole	1	40V, LV, 45V, LV
Z	90240-08038	Pin, w hole	2	40V, LV, 45V, LV
AA	95381-03020	Pin, cotter	1	
AB	46458-60010	Retainer, cable	1	40V, LV, 45V, LV
AC	94110-40800	Nut (hex. 8-1.25p)	4	
AD	94512-00800	Washer, spring (8)	8	
	46501-60010	Drum sub-assy, parking brake (includes illustrations—AE, AF of Fig.—19)	1	40V, LV, 45V, LV
AE	46511-60020	Drum, parking brake	1	40V, LV, 45V, LV
AF	90114-08005	Bolt, serration	4	40V, LV, 45V, LV
AG	46555-35010	Spring, brake shoe hold down	2	40V, LV, 45V, LV
AH	90506-16052	Spring, tension	2	40V, LV, 45V, LV
AI	90240-08036	Pin, w hole	1	40V, LV, 45V, LV
AJ	46611-35010	Lever, parking brake shoe	1	40V, 45V
	46611-35020	Lever, parking brake shoe	1	LV, LV
AK	91111-50816	Bolt (hex-hd. 8-1.25p×16)	1	
	91111-50820	Bolt (hex-hd. 8-1.25p×20)	3	
AL	46506-35010	Adjuster sub-assy, parking brake shoe	1	40V, LV, 45V, LV
AM	46577-35010	Cover, adjusting cam hole	1	40V, LV, 45V, LV
AN	90506-14048	Spring, tension	1	40V, LV, 45V, LV
AO	46612-35010	Strut, parking brake shoe lever	1	40V, 45V
	46612-35020	Strut, parking brake shoe lever	1	LV, LV
AP	90501-14121	Spring, compression	1	40V, LV, 45V, LV
AQ	90213-07006	Washer, type "C"	1	40V, LV, 45V, LV
AR	46531-35020	Lining, parking brake shoe	2	40V, LV, 45V, LV
	46531-35030	Lining, parking brake shoe (For U.S.A.)-②③	2	LV, LV

★ Old Part
① from Frame No. FJ45-29446

① from Body No. 1196610 ② from Frame No. FJ40-47182

CHASSIS

FIG.—19 PARKING BRAKE



Toyota Land Cruiser

65

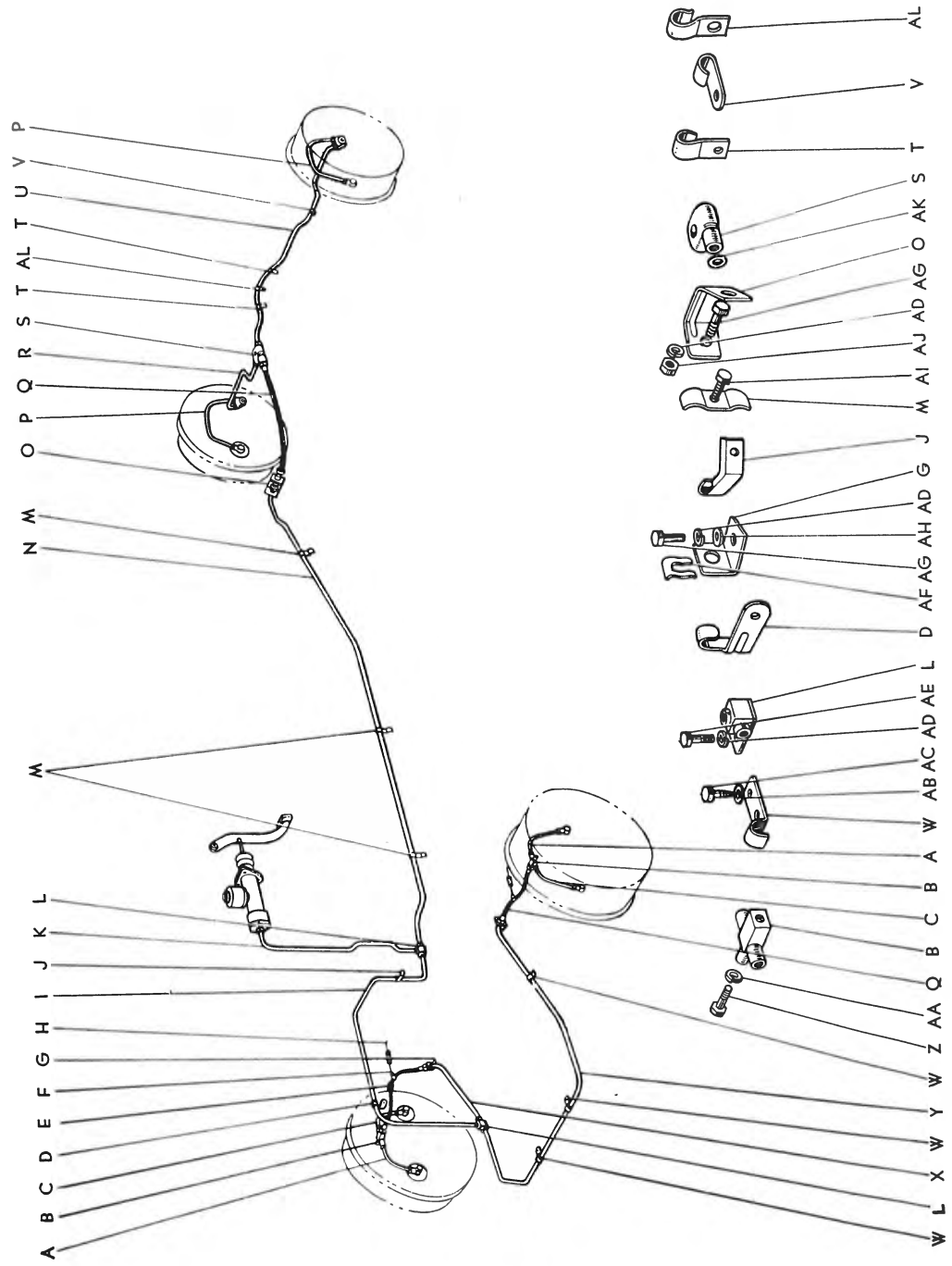
ILLUS- TRATION	PART NO.	NOMENCLATURE	P E R VEHICLE	MODEL
(FIG.19)	46550-35901*	Shoe sub-assy, parking brake (includes illustrations—AR, AS of Fig.—19)	1	40V 45V
	46550-35902*	Shoe sub-assy, parking brake	1	LV LV
AS	46550-35010	Shoe assy, parking brake (includes illustrations—AR of Fig.—19)	2	40V. LV. 45V. LV
	46550-35020	Shoe assy, parking brake (For U.S.A.)-①②	2	LV LV
AT	46556-35010	Pin, shoe hold down spring	2	40V. LV. 45V. LV
AU	46410-60010	Cable assy, parking brake	1	40V 45V
	46410-60020	Cable assy, parking brake	1	LV LV
AV	90461-10101	Clamp, No.1	1	LV LV
AW	90461-10102	Clamp, No.2 (RHD=OPT)	1	40V. LV. 45V. LV
AX	94512-01000	Washer, spring (10) OPT	1	
AY	90461-10103	Clamp	1	40V 45V
AZ	91211-41016	Bolt OPT	1	
BA	90508-14038	Spring, torsion	1	40V 45V
	90508-14039	Spring, torsion	1	LV LV
BB	46117-30010	Sleeve, parking brake plunger	1	40V 45V
	46117-30020	Sleeve, parking brake plunger	1	LV LV
BC	46114-30010	Pin, parking brake plunger	1	40V. LV. 45V. LV
BD	46301-30010	Lever sub-assy, intermediate	1	40V. LV. 45V. LV

① from Frame No. FJ40-47182

② from Frame No. FJ45-29446

CHASSIS

FIG.—20 OIL BRAKE TUBE & CLAMP (FJ45V)



Toyota Land Cruiser

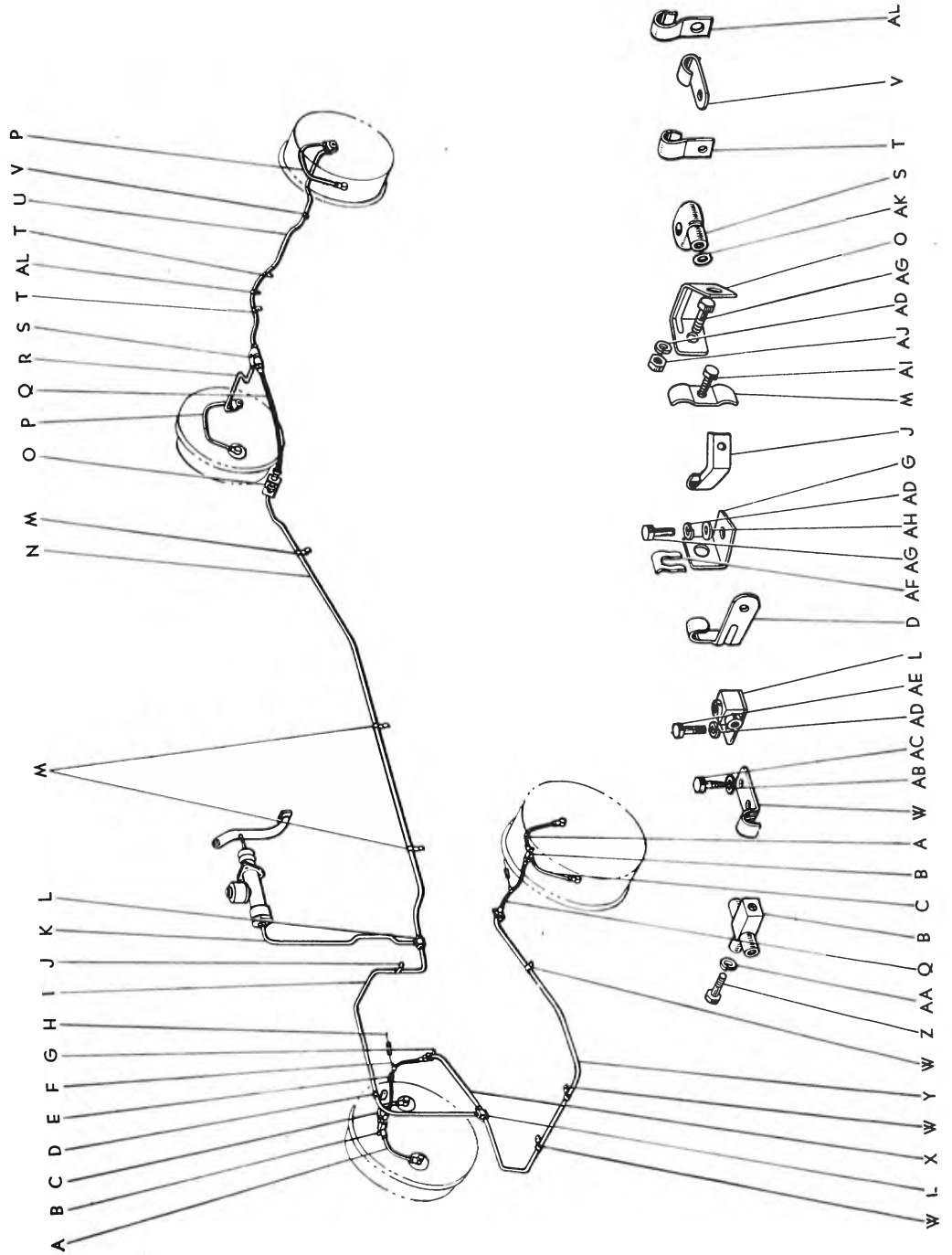
67

PLU- S- R- ATION	PART NO.	NOMENCLATURE	P E R VEHICLE	MODEL
Oil Brake Tube & Clamp (FJ45V)				
(FIG.20)				
A	47332-60010	Tube, wheel cylinder, No.2	2	40V. LV. 45V. LV
B	90413-09003	Way, 3	2	40V. LV. 45V. LV
C	47331-60010	Tube, wheel cylinder, No.1	2	40V. LV. 45V. LV
D	47361-60020	Clamp, tube, No.1	1	40V. LV. 45V. LV
E	90385-12022	Bushing, front brake flexible hose tension spring	2	40V. LV. 45V. LV
F	90461-06037	Clamp	2	40V. LV. 45V. LV
G	47351-60020	Bracket, flexible hose, No.1	1	40V. LV. 45V. LV
	47352-60020	Bracket, flexible hose, No.2	1	40V. LV. 45V. LV
H	90506-09043	Spring	2	40V. LV. 45V. LV
I	47312-60010	Tube, bridge, front 3 way	1	40V. LV. 45V. LV
J	47362-60020	Clamp, tube, No.2	1	40V. LV. 45V. LV
K	47311-60020	Tube, master cylinder to 3 way	1	40V 45V
L	90413-09015	Way, 3	2	40V. LV. 45V. LV
M	90462-10034	Clamp	3	40V. LV. 45V. LV
N	47316-60040	Tube, 3 way to rear flexible hose	1	45V. LV
O	47353-60010	Bracket, flexible hose, No.3	1	40V. LV. 45V. LV
P	47333-35010	Tube, wheel cylinder, rear	2	40V. LV. 45V. LV
Q	90947-02027	Hose, flexible	3	40V. LV. 45V. LV
R	47318-60030	Tube, 3 way to rear RH brake	1	45V. LV
S	90413-09007	Way, 3	1	40V. LV. 45V. LV
T	★90461-04216	Clamp -(up to Frame No. FJ45-23045)	2	40V. LV. 45V. LV
J	47319-60030	Tube, 3 way to rear LH brake	1	45V. LV
V	90461-04108	Clamp	1	40V. LV. 45V. LV
W	90462-10021	Clamp	3	40V. LV. 45V. LV
X	47313-60020	Tube, 3 way to front RH flexible hose	1	40V. LV. 45V. LV
Y	47314-60020	Tube, 3 way to front LH flexible hose	1	40V 45V
Z	93180-16012	Screw (hex-hd. 6—1.0p×12)	1	
AA	94512-00600	Washer, spring (6)	1	
3	94613-10800	Washer, plate (8×1.6)	2	
	94512-00800	Washer, spring (8)	1	
AC	93580-17020	Screw, tapping	2	
	91111-40816	Bolt (hex-hd. 8—1.25p×16)	1	
D	94512-00800	Washer, spring (8)	4	
AE	91111-40816	Bolt (hex-hd. 8—1.25p×16)	2	
F	90468-08001	Clip	3	40V. LV. 45V. LV

★ Old Part

CHASSIS

FIG.—20 OIL BRAKE TUBE & CLAMP (FJ45V)



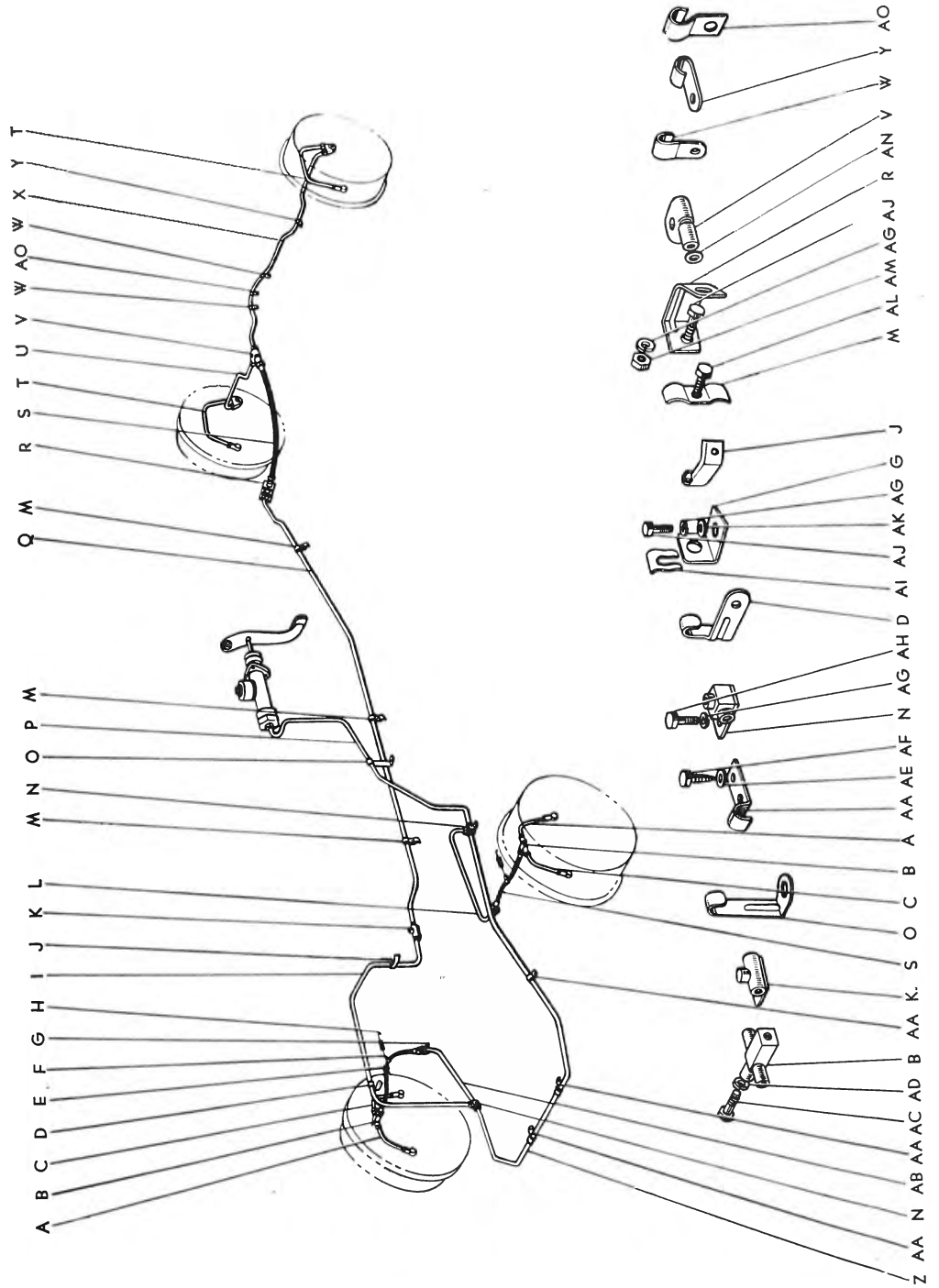
Toyota Land Cruiser

69

US- TRATION	PART NO.	NOMENCLATURE	P E R VEHICLE	MODEL
FIG.20)				
AG	91111-40820	Bolt (hex-hd. 8-1.25p×20)	2	
H	94613-10800	Washer, plate (8×1.6)	2	
M	93580-17020	Screw, tapping	3	
AJ	94110-40800	Nut (hex. 8-1.25p)	1	
K	90430-11100	Gasket	3	40V. LV. 45V. LV
L	90461-04057	Clamp-(from Frame No. FJ45-23046)	1	40V. LV. 45V. LV

CHASSIS

FIG.—21 OIL BRAKE TUBE & CLAMP (FJ451Y)



Toyota Land Cruiser

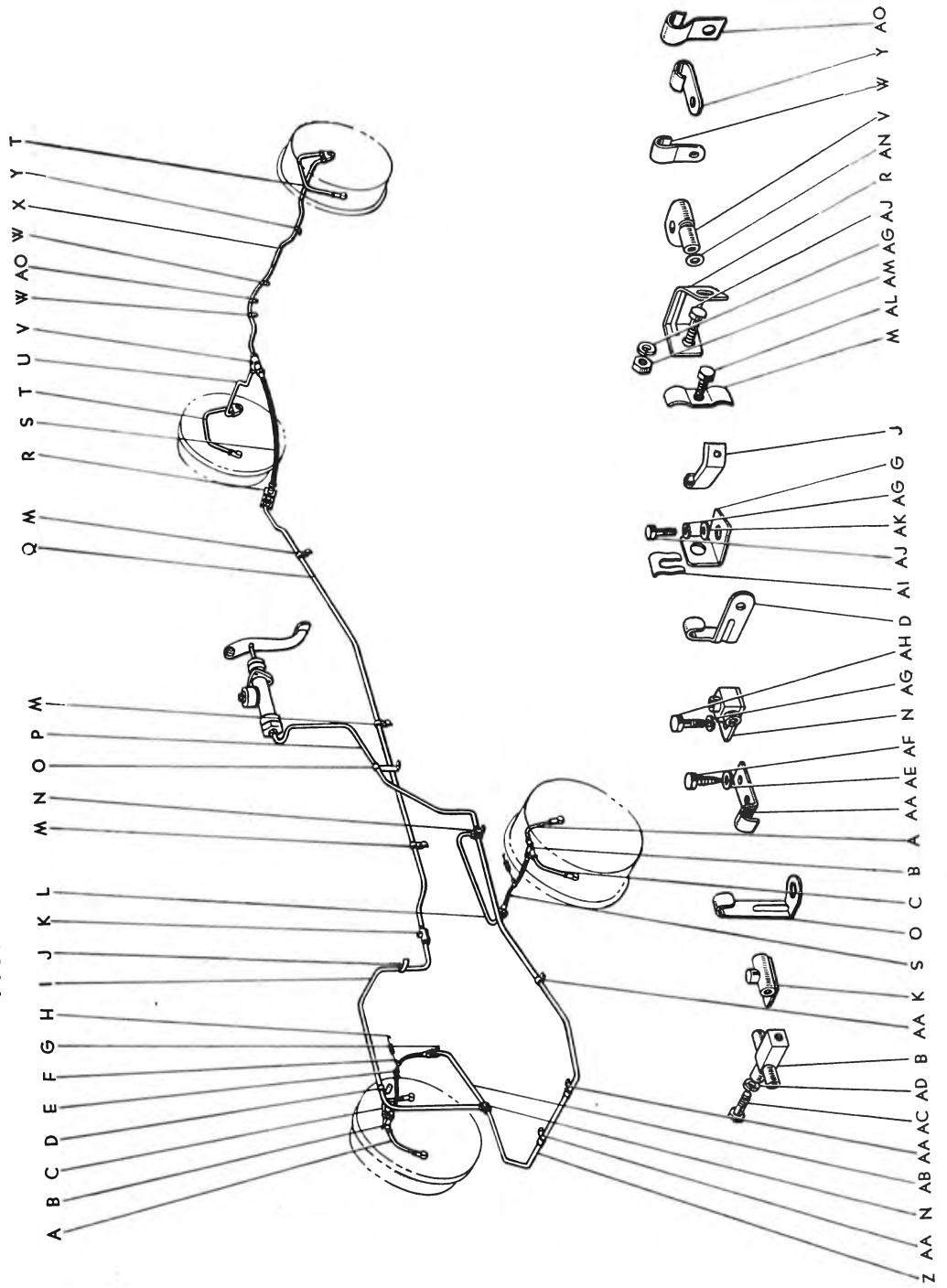
71

ILLUSTRATION	PART NO.	NOMENCLATURE	P E R VEHICLE	MODEL
Oil Brake Tube & Clamp (FJ45LV)				
	47332-60010	Tube, wheel cylinder, No.2	2	40V. LV. 45V. LV
	90413-09003	Way, 3	2	40V. LV. 45V. LV
	47331-60010	Tube, wheel cylinder, No.1	2	40V. LV. 45V. LV
	47361-60020	Clamp, tube, No.1	1	40V. LV. 45V. LV
	90385-12022	Bushing, front brake flexible hose tension spring	2	40V. LV. 45V. LV
	90461-06037	Clamp	2	40V. LV. 45V. LV
	47351-60020	Bracket, flexible hose, No.1	1	40V. LV. 45V. LV
	47352-60020	Bracket, flexible hose, No.2	1	40V. LV. 45V. LV
	90506-09043	Spring	2	40V. LV. 45V. LV
	47312-60010	Tube, bridge, front 3 way	1	40V. LV. 45V. LV
	47362-60020	Clamp, tube, No.2	1	40V. LV. 45V. LV
	90412-09004	Way, 2	1	LV LV
	47314-60030	Tube, 3 way to front LH flexible hose	1	LV LV
	90462-10034	Clamp	3	40V. LV. 45V. LV
	90413-09015	Way, 3	2	40V. LV. 45V. LV
	47361-60040	Clamp, tube	1	LV LV
	47311-60030	Tube, master cylinder to 3 way	1	LV LV
	47316-60040	Tube, 3 way to rear flexible hose	1	45V. LV
	47353-60010	Bracket, flexible hose, No.3	1	40V. LV. 45V. LV
	90947-02027	Hose, flexible	3	40V. LV. 45V. LV
	47333-35010	Tube, wheel cylinder, rear	2	40V. LV. 45V. LV
	47318-60030	Tube, 3 way to rear RH brake	1	45V. LV
	90413-09007	Way, 3	1	40V. LV. 45V. LV
	*90461-04216	Clamp-(up to Frame No. FJ45-23045)	2	40V. LV. 45V. LV
	47319-60030	Tube, 3 way to rear LH brake	1	45V. LV
	90461-04108	Clamp	1	40V. LV. 45V. LV
	47312-60020	Tube, bridge, front 3 way	1	LV LV
	90462-10021	Clamp	3	40V. LV. 45V. LV
	47313-60020	Tube, 3 way to front RH flexible hose	1	40V. LV. 45V. LV
	93180-16012	Screw (hex-hd. 6-1.0p×12)	1	
	94512-00600	Washer, spring (6)	1	
	94613-10800	Washer, plate (8×1.6)	2	
	94512-00800	Washer, spring (8)	1	
	93580-17020	Screw, tapping	2	
	91111-40816	Bolt (hex-hd. 8-1.25p×16)	1	

* Old Part

CHASSIS

FIG.—21 OIL BRAKE TUBE & CLAMP (FJ45LV)



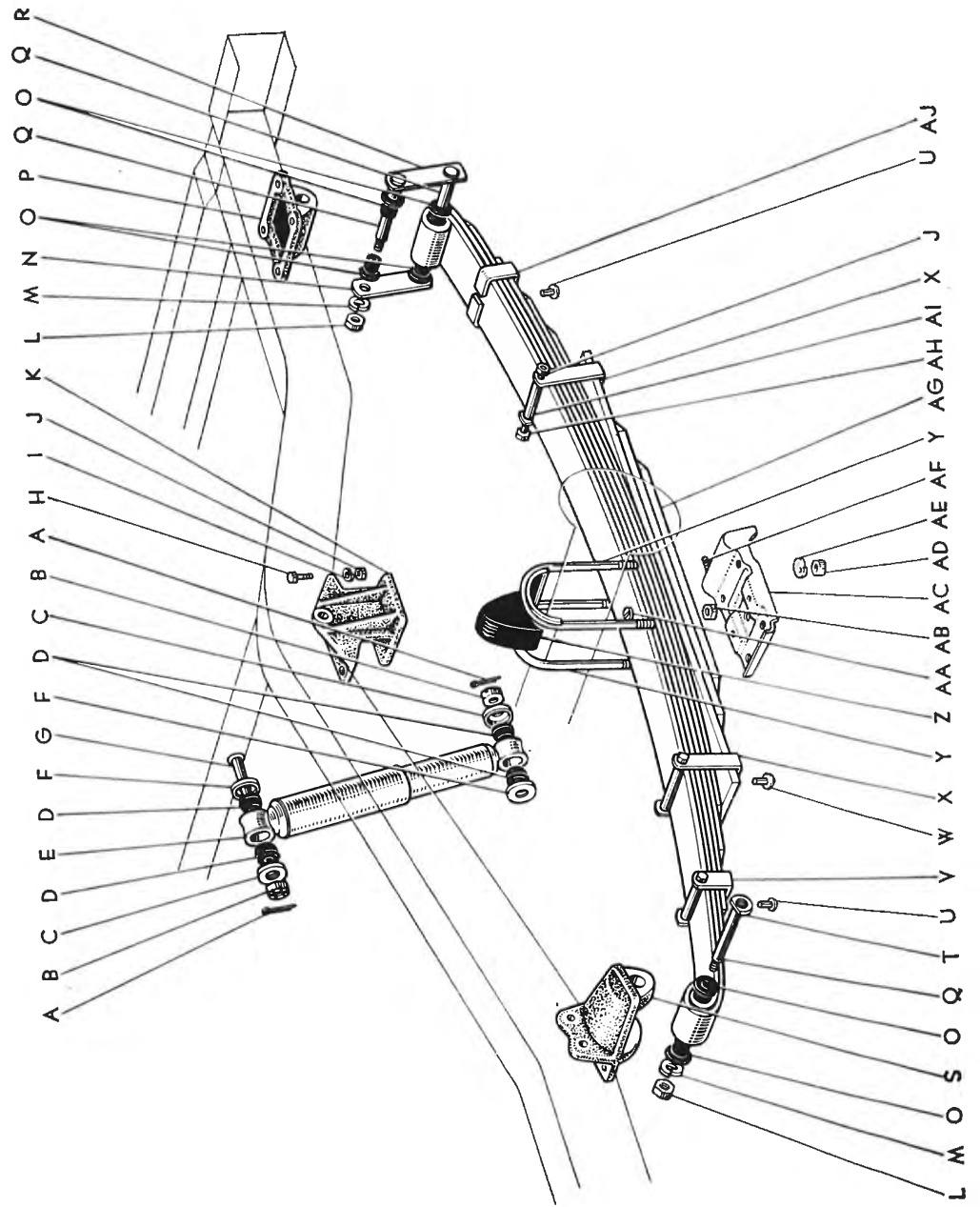
Toyota Land Cruiser

73

US- LOCATION	PART NO.	NOMENCLATURE	P E R VEHICLE	MODEL
FIG.21)				
G	94512-00800	Washer, spring (8)	4	
H	91111-40816	Bolt (hex-he. 8—1.25p×16)	2	
AI	90468-08001	Clip	3	40V. LV. 45V. LV
AJ	91111-40820	Bolt (hex-hd. 8—1.25p×20)	2	
K	94613-10800	Washer, plate (8×1.6)	2	
AI	93580-17020	Screw, tapping	3	
AM	94110-40800	Nut (hex. 8—1.25p)	1	
N	90430-11100	Gasket	3	40V. LV. 45V. LV
O	90461-04057	Clamp—(from Frame No. FJ45-23046)	1	40V. LV. 45V. LV

CHASSIS

FIG.—22 REAR SPRING & SHOCK ABSORBER (FJ45V, 45LV)



Toyota Land Cruiser

75

ILLUS- TRATION	PART NO.	NOMENCLATURE	P E R VEHICLE	MODEL
-------------------	----------	--------------	------------------	-------

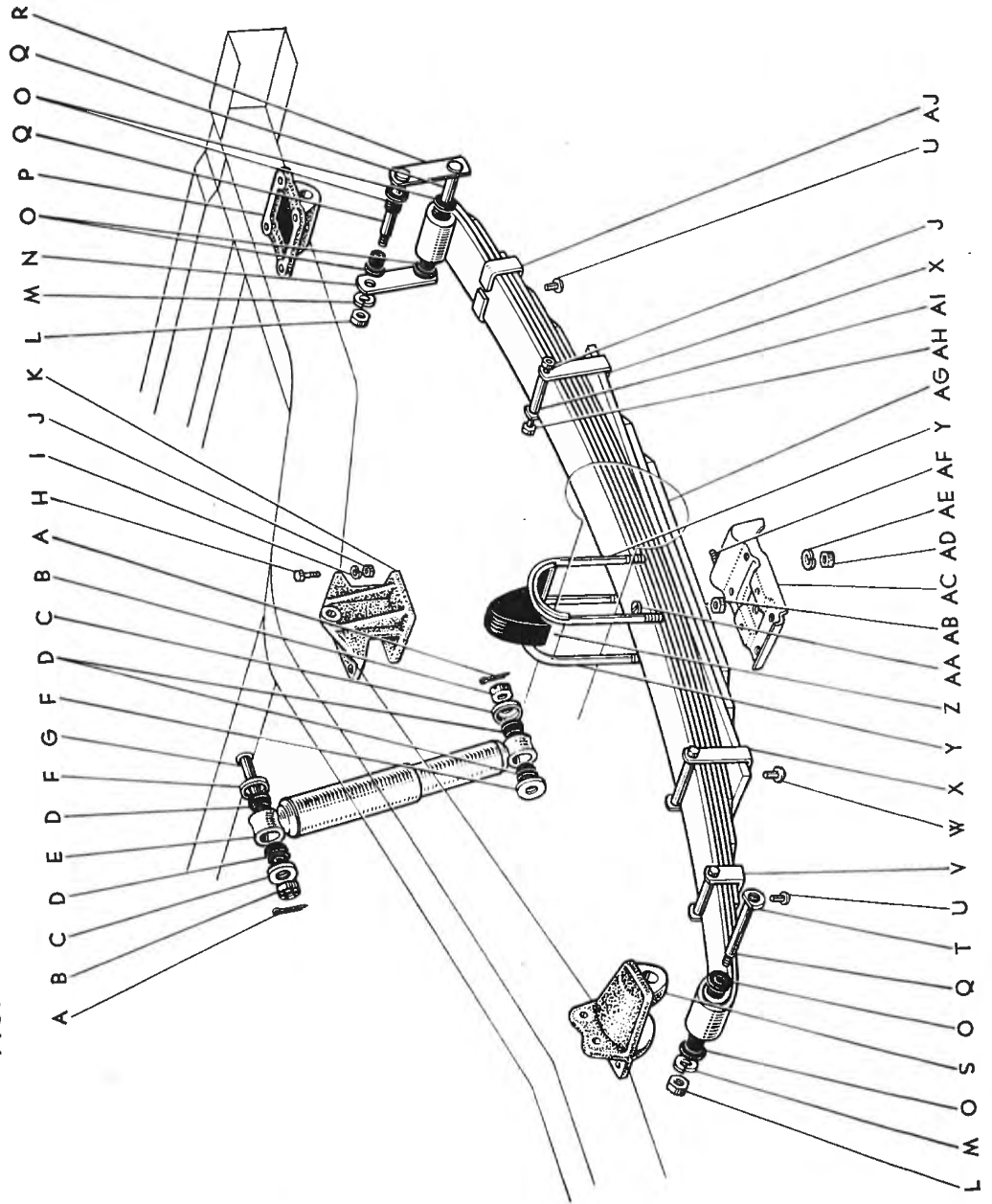
Rear Spring & Shock Absorber (FJ45V, 45LV)

G.22)

	04483-35010	Shackle kit, rear spring <small>(includes illustrations—L~O, Q, R of Fig.—22)</small>	1	40V. LV. 45V. LV
	04484-35011	Shackle kit, rear spring hanger <small>(includes illustrations—L, M, O, Q, T of Fig.—22)</small>	1	40V. LV. 45V. LV
A	95381-03025	Pin, cotter	4	
B	94141-41200	Nut, castle (hex. 12—1.5p)	4	
C	90948-03003	Washer, shock absorber cushion	4	40V. LV. 45V. LV
D	90385-16007	Bushing	8	40V. LV. 45V. LV
E	48531-60050	Absorber, shock, rear	2	45V. LV
F	90948-03004	Washer, shock absorber cushion	4	40V. LV. 45V. LV
G	48532-30010	Pin, rear shock absorber upper pivot	2	40V. LV. 45V. LV
H	91111-40825	Bolt (hex-hd. 8—1.25p×25)	6	
I	94512-00800	Washer, spring (8)	6	
J	94110-40800	Nut (hex. 8—1.25p)	9	
K	48354-60040	Stopper, bumper, rear LH	1	45V. LV
	48344-60040	Stopper, bumper, rear RH	1	45V. LV
L	94110-41400	Nut (hex. 14—1.5p)	6	
M	94512-01400	Washer, spring (14)	6	
N	48444-35010	Plate, spring shackle, inner	2	40V. LV. 45V. LV
O	90385-18025	Bushing	12	40V. LV. 45V. LV
P	48416-35010	Bracket, spring, No.4	2	45V. LV
Q	48323-35010	Pin, spring bracket	6	45V. LV
R	48042-35010	Shackle sub-assy, spring, No.2 <small>(includes illustration—Q of Fig.—22)</small>	2	45V. LV
S	48415-35010	Bracket, spring, No.3 LH	1	45V. LV
	48414-35010	Bracket, spring, No.3 RH	1	45V. LV
T	48409-35010	Pin sub-assy, spring bracket <small>(includes illustration—Q of Fig.—22)</small>	2	45V. LV
U	90260-10013	Rivet, round	4	45V. LV
V	48241-60060	Clip, rear spring No.1	2	45V. LV
W	95111-01022	Rivet, round	4	
X	48242-60060	Clip, rear spring No.2	4	45V. LV
Y	90117-13036	Bolt, "U"	4	45V. LV
Z	48306-60010	Bumper sub-assy, rear spring	2	45V. LV
AA	48247-60020	Bolt, rear spring center	2	45V. LV
AB	94110-41000	Nut (hex. 10—1.25p)	2	

CHASSIS

FIG.—22 REAR SPRING & SHOCK ABSORBER (FJ45V, 45LV)



Toyota Land Cruiser

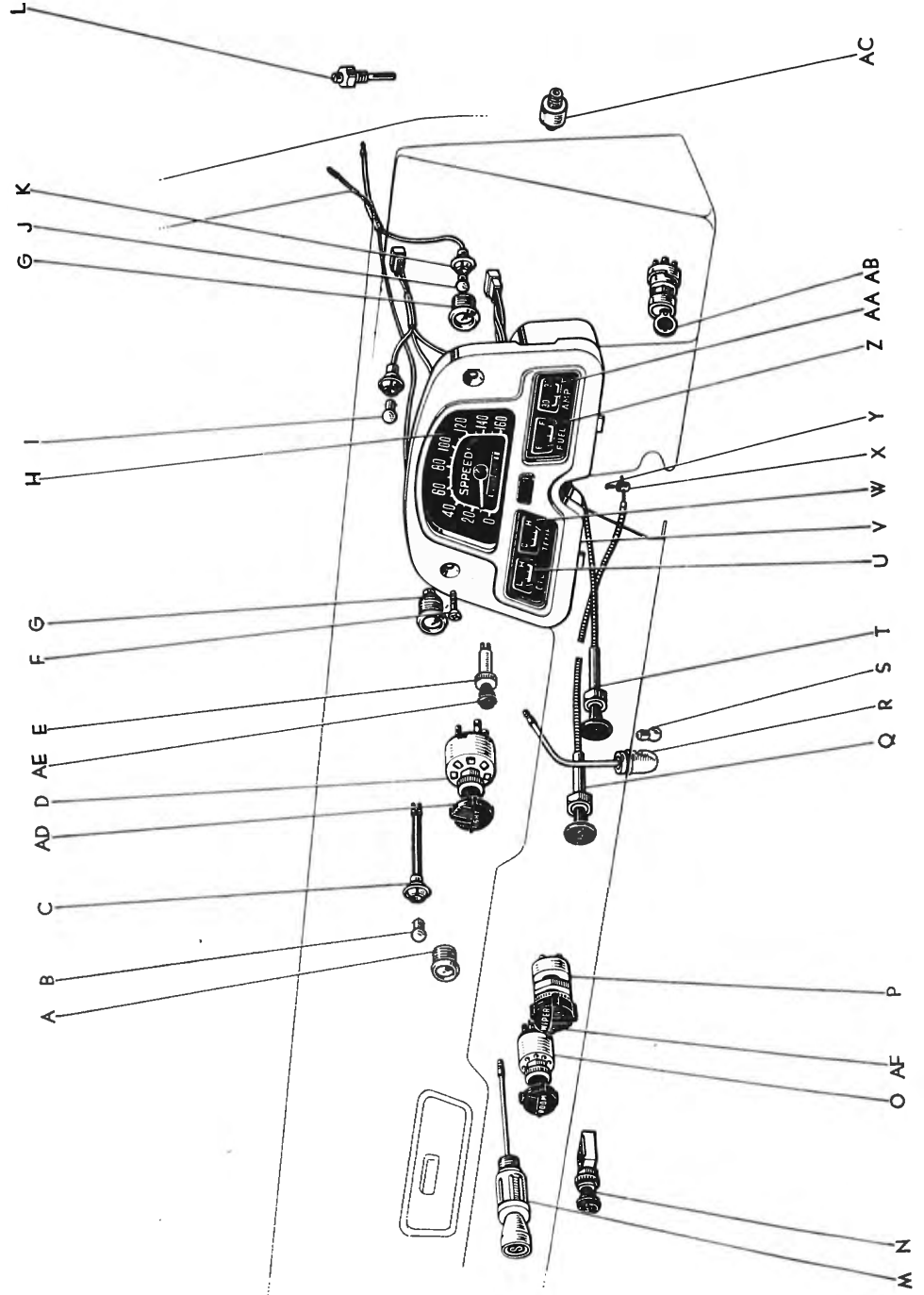
77

L- S- PARTITION	PART NO.	NOMENCLATURE	P E R VEHICLE	MODEL		
	48047-60020	Seat sub-assy, spring "U" bolt, LH (includes illustration—AF of Fig.—22)	1	45V. LV		
	48046-60020	Seat sub-assy, spring "U" bolt, RH	1	45V. LV		
	90170-13028	Nut, hexagon	8	45V. LV		
	94512-01300	Washer, spring (13)	8			
	48533-35010	Pin, rear shock absorber lower pivot	2	45V. LV		
	48220-60030	Spring assy, rear, LH (includes illustrations—J, U~X, AA, AB, AH~AJ of Fig.—22)	1	45V. LV		
	48210-60060	Spring assy, rear, RH	1	45V. LV		
	48211-60060	Leaf, rear spring, No.1	}			
	48212-60060	Leaf, rear spring, No.2				
	48213-60060	Leaf, rear spring, No.3				
	48202-60060	Leaf sub-assy, rear spring w/clip, No.1 (includes illustrations—U, AJ of Fig.—22)				
	48215-60060	Leaf, rear spring, No.5				
	48216-60060	Leaf, rear spring, No.6				
	48203-60060	Leaf sub-assy, rear spring w/clip, No.2 (includes illustrations—W, X of Fig.—22)	2	45V. LV		
	48218-60060	Leaf, rear spring, No.8	}			
	48219-60060	Leaf, rear spring, No.9				
	90101-08083	Bolt, hexagon			6	45V. LV
	48146-60010	Case, front spring clip bolt			6	45V. LV
	48243-60060	Clip, rear spring, No.3	2	45V. LV		

CHASSIS

ELECTRICAL GROUP

FIG.—30 COMBINATION METER & SWITCH



Toyota Land Cruiser

91

ILLUS- TRATION	PART NO.	NOMENCLATURE	P E R VEHICLE	MODEL
-------------------	----------	--------------	------------------	-------

Combination Meter & Switch

(FIG.30)

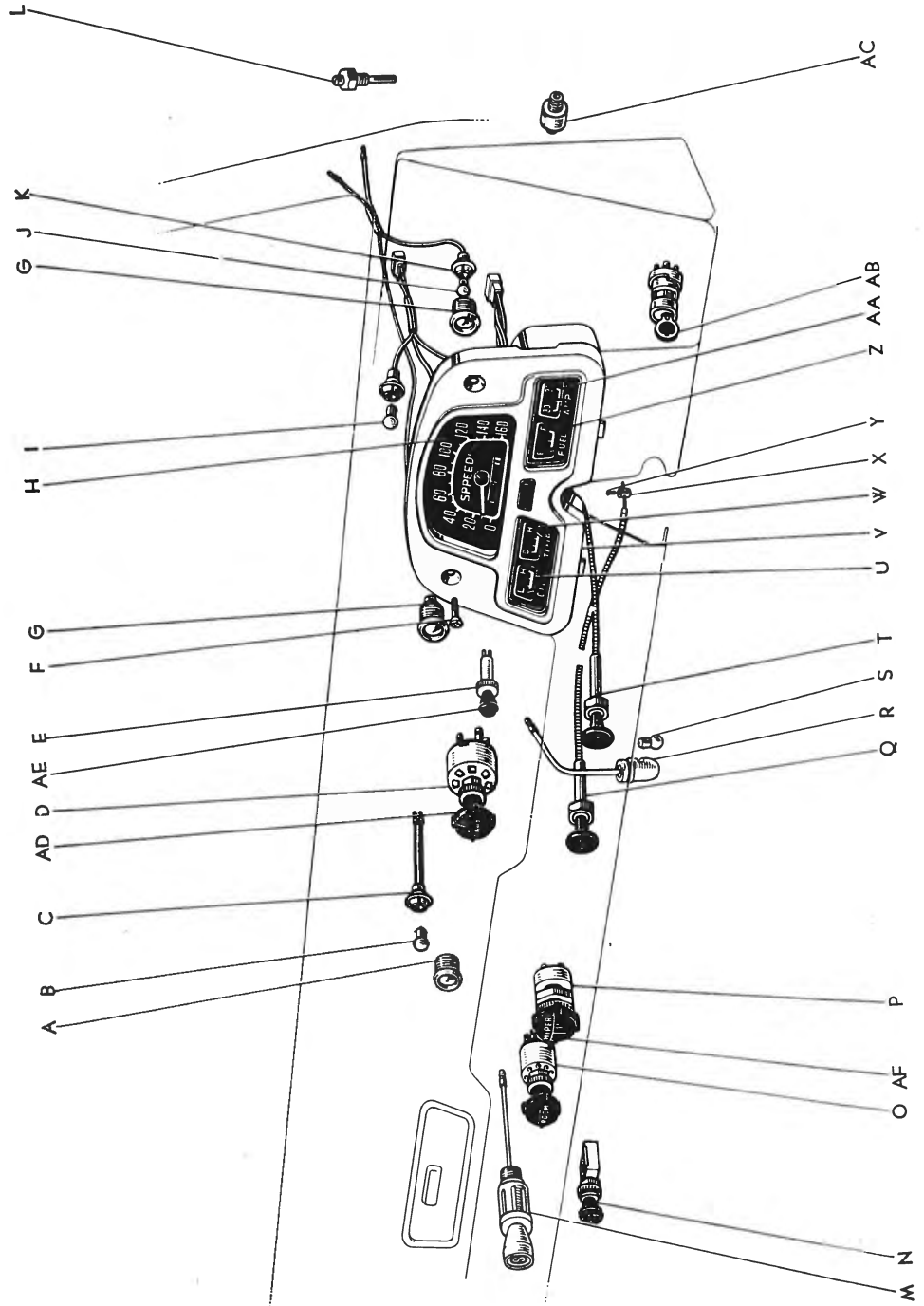
A	81806-60010	Lamp, transfer indicator signal	1	40V. LV. 45V. LV
B	99132-13015	Bulb (For transfer indicator lamp)	1	40V. LV. 45V. LV
	81860-60010	Lamp assy, front drive indicator (includes illustrations—A~C of Fig.—30)	1	40V. LV. 45V. LV
C	81086-60010	Socket & wire sub-assy, front drive indicator lamp	1	40V. LV. 45V. LV
D	84110-60010	Swich assy, light control (includes illustration—AD of Fig.—30)	1	40V. LV. 45V. LV
E	84270-60010	Swich assy, general use pull type (includes illustration—AE of Fig.—30)	1	40V. LV. 45V. LV
	64191-95211	Plug, hole (For U.S.A.)	1	LV
F	93230-26012	Screw (oval-hd. 6—1.0p×12)	2	
G	81801-55010	Housing sub-assy, turn indicator lamp	2	40V. LV. 45V. LV
H	83110-60010	Speedometer assy (km.)	1	40V. LV. 45V. LV
	83110-60020	Speedometer assy (mile)		
I	99132-13030	Bulb (12V 3WL)	5	40V. LV. 45V. LV
J	99132-13030	Bulb (12V 3WL)	2	40V. 45V
	90981-11002	Bulb (12V 3W)	2	LV. LV
	81810-60010	Lamp assy, turn signal indicator (includes illustrations—G, J, K of Fig.—30)	2	40V. 45V
	81810-60020	Lamp assy, turn signal indicator	2	LV. LV
K	81081-60010	Socket & wire sub-assy, flasher indicator lamp	1	40V. LV. 45V. LV
L	83420-20010	Gage assy, water temperature sender	1	40V. LV. 45V. LV
M	85500-10011	Lighter assy, cigarette	1	40V. LV. 45V. LV
	85500-10012	Lighter assy, cigarette (For U.S.A.)	1	LV
N	84160-60020	Switch assy, fog lamp OPT	1	40V. LV. 45V. LV
O	84170-59620	Switch assy, interior dome lamp	1	45V. LV
P	84650-60010	Switch assy, windshield wiper-① (includes illustration—AF of Fig.—30)	1	40V. LV. 45V. LV
	84650-92170	Switch assy, windshield wiper-② (Originally in use for U.S.A. only)	1	45V. LV
Q	78410-60010	Rod assy, throttle	1	40V. LV. 45V. LV
R	81230-60010	Lamp assy, courtesy (Excludes U.S.A.) (includes illustration—S of Fig.—30)	1	40V. LV. 45V. LV
S	90981-12001	Bulb (12V 8W) (Excludes U.S.A.)	1	40V. LV. 45V. LV
T	78310-60010	Rod assy, choke	1	40V. LV. 45V. LV
U	83510-60010	Gage assy, oil pressure receiver	1	40V. LV. 45V. LV

① up to Frame No. FJ45-21701 (FJ45V, LV)

↳ from Frame No. FJ45-21702 (FJ45V, LV)

ELECT.

FIG.—30 COMBINATION METER & SWITCH



Toyota Land Cruiser

93

ILLUSTRATION	PART NO.	NOMENCLATURE	P E R VEHICLE	MODEL
G.30)				
V	83100-60011	Meter assy, combination (km.)	1	40V. LV. 45V. LV
	83100-60021	Meter assy, combination (mile) (includes illustrations—H, I, U, W, Z, AA of Fig.—30)		
W	83410-60010	Gage assy, temperature receiver	1	40V. LV. 45V. LV
X	78471-50010	Stopper, throttle wire	1	40V. LV. 45V. LV
Y	93110-14010	Screw (rd-hd. 4—0.75p×10)	1	
Z	83310-60010	Gage assy, fuel receiver	1	40V. LV. 45V. LV
AA	83610-60020	Ammeter assy	1	40V. LV. 45V. LV
	*69500-60050	Cylinder & key set assy, door & ignition (includes illustration—AB of Fig.—30 and illustration—AK of Fig.—73 of this supplement, illustration—A of Fig.—35 in Part Catalog Model FJ40.)	1	40V. LV
	69500-60110	Cylinder & key set assy, door & ignition (includes illustration—AB of Fig.—30, illustration—AM of Fig.—73 and illustration—J of Fig.—71 of this supplement, illustration—A of Fig.—35 in Part Catalog Model FJ40.)	1	40V. LV
	*69500-60061	Cylinder & key set assy, door & ignition (includes illustration—C of Fig.—10, illustration—AB of Fig.—30 and illustration—U of Fig.—42)	1	45V. LV
	69500-60062	Cylinder & key set assy, door & ignition-① (includes illustration—AB of Fig.—30, illustration—U of Fig.—42 and illustration—V of Fig.—74)	1	45V. LV
	69500-60130	Cylinder & key set assy, ignition & fuel OPT (includes illustration—AB of Fig.—30 and illustration—V of Fig.—74)	1	45V. LV
	*69500-60070	Cylinder & key set assy (includes illustration—AB of Fig.—30 and illustration—AM of Fig.—73)	1	40V. LV
	69500-60090	Cylinder & key set assy (includes illustration—AB of Fig.—30, illustration—J of Fig.—71 and illustration—AK of Fig.—73)	1	40V. LV
B	84450-60020	Switch assy, ignition	1	40V. LV. 45V. LV
AC	83520-55010	Gage assy, oil pressure sender	1	40V. LV. 45V. LV
AD	84111-60010	Knob, light control switch	1	40V. LV. 45V. LV
E	84271-60010	Knob, general use pull type switch	1	40V. LV. 45V. LV
AF	84651-60010	Knob, windshield wiper switch-②	1	40V. LV. 45V. LV

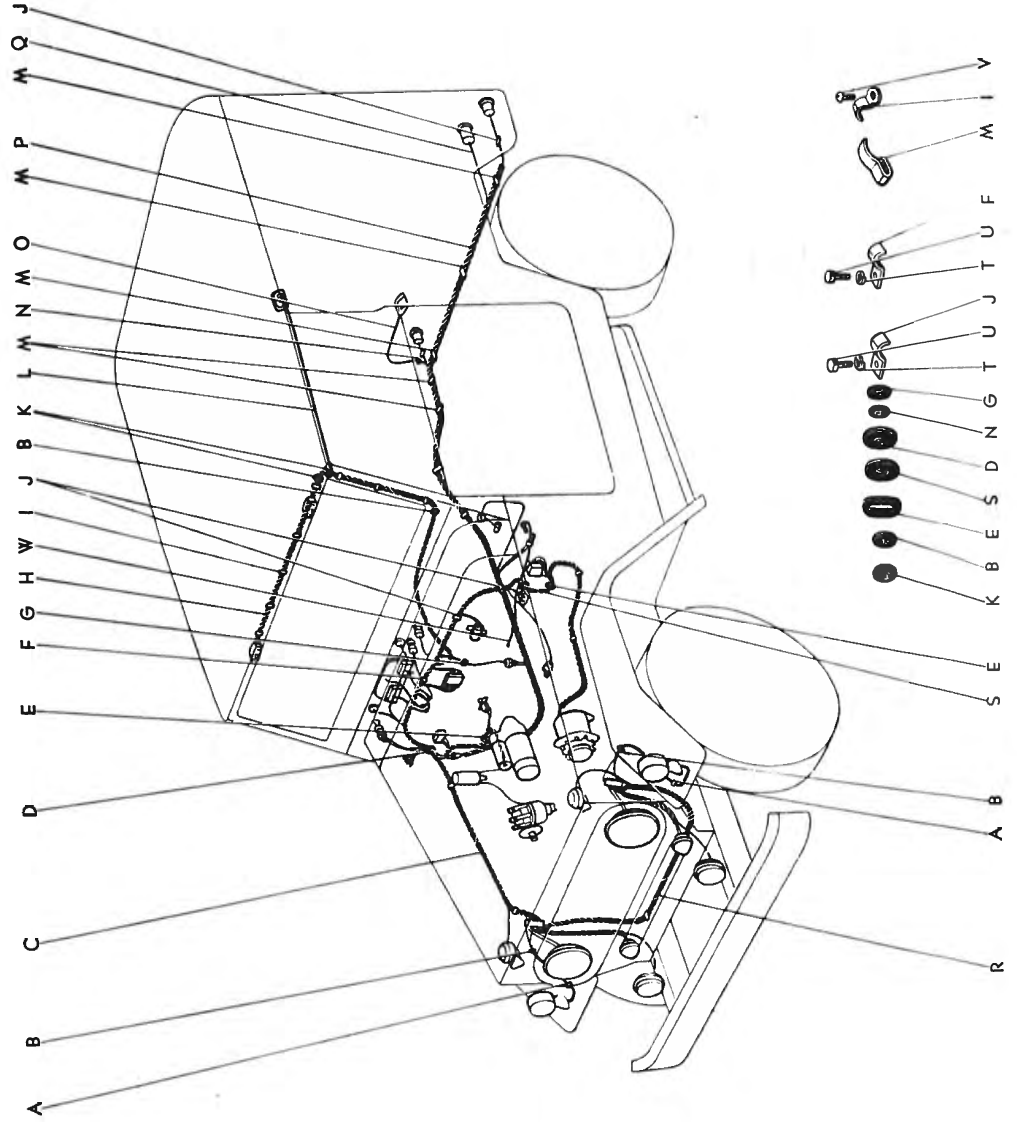
Old Part

① from Frame No. FJ45-24186

② up to Frame No. FJ45-21701 (FJ45V.LV)

ELECT.

FIG.—31 WIRING HARNESS & CLAMP (FJ40V)



Toyota Land Cruiser

95

ILLUS-
TRATION PART NO.

NOMENCLATURE

P E R
VEHICLE MODEL

Wiring Harness & Clamp (FJ40V)

	PART NO.	NOMENCLATURE	P E R VEHICLE	MODEL
IG.31)				
A	90462-10006	Clamp	2	40V. LV
B	90480-15007	Grommet, cab wiring harness	3	40V. LV
C	*82220-60012	Harness assy, wiring, cowl	1	40V
	82220-60013	Harness assy, wiring, cowl-①	1	40V
	82220-60170	Harness assy, wiring, cowl OPT (For w/heater)	1	40V
D	90480-46032	Grommet	1	40V. LV
E	90480-01050	Grommet	2	40V. LV
F	90462-10004	Clamp, large	1	40V. LV
G	90480-19048	Grommet (For wiring harness)	1	40V. LV
H	*82370-60010	Wire assy, wiper switch to wiper	1	40V. LV
	82370-60030	Wire assy, wiper switch to wiper-②	1	40V. LV
I	90462-08002	Clamp, windshield wiper rubber hose	9	40V. LV
J	90462-10008	Clamp, wiring harness	4	40V. LV
K	90480-90301	Grommet-②	2	40V. LV
L	82521-60020	Wire, interial field-②	1	40V. LV
M	90463-08030	Clamp	7	40V. LV
N	90480-17008	Grommet	2	40V. LV
O	82470-60010	Wire assy, license lamp feed	1	40V. LV
P	*82420-60010	Wiring assy, chassis	1	40V. LV
	82420-60011	Wiring assy, chassis	1	40V. LV
	*82420-60090	Wiring assy, chassis (For Australia)	1	40V
	82420-60091	Wiring assy, chassis (For Australia)	1	40V
Q	82380-60010	Wiring assy, trailer socket	1	40V. LV
R	82240-60010	Wiring assy, headlamp junction	1	40V. LV
S	90480-46033	Grommet	1	40V. LV
T	94512-00800	Washer, spring (8)	5	
U	91111-40816	Bolt (hex-hd. 8-1.25p×16)	5	
V	93510-13008	Screw, tapping	9	
W	82310-30060	Wiring assy, to back up lamp switch OPT (For floor shift)	1	40V. LV. 45V. LV

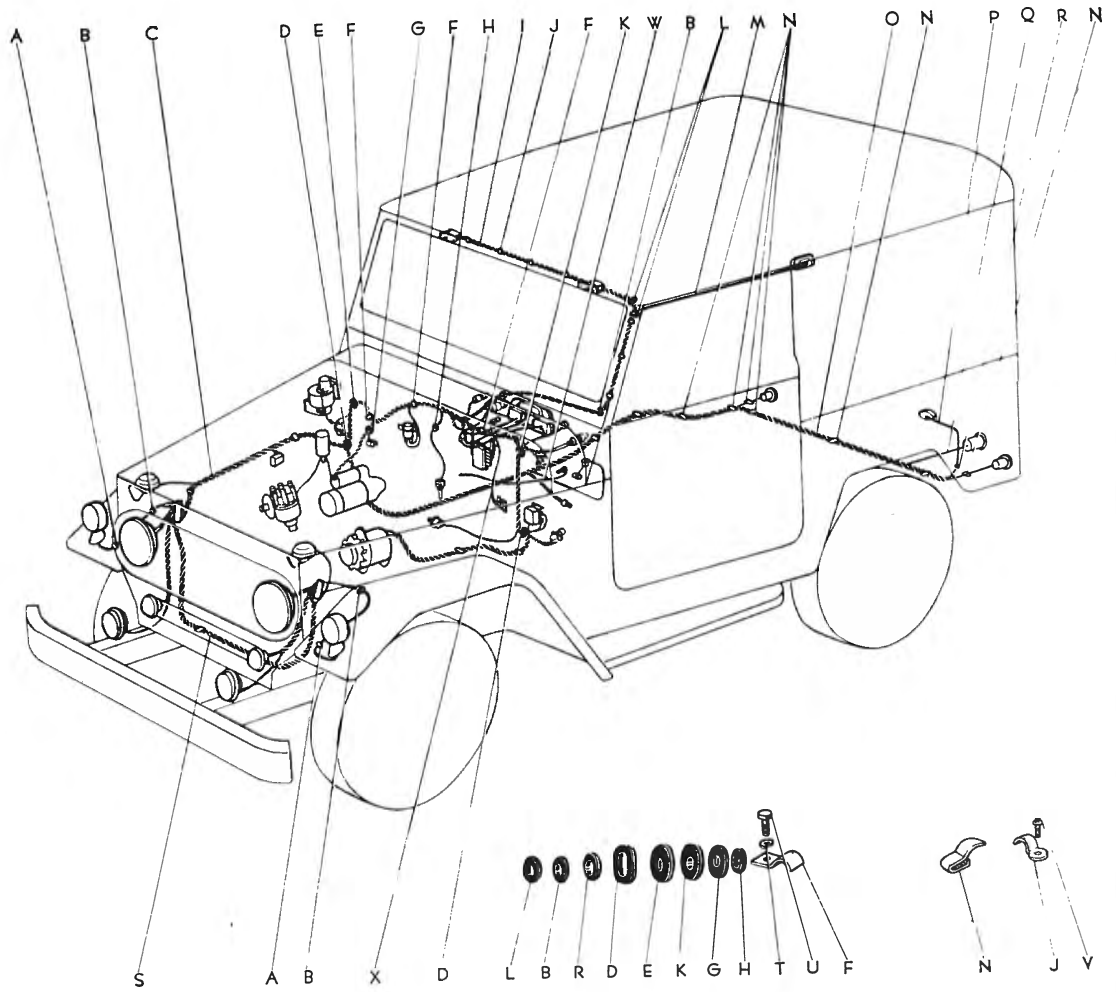
* Old Part

① from Frame No. FJ40-38774

② from Frame No. FJ40-36364

ELECT.

FIG.—32 WIRING HARNESS & CLAMP (FJ40LV)



E 0978-B

Toyota Land Cruiser

97

-US- TRATION	PART NO.	NOMENCLATURE	P E R VEHICLE	MODEL
Wiring Harness & Clamp (FJ40LV)				
(G.32)				
A	90462-10006	Clamp	2	40V. LV
B	90480-15007	Grommet, cab wiring harness	3	LV
C	★82220-60120	Harness assy, wiring cowl	1	LV
	82220-60121	Harness assy, wiring cowl-①	1	LV
D	90480-01050	Grommet	2	40V. LV
E	90480-46032	Grommet	1	40V. LV
F	90462-10004	Clamp, large	3	40V. LV
G	90480-46033	Grommet	1	40V. LV
H	90480-19048	Grommet (For wiring harness)	1	40V. LV
I	★82370-60010	Wire assy, wiper switch to wiper	1	40V. LV
	82370-60030	Wire assy, wiper switch to wiper-②	1	40V. LV
	90462-08002	Clamp, windshield wiper rubber hose	9	40V. LV
K	90480-46041	Grommet	1	40V. LV
L	90480-90301	Grommet 2	2	40V. LV
M	82521-60020	Wire, interial field-②	1	40V. LV
N	90463-08030	Clamp	9	40V. LV
O	★82420-60010	Wiring assy, chassis	1	40V. LV
	82420-60011	Wiring assy, chassis	1	40V. LV
	82470-60010	Wire assy, license lamp feed	1	40V. LV
Q	82380-60010	Wiring assy, trailer socket	1	40V. LV
R	90480-17008	Grommet	1	40V. LV
S	82240-60010	Wiring assy, headlamp junction	1	40V. LV
T	94511-00800	Washer, spring (8)	3	
U	91111-40816	Bolt (hex-hd. 8-1.25p×16)	3	
	93510-13008	Screw, tapping	9	
V	82310-30060	Wiring assy, to back up lamp switch OPT (For floor shift)	1	40V. LV. 45V. LV
X	82039-60010	Wiring sub-assy, hazard warning signal OPT (For U.S.A.)-③	1	LV LV
	99118-62915	Fuse (15amp.) OPT (For U.S.A.)-③	1	LV LV

Old Part

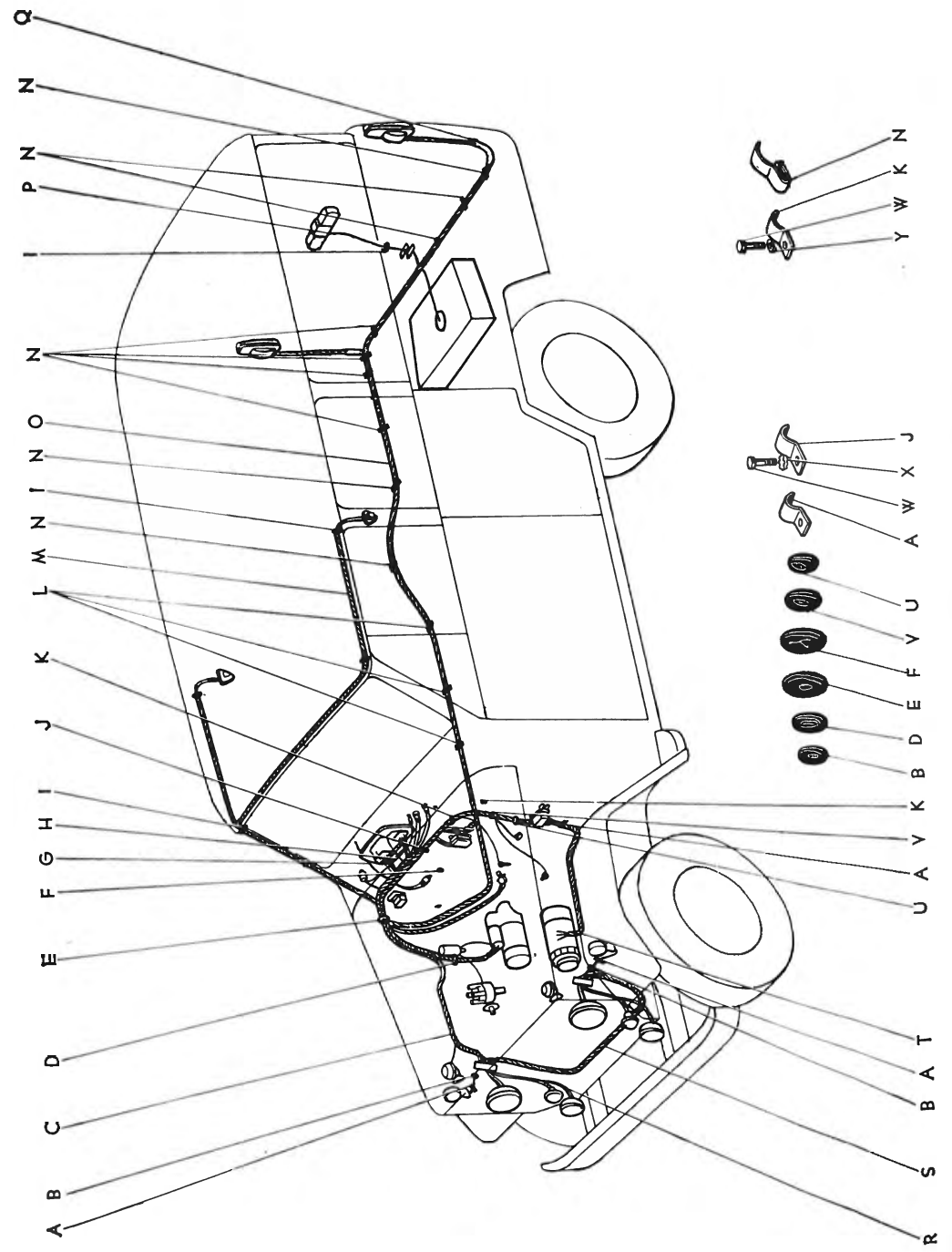
① from Frame No. FJ40-38774

② from Frame No. FJ40 36364

③ from Frame No. FJ40-45478

ELECT.

FIG.—33 WIRING HARNESS & CLAMP (FJ45Y)—Old



Toyota Land Cruiser

99

ILLUSTRATION	PART NO.	NOMENCLATURE	P E R VEHICLE	MODEL
--------------	----------	--------------	------------------	-------

Wiring Harness & Clamp (FJ45V)-Old

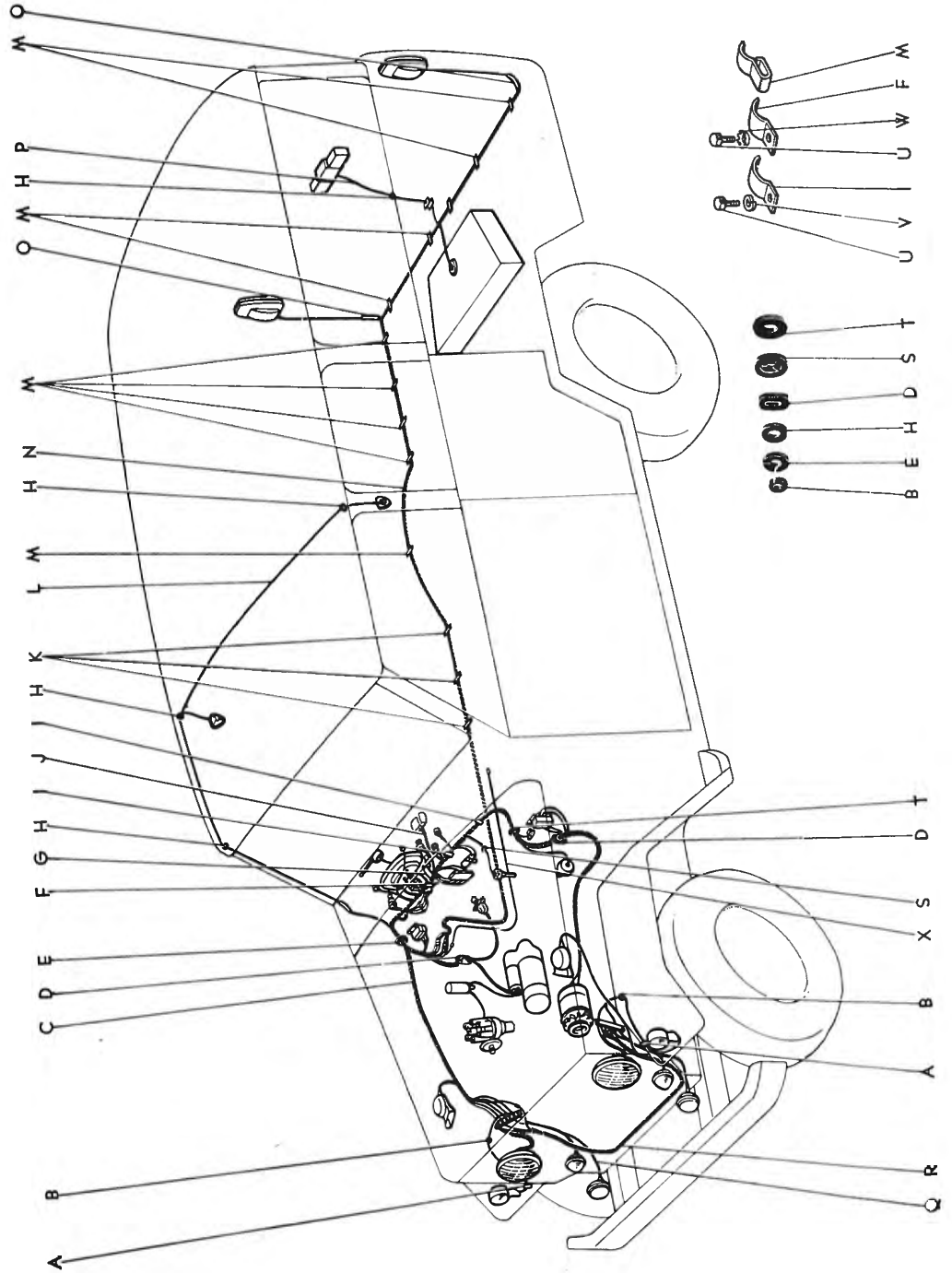
(FIG.33)				
A	90462-10006	Clamp	3	40V. LV. 45V. LV
B	90480-15007	Grommet, cab wiring harness	2	40V. LV. 45V. LV
C	★82220-60071	Harness assy, wiring cowl	1	45V
	★82220-60100	Harness assy, wiring cowl OPT	1	45V
D	90480-01051	Grommet	1	40V. LV. 45V. LV
E	90480-46032	Grommet	1	40V. LV. 45V. LV
F	90480-19048	Grommet (For wiring harness)	3	40V. LV. 45V. LV
G	82730-92000	Harness assy, windshield wiper wire	1	45V. LV
H	82211-60010	Wire, instrument panel lamp feed	1	40V. LV. 45V. LV
I	82811-92000	Rubber, license lamp wire harness bushing	5	45V. LV
J	90462-10004	Clamp, cable large	1	40V. LV. 45V. LV
K	90462-10008	Clamp, wiring harness	2	40V 45V
L	90462-10034	Clamp	3	45V. LV
M	★82510-92000*	Harness assy, room lamp wire		
		-(Replaced by 82501-92001 & 82051-92000)	1	45V. LV
	82501-92001	Harness sub-assy, room lamp wire	1	45V LV
	82051-92000	Harness sub-assy, room lamp short	1	45V. LV
N	90463-08030	Clamp	9	40V. LV. 45V. LV
O	★82420-60070	Wiring assy, chassis-①	1	45V. LV
P	82470-92000	Harness assy, license lamp wire	1	45V. LV
	82407-92050	Harness sub-assy, license lamp wire OPT	1	45V. LV
	82047-92000	Harness sub-assy, license lamp connecting wire OPT	1	45V. LV
Q	80248-92000	Pipe, wire harness guide	2	45V. LV
R	82024-60010	Wire sub-assy, fog lamp feed OPT	1	40V 45V
S	82240-60040	Wiring assy, headlamp junction	1	45V
T	★82250-60010	Wiring assy, to generator	1	40V. LV. 45V. LV
U	★90480-20023	Grommet	1	40V. LV. 45V. LV
V	90480-46033	Grommet	1	40V. LV. 45V. LV
W	91111-40816	Bolt (hex-hd. 8-1.25p×16)	3	
X	94524-00800	Washer, toothed (8)	1	
Y	94512-00800	Washer, spring (8)	2	

★ Old Part

① up to Frame No. FJ45-25863

ELECT.

FIG.—34 WIRING HARNESS & CLAMP (FJ45V)



Toyota Land Cruiser

101

ILLUS-
TRATION PART NO.

NOMENCLATURE

P E R
VEHICLE

MODEL

Wiring Harness & Clamp (FJ45V)

(FIG.34)

A	90462-10006	Clamp	2	40V. LV. 45V. LV
B	90480-15007	Grommet, cab wiring harness	2	40V. LV. 45V. LV
C	*82220-60072	Harness assy, wiring, cowl	1	45V
	82220-60151	Harness assy, wiring cowl-①	1	45V
	*82220-60101	Harness assy, wiring cowl OPT (For alternator OPT)	1	45V
	82220-60180	Harness assy, wiring cowl OPT (For w/heater)	1	45V
D	90480-01050	Grommet	2	40V. LV. 45V. LV
E	90480-46032	Grommet	1	40V. LV. 45V. LV
F	*90462-10004	Clamp, cable large	1	40V. LV. 45V. LV
	90463-08024	Clamp-④	1	40V. LV. 45V. LV
G	82211-60010	Wire, instrument panel lamp feed	1	40V. LV. 45V. LV
H	82811-92000	Rubber, license lamp wire harness bushing	5	45V. LV
I	90462-10008	Clamp, wiring harness	2	40V 45V
J	82730-92000	Harness assy, windshield wiper wire	1	45V. LV
K	90462-10034	Clamp	3	45V. LV
L	*82510-92000*	Harness assy, room lamp wire		
		-(Replaced by 82501-92001 & 82501-92000)	1	45V. LV
	82501-92001	Harness sub-assy, room lamp wire	1	45V. LV
	82051-92000	Harness sub-assy, room lamp short	1	45V. LV
M	90463-08030	Clamp	9	40V. LV. 45V. LV
N	*82420-60070	Harness assy, chassis wire	1	45V. LV
	82420-60071	Harness assy, chassis wire-②	1	45V. LV
O	80248-92000	Pipe, wire harness guide	2	45V. LV
P	82470-92000	Harness assy, license lamp wire	1	45V. LV
	82407-92050	Harness sub-assy, license lamp wire OPT	1	45V. LV
	82047-92000	Harness sub-assy, license lamp connecting wire OPT	1	45V. LV
Q	82024-60010	Wire sub-assy, fog lamp feed OPT	1	40V 45V
R	82240-60040	Wiring assy, headlamp junction	1	45V
S	90480-19048	Grommet (For wiring harness)	3	40V. LV. 45V. LV
T	90480-46033	Grommet	1	40V. LV. 45V. LV
J	*91111-40816	Bolt (hex-hd. 8-1.25p×16)-③	3	
V	94512-00800	Washer, spring (g)	2	
W	*94524-00800	Washer, toothed (g)-③	1	
X	82310-30060	Wiring assy, to back up lamp switch OPT		
		(For floor shift)	1	40V. LV. 45V. LV

* Old Part

① from Frame No. FJ45-25309

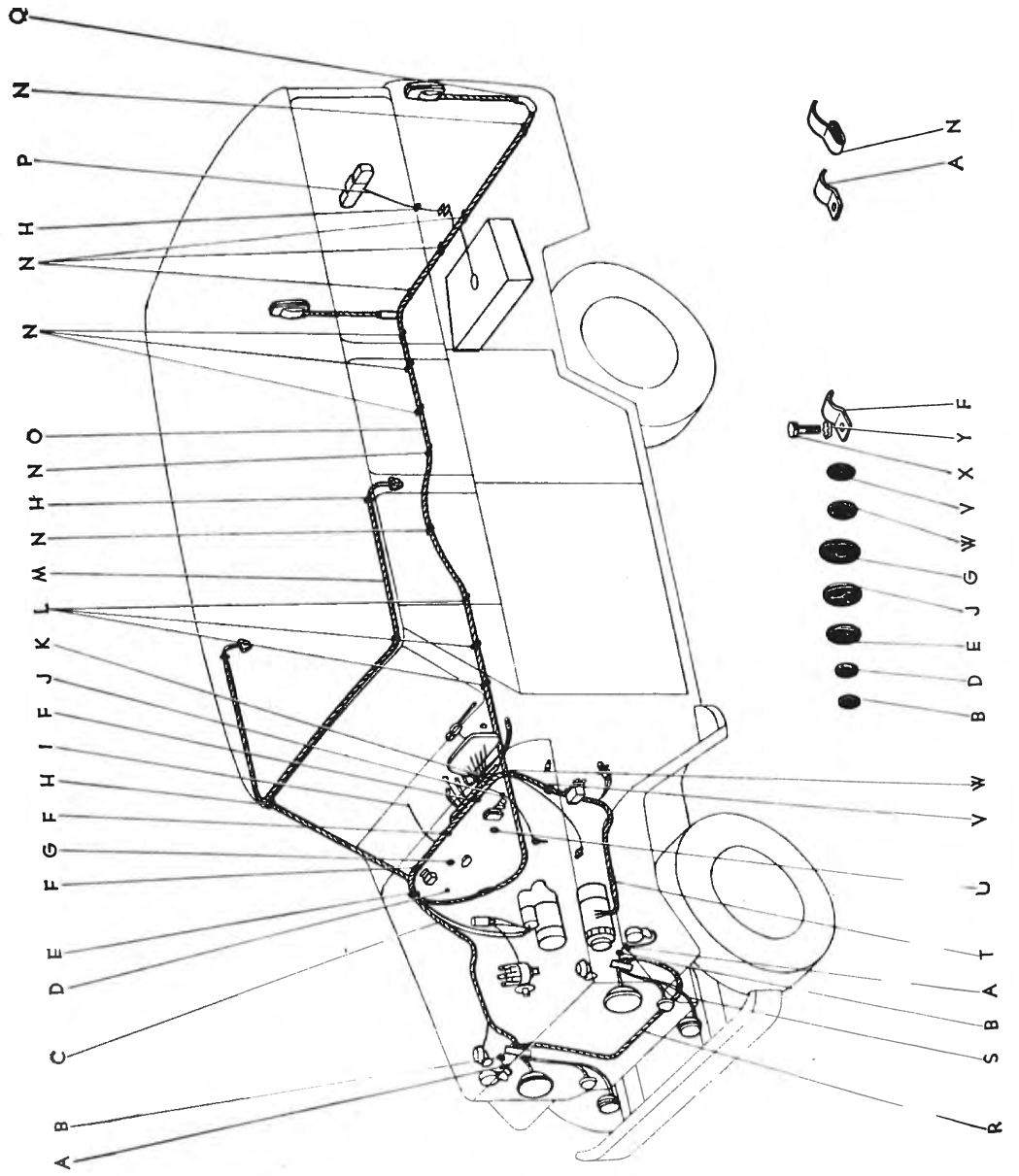
② from Frame No. FJ45-25864

③ from Frame No. FJ45-27178

④ from Frame No. FJ45-27179

ELECT.

FIG.—35 WIRING HARNESS & CLAMP (FJ45LV)—Old



Toyota Land Cruiser

103

ILLUSTRATION	PART NO.	NOMENCLATURE	P E R VEHICLE	MODEL
--------------	----------	--------------	------------------	-------

Wiring Harness & Clamp (FJ45LV)-Old

(FIG.35)

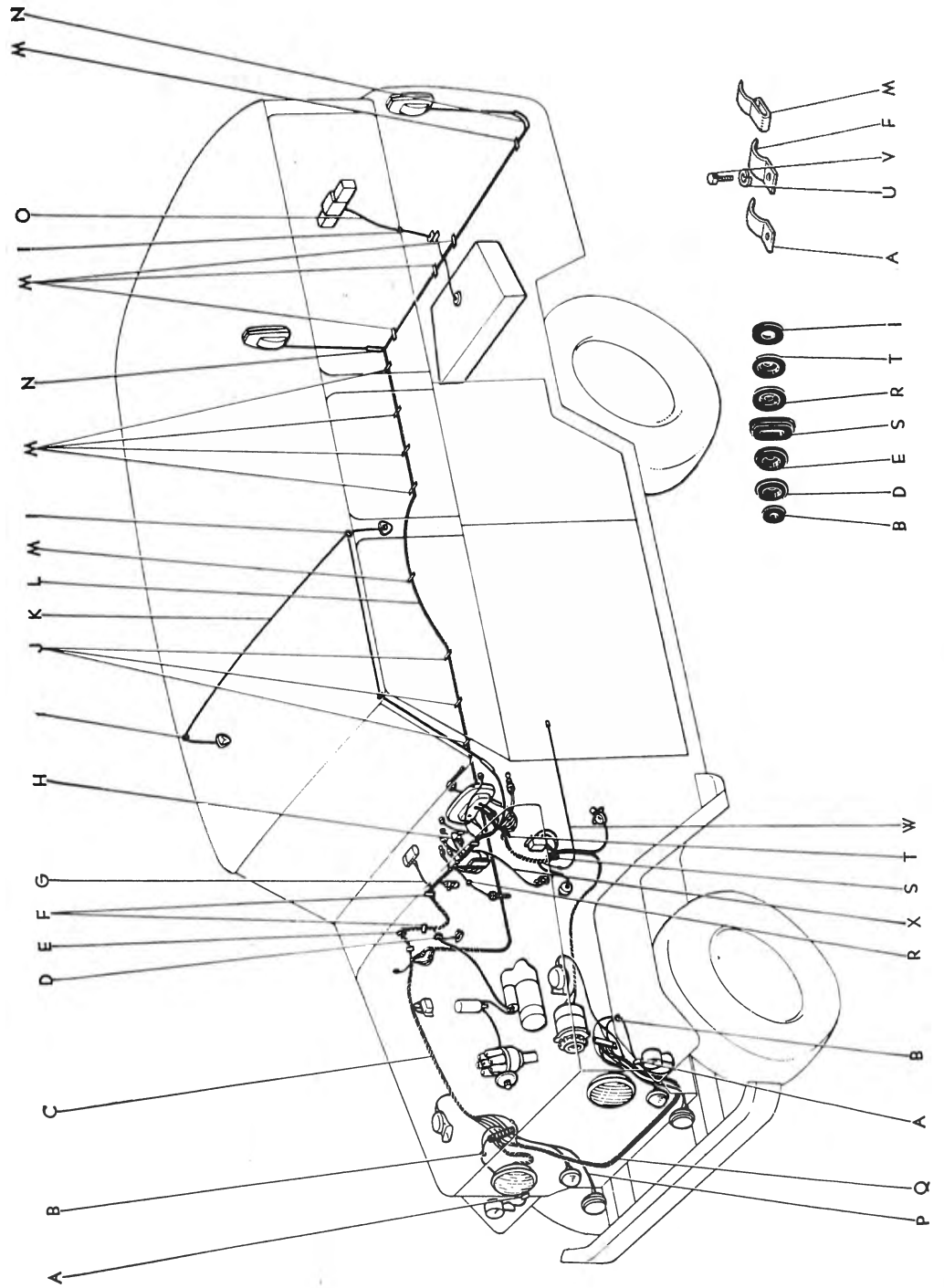
A	90462-10006	Clamp	2	40V. LV. 45V. LV
B	90480-15007	Grommet, cab wiring harness	2	40V. LV. 45V. LV
C	★82220-60041	Harness assy, wiring cowl	1	LV
	★82220-60110	Harness assy, wiring cowl OPT	1	LV
D	★90480-01051	Grommet	1	40V. LV. 45V. LV
E	90480-46032	Grommet	1	40V. LV. 45V. LV
F	90462-10004	Clamp, cable large	1	40V. LV. 45V. LV
G	90480-46033	Grommet	1	40V. LV. 45V. LV
H	82811-92000	Rubber, license lamp wire harness bush	5	45V. LV
I	82730-92000	Harness assy, windshield wiper wire	1	45V. LV
J	90480-19048	Grommet (For wiring harness)	3	40V. LV. 45V. LV
K	82211-60010	Wire, instrument panel lamp feed	1	40V. LV. 45V. LV
L	90462-10034	Clamp	3	45V. LV
M	★82510-62000*	Harness assy, room lamp wire	1	45V. LV
	82501-92001	Harness sub-assy, room lamp wire	1	45V. LV
	82051-92000	Harness sub-assy, room lamp short	1	45V. LV
N	90463-08030	Clamp	9	40V. LV. 45V. LV
O	★82420-60070	Harness assy, chassis wire-①	1	45V. LV
P	82470-92000	Harness assy, license lamp wire	1	45V. LV
	82407-92050	Harness sub-assy, license lamp wire OPT	1	45V. LV
	82047-92000	Harness sub-assy, license lamp connecting wire OPT	1	45V. LV
Q	80248-92000	Pipe, wire harness guide	2	45V. LV
R	82240-60010	Wiring assy, headlamp junction	1	LV
S	82024-60020	Wire sub-assy, fog lamp feed OPT	1	LV, LV
T	★82250-60010	Wiring assy, to generator	1	40V. LV. 45V. LV
U	★90480-26043	Grommet	1	LV
V	★90480-20023	Grommet	1	40V. LV. 45V. LV
W	90480-46041	Grommet	1	LV, LV
X	91111-40816	Bolt (hex-hd. 8—1.25p×16)	3	
Y	94524-00800	Washer, toothed (8)	1	

Old Part

① up to Frame No. FJ45-25863

ELECT.

FIG.—36 WIRING HARNESS & CLAMP (FJ451V)



Toyota Land Cruiser

105

ILLUS- TRATION	PART NO.	NOMENCLATURE	P E R VEHICLE	MODEL
-------------------	----------	--------------	------------------	-------

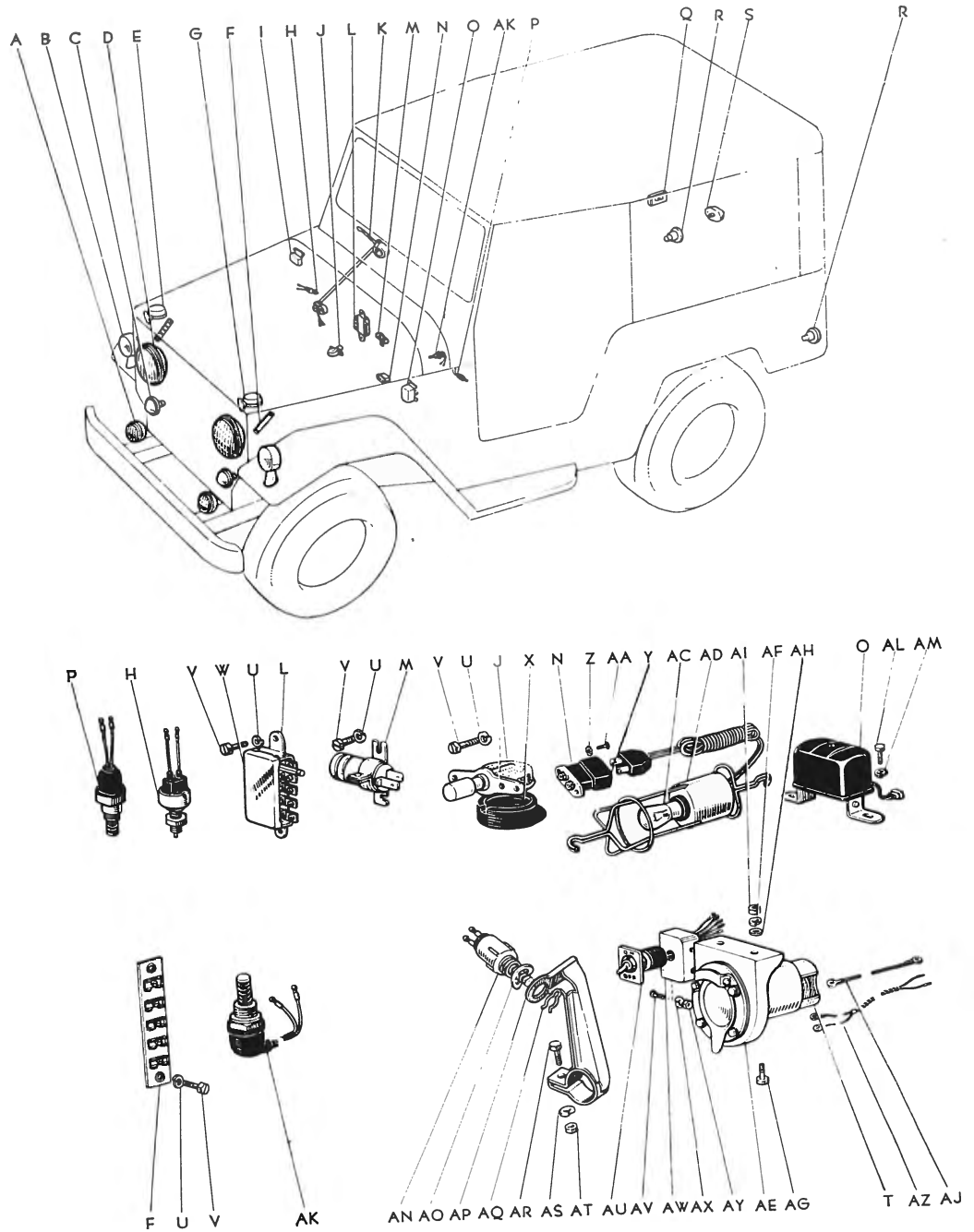
Wiring Harness & Clamp (FJ45LV)

FIG.36)				
A	90462-10006	Clamp	2	40V. LV. 45V. LV
B	90480-15007	Grommet, cab wiring harness	2	40V. LV. 45V. LV
C	★82220-60120	Harness assy, wiring cowl	1	LV
	82220-60141	Harness assy, wiring cowl-①	1	LV
D	90480-46033	Grommet	1	40V. LV. 45V. LV
E	90480-46032	Grommet	1	40V. LV. 45V. LV
F	★90462-10004	Clamp, cable large	3	40V. LV. 45V. LV
	90463-08024	Clamp-④	3	40V. LV. 45V. LV
G	82730-92000	Harness assy, windshield wiper wire	1	45V. LV
H	82211-60010	Wire, instrument panel lamp feed	1	40V. LV. 45V. LV
I	82811-92000	Rubber, license lamp wire harness bushing	5	45V. LV
J	90462-10034	Clamp	3	45V. LV
K	★82510-92000*	Harness assy, room lamp wire		
		(Replaced by 82501-92001 & 82051-92000)	1	45V. LV
	82501-92001	Harness sub-assy, room lamp wire	1	45V. LV
	82051-92000	Harness sub-assy, room lamp short	1	45V. LV
	82510-92170	Harness assy, room lamp wire (For U.S.A.)	1	LV
L	★82420-60070	Harness assy, chassis wire	1	45V. LV
	82420-60071	Harness assy, chassis wire-②	1	45V. LV
M	04963-08030	Clamp	9	40V. LV. 45V. LV
N	80248-92000	Pipe, wire harness guide	2	45V. LV
O	82470-92000	Harness assy, license lamp wire	1	45V. LV
	82407-92050	Harness sub-assy, license lamp wire OPT	1	45V. LV
	82047-92000	Harness sub-assy, license lamp connecting wire OPT	1	45V. LV
P	82024-60020	Wire sub-assy, fog lamp feed OPT	1	LV
Q	82240-60010	Wiring assy, headlamp junction	1	LV
R	90480-19048	Grommet (For wiring harness)	1	40V. LV. 45V. LV
S	90480-01050	Grommet	1	40V. LV. 45V. LV
T	90480-46041	Grommet	1	LV LV
U	★94512-00800	Washer, spring (8)-⑤	3	
V	★91111-40816	Bolt (hex-hd. 8-1.25p×16)-⑤	3	
W	82310-30060	Wiring assy, to back up lamp switch OPT		
		(For floor shift)	1	40V. LV. 45V. LV
X	82039-60010	Wiring sub-assy, hazard warning signal OPT		
		(For U.S.A.)-③	1	LV LV
	99118-62918	Fuse (15amp.) OPT (For U.S.A.)-③	1	LV LV

★ Old Part
 ① from Frame No. FJ45-25164 ② from Frame No. FJ45-25864
 ③ from Frame No. FJ45-27630 ④ from Frame No. FJ45-27179 ⑤ up to Frame No. FJ45-27178

ELECT.

FIG.—37 LAMP & SWITCH (FJ40V)



Toyota Land Cruiser

107

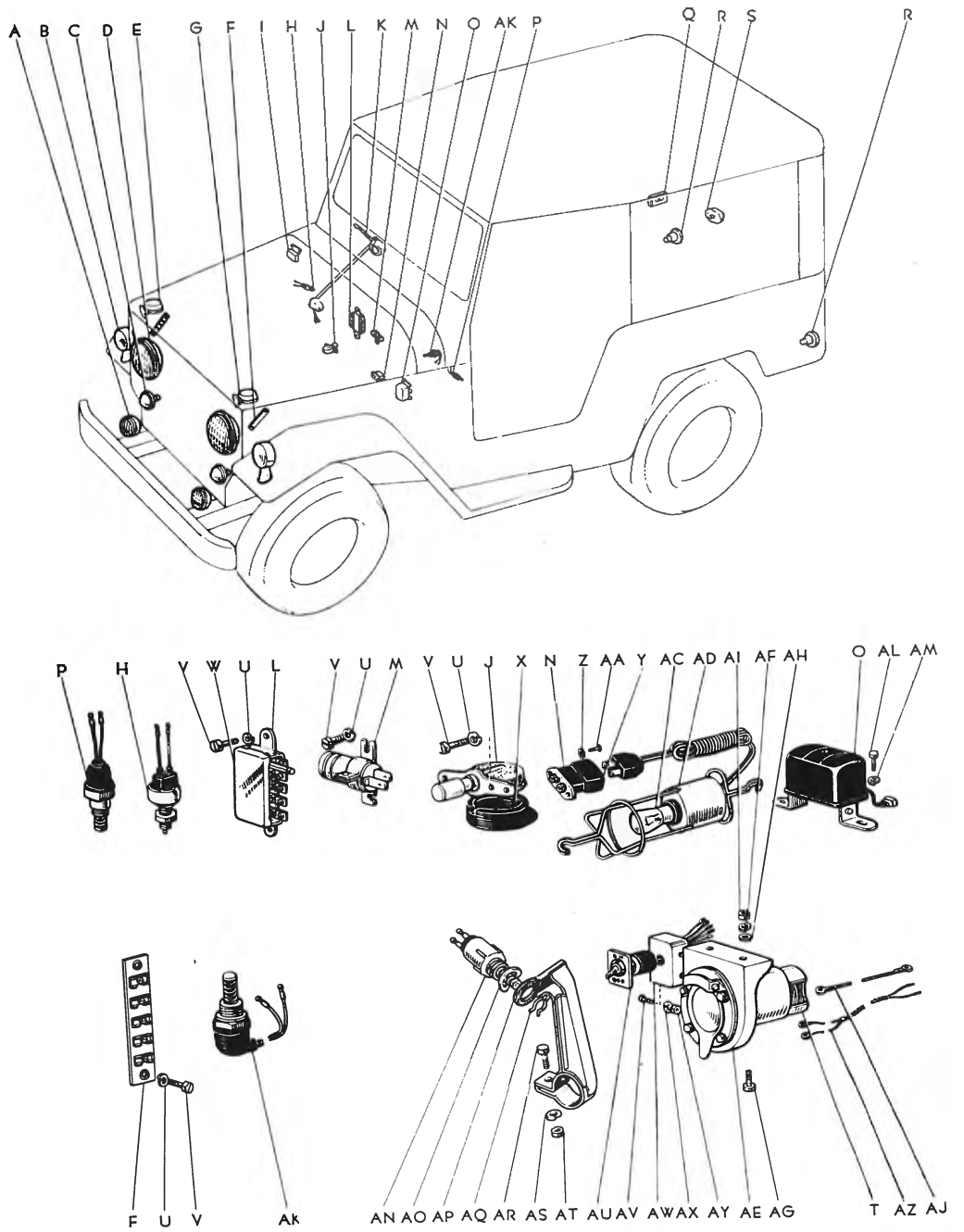
ILLUS- TRATION	PART NO.	NOMENCLATURE	P E R VEHICLE	MODEL
Lamp & Switch (FJ40V)				
(FIG.37)				
A	81210-60010	Lamp assy, fog (12V 35W) OPT (Refer Fig.—115 of Parts Catalog Model FJ40)	2	40V. LV
B	81510-60040	Lamp assy, front turn signal (12V 25W) (Refer Fig.—39)	2	40V. LV
C	81510-60010	Lamp assy (For parking) (12V 8W) (Refer Fig.—113 of Parts Catalog Model FJ40)	2	40V. LV
D	81110-60010	Headlamp assy (12V 50/40W) (Refer Fig.—113 of Parts Catalog Model FJ40)	2	40V
E	86510-30030 86510-30020	Horn assy, high pitched } Horn assy, high pitched } (Refer Fig.—116 & 117 of Parts Catalog Model FJ40)	1	40V. LV
F	82670-30020	Block assy, junction	2	40V. LV
G	86520-30030 86520-30020	Horn assy, low pitched } Horn assy, low pitched } (Refer Fig.—116 & 117 of Parts Catalog Model FJ40)	1	40V. LV
H	84340-30011	Switch assy, stop lamp	1	40V. LV
I	86530-20040	Relay assy, horn	1	40V. LV
	86530-20030 86530-20031	Relay assy, horn (Replaced by 86530-20031) } Relay assy, horn } (Refer Fig.—116 & 117 of Parts Catalog Model FJ40)	1	40V. LV
J	84140-59620	Switch assy, headlamp dimmer (includes illustration—X of Fig.—37)	1	40V. LV
K	84310-60010	Switch assy, turn signal	1	40V
L	82610-60031	Block assy, fuse (includes illustration—W of Fig.—37)	1	40V
	99118-62930	Fuse (15 amp.)	2	40V. LV
	99118-62915	Fuse (30 amp.)	2	40V. LV
	99118-62905	Fuse (5 amp.)	1	40V. LV
M	*81980-35010	Flasher assy, turn signal	1	40V
	81980-20040	Flasher assy, turn signal-①	1	40V. LV
N	81420-35010	Socket assy, inspection lamp (includes illustration—Y of Fig.—37)	1	40V. LV
O	27700-40010	Regulator assy, generator	1	40V. LV
P	84610-30010	Switch assy (For front drive indicator)	1	40V. LV

Old Part

① from Frame No. FJ40-38774

ELECT.

FIG.—37 LAMP & SWITCH (FJ40V)



E 1395

Toyota Land Cruiser

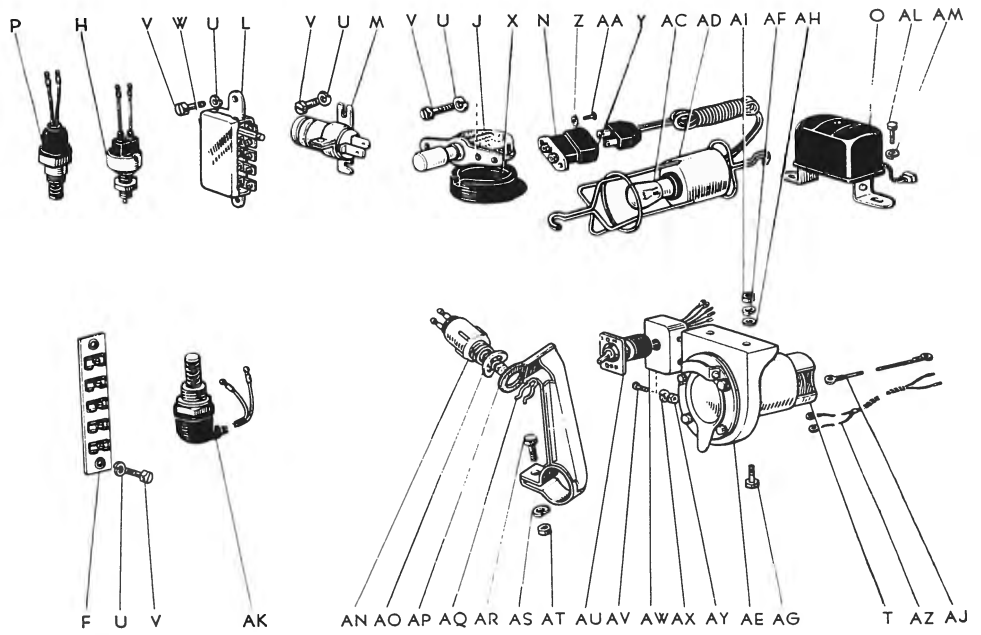
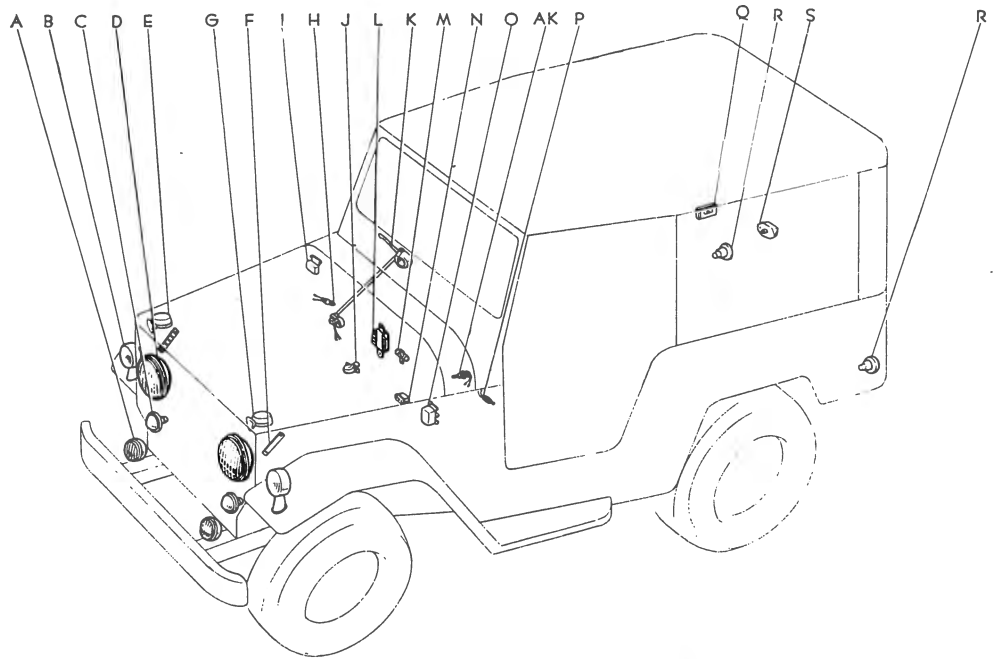
109

ILLUS- TRATION	PART NO.	NOMENCLATURE	P E R VEHICLE	MODEL
(FIG.37)				
Q	81240-21010	Lamp assy, pillar—(from Frame No. FJ40-36364) (Refer Fig.—40)	1	40V. LV
R	81550-60011	Lamp assy, rear combination (12V 25/8W) (Refer Fig.—113 of Parts Catalog Model FJ40)	2	40V. LV
	81550-60050	Lamp assy, rear combination, RH (12V 25/8W) (For Australia)	1	40V
	81560-36010	Lamp assy, rear combination, LH (12V 25/8W) (For Australia)	1	40V
S	81270-60010	Lamp assy, license plate (12V 10W) (Refer Fig.—40)	1	40V
T	*82910-60010	Socket assy, trailer OPT	1	40V. LV
	82910-60020	Socket assy, trailer OPT—(from Frame No. FJ40-43554)	1	40V. LV
U	94512-00600	Washer, spring (6)	8	
V	93180-16016	Screw (hex-hd. 6—1.0p×16)	8	
W	82611-60030	Cover, fuse block	1	40V
X	84141-59610*	Cover, headlamp dimmer switch —(Replaced by 84140-59620)	1	40V. LV
Y	81431-39610*	Cover, inspection lamp consent —(Replaced by 81420-35010)	1	40V. LV
Z	94521-00400	Washer, toothed (4)	2	
AA	93110-14010	Screw (rd-hd. 4—0.75p×10)	2	
AB	81401-35010*	Plug sub-assy, inspection lamp —(Replaced by 81370-60010)	1	40V. LV
AC	90981-12003	Bulb (12V 24W)	1	40V. LV
AD	81370-60010	Lamp assy, inspection (includes illustrations—AB, AC of Fig.—37)	1	40V. LV
AE	82951-90310	Bracket, trailer socket OPT	1	40V. LV
AF	94511-00800	Washer, spring (8)	2	
AG	91111-40816	Bolt (hex-hd. 8—1.25p×16)	2	
AH	94612-10800	Washer, plate (8×1.6)	2	
AI	94110-40800	Nut (hex. 8—1.25p)	2	
AJ	82381-60010	Wire, trailer socket ground OPT	1	40V. LV
from Frame No. FJ40-43554)				
AK	*84210-57010	Switch assy, back up lamp OPT (For floor shift)	1	40V. LV. 45V. LV
	84210-57011	Switch assy, back up lamp OPT (For floor shift)	1	40V. LV. 45V. LV
AL	93180-16012	Screw (hex-hd. 6—1.0p×12)	2	
AM	94511-00600	Washer, spring (6)	2	

↓ * Old Part

ELECT.

FIG.—37 LAMP & SWITCH (FJ40V)



Toyota Land Cruiser

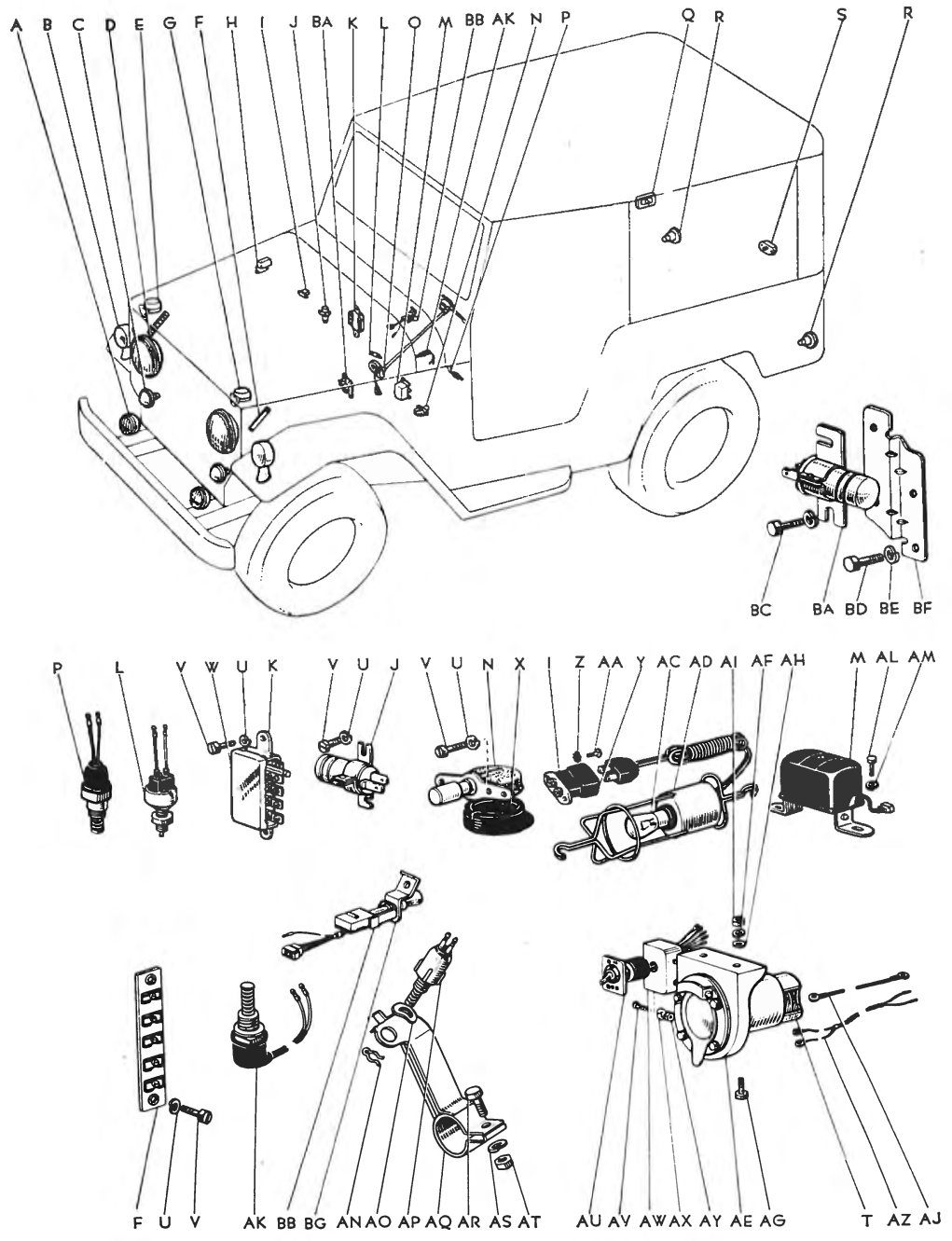
109-2

ILLUS- TRATION	PART NO.	NOMENCLATURE	P E R VEHICLE	MODEL
(FIG.37)				
AN	*84210-30020*	Switch assy, back up lamp OPT -(Replaced by 84210-30021)	1	40V. LV. 45V. LV
	84210-30021	Switch assy, back up lamp OPT	1	40V. LV. 45V. LV
AO	90206-16025	Washer, wave OPT	1	40V. LV. 45V. LV
AP	84095-60010	Bracket sub-assy, back up lamp switch OPT	1	40V 45V
AQ	90524-14001	Spring, retainer OPT	1	40V. LV. 45V. LV
AR	91111-40615	Bolt (hex-hd. 6-1.0p×16)	1	40V. LV. 45V. LV
AS	94511-00600	Washer, spring (6)	1	
AT	94110-40600	Nut (hex. 6-1.0p)	1	
AU	82940-65010	Switch assy, trailer socket change over OPT	1	40V. LV. 45V. LV
AV	93210-14008	Screw (rd-hd. 4-0.75p×8)	2	
AW	82954-60010	Bracket, trailer socket change over switch OPT	1	40V. LV. 45V. LV
AX	94511-00400	Washer, spring (4)	2	
AY	94110-40400	Nut (hex. 4-0.75p)	2	
AZ	82380-60010	Wiring assy, trailer socket OPT	1	40V. LV. 45V. LV

* Old Part

ELECT.

FIG.—38 LAMP & SWITCH (FJ40LV)



Toyota Land Cruiser

111

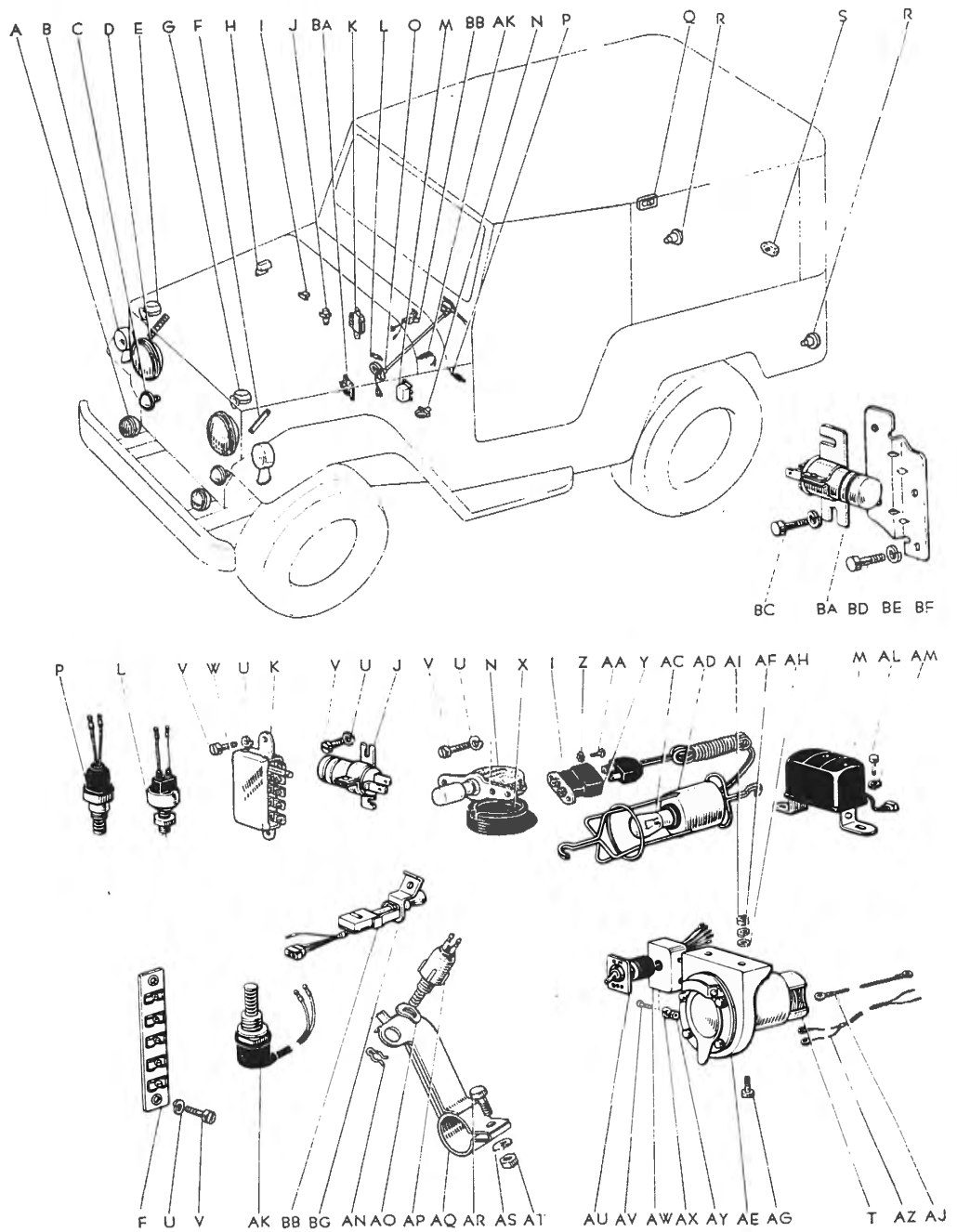
ILLUS- TRATION	PART NO.	NOMENCLATURE	P E R VEHICLE	MODEL
Lamp & Switch (FJ40LV)				
(FIG.38)	04814-60010	Fitting kit, hazard warning signal OPT (For U.S.A.) (includes illustration—X of Fig.—32 and illustrations—BA~BG of Fig.—38)	1	LV LV
A	81210-60010	Lamp assy, fog (12V 35W) OPT (Refer Fig.—115 of Parts Catalog Model FJ40)	2	40V. LV
B	81510-60040	Lamp assy, front turn signal (12V 25W) (Refer Fig.—40)	2	40V. LV
C	81510-60010	Lamp assy (For parking) (12V 8W) (Refer Fig.—113 of Parts Catalog Model FJ40)	2	40V. LV
	81510-60020	Lamp assy (For Parking.) (12V 4cp) (For U.S.A.)	2	LV
D	81110-60020	Headlamp assy (12V 50'40W) (Refer Fig.—113 of Parts Catalog Model FJ40)	2	LV
E	86510-30030 86510-30020	Horn assy, high pitched } Horn assy, high pitched } (Refer Fig.—116 & 117 of Parts Catalog Model FJ40)	1	40V. LV
F	82670-30020	Block assy, junction	2	40V. LV
G	86520-30030 86520-30020	Horn assy, low pitched } Horn assy, low pitched } (Refer Fig.—116 & 117 of Parts Catalog Model FJ40)	1	40V. LV
H	86530-20040 *86530 20030* 86530-20031	Relay assy, horn } Relay assy, horn—(Replaced by 86530-20031) } Relay assy, horn } (Refer Fig.—116 & 117 of Parts Catalog Model FJ40)	1	40V. LV
I	81420-35010	Socket assy, inspection lamp (includes illustration—X of Fig.—38)	1	40V. LV
J	*81980-20020 81980-20040	Flasher assy, turn signa } Flasher assy, turn signal—① } (includes illustration—W of Fig.—38)	1	LV
K	82610-20011	Block assy, fuse	1	40V. LV
	99118-62930	Fuse (30 amp.)	2	40V. LV
	99118-62915	Fuse (15 amp.)	2	40V. LV
	99118-62905	Fuse (5 amp.)	1	40V. LV

Old Part

① from Frame No. FJ40-38774

ELECT.

FIG.—38 LAMP & SWITCH (FJ40LV)



Toyota Land Cruiser

113

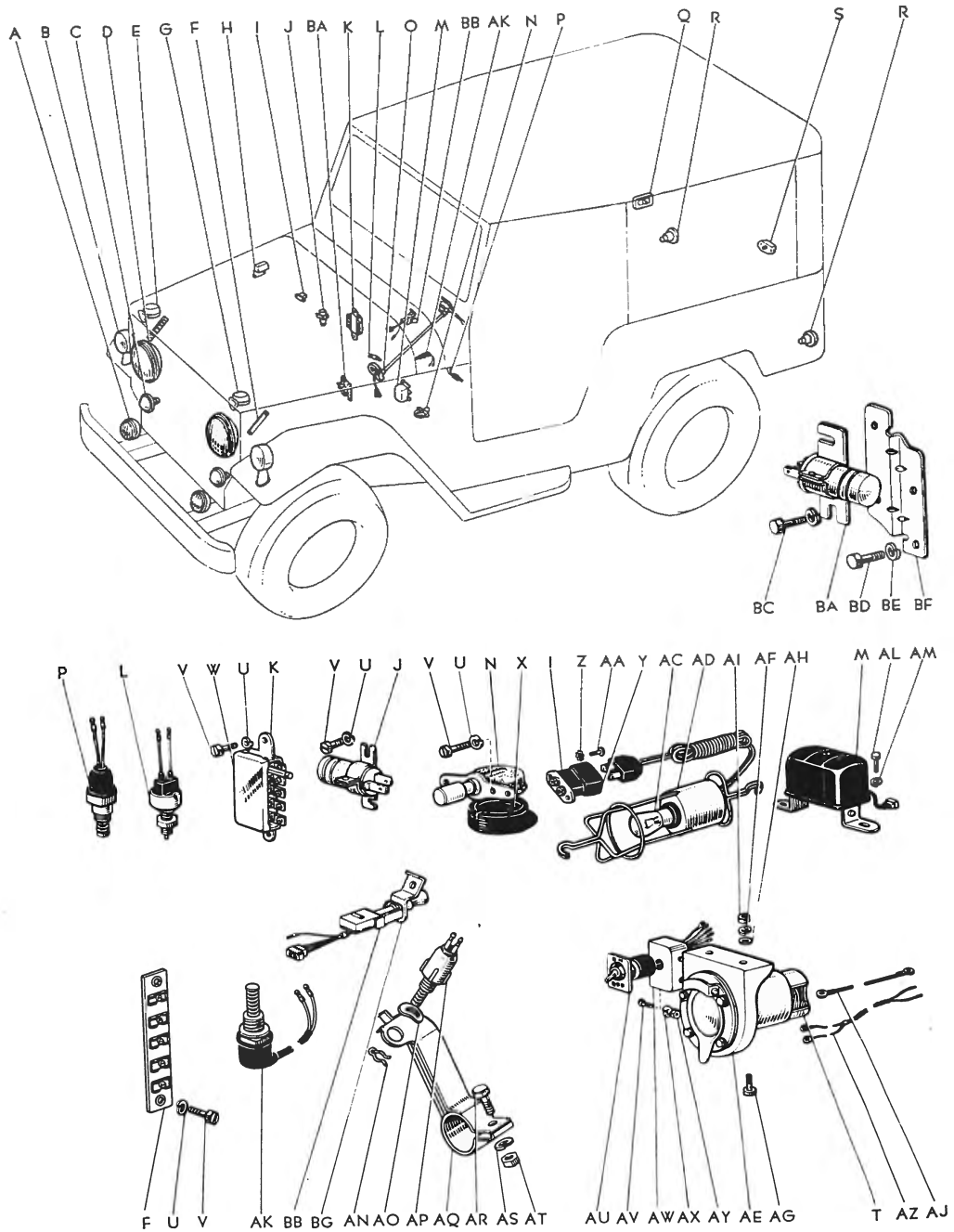
DESCRIPTION	PART NO.	NOMENCLATURE	P E R VEHICLE	MODEL
FIG. 38)				
L	84340-30011	Switch assy, stop lamp	1	40V. LV
M	27700-40010	Regulator assy, generator	1	40V. LV
N	84140-59620	Switch assy, headlamp dimmer (includes illustration—W of Fig.—38)	1	40V. LV
O	84310-60020	Switch assy, turn signal	1	LV
P	84610-30010	Switch assy (For front drive indicator)	1	40V. LV
Q	81240-21010	Lamp assy, pillar-② (Refer Fig.—38)	1	40V. LV
R	81550-60011	Lamp assy, rear combination (12V 25/8W) (Refer Fig.—113 of Parts Catalog Model FJ40)	2	40V. LV
S	81270-60020	Lamp assy, license plate (12V 6cp.) (Refer Fig.—40)	1	LV
T	*82910-60010	Socket assy, trailer OPT	1	40V. LV
	82910-60020	Socket assy, trailer OPT-①	1	
U	94512-00600	Washer, spring (6)	8	
V	93180-16016	Screw (hex-hd. 6—1.0p×16)	8	
W	82611-20010	Cover, fuse block	1	LV
X	84141-59610	Cover, headlamp dimmer switch	1	40V. LV
Y	81431-39610	Cover, inspection lamp consent	1	40V. LV
Z	94521-00400	Washer, toothed (4)	2	
AA	93110-14010	Screw (rd-hd. 4—0.75p×10)	2	
AB	81401-35010*	Plug sub-assy, inspection lamp —(Replaced by 81370-60010)	1	40V. LV
AC	90981-12003	Bulb (12V 24W)	1	40V. LV
AD	81370-60010	Lamp assy, inspection (includes illustrations—AB, AC of Fig.—38)	1	40V. LV
AE	82951-90310	Bracket, trailer socket OPT	1	40V. LV
	94511-00800	Washer, spring (8)	2	
AG	91111-40816	Bolt (hex-hd. 8—1.25p×16)	2	
AH	94612-10800	Washer, plate (8×1.6)	2	
AI	94110-40800	Nut (hex. 8—1.25p)	2	
AJ	82381-60010	Wire, trailer socket ground OPT	1	40V. LV
AK	*84210-57010	Switch assy, back up lamp OPT (For floor shift)-①	1	40V. LV. 45V. LV
	84210-57011	Switch assy, back up lamp OPT (For floor shift)	1	40V. LV. 45V. LV
	93180-16012	Screw (hex-hd. 6—1.0p×12)	2	
AM	94511-00600	Washer, spring (6)	2	

Old Part

① from Frame No. FJ40-43554 ② from Frame No. FJ40-36364

ELECT.

FIG.—38 LAMP & SWITCH (FJ40LV)



Toyota Land Cruiser

113-2

ILLUS- TRATION	PART NO.	NOMENCLATURE	P E R VEHICLE	MODEL
IG.38)				
AN	90524-14001	Spring, retainer OPT-①	1	40V. LV. 45V. LV
AO	90206-16025	Washer, wave OPT-①	1	40V. LV. 45V. LV
AP	*84210-30020*	Switch assy, back up lamp OPT		
		-(Replaced by 84210-30021)-①	1	40V. LV. 45V. LV
	84210-30021	Switch assy, back up lamp OPT	1	40V. LV. 45V. LV
AQ	84095-60021	Bracket sub-assy, back up lamp switch OPT-①	1	LV LV
AR	91111-40616	Bolt (hex-hd 6-1.0p×16)-①	1	
AS	94511-00600	Washer, spring (6)-①	1	
AT	94110-40600	Nut (hex. 6-1.0p)-①	1	
AU	82940-65010	Switch assy, trailer socket change over OPT-①	1	40V. LV. 45V. LV
AV	93210-14008	Screw (rd-hd. 4-0.75p×8)-①	2	
AW	82954-60010	Bracket, trailer socket change over switch OPT-①	1	40V. LV. 45V. LV
AX	94511-00400	Washer, spring (4)-①	2	
AY	94110-40400	Nut (hex. 4-0.75p)-①	2	
AZ	82380-60010	Wiring assy, trailer socket OPT-①	1	40V. LV. 45V. LV
BA	81980-20050	Flasher sub-assy, hazard warning signal OPT		
		(For U.S.A.) 2	1	LV LV
BB	84330-60010	Switch assy, hazard warning signal OPT		
		(For U.S.A.) 2	1	LV LV
BC	91111-40610	Bolt (hex-hd. 6-1.0p×10)-2	2	
BD	91111-40612	Bolt (hex-hd. 6-1.0p×12)-2	2	
BE	94511-00600	Washer, spring (6)-2	4	
BF	81908-60010	Bracket sub-assy, flasher OPT 2	1	LV LV
BG	84967-60010	Bracket, warning switch OPT (For U.S.A.)-2	1	LV LV

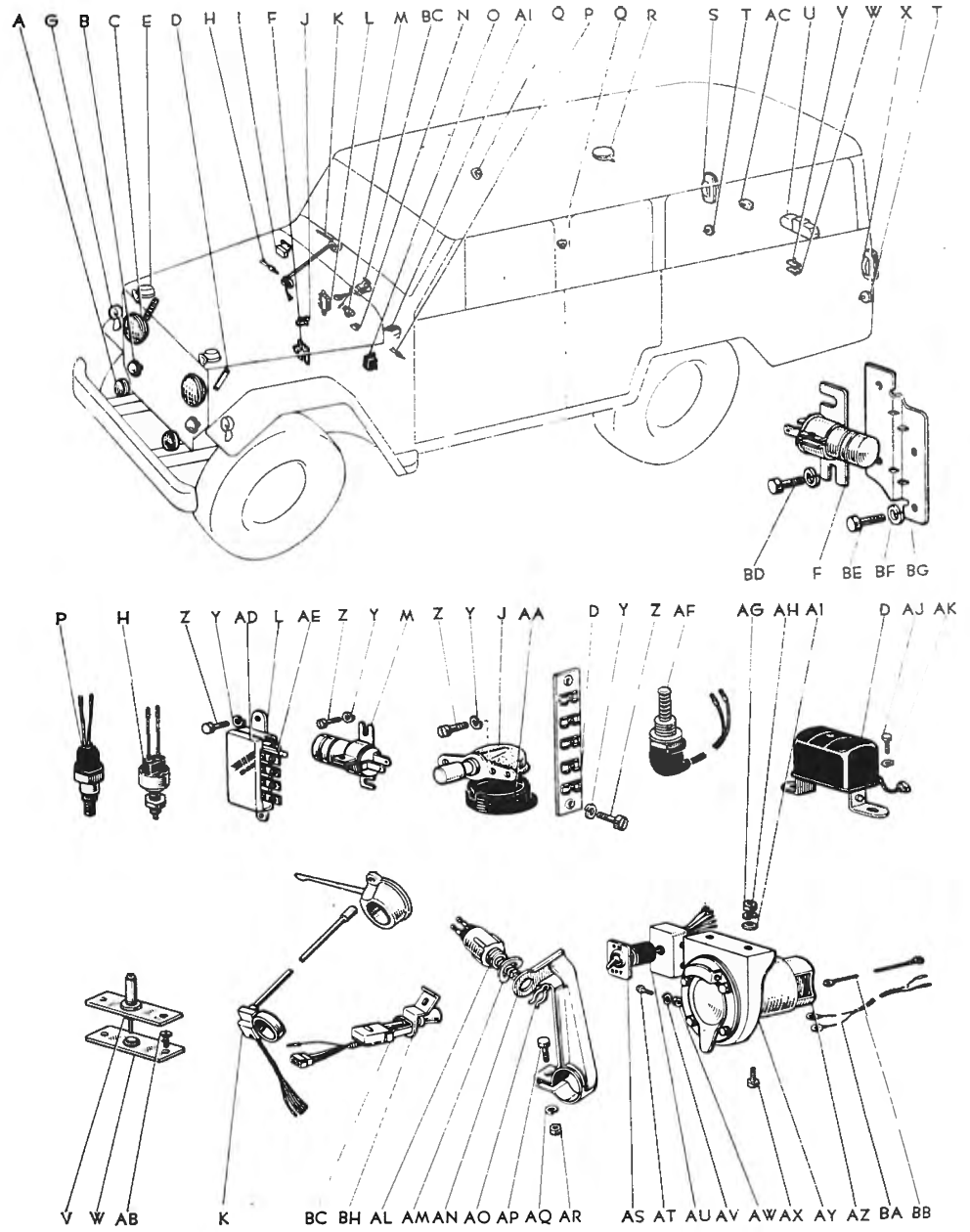
* Old Part

① from Frame No. FJ40-43554

② from Frame No. FJ40-45478

ELECT.

FIG.—39 LAMP & SWITCH (FJ45V, 45LV)



E 1397-A

Toyota Land Cruiser

115

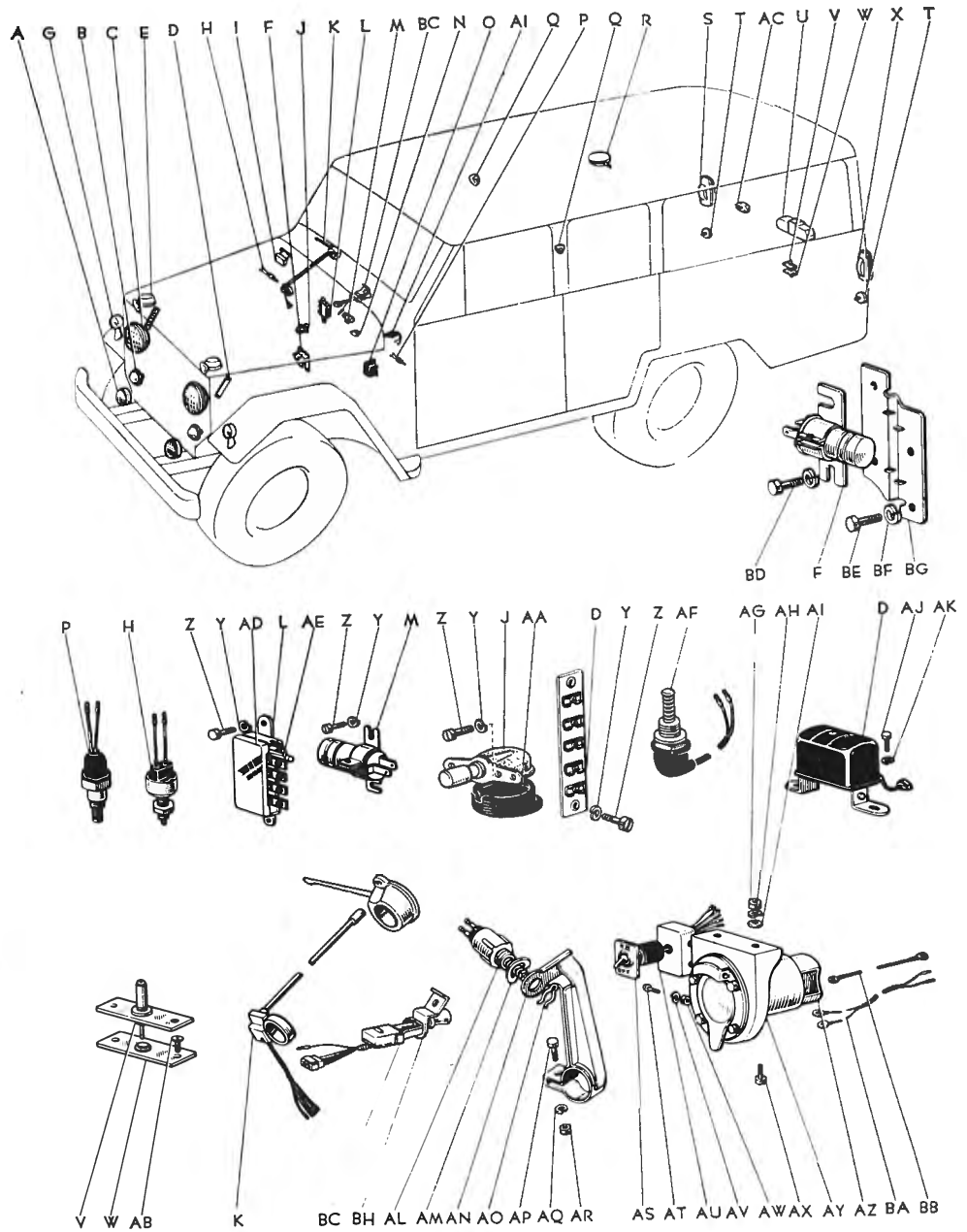
ILLUSTRATION	PART NO.	NOMENCLATURE	P E R V E H I C L E	M O D E L
Lamp & Switch (FJ45V, 45LV)				
FIG.39)	04814-60010	Fitting kit, hazard warning signal OPT (For U.S.A.) (includes illustration—X of Fig.—36 and illustrations—F, BC~ BD of Fig.—39)	1	LV LV
A	81210-60010	Lamp assy, fog (12V 35W) OPT (Refer Fig.—115 of Parts Catalog Model FJ40)	2	40V. LV. 45V. LV
B	81510-60010	Lamp assy (For parking) (12V 25/8W) (32/4cp) (Refer Fig.—113 of Parts Catalog Model FJ40)	2	40V. LV. 45V. LV
C	81110-60010	Headlamp assy (12V 50/40W)	2	40V 45V
	81110-60020	Headlamp assy (12V 50/40W) (Refer Fig.—113 of Parts Catalog Model FJ40)	2	LV LV
D	82670-30020	Block assy, junction	1	40V. LV. 45V. LV
E	86510-30030	Horn assy, high pitched } Horn assy, high pitched }	1	40V. LV. 45V. LV
	86510-30020	Horn assy, high pitched } (Refer Fig.—116 & 117 of Parts Catalog Model FJ40)	1	40V. LV. 45V. LV
	86520-30030	Horn assy, low pitched } Horn assy, low pitched }	1	40V. LV. 45V. LV
	86520-30020	Horn assy, low pitched } (Refer Fig.—116 & 117 of Parts Catalog Model FJ40)	1	40V. LV. 45V. LV
F	81980-20050	Flasher assy, hazard warning signal OPT (For U.S.A.)-①②	1	LV LV
G	81510-60070	Lamp assy, front turn signal (Refer Fig.—41)	2	45V
	81510-60040	Lamp assy, front turn signal	2	LV
H	84340-30011	Switch assy, stop lamp	1	40V. LV. 45V. LV
I	86530-20040	Relay assy, horn	1	40V. LV. 45V. LV
	86530-20030	Relay assy, horn—(Replaced by 86530-20031) }	1	40V. LV. 45V. LV
	86530-20031	Relay assy, horn (Refer Fig.—116 & 117 of Parts Catalog Model FJ40)	1	40V. LV. 45V. LV
J	84140-59620	Switch assy, headlamp dimmer (includes illustration—AA of Fig.—39)	1	40V. LV. 45V. LV
K	84310-60010	Switch assy, turn signal	1	40V 45V
L	84310-60020	Switch assy, turn signal	1	LV LV
M	82610-60031	Block assy, fuse (includes illustration—AD of Fig.—39)	1	40V 45V
	82610-20011	Block assy, fuse	1	LV LV

Old Part

① from Frame No. FJ40-45478 ② from Frame No. FJ45-27630

ELECT.

FIG.—39 LAMP & SWITCH (FJ45V, 45LV)



E 1397-A

Toyota Land Cruiser

117

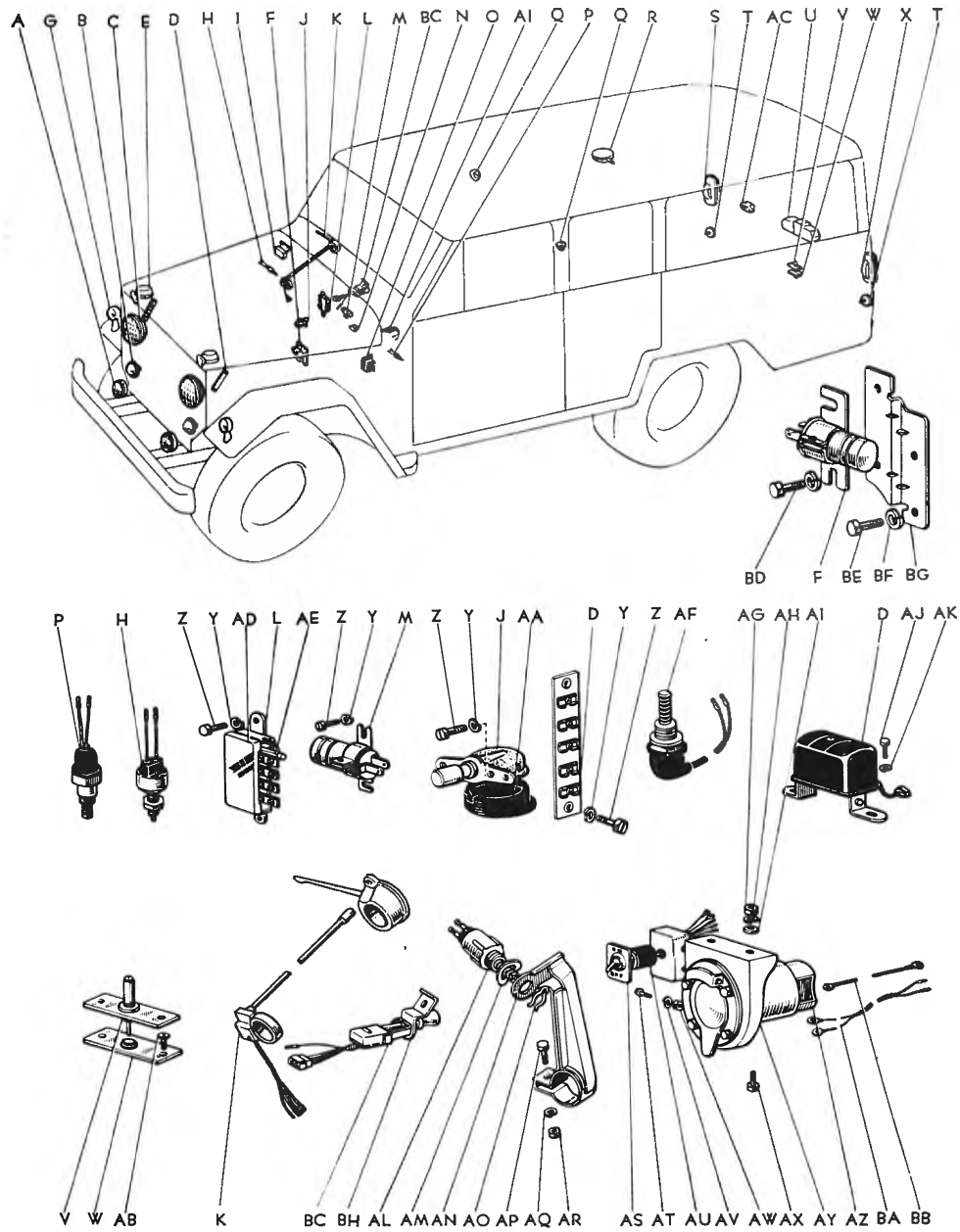
ILLUSTRATION	PART NO.	NOMENCLATURE	P E R VEHICLE	MODEL
FIG.39)				
M	*81980-35010	Flasher assy, turn signa	1	40V 45V
	*81980-20020	Flasher assy, turn signal	1	LV LV
	81980-20040	Flasher assy, turn signal-①②	1	40V. LV. 45V. LV
N	81420-35010	Consent assy, inspection lamp (Refer Fig.—42)	1	40V. LV. 45V. LV
O	27700-40010	Regulator assy, generator	1	40V. LV. 45V. LV
P	84610-30010	Switch assy, over drive lock out (For front drive indicator)	1	40V. LV. 45V. LV
Q	81240-30010	Lamp assy, pillar (Refer Fig.—41)	2	45V. LV
R	81240-61010	Lamp assy, dome (For U.S.A.)	1	LV
S	81550-60040	Lamp assy, rear combination, RH (Refer Fig.—42)	1	45V. LV
T	81910-25010	Reflector assy, reflex (Refer Fig.—42)	1	45V. LV
U	81270-60050	Lamp assy, license w/tail gate handle (Refer Fig.—42)	1	45V. LV
V	84804-92000	Switch sub-assy, license lamp connecting female	1	45V. LV
	84804-92050	Switch sub-assy, license lamp connecting female OPT	1	45V. LV
W	84803-92000	Switch sub-assy, license lamp connecting male	1	45V. LV
X	81560-60010	Lamp assy, rear combination, LH (Refer Fig.—79)	1	45V. LV
Y	94512-00600	Washer, spring (6)	10	
Z	93180-16016	Screw (hex-hd. 6—1.0p×16)	10	
VA	84141-59610	Cover, headlamp dimmer switch	1	40V. LV. 45V. LV
AB	93220-14016	Screw (bind-hd. 4—0.75p×16)	4	
AC	81270-60010	Lamp assy, license plate OPT (For swing door) (Refer Fig.—40)	1	40V 45V
	81270-60020	Lamp assy, license plate OPT (For swing door)	1	LV LV
AD	82611-60030	Cover, fuse block	1	40V 45V
	82611-20010	Cover, fuse block	1	LV LV
E	99118-62930	Fuse (30 amp.)	2	40V. LV. 45V. LV
	99118-62915	Fuse (15 amp.)	2	40V. LV. 45V. LV
	99118-62905	Fuse (5 amp.)	1	40V. LV. 45V. LV
AF	*84210-57010	Switch assy, back up lamp OPT (For floor shift)	1	40V. LV. 45V. LV
	84210-57011	Switch assy, back up lamp OPT (For floor shift)-③	1	40V. LV. 45V. LV

Old Part
from Frame No. FJ45-25864

① from Frame No. FJ45-25309 (FJ45V) ② from Frame No. FJ45-25164 (FJ45LV)

ELECT.

FIG.—39 LAMP & SWITCH (FJ45V, 45LV)



Toyota Land Cruiser

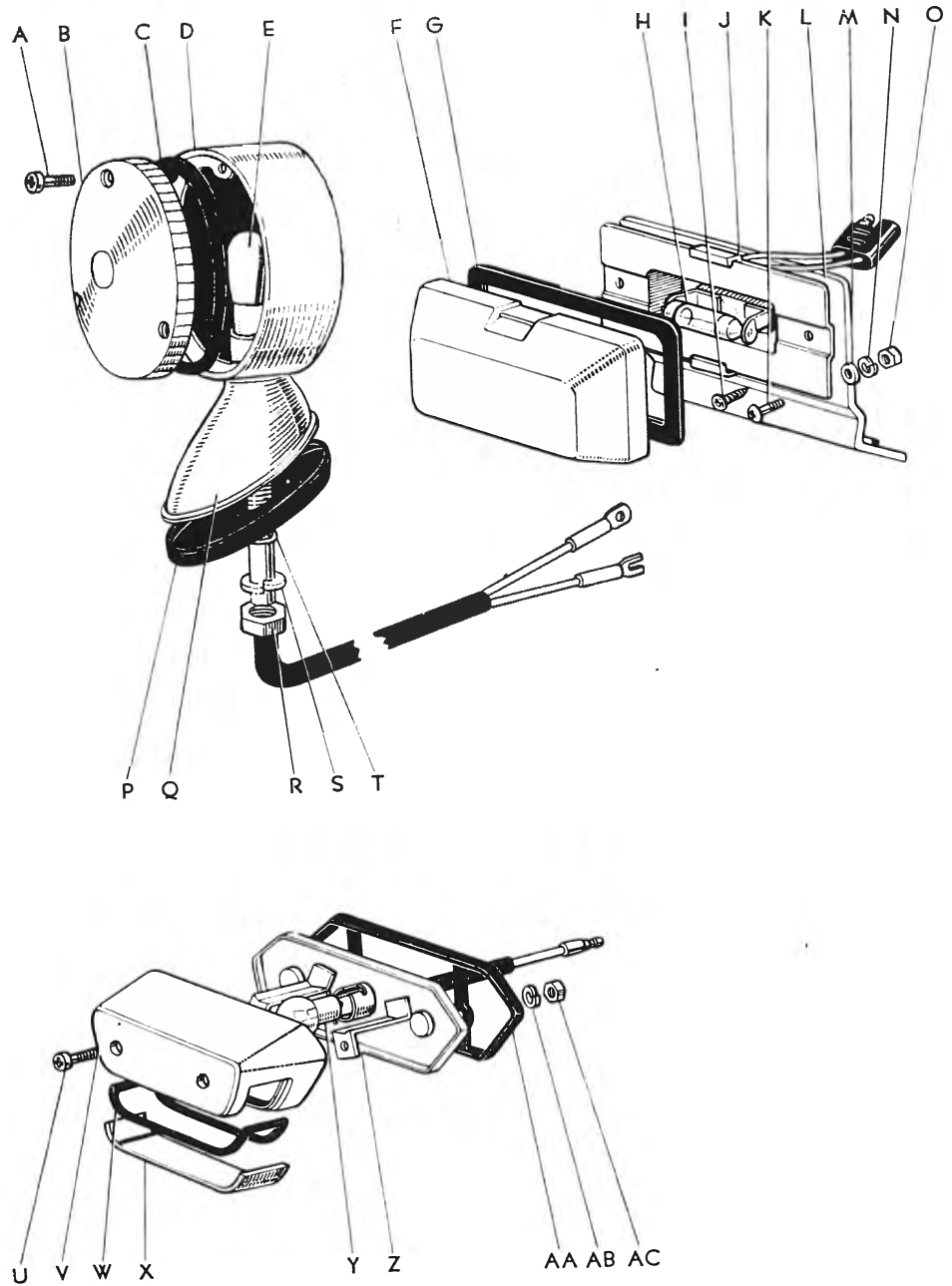
117-2

ILLUS- TRATION	PART NO.	NOMENCLATURE	P E R VEHICLE	MODEL
FIG.39)				
AG	94110-40800	Nut (hex. 8—1.25p)	1	
AH	94511-00800	Washer, spring (8)	2	
AI	94612-10800	Washer, plate (8×1.6)	2	
AJ	93180-16012	Screw (hex-hd. 6—1.0p×12)	2	
AK	94511-00600	Washer, spring (6)	2	
AL	★84210-30020*	Switch assy, back up lamp OPT		
		-(Replaced by 84210-30021)	1	40V. LV. 45V. LV
	84210-30021	Switch assy, back up lamp OPT	1	40V. LV. 45V. LV
AM	90206-16025	Washer, wave OPT-(from Frame No. FJ45-25864)	1	40V. LV. 45V. LV
AN	84095-60010	Bracket sub-assy, back up lamp switch OPT (from Frame No. FJ45-25864)	1	40V 45V
	84095-60021	Bracket sub-assy, back up lamp switch OPT	1	LV LV
AO	90524-14001	Spring, retainer OPT-(from Frame No. FJ45-25864)	1	40V. LV. 45V. LV
AP	91111-40616	Bolt (hex-hd. 6—1.0p×16)	1	
AQ	94511-00600	Washer, spring (6)	1	
AR	94110-40600	Nut (hex. 6—1.0p)	1	
AS	82940-65010	Switch assy, trailer socket change over OPT (from Frame No. FJ45-25864)	1	40V. LV. 45V. LV
AT	93210-14008	Screw (rd-hd. 4—0.75p×8)	2	
AU	82954-60010	Bracket, trailer socket change over switch OPT (from Frame No. FJ45-25864)	1	40V. LV. 45V. LV
AV	94511-00400	Washer, spring (4)	2	
AW	94110-40400	Nut (hex. 4—0.75p)	2	
AX	91111-40816	Bolt (hex-hd. 8—1.25p×16)	2	
AY	82951-90310	Bracket, trailer socket OPT	1	40V. LV. 45V. LV
AZ	★82910-60010	Socket assy, trailer OPT	1	40V. LV. 45V. LV
	82910-60020	Socket assy, trailer OPT-(from Frame No. FJ45-25864)	1	40V. LV. 45V. LV
BA	82380-60010	Wiring assy, trailer socket OPT (from Frame No. FJ45-25864)	1	40V. LV. 45V. LV
BB	82381-60010	Wire, trailer socket ground OPT	1	40V. LV. 45V. LV
	om Frame No. FJ45-27630)			
BC	84330-60010	Switch assy, hazard warning signal OPT (For U.S.A.)	1	LV LV
BD	91111-40610	Bolt (hex-hd. 6—1.0p×10)	2	
BE	91111-40612	Bolt (hex-hd. 6—1.0p×12)	2	
BF	94511-00600	Washer, spring (6)	4	
BG	81908-60010	Bracket sub-assy, flasher OPT (For U.S.A.)	1	LV LV
BH	84967-60010	Bracket, warning switch OPT (For U.S.A.)	1	LV LV

★ Old Part

ELECT.

FIG.—40 FRONT TURN SIGNAL LAMP & LICENSE PLATE LAMP
(FJ40V, 40LV)



E 0792-A

Toyota Land Cruiser

119

ILLUS- RATION	PART NO.	NOMENCLATURE	P E R VEHICLE	MODEL
------------------	----------	--------------	------------------	-------

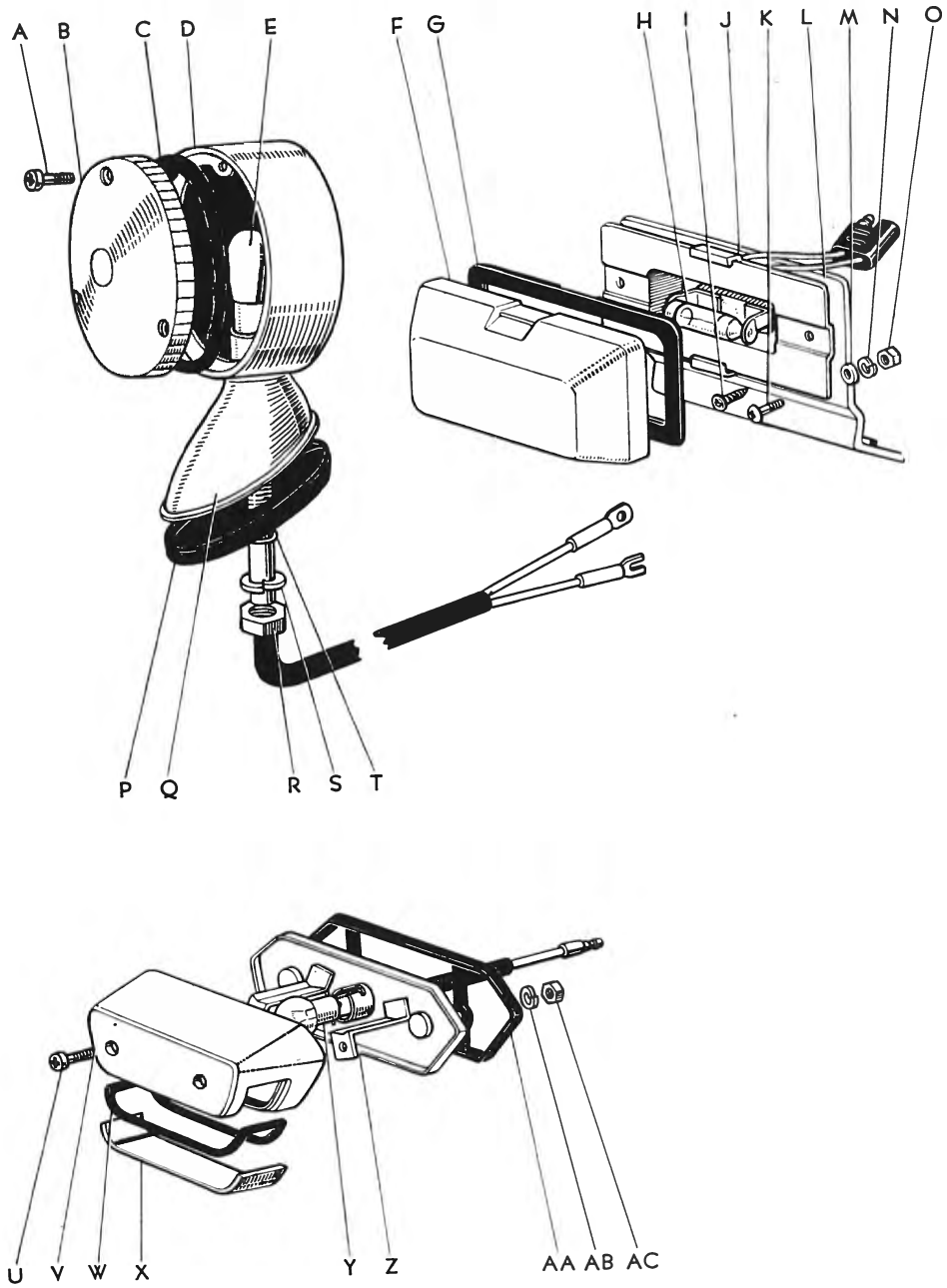
Front Turn Signal Lamp, License Plate Lamp & Pillar Lamp (FJ40V, 40LV)

(G.40)

	81510-60040	Lamp assy, front turn signal (includes illustrations—A~E, P~T of Fig.—40)	2	40V. LV	LV
	81510-60080	Lamp assy, front turn signal OPT (White lens, 12V 25/8W)	2	40V. LV. 45V. LV	
A	93230-94014	Screw (oval-hd. 4—0.75p×14)	6		
B	81511-55010	Lens, front turn signal lamp	2	40V. LV	
C	81512-55010	Packing, front turn signal lamp	2	40V. LV	
D	81513-60030	Body, front turn signal lamp	2	40V. LV	
E	99132-11250	Bulb (12V 25W, 32cp)	2	40V. LV	
	99132-22250	Bulb (12V 25/8W, 32/4cp)	2	40V. LV. 45V. LV	
	81240-21010	Lamp assy, pillar OPT—(from Frame No. FJ40-36364) (includes illustrations—F~K, M~O of Fig.—40)	1	40V. LV	
F	81241-21010	Lens, pillar lamp	1	40V. LV	
G	81242-21010	Packing, pillar lamp	1	40V. LV	
H	99132-13050	Bulb (12V 5W)	1	40V. LV	
I	93510-14010	Screw, tapping	2		
J	81243-21010	Body, pillar lamp	2	40V. LV	
K	93210-14010	Screw (rd-hd. 4—0.75p×10)	2		
L	63103-90301	Bracket sub-assy, room lamp	2	40V. LV	
M	94611-10400	Washer, plate (4×0.6)	2		
N	94512-00400	Washer, spring (4)	2		
O	94110-40400	Nut (hex. 4—0.75p)	2		
P	81514-60040	Packing, front turn signal lamp body	2	40V. LV	
Q	81518-60030	Bracket, front turn signal lamp	2	40V. LV	
R	94110-41200	Nut (hex. 12—1.5p)	2		
S	94511-11200	Washer, spring (12)	2		
T	81517-60030	Stopper, front turn signal lamp set	2	40V	
	81270-60010	Lamp assy, license plate (includes illustrations—U~AC of Fig.—40)	1	40V	
	81270-60020	Lamp assy, license plate	1		LV
V	93240-94010	Screw (bind-hd. 4—0.75p×10)	2		
W	81278-60010	Cover, license plate lamp	1	40V. LV	
X	81272-60010	Packing, license plate lamp lens	1	40V. LV	
Y	81271-60010	Lens, license plate lamp	1	40V. LV	
	99132-11100	Bulb (12V 10W)	1	40V	
	99132-11080	Bulb (12V 6cp.)	1		LV

ELECT.

FIG.—40 FRONT TURN SIGNAL LAMP & LICENSE PLATE LAMP
(FJ40V, 40LV)



E 0792-A

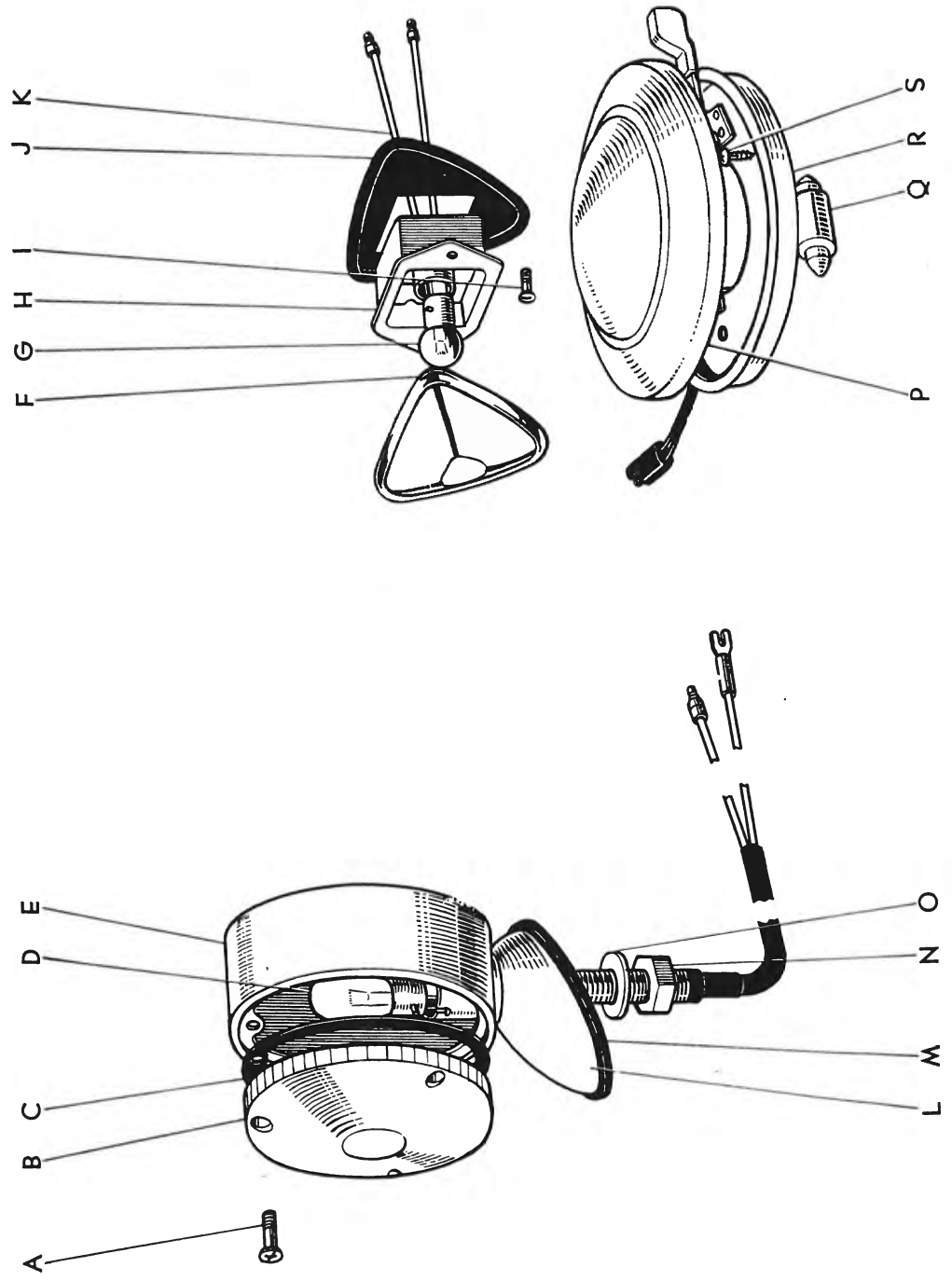
Toyota Land Cruiser

121

ILLUS- TRATION	PART NO.	NOMENCLATURE	P E R VEHICLE	MODEL
(G.40)				
Z	81273-60010	Body, license plate lamp	1	40V, LV
AA	81274-60010	Packing, license plate lamp body	1	40V
	81274-60020	Packing, license plate lamp body	1	LV
AB	94511-00600	Washer, spring (6)	2	
AC	94110-40600	Nut (hex. 6—1.0p)	2	

ELECT.

FIG.—41 FRONT TURN SIGNAL LAMP & PILLAR LAMP (FJ45V, 451V)



Toyota Land Cruiser

123

ILLUSTRATION	PART NO.	NOMENCLATURE	P E R VEHICLE	MODEL
--------------	----------	--------------	------------------	-------

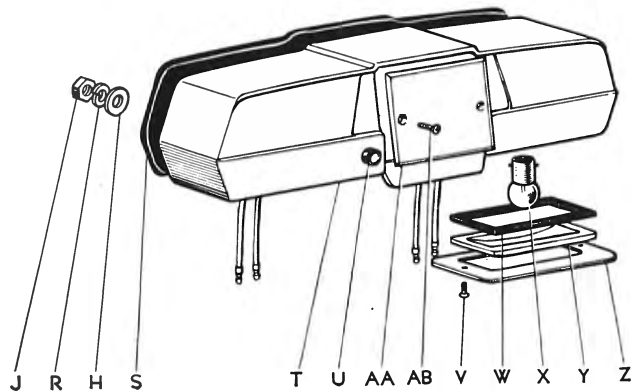
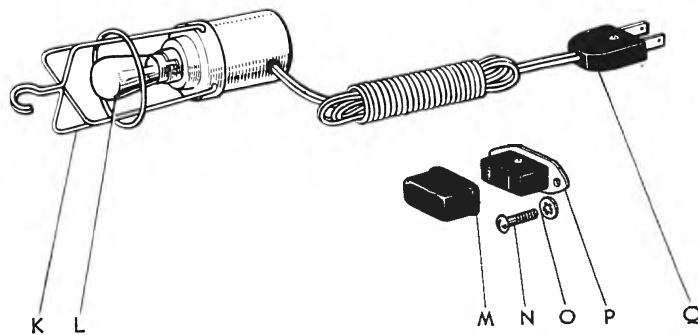
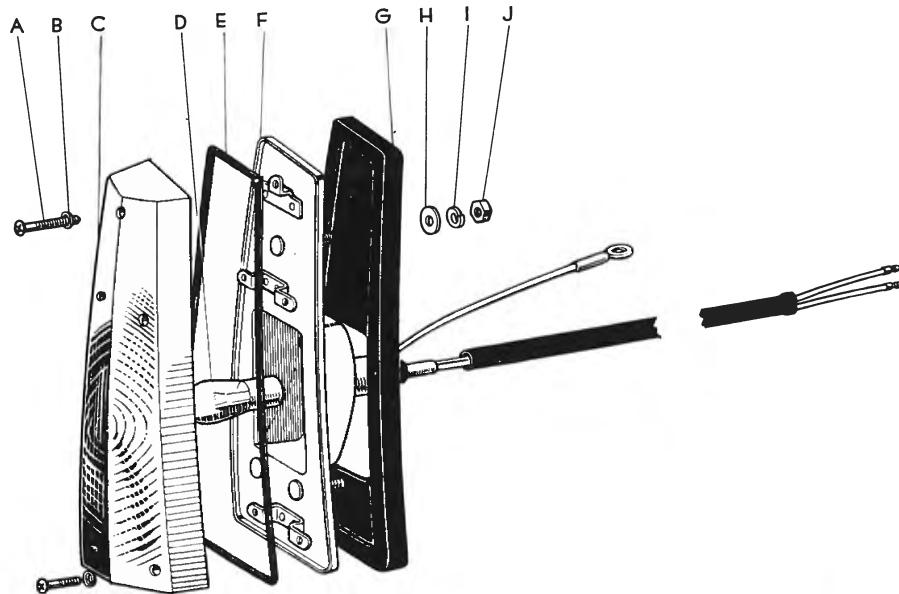
Front Turn Signal Lamp & Pillar Lamp (FJ45V, 45LV)

(FIG.41)

	81510-60070	Lamp assy, front turn signal (includes illustrations—A~E, L~O of Fig.—41)	2	45V
	81510-60040	Lamp assy, front turn signal	2	40V. LV LV
	81510-60080	Lamp assy, front turn signal OPT (White lens, 12V 25 8W)	2	40V. LV. 45V. LV
A	90999-90014	Screw	6	45V. LV
B	81511-55010	Lens, front turn signal lamp	2	45V. LV
C	81512-55010	Packing, front turn signal lamp	2	45V. LV
D	99132-22250	Bulb (12V 25 8W, 32 4cp) (For 81510-60070 and 81510-60080)	2	40V. LV. 45V. LV
	99132-11250	Bulb (12V 25W, 32cp)	2	LV
E	81513-60070	Body & cord sub-assy, front turn signal lamp	2	45V
	81513-60030	Body, front turn signal lamp	2	LV
	81240-30010	Lamp assy, pillar (includes illustrations—F~K of Fig.—41)	2	45V. LV
F	81241-39420	Lens, pillar lamp	2	45V. LV
G	99132-13060	Bulb (12V 6W)	2	45V. LV
H	81243-39410	Body, pillar lamp	2	45V. LV
I	93520-16020	Screw, tapping	4	
J	81244-39410	Packing, pillar lamp body	2	45V. LV
K	81245-39410	Cord, pillar lamp	2	45V. LV
L	81518-60030	Bracket, front turn signal lamp	2	45V. LV
M	81514-60030	Packing, front turn signal lamp body	2	45V
	81514-60040	Packing, front turn signal lamp body	2	LV
N	94110-41200	Nut (hex. 12—1.5p)	2	
O	94522-01200	Washer, toothed (12)	2	
	94612-11200	Washer, plate (12×2.3)	2	
	94511-11200	Washer, spring (12)	2	
	81240-61010	Lamp assy, dome (For U.S.A.) (includes illustrations—P~R of Fig.—41)	1	LV
P	81241-30020	Lens, dome lamp (For U.S.A.)	1	LV
Q	90981-11004	Bulb (12V 10W) (For U.S.A.)	1	LV
R	81243-61010	Body, dome lamp (For U.S.A.)	1	LV
S	93510-13512	Screw, tapping	3	

ELECT.

FIG.—42 REAR COMBINATION LAMP & INSPECTION LAMP
(FJ45V, 45LV)



E 0302-C

Toyota Land Cruiser

125

ILLUS- TRATION	PART NO.	NOMENCLATURE	P E R VEHICLE	MODEL
-------------------	----------	--------------	------------------	-------

Rear Combination Lamp & Inspection Lamp (FJ45V, 45LV)

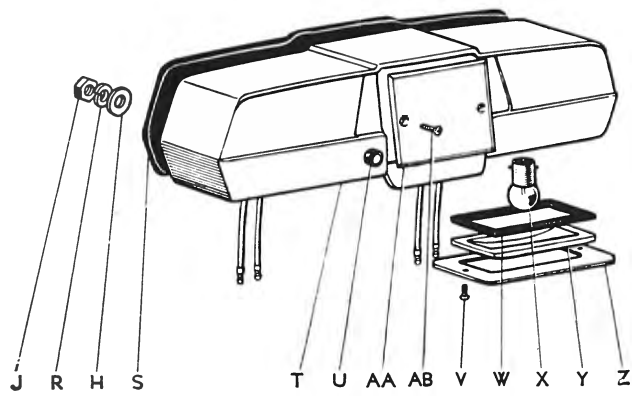
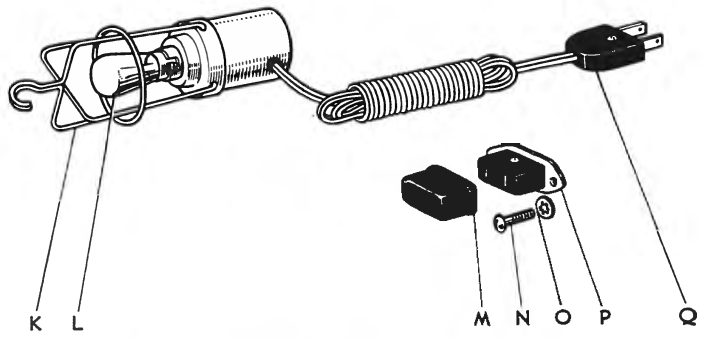
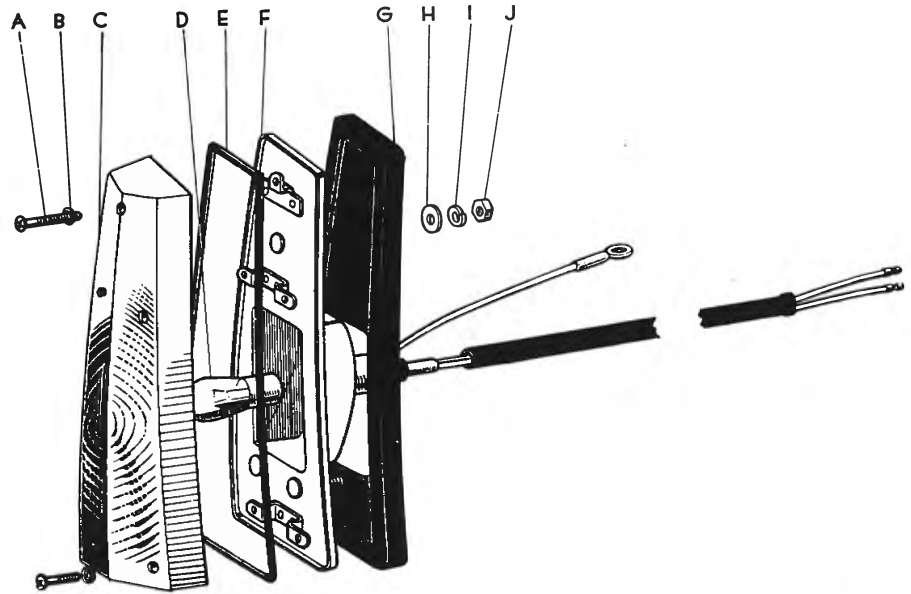
(Fig. 42)

	81550-60040	Lamp assy, rear combination, RH (includes illustrations—A~J of Fig.—42)	1	45V. LV
	81560-60010	Lamp assy, rear combination, LH	1	45V. LV
A	81557-31010	Screw, rear combination lamp, long	6	45V. LV
	81559-31010	Screw, rear combination lamp, short	4	45V. LV
B	81558-31010	Washer, rear combination lamp, leather	10	45V. LV
C	81551-60040	Lens, rear combination lamp, RH	1	45V. LV
	81561-60010	Lens, rear combination lamp, LH	1	45V. LV
D	99132-22250	Bulb (12V 25/8W)	2	45V. LV
E	81552-31010	Packing, rear combination lamp lens, RH	1	45V. LV
	81562-31010	Packing, rear combination lamp lens, LH	1	45V. LV
F	81553-60040	Body, rear combination lamp, RH	1	45V. LV
	81563-60010	Body, rear combination lamp, LH	1	45V. LV
G	81554-31010	Packing, rear combination lamp body, RH	1	45V. LV
	81564-31010	Packing, rear combination lamp body, LH	1	45V. LV
H	94612-10600	Washer, plate (6×1.0)	12	
I	94512-00600	Washer, spring (6)	6	
J	94110-40600	Nut (hex. 6—1.0p)	12	
K	81370-60010	Lamp assy, inspection (includes illustrations—L, Q of Fig.—42)	1	40V. LV 45V. LV
L	90981-12003	Bulb (12V 24W)	1	40V. LV. 45V. LV
M	81431-39610	Cover, inspection lamp consent	1	40V. LV. 45V. LV
N	93110-14010	Screw (rd-hd. 4—0.75p×10)	2	
O	94521-00400	Washer, toothed (4)	2	
P	81420-35010	Socket assy, inspection lamp (includes illustration—M of Fig.—42)	1	40V. LV. 45V. LV
Q	81401-35010	Plug sub-assy, inspection lamp	1	40V. LV. 45V. LV
	★81270-60050*	Lamp assy, license, w/tail gate handle (Replaced by 81270-92000) (includes illustrations—H, J, R~Z of Fig.—42)	1	45V. LV
	81270-92000	Lamp assy, license, w/tail gate handle (includes illustrations—H, J, R~AB of Fig.—42)	1	45V. LV
R	94511-00600	Washer, spring (6)	6	

★ Old Part

ELECT.

FIG.—42 REAR COMBINATION LAMP & INSPECTION LAMP
(FJ45V, 45LV)



E 0302-C

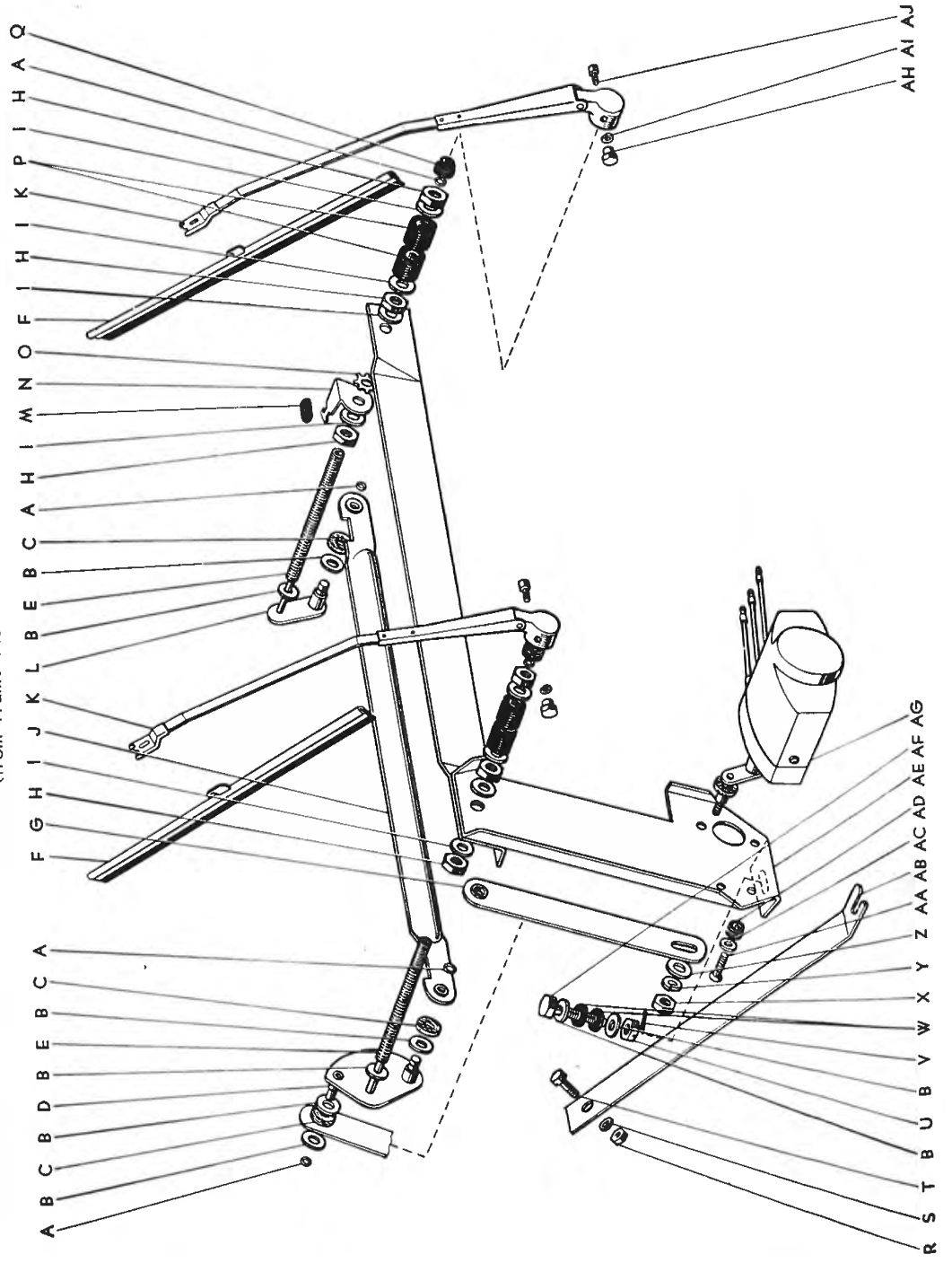
Toyota Land Cruiser

127

ILLUS- TRATION	PART NO.	NOMENCLATURE	P E R VEHICLE	MODEL
(G.42)				
S	81274-39410	Packing, body	1	45V. LV
T	81273-31010	Body, license lamp w/tail gate handle	1	45V. LV
U	69540-31010	Cylinder assy, back door lock	1	45V. LV
V	81279-39410	Screw, license lamp rim set	4	45V. LV
W	81272-39410	Packing, lens	2	45V. LV
X	90981-12001	Bulb (12V 8W)	2	45V. LV
Y	81271-39410	Lens, license lamp	2	45V. LV
Z	81276-39410	Rim, lamp	2	45V. LV
AA	81271-92000	Plate, tail gate handle	1	45V. LV
AB	93230-24010	Screw (oval-hd. 4—0.75p×10)	2	

ELECT.

FIG.—43 WINDSHIELD WIPER (FJ45V, 45LV)—Old
(from Frame No. FJ45-10001)



Toyota Land Cruiser

129

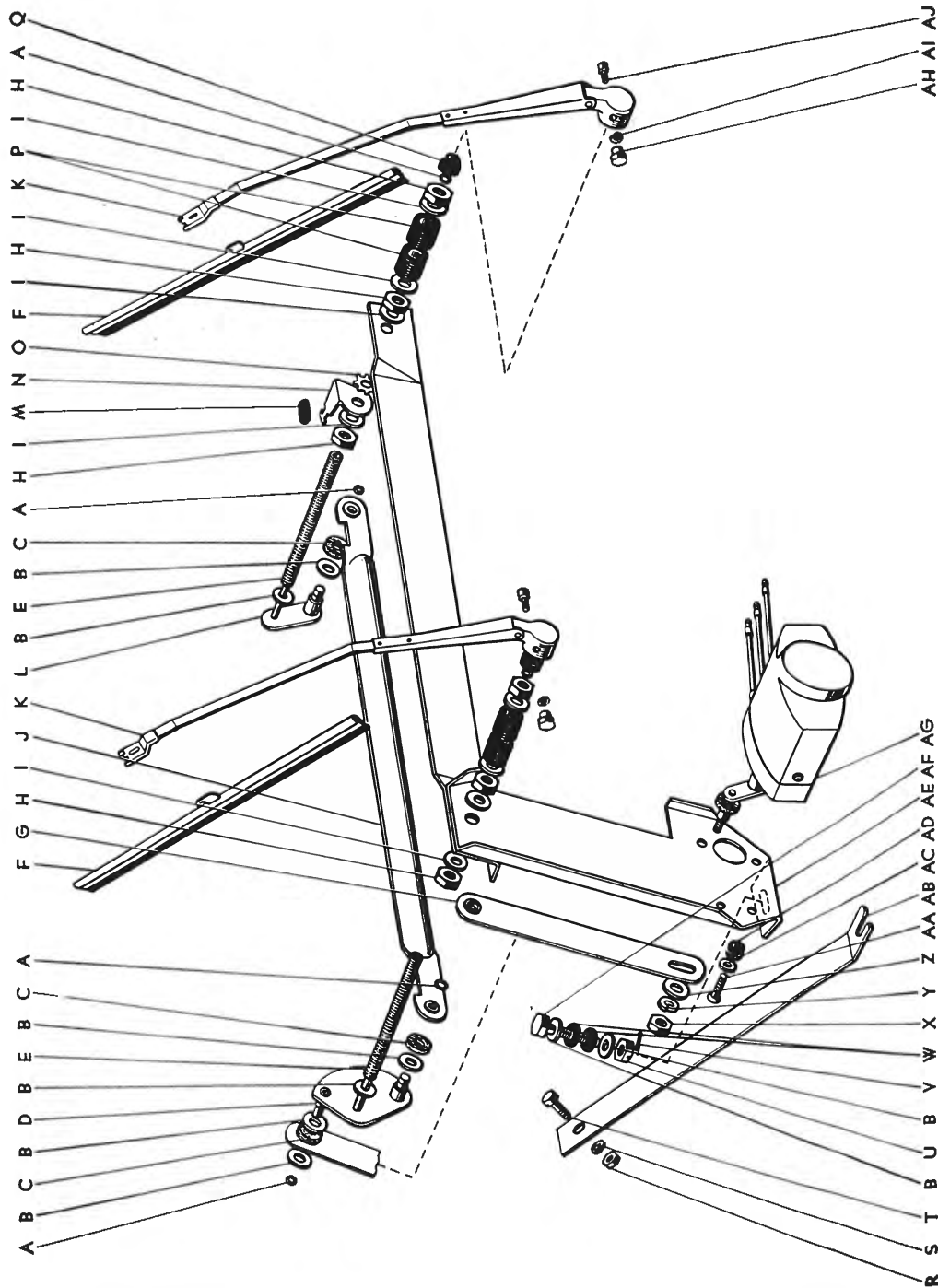
ILLUS- TRATION	PART NO.	NOMENCLATURE	P E R VEHICLE	MODEL
Windshield Wiper (FJ45V, 45LV)—Old				
(from Frame No. FJ45-21702 refer to Fig.—44)				
(FIG.43)				
	★85110-92000	Wiper assy, windshield-① (includes illustrations—A~Q, X~AA, AC~AE, AG~AJ of Fig.—43)	1	45V
	★85120-92000	Wiper assy, windshield-①	1	LV
	★85160-35010	Link assy, windshield wiper-① (includes illustrations—A~E, G, J, L of Fig.—43)	1	45V. LV
A	★59217-91101	Washer, ring-①	5	45V. LV
B	94612-10600	Washer, plate (6×1.0)	8	
C	★59216-91101	Packing, windshield wiper connecting rod felt-①	3	45V. LV
D	★59202-91101	Shaft sub-assy, windshield wiper arm, RH-①	1	45V. LV
E	★59215-91101	Pipe, wiper arm shaft-①	2	45V. LV
F	★85220-55010	Blade assy, windshield wiper-①	2	45V. LV
G	★59204-91101	Rod sub-assy, wiper motor-①	1	45V. LV
H	★59223-91101	Nut, wiper arm shaft pipe-①	6	45V. LV
I	★59224-91101	Washer, windshield wiper arm shaft-①	8	45V. LV
J	★59205-91101	Rod sub-assy, wiper motor connecting-①	1	45V. LV
K	★85190-35010	Arm assy, windshield wiper-①	2	45V
	★85190-35020	Arm assy, windshield wiper-①	2	LV
L	★59203-91101	Shaft sub-assy, windshield wiper arm, LH-①	1	45V. LV
M	★59228-91101	Stopper, wiper arm shaft-①	1	45V. LV
N	★59227-91101	Stopper, wiper arm shaft-①	1	45V. LV
O	★59226-91101	Washer, wiper arm shaft, LH-①	1	45V. LV
P	★59225-91101	Packing, windshield wiper arm shaft-①	4	45V. LV
Q	★59222-91101	Cap, windshield wiper arm-①	2	45V. LV
R	★94110-40600	Nut (hex. 6—1.0p)-①	1	
S	★94511-00600	Washer, spring (6)-①	1	
T	★91111-40616	Bolt (hex-hd. 6—1.0p×16)-①	1	
U	★94110-40600	Nut (hex. 6—1.0p)-①	1	
V	★95381-01620	Pin, cotter-①	1	
W	★59214-91101	Cushion, windshield wiper frame-①	2	45V. LV
X	★94110-40500	Nut (hex. 5—0.9p)-①	1	
Y	★94511-00500	Washer, spring (5)-①	1	
Z	★94612-10500	Washer, plate (5×1.0)-①	1	
AA	★59211-91101	Screw, wiper motor set-①	4	45V. LV
AB	★85231-92000	Bracket, windshield wiper-①	1	45V. LV

★ Old Part

① up to Frame No. FJ45-21701

ELECT.

FIG.—43 WINDSHIELD WIPER (FJ45V, 45LV)—Old
(from Frame No. FJ45-10001)



Toyota Land Cruiser

131

ILLUS-
TRATION PART NO.

NOMENCLATURE

P E R
VEHICLE

MODEL

(FIG.43)

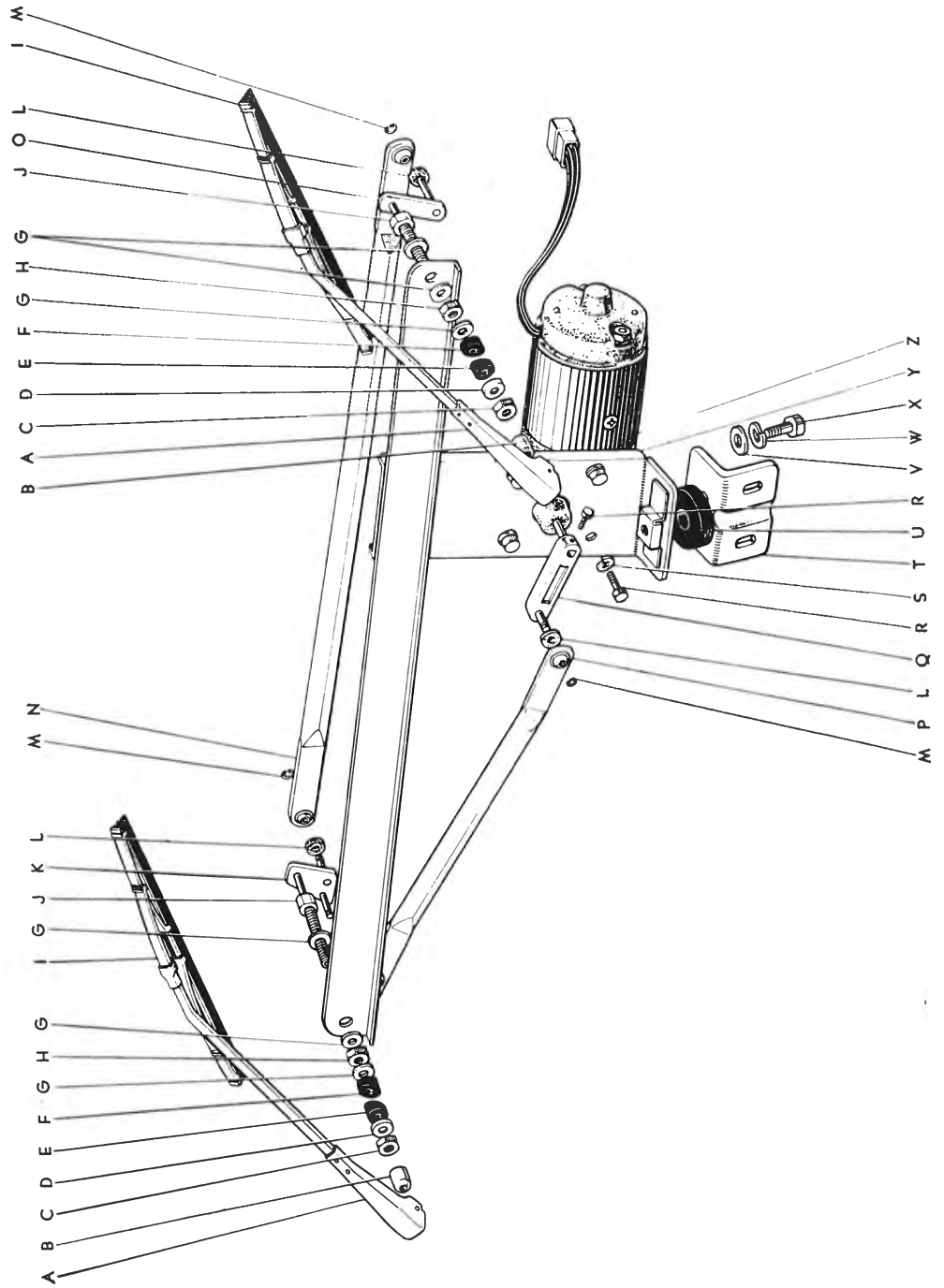
AC ★59212-91101	Washer, wiper motor set-①	4	45V. LV
AD ★59213-91101	Bushing, windshield wiper motor-①	4	45V. LV
AE ★85230-39410	Bracket assy, windshield wiper-①	1	45V. LV
AF ★91111-40616	Bolt (hex-hd. 6—1.0p×16)-①	1	
AG ★85110-35010	Motor assy, windshield wiper-①	1	45V. LV
AH ★59221-91101	Nut, windshield wiper arm lock-①	2	45V. LV
AI ★59219-91101	Washer, windshield wiper arm spring-①	2	45V. LV
AJ ★59218-91101	Bolt, windshield wiper arm lock-①	2	45V. LV

★ Old Part

① up to Frame No. FJ45-21701

ELECT.

FIG.—44 WINDSHIELD WIPER (FJ45V, 45LV)
(from Frame No. FJ45-21702)



Toyota Land Cruiser

133

ILLUS- TRATION	PART NO.	NOMENCLATURE	P E R VEHICLE	MODEL
-------------------	----------	--------------	------------------	-------

Windshield Wiper (FJ45V, 45LV) (Originally in use for U.S.A. only)

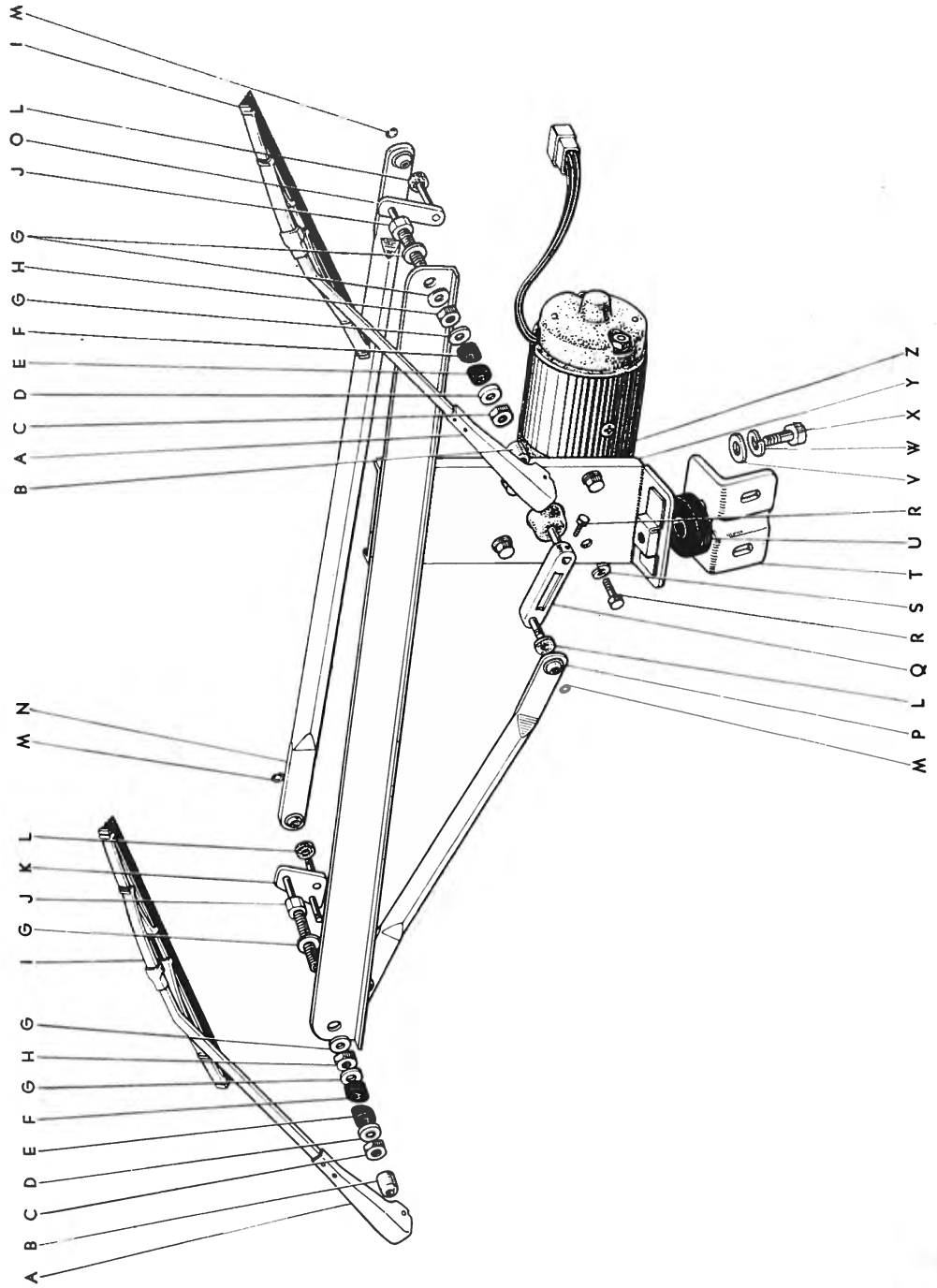
(FIG.44)

	85100-60010*	Wiper assy, windshield-① (includes illustrations—A~R, Z of Fig.—44)	1	45V
	85100-60020*	Wiper assy, windshield-①	1	LV
	85100-60030*	Wiper assy, windshield (For U.S.A. L/ blade)-②	1	LV
	85010-60010	Motor & link assy, windshield wiper-① (includes illustrations—B~H, J~R, Z of Fig.—44)	1	45V
	85010-60020	Motor & link assy, windshield-①	1	LV
	85160-60010	Link assy, windshield wiper-① (includes illustrations—B~H, J~R of Fig.—44)	1	45V. LV
A	*85190-92002	Arm assy, windshield wiper-①	2	45V
	*85190-92171	Arm assy, windshield wiper-①	2	LV
	85190-60020	Arm assy, windshield wiper-③④	2	45V. LV
B	85135-55010	Cap, wiper arm drive shaft-①	2	45V. LV
C	85168-55010	Nut, windshield wiper-①	2	45V. LV
D	85169-55010	Washer, windshield wiper link-①	2	45V. LV
E	85185-92170	Packing, windshield wiper, A-①	2	45V. LV
F	85186-92170	Packing, windshield wiper, B-①	2	45V. LV
G	85167-90010*	Washer, windshield wiper-①	6	45V. LV
H	85182-55030	Nut, windshield wiper-①	2	45V. LV
I	*85220-10010	Blade assy, windshield wiper-①	2	45V. LV
	85220-55021	Blade assy, windshield wiper-③④	2	45V. LV
J	85171-91336*	Bearing, windshield wiper-①	2	45V. LV
K	85162-91336	Pivot, windshield wiper link-① (includes illustrations—C~H, J, L, M of Fig.—44)	1	45V. LV
L	85173-25040	Washer, windshield wiper link felt-①	4	45V. LV
M	85163-55010	Ring, windshield wiper link-①	4	45V. LV
N	85165-91336	Rod, windshield wiper link-①	1	45V. LV
O	85161-91336	Pivot, windshield wiper link-① (includes illustrations—C~H, J, L, M of Fig.—44)	1	45V. LV
P	85164-91336	Rod, windshield wiper link-①	1	45V. LV
Q	85017-55010	Crank sub-assy, windshield wiper link-①	1	45V. LV

Old Part ① from Frame No. FJ45-21702 ② from Frame No. FJ45-23357
 ③ from Frame No. FJ45-22104 (FJ45V) ④ from Frame No. FJ45-22098 (FJ45LV)

ELECT.

FIG.—44 WINDSHIELD WIPER (FJ45V, 45LV)
(from Frame No. FJ45-21702)



Toyota Land Cruiser

135

ILLUS- TRATION	PART NO.	NOMENCLATURE	P E R VEHICLE	MODEL
(FIG.44)				
R	91111-40612	Bolt (hex-hd. 6—1.0p×12)-①	5	
S	94511-00600	Washer, spring (6)-①	4	
T	★85233-92170	Bracket, wiper motor set (For U.S.A.)	1	LV
	85233-92171	Bracket, wiper motor set-①	1	45V, LV
U	85234-92170	Cushion, wiper motor bracket-① (from Frame No. FJ45-21702)	1	45V, LV
V	94612-10600	Washer, plate (6×1.0)-①	1	
W	94512-00600	Washer, spring (6)-①	1	
X	91111-40620	Bolt (hex-hd. 6—1.0p×20)-①	1	
Y	★85230-92170	Bracket assy, wiper motor (For U.S.A.)	1	LV
	85230-92171	Bracket assy, wiper motor-①	1	45V, LV
Z	★85110-95401	Motor assy, windshield wiper-① (Refer Fig.—45)	1	45V
	85110-95403	Motor assy, windshield wiper-②	1	45V
	★85110-91336	Motor assy, windshield wiper-①	1	LV
	85110-95402	Motor assy, windshield wiper-③	1	LV

★ Old Part

① from Frame No. FJ45-21702

② from Frame No. FJ45-22104

③ from Frame No. FJ45-22098

ELECT.

FIG.—45 WINDSHIELD WIPER MOTOR (FJ45V, 45LV)—Old
(from Frame No. FJ45-21702)

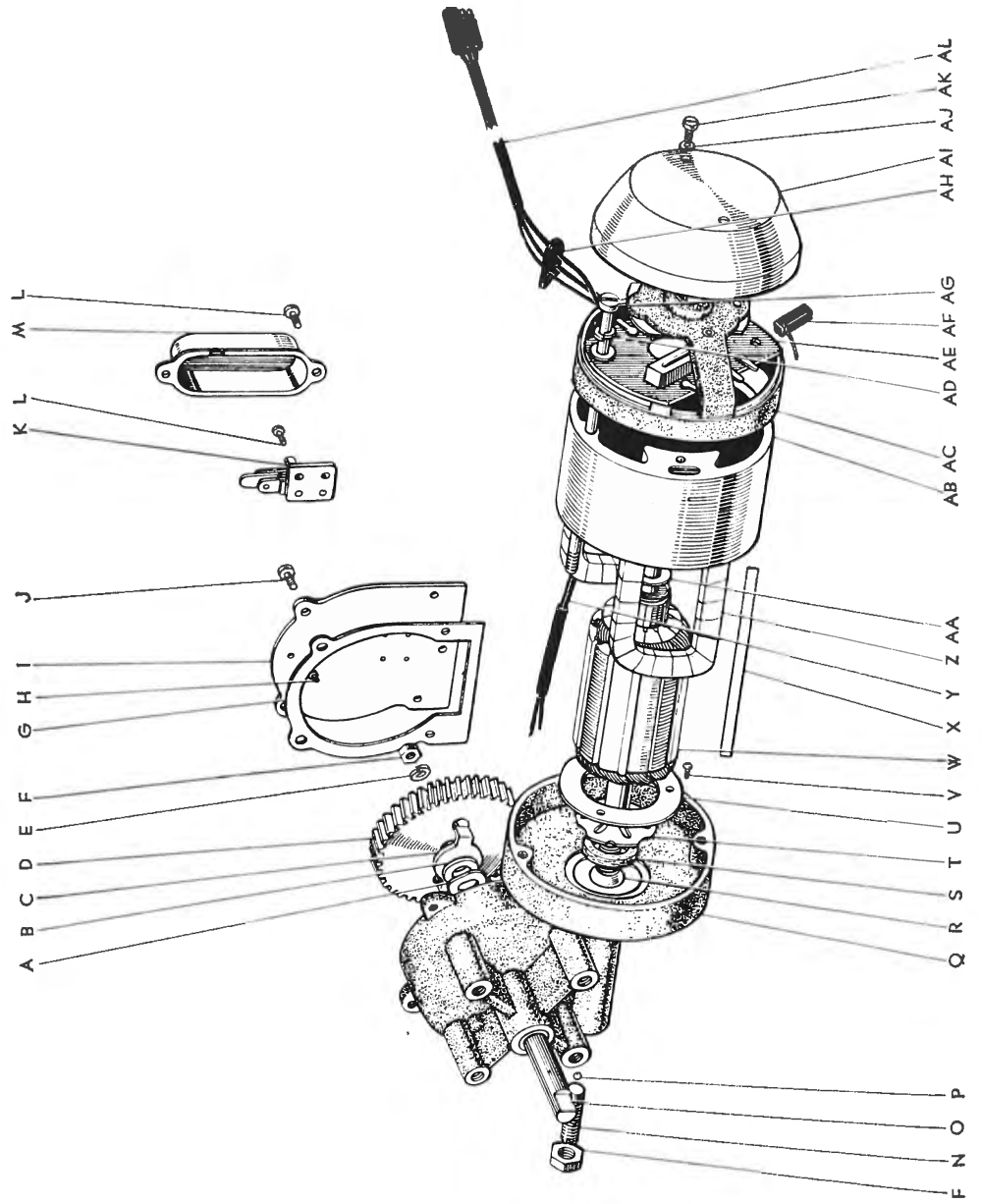
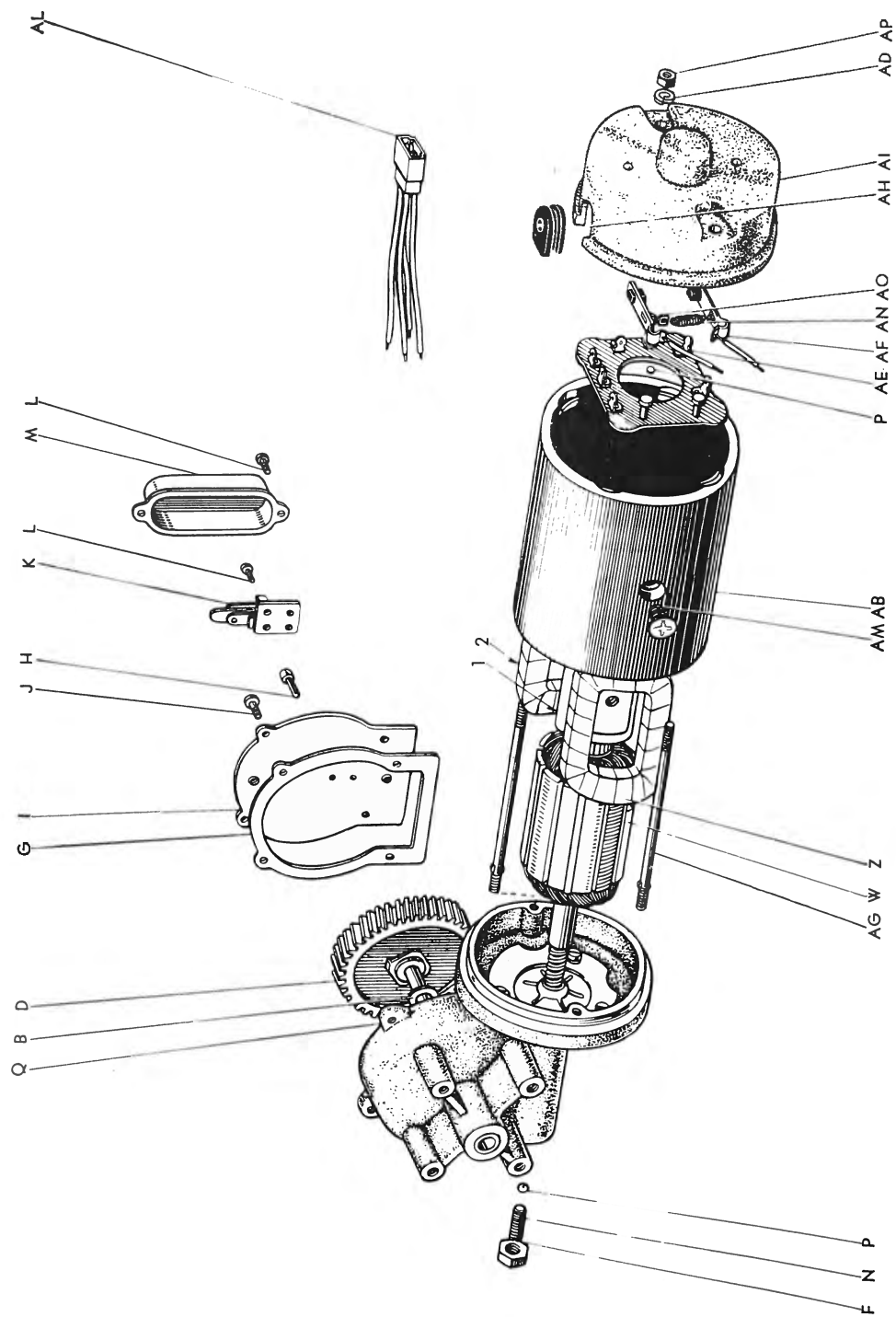
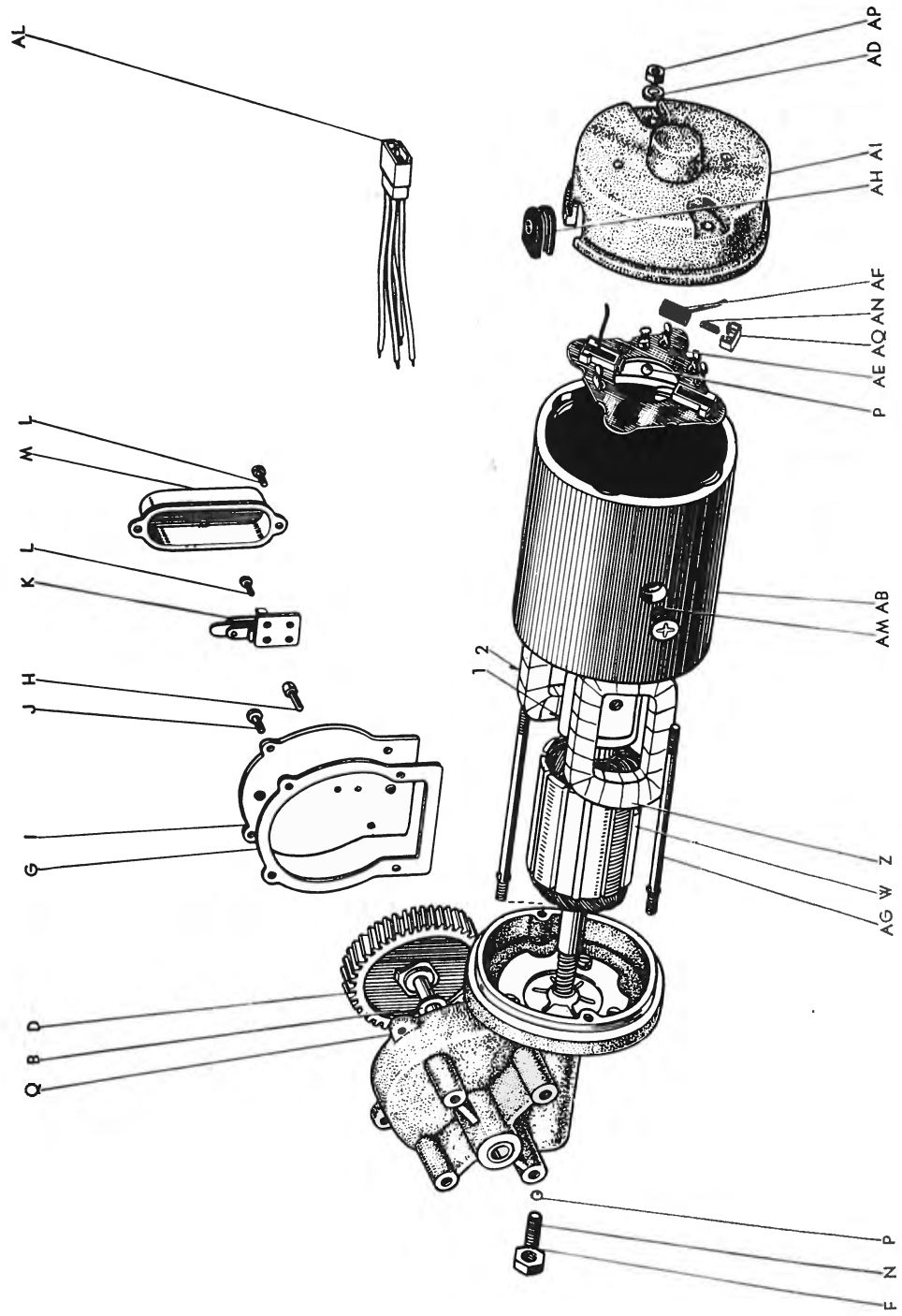


FIG.—45(a) WINDSHIELD WIPER MOTOR (FJ45V, 45LV) -Old
(from Frame No. FJ45-22104 (FJ45V), FJ45-22098 (FJ45LV))



E 0960

FIG.—45(b) WINDSHIELD WIPER MOTOR (FJ45V, 45LV)
 (from Frame No. FJ45-26757 (FJ45V), FJ45-26468 (FJ45LV))



Toyota Land Cruiser

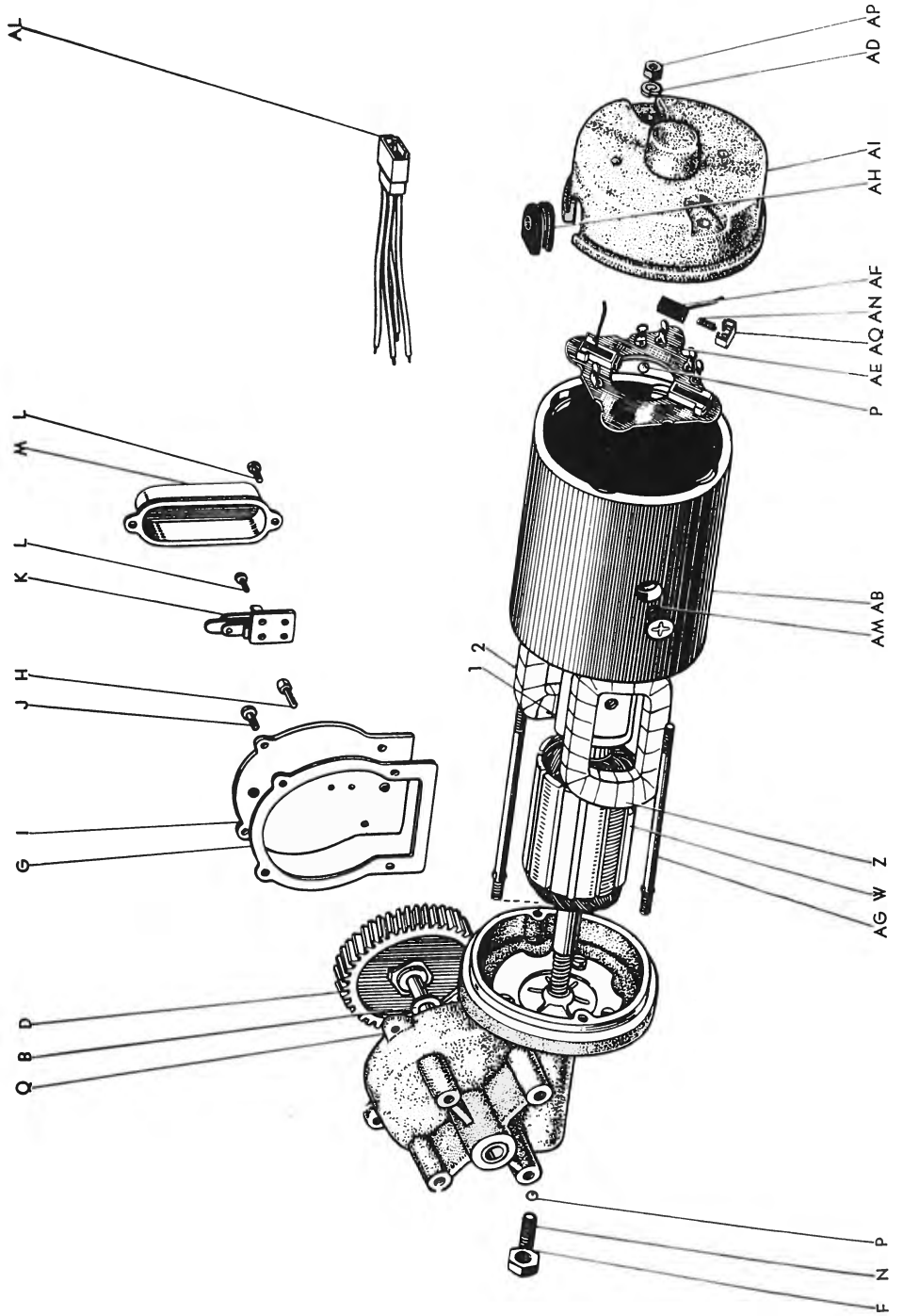
137

ILLUSTRATION	PART NO.	NOMENCLATURE	P E R VEHICLE	MODEL
Windshield Wiper Motor (FJ45V, 45LV)				
(Originally in use for U.S.A. only)				
(FIG.45)				
	★85110-95401	Motor assy, windshield wiper-① (includes illustrations—A~AL of Fig.—45)	1	45V
	★85110-91336	Motor assy, windshield wiper-①	1	LV
	85110-95403	Motor assy, windshield wiper-② (includes illustrations—B, D, F~N, P, Q, W, Z, AB, AD~AI, AM~AQ of Fig.—45)	1	45V
	85110-95402	Motor assy, windshield wiper-③	1	LV
A	★85155-55020	Washer, windshield wiper motor-①~④⑤	1	45V. LV
B	★85131-55020*	Washer, windshield wiper motor-①	1	45V. LV
	85131-55021	Washer, windshield wiper motor-②③	1	45V. LV
C	★85123-55020*	Support, windshield wiper motor-①~④⑤	1	45V. LV
	★85014-91336	Shaft sub-assy, wiper drive-①~⑤ (includes illustrations—B~F, O of Fig.—45)	1	LV
D	★85116-55020*	Gear, windshield wiper motor-①	1	45V. LV
	85116-95403	Gear, windshield wiper motor-②	1	45V
	85116-95402	Gear, windshield wiper motor-③	1	LV
E	★85128-55020*	Washer, windshield wiper motor-①~④⑤	1	45V. LV
F	85127-55020*	Nut, windshield wiper motor-①	2	45V. LV
G	★85134-55020	Packing, wiper motor crank housing cover-①	1	45V. LV
	85134-55021	Packing, wiper motor crank housing cover-②③	1	45V. LV
H	★85125-55020	Pin, windshield wiper motor-①	1	45V. LV
	85125-55021	Pin, windshield wiper motor-②③	1	45V. LV
I	★85133-55020	Plate, wiper motor crank housing cover-①	1	45V. LV
	85133-55021	Plate, wiper motor crank housing cover-②③	1	45V. LV
J	85152-55020	Screw, windshield wiper motor-①	4	45V. LV
K	85013-55020	Switch sub-assy, wiper motor-①	1	45V. LV
L	85119-25040	Screw, windshield wiper motor-①	4	45V. LV
M	85146-55020	Cover, windshield wiper motor-①	1	45V LV

Old Part
 ① from Frame No. FJ45-21702 ② from Frame No. FJ45-22104(FJ45V)
 ③ from Frame No. FJ45-22098(FJ45LV) ④ up to Frame No. FJ45-22103(FJ45V)
 up to Frame No. FJ45-22097(FJ45LV)

ELECT.

FIG.—45(b) WINDSHIELD WIPER MOTOR (FJ45V, 45LV)
(from Frame No. FJ45-26757 (FJ45V), FJ45-26468 (FJ45LV))



Toyota Land Cruiser

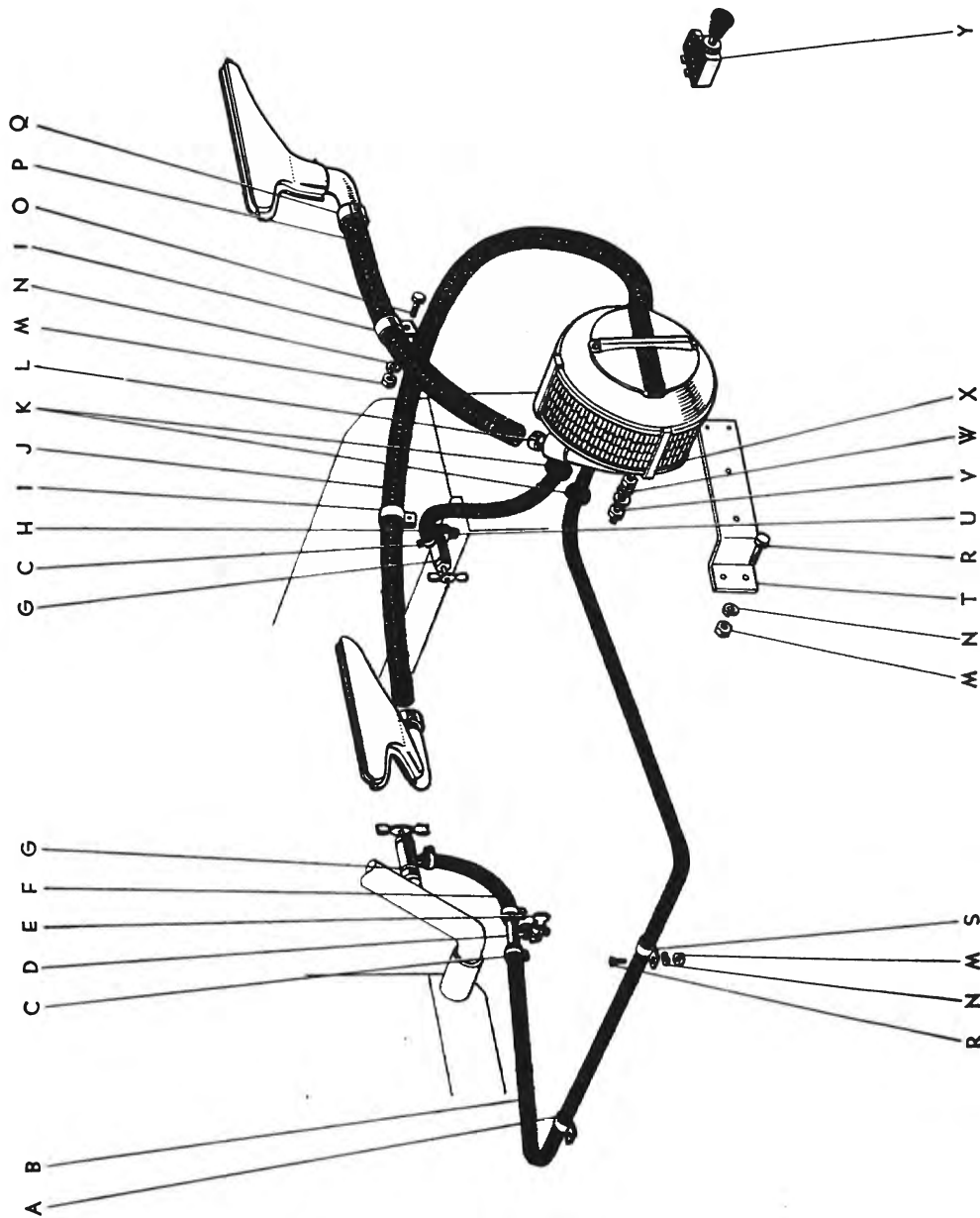
141

ILLUS- TRATION PART NO.	NOMENCLATURE	P E R VEHICLE	MODEL
(FIG.45)			
AG ★85137-55020	Screw, windshield wiper motor-①	2	45V. LV
85137-55021	Screw, windshield wiper motor-②③	2	45V. LV
AH ★85136-55020	Packing, windshield wiper motor-①	1	45V. LV
85136-55021	Packing, windshield wiper motor-②③	1	45V. LV
AI ★85147-55020	Cover, windshield wiper motor-①	1	45V. LV
★85147-55021	Cover, windshield wiper motor-②③	1	45V. LV
85147-55022	Cover, windshield wiper motor-⑥⑦	1	45V. LV
AJ ★94511-00400	Washer, spring (4)-①~④⑤	2	45V. LV
AK ★93110-14008	Screw (rd-hd. 4-0.75p×8)-①~④⑤	2	
AL ★85143-91336	Wire, windshield wiper motor lead-①	1	45V. LV
85143-95402	Wire, windshield wiper motor lead-②③	1	45V. LV
AM 85145-55021	Screw, windshield wiper-②③	2	45V. LV
AN ★85112-55021	Spring, windshield wiper motor brush-②③	1	45V. LV
85112-55022	Spring, windshield wiper motor brush-⑥⑦	2	45V. LV
AO ★85157 25070	Collar, windshield wiper motor-②③~⑧⑨	1	45V. LV
AP 85153-55021	Nut, windshield wiper motor		45V. LV
AQ 85156-55022	Plate, windshield wiper motor stop-⑥⑦	2	45V. LV

Old Part
 3 from Frame No. FJ45-22098(FJ45LV) ① from Frame No. FJ45-21702 ② from Frame No. FJ45-22104(FJ45V)
 up to Frame No. FJ45-22097(FJ45LV) ④ up to Frame No. FJ45-22103(FJ45V)
 4 from Frame No. FJ45-26468(FJ45LV) ⑥ from Frame No. FJ45-26757(FJ45V)
 up to Frame No. FJ45-26467(FJ45LV) ⑧ up to Frame No. FJ45-26756(FJ45V)

ELECT.

FIG.—46 HEATER & ACCESSORY OPT (FJ45V)



Toyota Land Cruiser

145

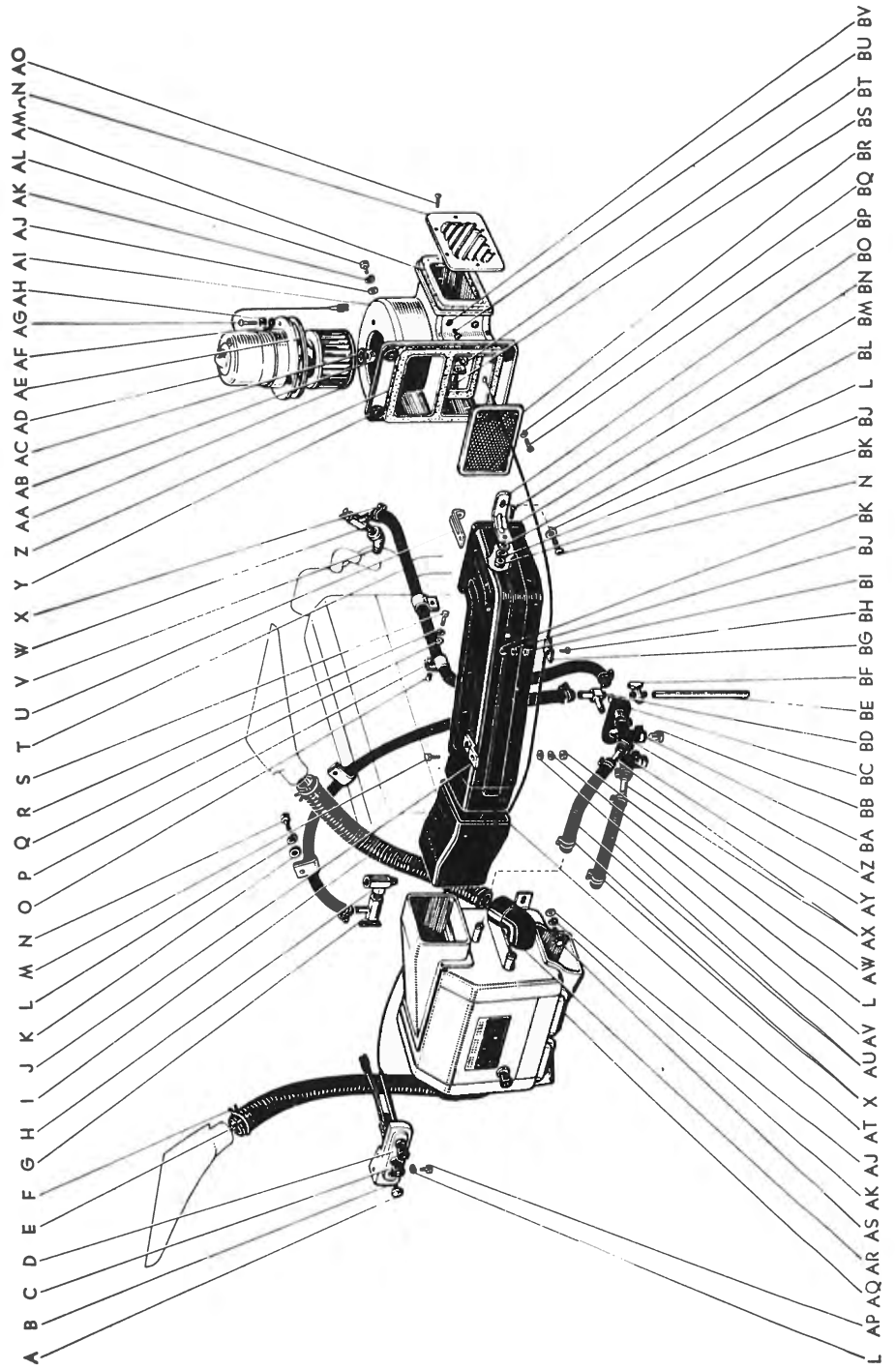
ILLUS- TRATION	PART NO.	NOMENCLATURE	P E R VEHICLE	MODEL
-------------------	----------	--------------	------------------	-------

Heater & Accessory OPT (FJ45V)

(FIG.46)				
	87100-60020*	Heater & accessory assy (includes illustrations—A~Y of Fig.—46)	1	45V
	87200-60020	Accessory, car heater (includes illustrations—A~W of Fig.—46)	1	45V
A	87267-60020	Retainer, water hose	1	45V
B	87241-60020	Hose, water	1	45V
C	90460-67201	Clamp, hose	6	45V
D	87253-60020	Joint, water hose drain	1	45V
E	87254-60020	Cock, water hose drain	1	45V
F	87242-60020	Hose, water	1	45V
G	87205-25010	Joint sub-assy, water hose valve	2	45V
H	87243-60020	Hose, water	1	45V
	87238-25010	Retainer, defroster hose	2	45V
	87231-60020	Hose, defroster	1	45V
	90099-32009	Bushing, cord	2	45V
	87237-61020	Collar	2	45V
M	90092-10605	Nut	6	
N	90094-00602	Washer	6	
O	90090-00603	Screw	1	
	87232-60020	Hose, defroster	1	45V
Q	87236-25010	Clip, defroster hose	2	45V
R	90091-00609	Bolt	5	
	90461-08061	Clamp	1	45V
	87274-60020	Bracket, heater	1	45V
U	87251-60020	Joint, water hose through	1	45V
V	90099-04072	Bolt	2	45V
W	90094-01001	Washer	2	45V
X	87110-60020	Heater assy (includes illustration—Y of Fig.—46)	1	45V
Y	84730-55020	Switch, car heater control	1	45V

ELECT.

FIG.—47 HEATER & ACCESSORY OPT (For Front Seat)



Toyota Land Cruiser

147

ILLUS-
TRATION PART NO.

NOMENCLATURE

P E R
VEHICLE MODEL

Heater & Accessory OPT (FJ40V, 40LV) (FJ45V, 45LV)

(For Front Seat)

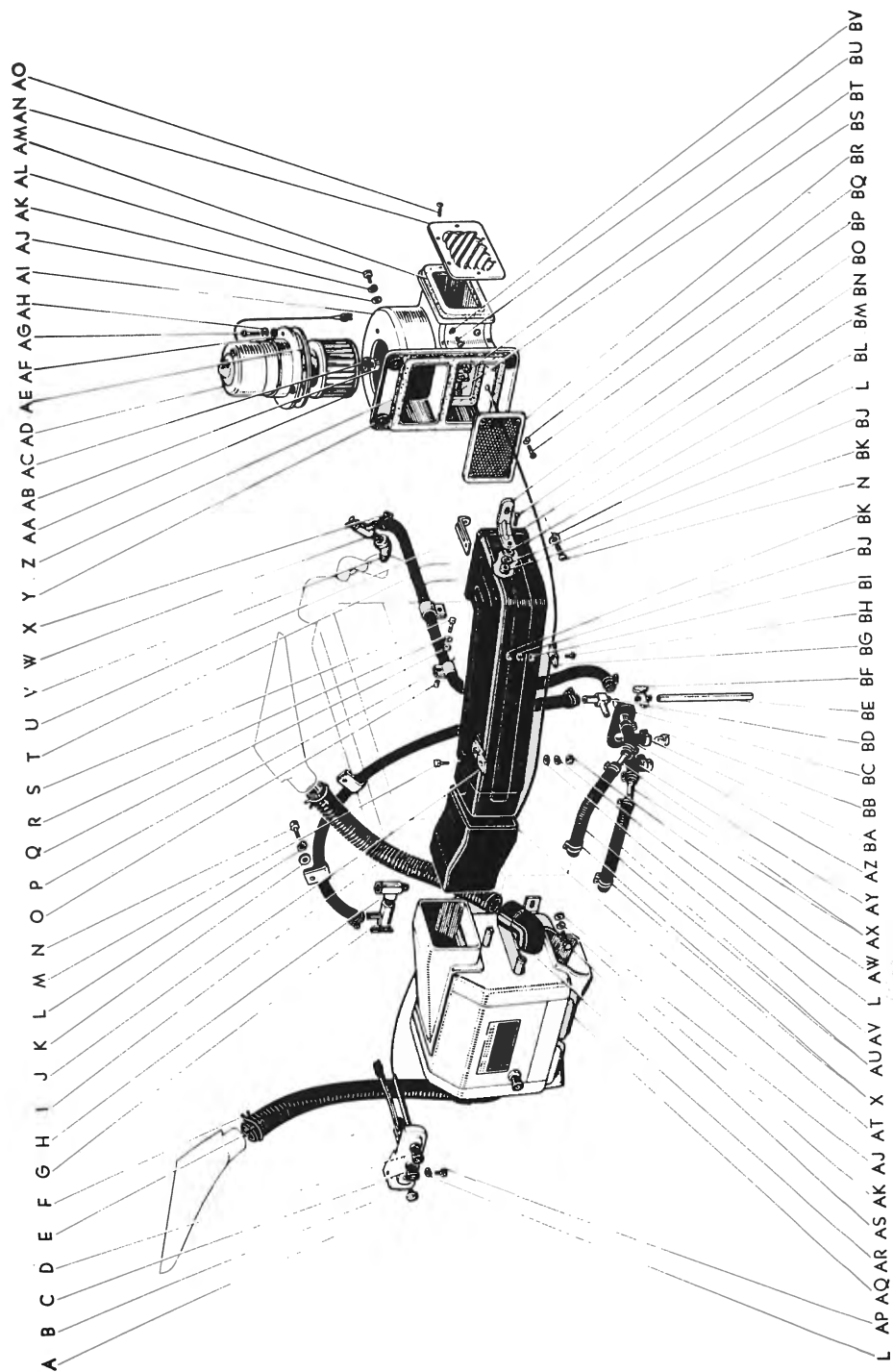
FIG.47)

ILLUS-TRATION	PART NO.	NOMENCLATURE	P E R VEHICLE	MODEL
	87100-60030*	Heater & accessory assy (includes illustrations—A~J, O~AI, AM, AQ, AR, AT, AU, AX~BV of Fig.—47)	1	LV LV
	87200-60060	Accessory assy, car heater (includes illustrations—A~J, O~X, AT, AU, AX~BR of Fig.—47)	1	40V 45V
	87200-60030	Accessory assy, car heater	1	LV LV
A	55405-20020	Cover sub-assy, hole	1	40V. LV. 45V. LV
B	87295-60060	Panel, control	1	40V 45V
	87295-60030	Panel, control	1	LV LV
C	87290-60030	Switch assy, heater	1	40V. LV. 45V. LV
D	87296-60030	Cable, control	1	40V. LV. 45V. LV
E	87232-60030	Hose, defroster	1	40V. LV. 45V. LV
F	90467-44033	Clip	2	40V. LV. 45V. LV
G	*87206-60030	Joint sub-assy, water hose valve	1	LV LV
	87206-20051	Joint sub-assy, water hose valve	1	40V. LV. 45V. LV
H	*87256-55010	Adaptor, water hose joint	1	LV LV
	87251-65010	Joint sub-assy, inlet	1	40V. LV. 45V. LV
I	87231-60030	Hose, defroster	1	40V. LV. 45V. LV
J	87297-60030	Stay, air duct	1	40V. LV. 45V. LV
K	94612-10600	Washer, plate (6×1.0)	2	
L	94511-00600	Washer, spring (6)	7	
M	91111-40612	Bolt (hex-hd. 6—1.0p×12)	1	
N	93180-16016	Screw (hex-hd. 6—1.0p×16)	4	
O	90560-08094	Spacer	2	40V. LV. 45V. LV
P	90461-08060	Clamp	4	40V. LV. 45V. LV
Q	90093-00602	Washer	2	
R	90094-00602	Washer	2	
S	90099-04162	Bolt	2	40V. LV. 45V. LV
T	90445-24060	Hose (Outlet)	1	40V. LV. 45V. LV
	90445-24088	Hose (Inlet)	1	40V. LV. 45V. LV
U	87293-60030	Stay, air duct	1	40V. LV. 45V. LV
V	*90407-54016	Elbow (Replaced by 87256-60030)	1	LV LV
	*87256-60030	Joint, water hose through	1	LV LV
	87256-60031	Joint, water hose through	1	40V. LV. 45V. LV

* Old Part

ELECT.

FIG.—47 HEATER & ACCESSORY OPT (For Front Seat)



Toyota Land Cruiser

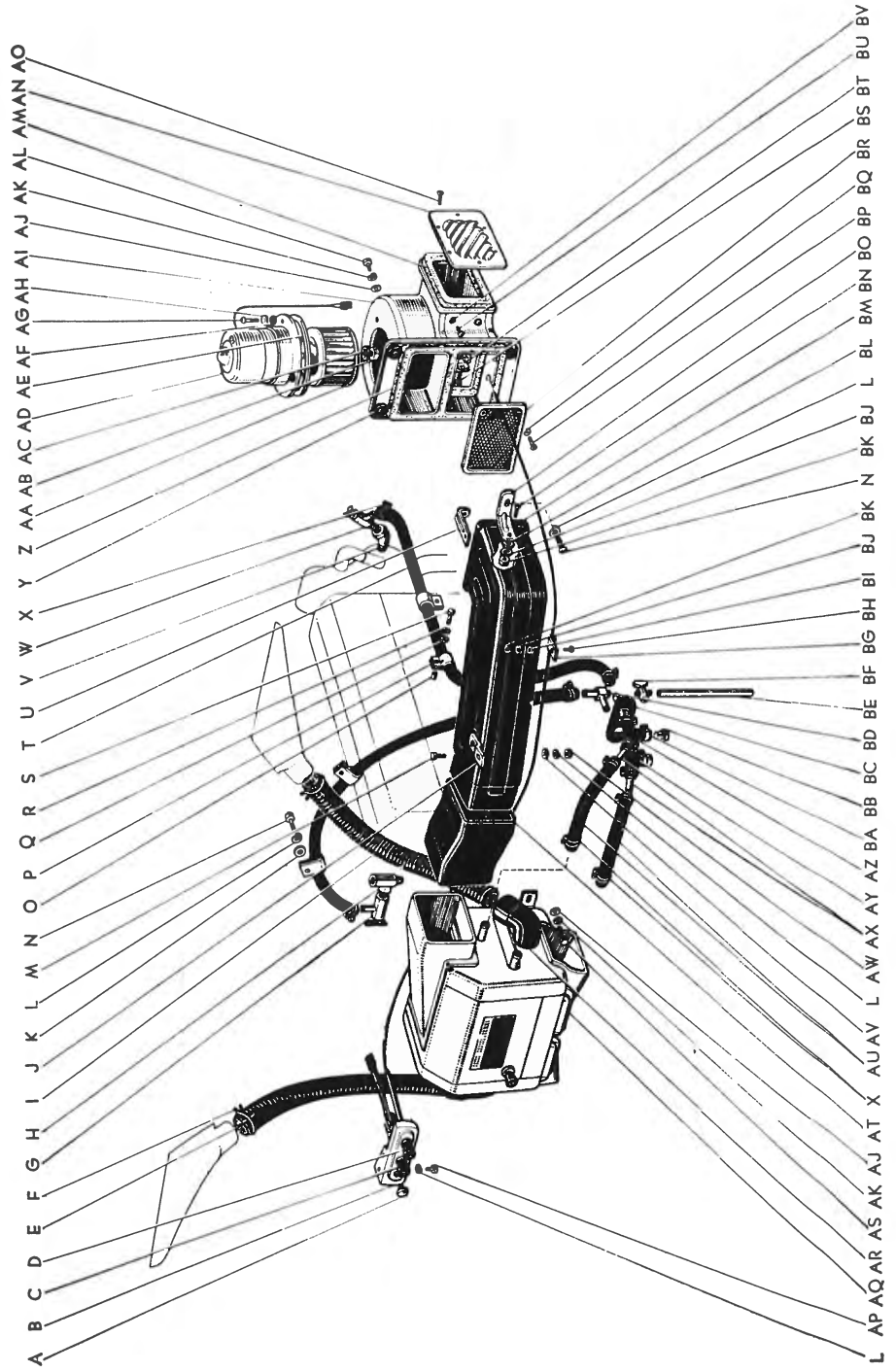
149

ILLUSTRATION	PART NO.	NOMENCLATURE	PER VEHICLE	MODEL
(FIG. 47)				
V	*87204-60030	Joint sub-assy, water hose valve -(Replaced by 87206-60030)	1	LV LV
	87206-60030	Joint sub-assy, water hose valve	1	40V. LV. 45V. LV
X	*90460-27002	Clamp, hose-(Replaced by 90460-25002)	12	LV LV
	90460-25002	Clamp, hose	12	40V. LV. 45V. LV
Y	87148-60030	Gasket, blower case	4	40V. LV. 45V. LV
Z	87142-60030	Gasket, blower case	1	40V. LV. 45V. LV
AA	87105-60060	Fan sub-assy, blower	1	40V 45V
	88371-20010	Fan, blower	1	LV LV
AB	87114-39020	Nut	1	40V. LV. 45V. LV
AC	90099-01225	Washer	1	40V. LV. 45V. LV
AD	87104-60060	Motor sub-assy, blower	1	40V 45V
	87104-60030	Motor sub-assy, blower	1	LV LV
AE	87298-60030	Gasket, blower motor	1	40V. LV. 45V. LV
AF	90099-32029	Bush, cord	3	40V. LV. 45V. LV
AG	90090-50615	Screw	3	
AH	90099-02302	Washer	3	40V. LV. 45V. LV
	87130-60060	Blower assy, heater (includes illustrations—Y~AI, AM, BS~BV of Fig.—47)	1	40V 45V
	87130-60030	Blower assy, heater	1	LV LV
AI	87103-60060	Case sub-assy, blower	1	40V 45V
	87103-60030	Case sub-assy, blower	1	LV LV
AJ	94613-10800	Washer, plate (8×1.6)	4	
AK	94512-00800	Washer, spring (ø)	4	
AL	91111-40832	Bolt (hex-hd. 8—1.25p×32)	4	
AM	87141-60030	Gasket, blower case	1	40V. LV. 45V. LV
AN	53206-60010	Cover sub-assy, cowl side air guide	1	40V. LV. 45V. LV
AO	93230-15014	Screw (oval-hd. 5—0.9p×14)	4	
AP	93180-16014	Screw (hex-hd. 6—1.0p×14)	2	
AQ	87150-60060	Radiator assy, heater (includes illustration—AR of Fig.—47)	1	40V 45V
	87150-60030	Radiator assy, heater	1	LV LV
AR	87117-55040	Adaptor, defroster hole	2	40V. LV. 45V. LV
AS	91111-40820	Bolt (hex-hd. 8—1.25p×20)	4	
	87212-60030	Duct, air	1	40V. LV. 45V. LV
AJ	90445-24087	Hose	2	40V. LV. 45V. LV
AV	94611-10600	Washer, plate (6×1.0)	1	
V	94110-40600	Nut (hex. 6—1.0p)	1	

Old Part

ELECT.

FIG.—47 HEATER & ACCESSORY OPT (For Front seat)



Toyota Land Cruiser

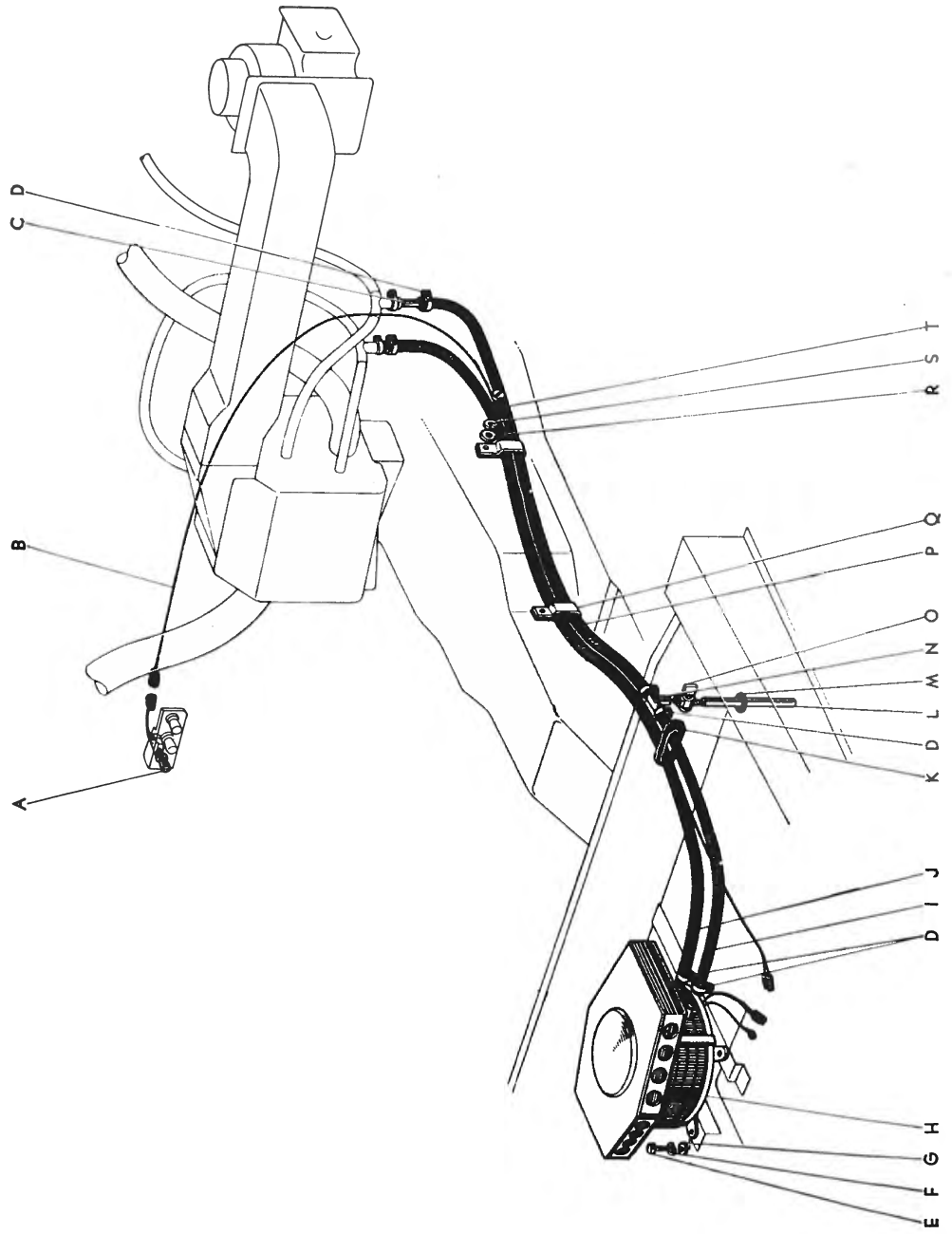
151

ILLUS- TRATION	PART NO.	NOMENCLATURE	P E R VEHICLE	MODEL
(FIG. 47)				
AK	87265-60030	Connector, water hose	3	40V. LV. 45V. LV
A'	87245-60030	Hose, water	1	40V. LV. 45V. LV
AZ	87246-60030	Hose, water	1	40V. LV. 45V. LV
BA	★90460 23032*	Clamp, hose (Replaced by 90460-22023)	2	LV LV
	90460-22023	Clamp, hose	2	40V. LV. 45V. LV
BB	87292-60030	Plug, water hose	2	40V. LV. 45V. LV
BC	90480-01109	Grommet	1	40V. LV. 45V. LV
BD	87266-60030	Connector, water hose	1	40V. LV. 45V. LV
BE	90446-08106	Hose	1	40V. LV. 45V. LV
BF	87254-60020	Cock, water hose drain	1	40V. LV. 45V. LV
	90524-08010	Spring, retainer	1	40V. LV. 45V. LV
BG	90099-35218	Clamp	1	40V. LV. 45V. LV
BH	90090-50512	Screw	1	40V. LV. 45V. LV
BI	90093-00501	Washer	1	
BJ	90094-00502	Washer	1	
BK	90092-10504	Nut	4	
BL	90093-00505	Washer	4	
BM	87211-60060	Duct sub-assy, air	3	40V 45V
		(includes illustrations—J, U, BG~BL, BN, BO of Fig.—47)	1	
	87211-60030	Duct sub-assy, air	1	LV LV
BN	90090-50512	Screw	3	
BO	87291-60030	Stay, air duct	1	40V. LV. 45V. LV
BP	90099-00004	Screw, tapping	4	40V. LV. 45V. LV
BQ	★90093 00402	Washer	4	
	94611-10400	Washer (4×0.6)	4	
BR	87294-60030	Net, air duct	1	40V. LV. 45V. LV
BS	90091-00504	Bolt	1	
BT	87134-60030	Dumper, air	1	40V. LV. 45V. LV
BU	90090-50401	Screw	2	
BV	90094-00402	Washer	2	

* Old Part

ELECT.

FIG.—48 HEATER & ACCESSORY OPT (For Rear seat) (FJ45V, 45LV)



Toyota Land Cruiser

153

ILLUS- TRATION	PART NO.	NOMENCLATURE	P E R VEHICLE	MODEL
-------------------	----------	--------------	------------------	-------

Heater & Accessory OPT (FJ45V, 45LV)

(For Rear Seat)

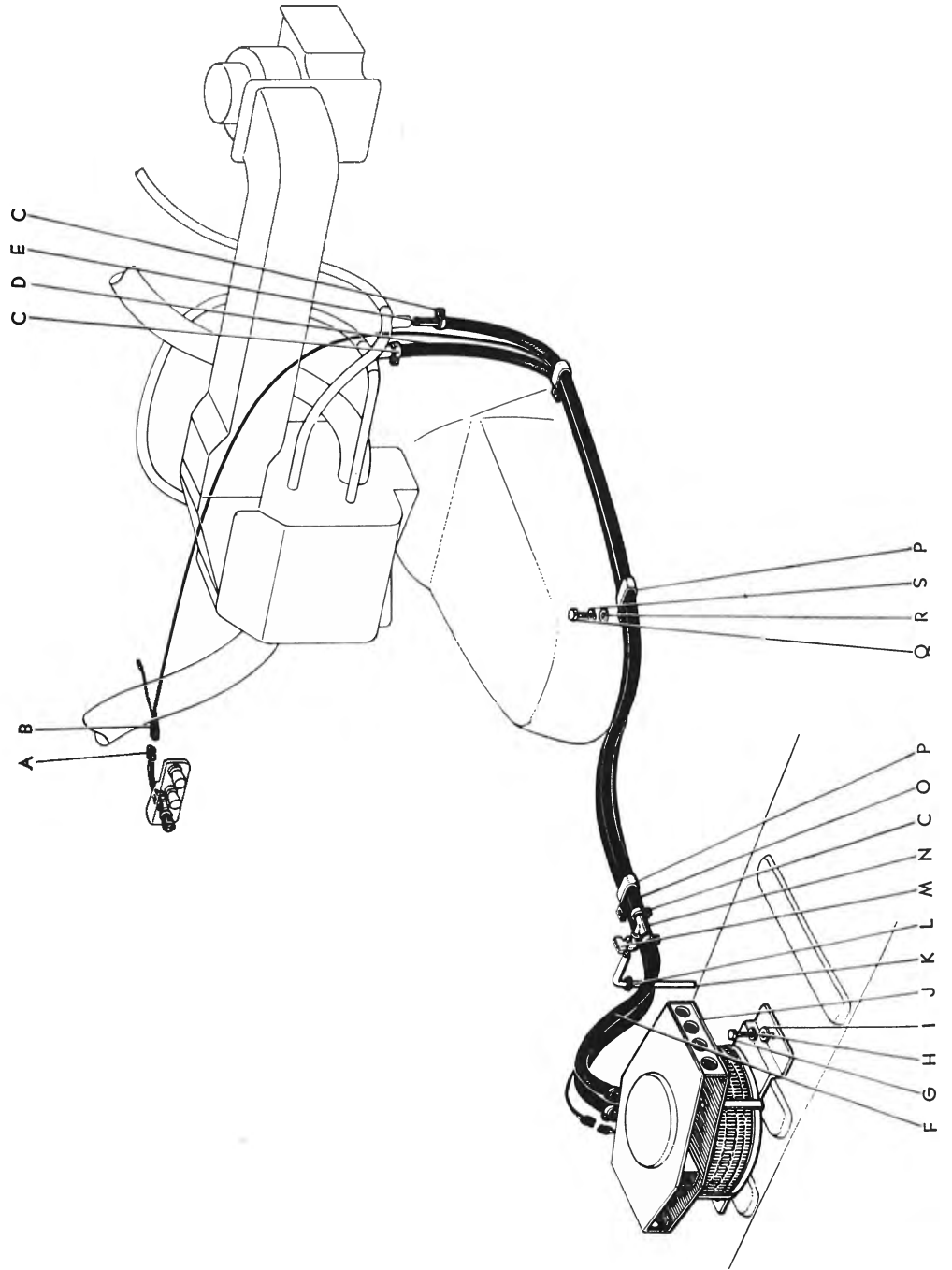
FIG.48)

	87100-60040*	Heater & accessory assy (includes illustrations—A~D, H~Q of Fig.—48)	1	LV
	87200-60070	Accessory assy, heater (includes illustrations—A~D, I~Q of Fig.—48)	1	45V
	87200-60040	Accessory assy, heater	1	LV
A	87290-60030	Switch assy, heater blower	1	40V. LV. 45V. LV
B	87291-60070	Wire, heater switch to blower	1	45V
	87291-60040	Wire, heater switch to blower	1	LV
C	87265-60040	Connector, water hose	2	40V. LV. 45V. LV
D	★90460 23032*	Clamp, hose (Replaced by 90460-22023)	6	LV LV
	90460-22023	Clamp, hose	6	40V. LV. 45V. LV
E	91111-40818	Bolt (hex-hd. 8—1.25p×18)	4	
F	94512-00800	Washer, spring (8)	4	
G	94612-10800	Washer, plate (8×1.6)	4	
H	87110-60040	Heater assy	1	45V. LV
I	90445-21093	Hose	1	40V. LV. 45V. LV
J	★90445-21092*	Hose (Replaced by 90445-21076)	1	LV
	90445-21076	Hose	1	45V. LV
K	90480-01109	Grommet	1	40V. LV. 45V. LV
L	90446-09107	Hose	1	40V. LV. 45V. LV
M	90480-13110	Grommet	1	40V. LV. 45V. LV
N	87266-60040	Connector, water hose	1	40V. LV. 45V. LV
O	87254-60020	Cock, water hose drain	1	40V. LV. 45V. LV
	90524-08010	Spring, retainer	1	40V. LV. 45V. LV
P	★90445 21094*	Hose (Replaced by 90445-21219)	1	LV
	90445-21219	Hose	1	45V. LV
Q	90461-08199	Clamp	2	40V. LV. 45V. LV
R	94612-10600	Washer, plate (6×1.0)	2	
S	94511-00600	Washer, spring (6)	2	
T	93180-16016	Screw (hex-hd. 6—1.0p×16)	2	

Old Part

ELECT.

FIG.—49 HEATER & ACCESSORY OPT (For Rear seat) (FJ40V, FJ40LV)



Toyota Land Cruiser

155

ILLUSTRATION	PART NO.	NOMENCLATURE	P E R VEHICLE	MODEL
Heater & Accessory OPT (FJ40V, FJ40LV)				
(For Rear Seat)				
(FIG.49)	87100-60050*	Heater & accessory assy (includes illustrations—A~F, J~P of Fig.—49)	1	LV
	87200-60080	Accessory assy, heater (includes illustrations—A~F, K~P of Fig.—49)	1	40V
	87200-60050	Accessory assy, heater	1	LV
A	87290-60030	Switch assy, heater blower	1	40V. LV. 45V. LV
B	87291-60080	Wire, heater switch to blower	1	40V
	87291-60050	Wire, heater switch to blower	1	LV
C	★90460-23032*	Clamp, hose—(Replaced by 90460-22023)	6	LV LV
	90460-22023	Clamp, hose	6	40V. LV. 45V. LV
D	90445-21141	Hose	1	40V. LV
E	87265-60040	Connector, water hose	2	40V. LV. 45V. LV
F	90445-21093	Hose	1	40V. LV. 45V. LV
	90480-01109	Grommet	1	40V. LV. 45V. LV
G	91111-41025	Bolt (hex-hd. 10—1.25×25)	2	
H	94511-01000	Washer, spring (10)	2	
I	94612-11000	Washer, plate (10×1.6)	2	
J	87110-60050	Heater assy	1	40V. LV
K	90446-09107	Hose	1	40V. LV. 45V. LV
L	90480-13110	Grommet	1	40V. LV. 45V. LV
M	87254-60020	Cock, water hose drain	1	40V. LV. 45V. LV
	90524-08010	Spring, retainer	1	40V. LV. 45V. LV
N	87266-60040	Connector, water hose	1	40V. LV. 45V. LV
O	90445-21142	Hose	1	40V. LV
P	90461-08199	Clamp	3	40V. LV. 45V. LV
Q	93180-16016	Screw (hex-hd. 6—1.0p×16)	3	
R	94612-10600	Washer, plate (6×1.0)	3	
S	94511-00600	Washer, spring (6)	3	

★ Old Part

ELECT.

B O D Y G R O U P

FIG.—58 FRAME & BUMPER (FJ45V, 45LV)—Old

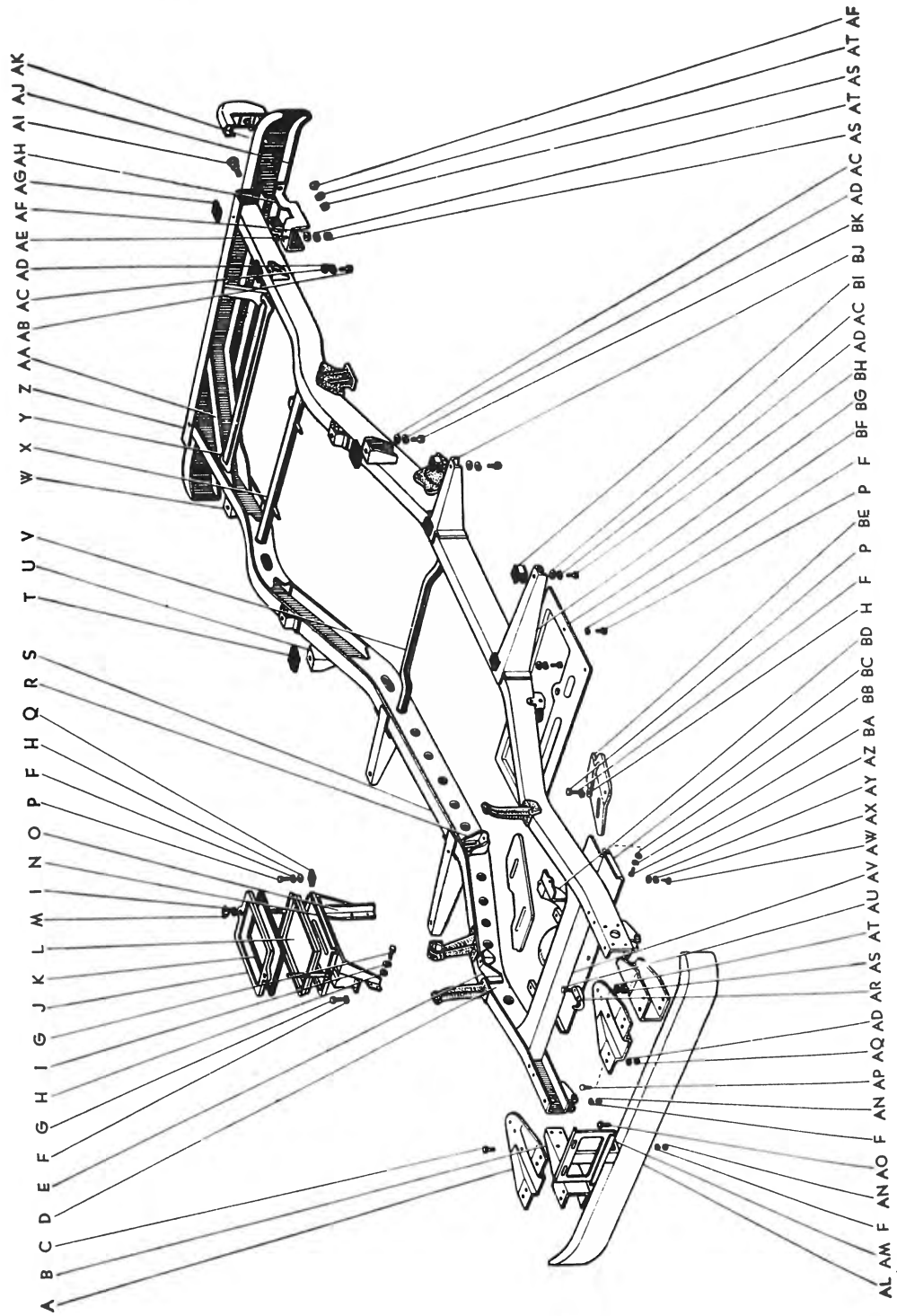
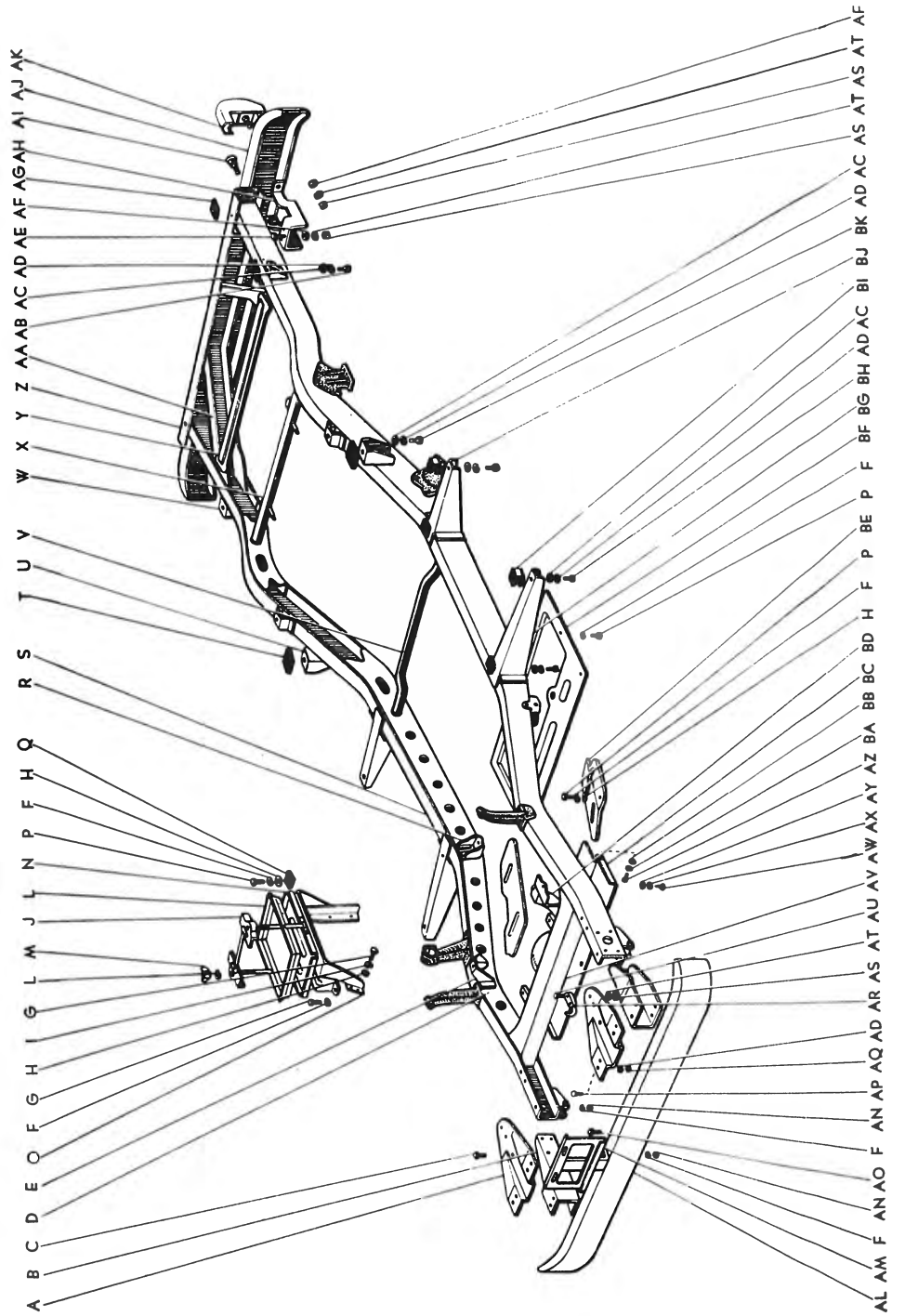


FIG.—58(a) FRAME & BUMPER (FJ45V, 451V)



Toyota Land Cruiser

177

ILLUS-
TRATION PART NO.

NOMENCLATURE

P E R
VEHICLE MODEL

Frame & Bumper (FJ45V, 45LV)

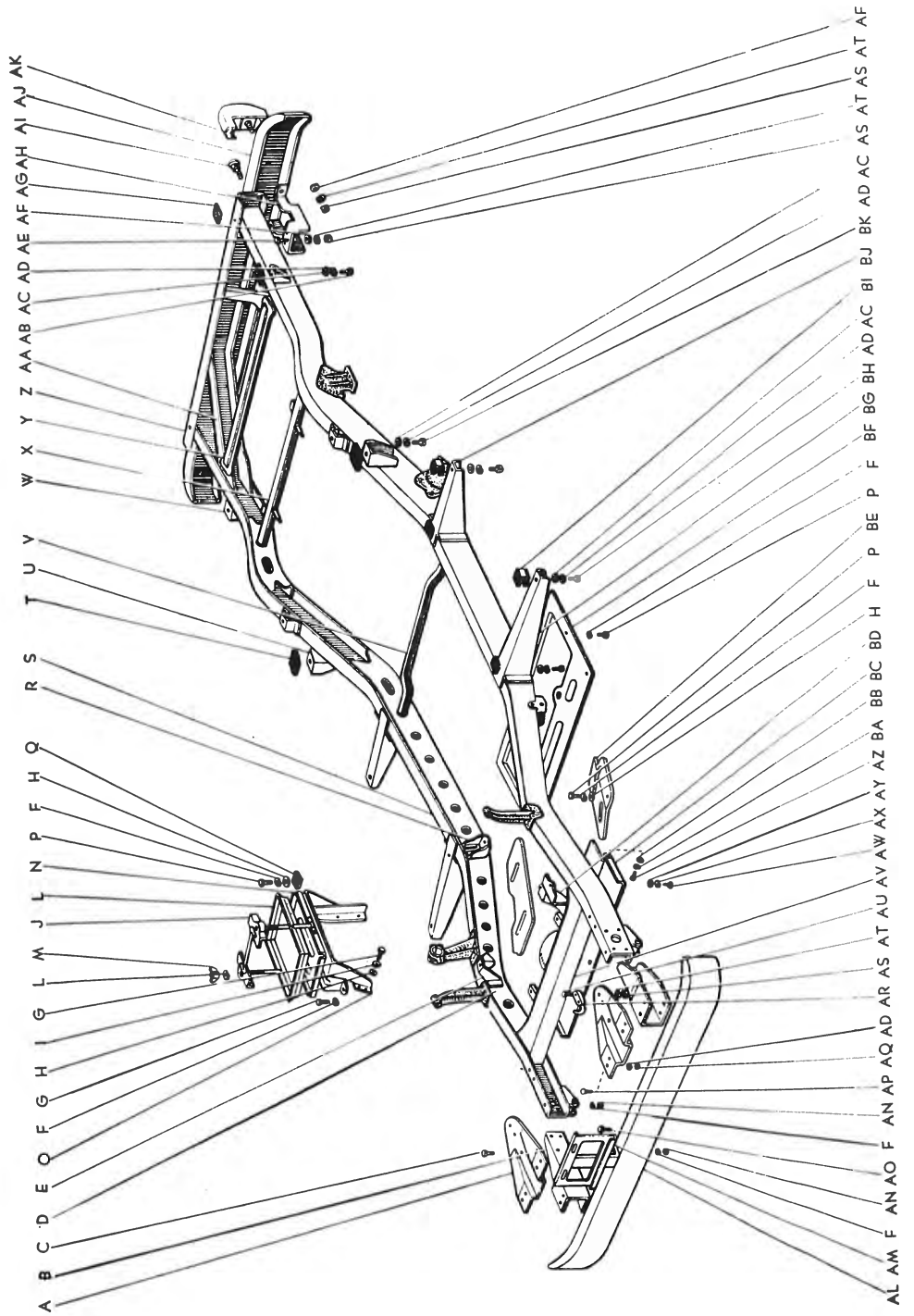
(FIG.58)

ILLUS-TRATION	PART NO.	NOMENCLATURE	P E R VEHICLE	MODEL
	51001-60010	Frame sub-assy (includes illustrations—G~K, P, S of Fig.—22 and illustrations—B, D, E, R, S, U~X, Z, AA, AV, BG of Fig.—58 of this supplement. illustrations—A, AT, AU of Fig.—79, illustration—T of Fig.—82 and illustrations—A, G, O of Fig.—90 in Parts Catalog Model FJ40.)	1	45V
	51001-60020	Frame sub-assy	1	LV
A	52116-60010	Gusset, front bumper, upper	2	40V. LV. 45V. LV
B	52141-60010	Gusset, front bumper, RH	1	40V. LV. 45V. LV
	52142-60010	Gusset, front bumper, LH	1	40V. LV. 45V. LV
C	91111-40818	Bolt (hex-hd. 8—1.25p×18)	6	
D	51131-60010	Channel, side rail inner, RH	1	45V. LV
	51132-60010	Channel, side rail inner, LH	1	45V. LV
E	51421-60010	Bracket, engine front mounting, RH	1	40V. LV. 45V. LV
	51422-60010	Bracket, engine front mounting, LH	1	40V. LV. 45V. LV
F	94512-00800	Washer, spring (8)	26	
G	91111-40825	Bolt (hex-hd. 8—1.25p×25)	6	
H	94612-10800	Washer, plate (8×1.6)	14	
I	94511-00800	Washer, spring (8)	8	
J	★74451-60010	Plate, battery set—(up to Frame No. FJ45-24610)	1	40V. LV. 45V. LV
	74404-60030	Plate sub-assy, battery set	1	40V. LV. 45V. LV
K	★74471-60010	Packing, battery set plate (up to Frame No. FJ45-24610)	1	40V. LV. 45V. LV
L	74431-60010	Tray, battery	1	40V. LV. 45V. LV
M	90175-08003	Nut, wing	2	40V. LV. 45V. LV
N	★74403-60010	Hanger sub-assy, battery—(up to Frame No. FJ45-24610)	1	40V. LV. 45V. LV
	74403-60011	Hanger sub-assy, battery	1	40V. LV. 45V. LV
	74403-60050	Hanger sub-assy, battery OPT (For 70AH battery)	1	40V. LV. 45V. LV
O	★74401-60010	Bracket sub-assy, battery—(up to Frame No. FJ45-24610)	1	40V. LV. 45V. LV
	74401-60011	Bracket sub-assy, battery	1	40V. LV. 45V. LV
P	91111-40820	Bolt (hex-hd. 8—1.25p×20)	18	
Q	52321-55010	Shim (For battery bracket)	4	40V. LV. 45V. LV
R	51431-60020	Bracket, engine rear mounting, RH	1	45V. LV
	51434-60010	Bracket, engine rear mounting, LH	1	45V. LV
S	51111-60010	Rail, frame side, RH	1	45V. LV
	51121-60010	Rail, frame side, LH	1	45V. LV

↓ ★ Old Part

BODY

FIG.—58(a) FRAME & BUMPER (FJ45V, 45LV)



Toyota Land Cruiser

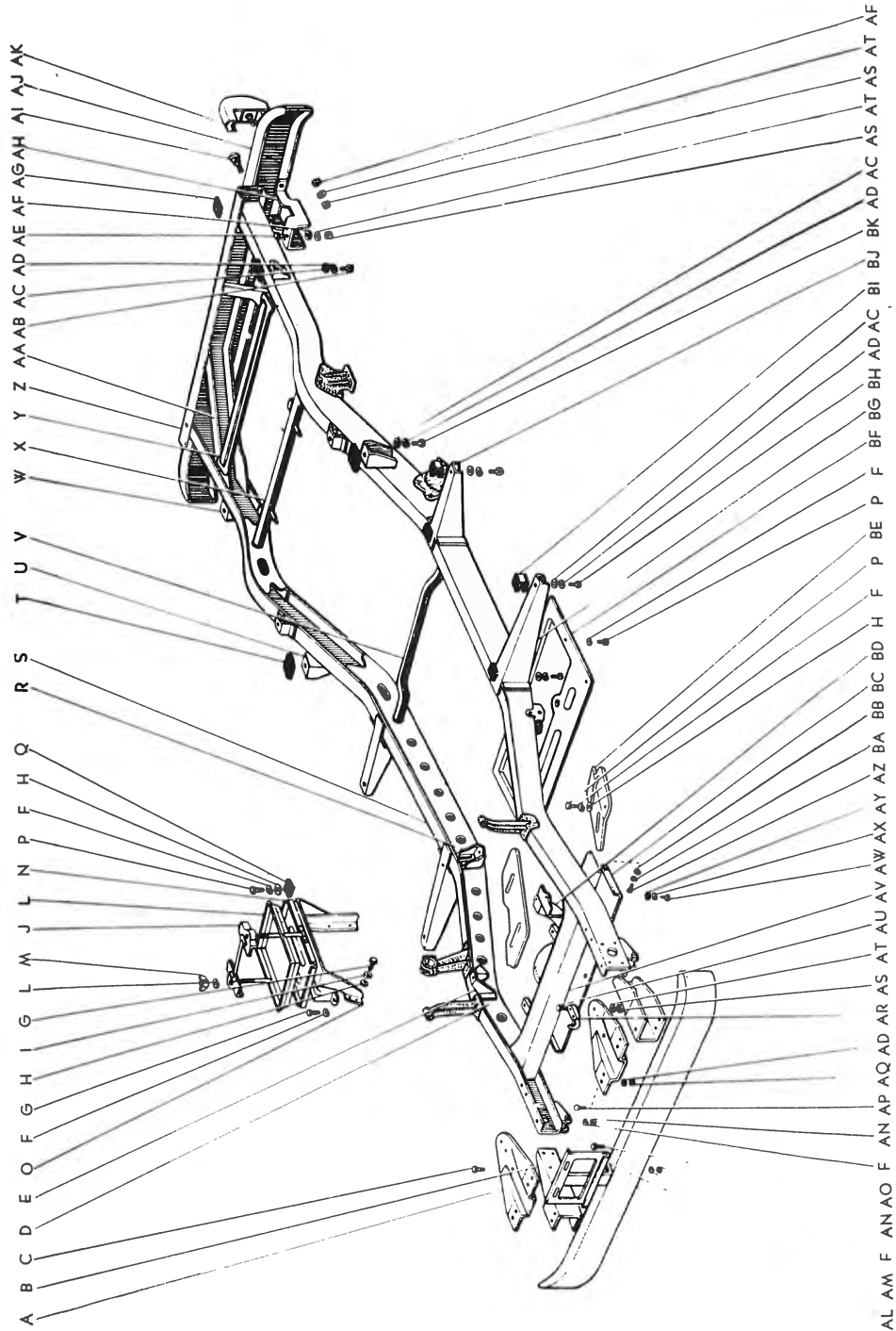
179

ILLUS- TRATION	PART NO.	NOMENCLATURE	P E R VEHICLE	MODEL
(FIG.58)				
T	52215-92000	Shim, mounting	2	45V. LV
U	51743-92002	Bracket, rear body mounting, rear	2	45V. LV
V	51221-60030	Crossmember, frame, No.2	1	45V. LV
W	51743-60010	Bracket, rear body rear mounting	2	45V. LV
X	51203-60020	Member sub-assy, rear shock absorber upper support	1	45V. LV
		(includes illustration—G of Fig.—22)		
Y	★51241-60010	Member, spare wheel set—(up to Frame No. FJ45-26777)	1	45V. LV
Z	51291-60020	Crossmember, frame rear	1	45V. LV
AA	51281-60030	Member, rear diagonal, RH	1	45V. LV
	51282-60020	Member, rear diagonal, LH	1	45V. LV
AB	91111-51036	Bolt (hex-hd. 10—1.25p×36)	6	
AC	94612-11000	Washer, plate (10×1.6)	18	
AD	94512-01000	Washer, spring (10)	16	
AE	91111-41232	Bolt (hex-hd. 12—1.5p×32)	6	
AF	94612-11200	Washer, plate (12×2.3)	10	
AG	52214-92000	Shim	0~12	45V. LV
	52216-92000	Shim	0~14	45V. LV
AH	52153-92001	Bracket, rear bumper	2	45V. LV
AI	52152-92000	Bolt, rear bumper set	2	45V. LV
AJ	52151-92002	Bar, rear bumper	1	45V. LV
AK	52107-92000	Guard sub-assy, rear bumper	2	45V. LV
AL	52111-60030	Bar, front bumper	1	40V. LV. 45V. LV
AM	75101-60010	Bracket sub-assy, front license plate	1	40V. LV. 45V. LV
AN	94110-40800	Nut (hex. 8—1.25p)	12	
AO	91111-40816	Bolt (hex-hd. 8—1.25p×16)	2	
AP	90112-10004	Bolt, round head square neck	6	40V. LV. 45V. LV
AQ	94110-41000	Nut (hex. 10—1.25p)	20	
AR	51961-60010	Hook	2	40V. LV. 45V. LV
AS	94110-41200	Nut (hex. 12—1.5p)	14	
AT	94512-01200	Washer, spring (12)	10	
AU	91111-51250	Bolt (hex-hd. 12—1.5p×50)	4	
AV	51201-60020	Crossmember sub-assy, frame, front	1	45V
	51201-60010	Crossmember sub-assy, frame, front	1	LV
AW	93540-15014	Screw, tapping	4	
AX	94511-00500	Washer, spring (5)	4	
AY	94612-10500	Washer, plate (5×1.0)	4	
AZ	91111-40616	Bolt (hex-hd. 6—1.0p×16)	2	

↓ ★ Old Part

BODY

FIG.—58(a) FRAME & BUMPER (FJ45V, 45LV)



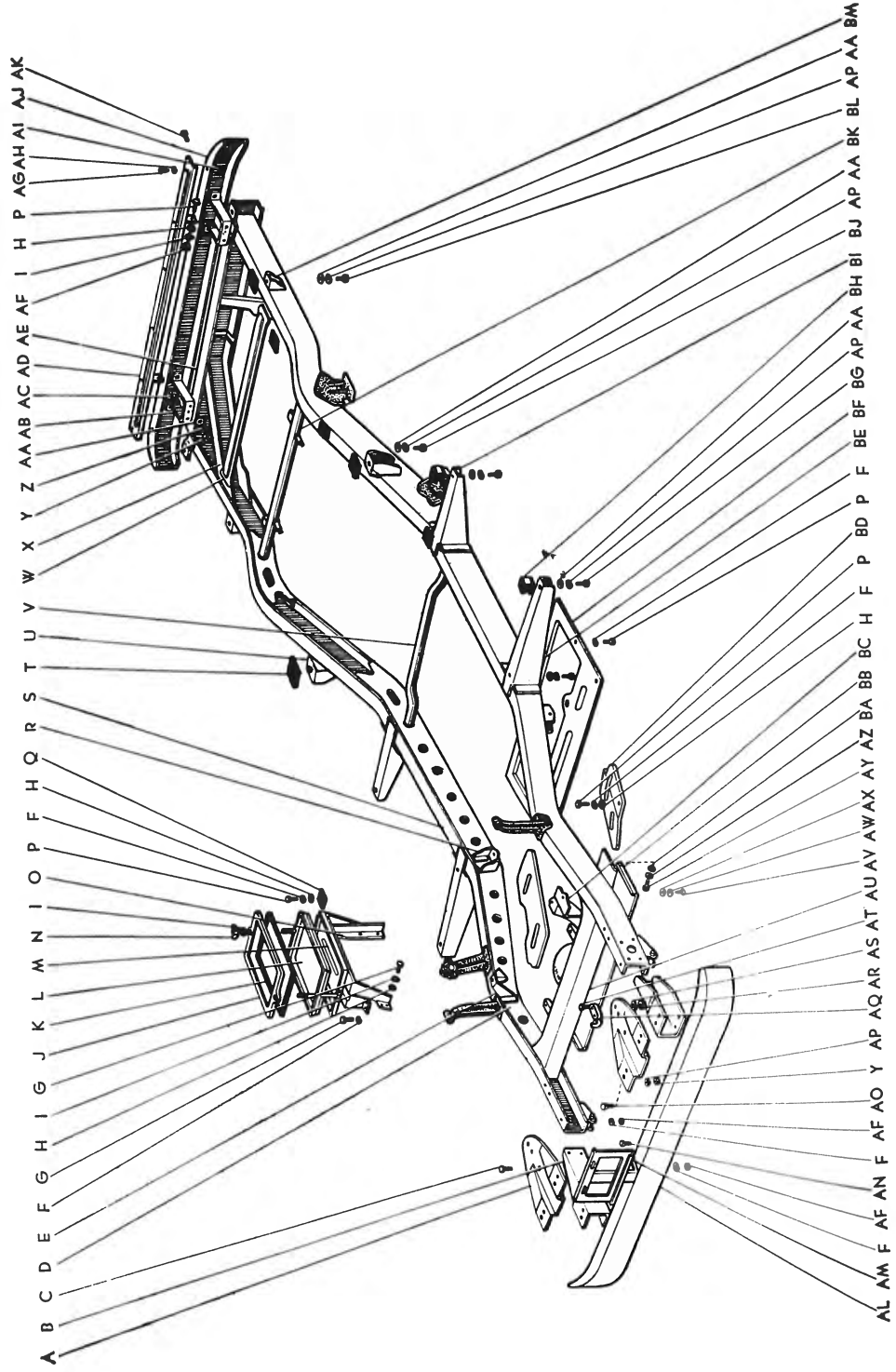
Toyota Land Cruiser

181

ILLUS- TRATION	PART NO.	NOMENCLATURE	P E R VEHICLE	MODEL
(FIG.58)				
BA	94512-00600	Washer, spring (6)	2	
BB	94613-10600	Washer, plate (6×1.0)	2	
BC	51408-60010	Cover sub-assy, engine front under (includes illustrations—AW~AY, BD of Fig.—58)	1	40V. LV. 45V. LV
BD	51405-60010	Plate sub-assy, engine front under cover hole	1	40V. LV. 45V. LV
BE	51454-60010	Cover, engine room under, LH	1	40V. LV. 45V. LV
	51453-60010	Cover, engine room under, RH	1	40V. LV. 45V. LV
BF	51495-60010	Cover, transmission under	1	40V. LV. 45V. LV
BG	51712-60010	Bracket, front body rear mounting	1	45V. LV
	51711-60020	Bracket, front body rear mounting	1	45V. LV
BH	91111-51045	Bolt (hex-hd. 10—1.25p×45)	4	
BI	52033-30010	Plate sub-assy, body mounting shim	4	40V. LV. 45V. LV
BJ	51742-92000	Bracket, front floor, LH	1	45V. LV
	51741-92000	Bracket, front floor, RH	1	45V. LV
BK	91111-51040	Bolt (hex-hd. 10—1.25p×40)	4	

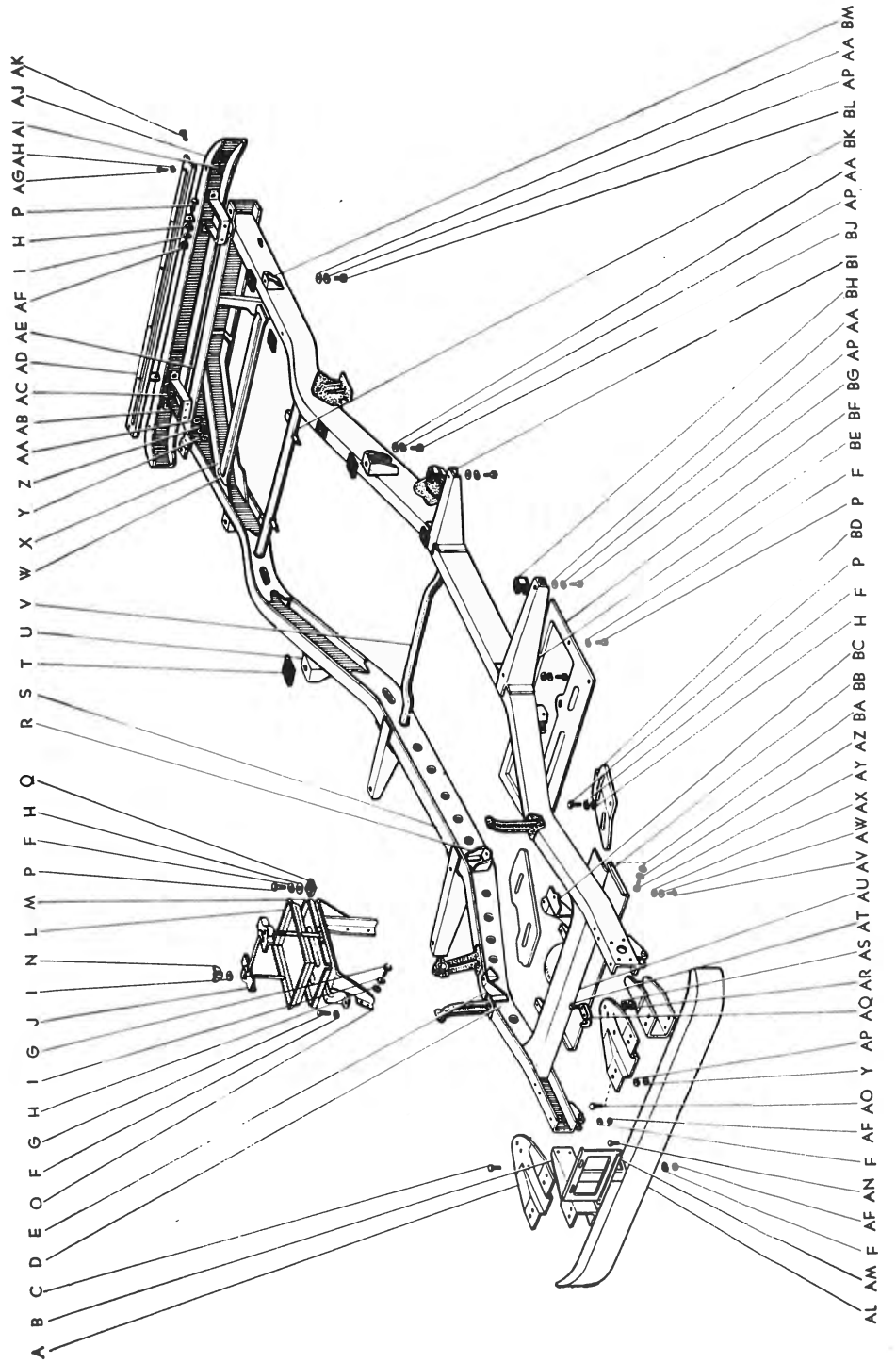
BODY

FIG.—59 FRAME & BUMPER OPT (FJ45V, 45LV)—Old



B 0611-C

FIG.—59(a) FRAME & BUMPER OPT (FJ45V, 45LV)



Toyota Land Cruiser

183

ILLUS- TRATION	PART NO.	NOMENCLATURE	P E R VEHICLE	MODEL
-------------------	----------	--------------	------------------	-------

Frame & Bumper OPT (FJ45V, 45LV)

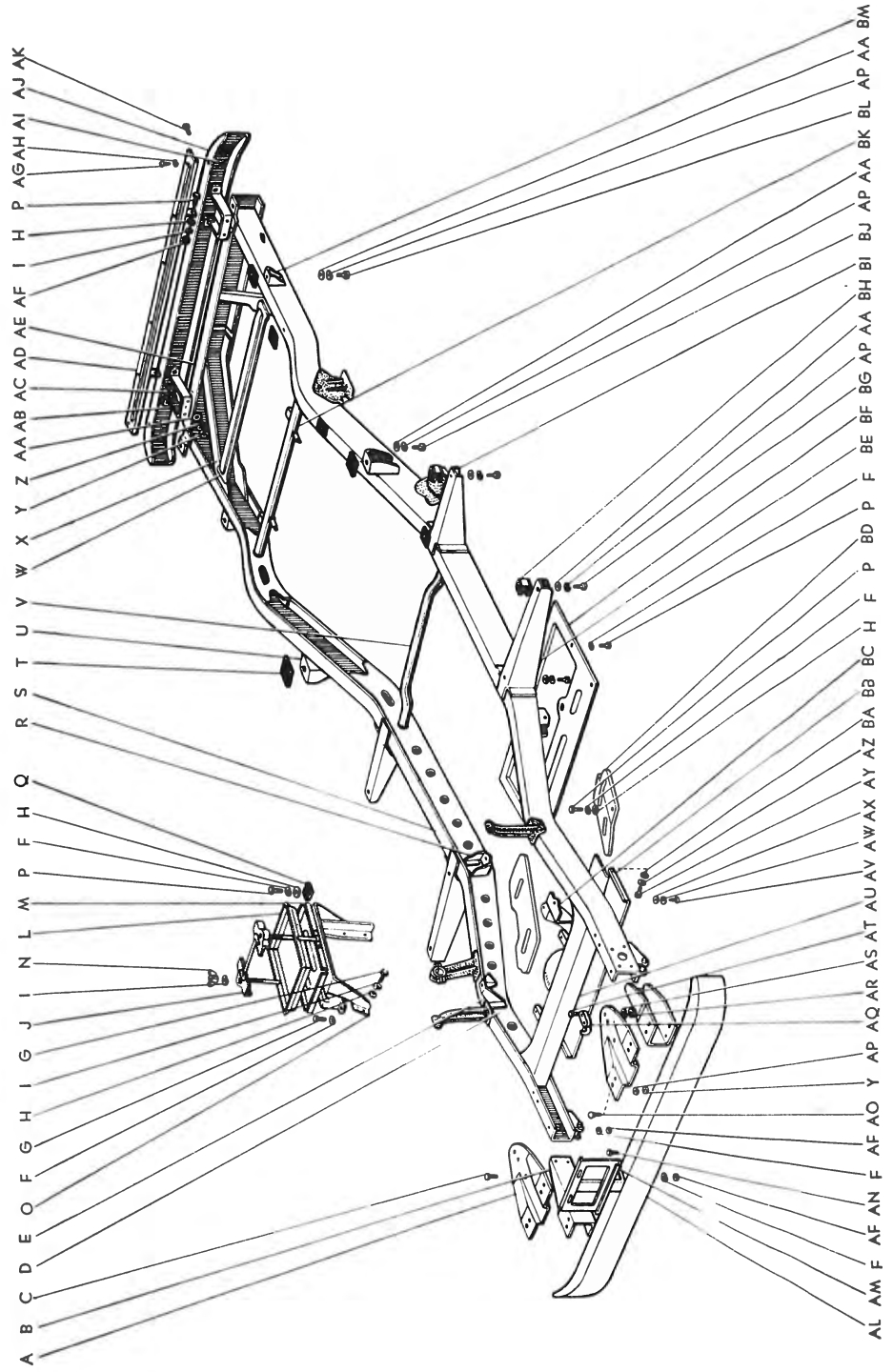
(FIG.59)

	51001-60010	Frame sub-assy (includes illustrations—G~K, P, S of Fig.—22 and illustrations—B, D, E, R, S, U, V, X, AE, AU, BE, BK, BM of Fig.—59 of this supplement. illustrations—AT, AU of Fig.—79, illustration—T of Fig.—82 and illustrations—A, G, O of Fig.—90 in Parts Catalog Model FJ40.)	1	45V
	51001-60020	Frame sub-assy	1	LV
A	52116-60010	Gusset, front bumper, upper	2	40V. LV. 45V. LV
B	52141-60010	Gusset, front bumper, RH	1	40V. LV. 45V. LV
	52142-60010	Gusset, front bumper, LH	1	40V. LV. 45V. LV
C	91111-40818	Bolt (hex-hd. 8—1.25p×18)	6	
D	51131-60010	Channel, side rail inner, RH	1	45V. LV
	51132-60010	Channel, side rail inner, LH	1	45V. LV
E	51421-60010	Bracket, engine front mounting, RH	1	40V. LV. 45V. LV
	51422-60010	Bracket, engine front mounting, LH	1	40V. LV. 45V. LV
F	94512-00800	Washer, spring (8)	26	
G	91111-40825	Bolt (hex-hd. 8—1.25p×25)	6	
H	94612-10800	Washer, plate (8×1.6)	14	
I	94511-00800	Washer, spring (8)	8	
J	★74451-60010	Plate, battery set—(up to Frame No. FJ45-24610)	1	40V. LV. 45V. LV
	74404-60030	Plate sub-assy, battery set	1	40V. LV. 45V. LV
K	★74471-60010	Packing, battery set plate (up to Frame No. FJ45-24610)	1	40V. LV. 45V. LV
L	74431-60010	Tray, battery	1	40V. LV. 45V. LV
M	★74403-60010	Hanger sub-assy, battery—(up to Frame No. FJ45-24610)	1	40V. LV. 45V. LV
	74403-60011	Hanger sub-assy, battery	1	40V. LV. 45V. LV
	74403-60050	Hanger sub-assy, battery OPT (For 70AH battery)	1	40V. LV. 45V. LV
N	90175-08003	Nut, wing	2	40V. LV. 45V. LV
O	★74401-60010	Bracket sub-assy, battery—(up to Frame No. FJ45-24610)	1	40V. LV. 45V. LV
	74401-60011	Bracket sub-assy, battery	1	40V. LV. 45V. LV
P	91111-40820	Bolt (hex-hd. 8—1.25p×20)	18	
Q	52321-55010	Shim (For battery bracket)	4	40V. LV. 45V. LV
R	51431-60020	Bracket, engine rear mounting, RH	1	45V. LV
	51434-60010	Bracket, engine rear mounting, LH	1	45V. LV

★ Old Part

BODY

FIG.—59(a) FRAME & BUMPER OPT (FJ45V, 45LV)



Toyota Land Cruiser

185

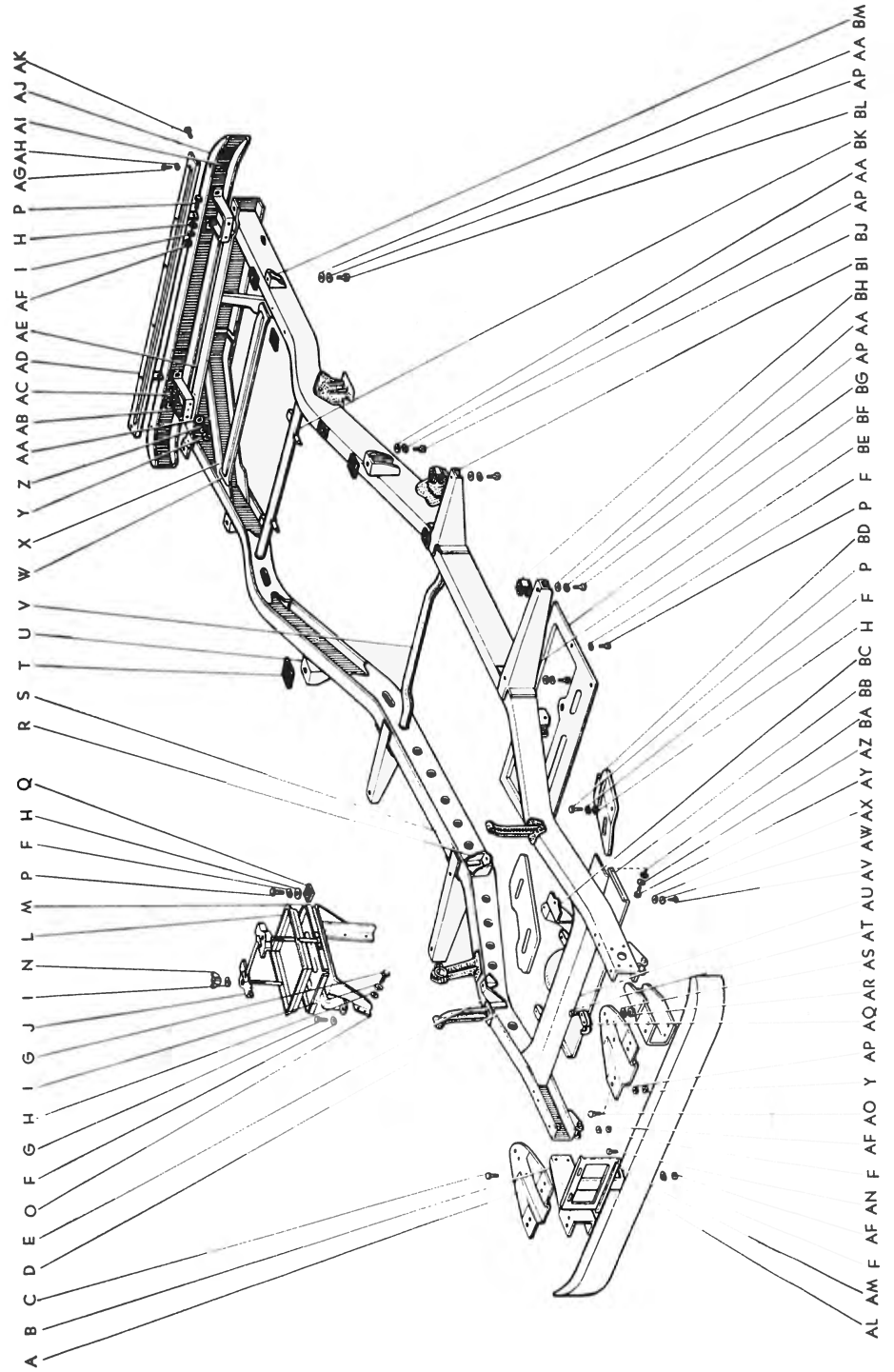
ILLUSTRATION	PART NO.	NOMENCLATURE	P E R VEHICLE	MODEL
(FIG.59)				
S	51111-60010	Rail, frame side, RH	1	45V. LV
	51121-60010	Rail, frame side, LH	1	45V. LV
T	52215-92000	Shim, mounting	2	45V. LV
U	51743-92002	Bracket, rear body mounting, rear	2	45V. LV
V	51221-60030	Crossmember, frame, No.2	1	45V. LV
W	*51241-60010	Member, spare wheel set (up to Frame No. 26777)	1	45V. LV
X	51281-60030	Member, rear diagonal, RH	1	45V. LV
	51282-60020	Member, rear diagonal, LH	1	45V. LV
Y	94110-41000	Nut (hex. 10—1.25p)	24	
Z	94511-01000	Washer, spring (10)	4	
AA	94612-11000	Washer, plate (10×1.6)	22	
AB	52153-92050	Bracket, rear bumper OPT	2	45V. LV
AC	91111-41032	Bolt (hex-hd. 10—1.25p×32)	4	
AD	52106-92050	Plate sub-assy, rear bumper bracket OPT	1	45V. LV
AE	51291-60020	Crossmember, frame rear	1	45V. LV
AF	94110-40800	Nut (hex. 8—1.25p)	12	
AG	93210-16016	Screw (rd-hd. 6—1.0p×16)	6	
AH	94511-00600	Washer, spring (6)	6	
AI	94110-40600	Nut (hex. 6—1.0p)	6	
AJ	52151-92050	Bumper, rear	1	45V. LV
	52152-92050	Bumper, rear OPT (For pintle hook)	2	45V. LV
AK	52152-92000	Bolt, rear bumper set	2	45V. LV
AL	52111-60030	Bar, front bumper	1	40V. LV. 45V. LV
AM	75101-60010	Bracket sub-assy, front license plate	1	40V. LV. 45V. LV
AN	91111-40816	Bolt (hex-hd. 8—1.25p×16)	2	
AO	90112-10004	Bolt, round head square neck	6	40V. LV. 45V. LV
AP	94512-01000	Washer, spring (10)	16	
AQ	51961-60010	Hook	2	40V. LV. 45V. LV
AR	94110-41200	Nut (hex. 12—1.5p)	14	
AS	94512-01200	Washer, spring (12)	10	
AT	91111-51250	Bolt (hex-hd. 12—1.5p×50)	4	
AJ	51201-60020	Crossmember sub-assy, frame, front	1	45V
	51201-60010	Crossmember sub-assy, frame, front	1	LV
AV	93540-15014	Screw, tapping	4	
AW	94511-00500	Washer, spring (5)	4	
AX	94612-10500	Washer, plate (5×1.0)	4	
AY	91111-40616	Bolt (hex-hd. 6—1.0p×16)	2	
AZ	94512-00600	Washer, spring (6)	2	
BA	94613-10600	Washer, plate (6×1.0)	2	
BB	51408-60010	Cover sub-assy, engine front under	1	40V. LV. 45V. LV

(includes illustrations—AV~AX, BC of Fig.—59)

↓ * Old Part

BODY

FIG.—59(a) FRAME & BUMPER OPT (FJ45V, 45LV)



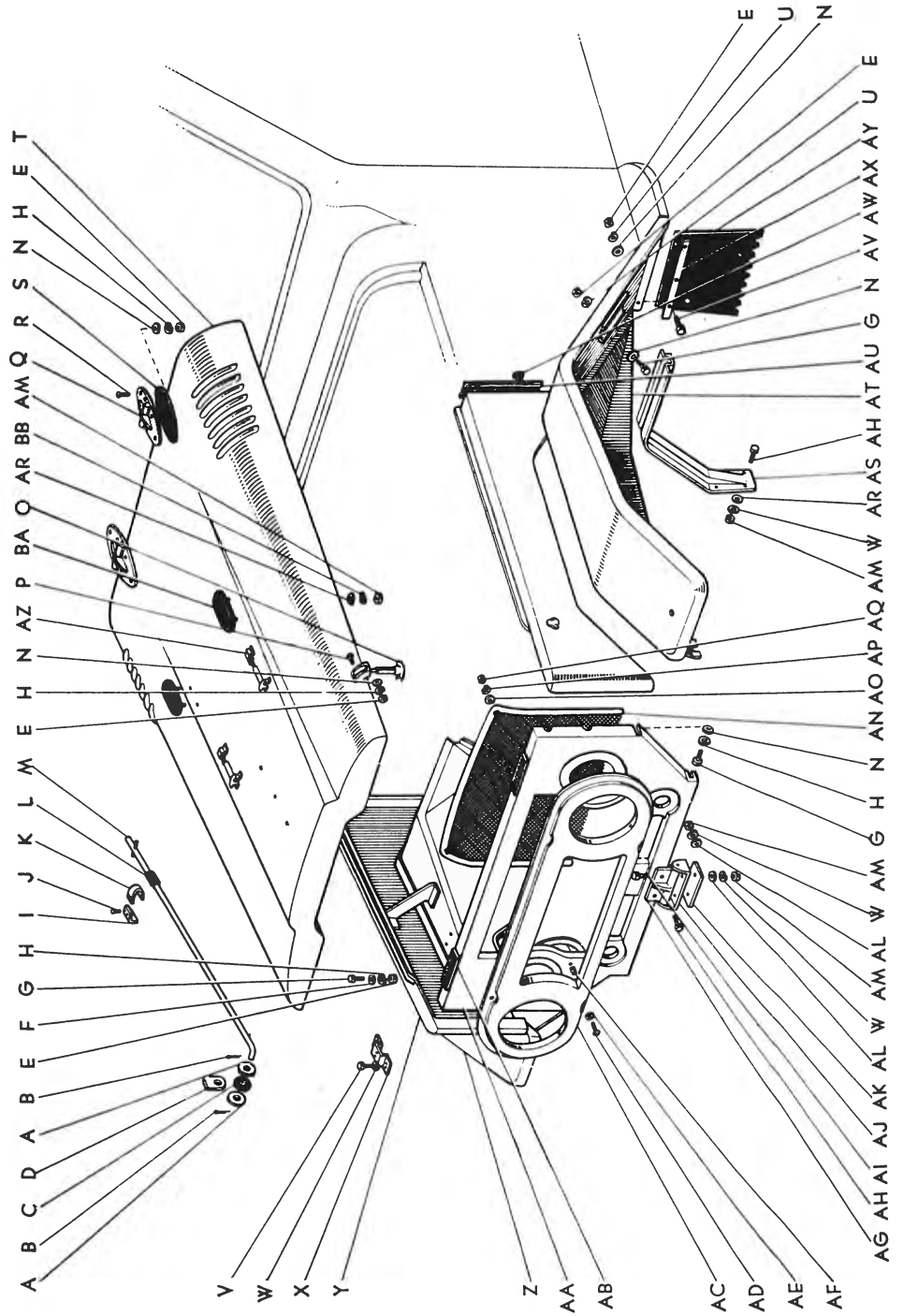
Toyota Land Cruiser

187

ILLUS- TRATION	PART NO.	NOMENCLATURE	P E R VEHICLE	MODEL
(FIG.59)				
BC	51405-60010	Plate sub-assy, engine front under cover hole	1	40V. LV. 45V. LV
BD	51454-60010	Cover, engine room under, LH	1	40V. LV. 45V. LV
	51453-60010	Cover, engine room under, RH	1	40V. LV. 45V. LV
BE	51712-60010	Bracket, front body rear mounting	1	45V. LV
	51711-60020	Bracket, front body rear mounting	1	45V. LV
BF	51495-60010	Cover, transmission under	1	40V. LV. 45V. LV
BG	91111-51045	Bolt (hex-hd. 10—1.25p×45)	4	
BH	52033-30010	Plate sub-assy, body mounting shim	4	40V. LV. 45V. LV
BI	51742-92000	Bracket, front floor, LH	1	45V. LV
	51741-92000	Bracket, front floor, RH	1	45V. LV
BJ	91111-51040	Bolt (hex-hd. 10—1.25p×40)	4	
BK	51203-60020	Member sub-assy, rear shock absorber		
		upper support	1	45V. LV
		(includes illustration—G of Fig.—22)		
BL	91111-51036	Bolt (hex-hd. 10—1.25p×36)	6	
BM	51743-60010	Bracket, rear body rear mounting	2	45V. LV

BODY

FIG.—60 HOOD & RADIATOR GRILLE



Toyota Land Cruiser

189

ILLUSTRATION	PART NO.	NOMENCLATURE	P E R VEHICLE	MODEL
Hood, Hood Catch, Radiator Cover, Grille, Front Fender & Apron				
(FIG.60)				
A	94612-11000	Washer, plate (10×1.6)	2	
B	95381-02025	Pin, cotter	2	
C	90480-20023	Grommet	1	40V. LV. 45V. LV
D	53433-60010*	Plate, hood stay hinge	1	40V. LV. 45V. LV
E	94110-40600	Nut (hex. 6—1.0p)	20	•
			(FJ45V, 45LV=22)	
F	90201-06028	Washer, plate	12	40V. LV. 45V. LV
G	91111-40616	Bolt (hex-hd. 6—1.0p×16)	23	
H	94511-00600	Washer, spring (6)	24	
I	53432-60010*	Bracket, hood stay clamp spring	1	40V. LV. 45V. LV
J	95112-00305	Rivet	3	
K	53431-60010	Spring, hood stay clamp	1	40V. LV. 45V. LV
L	90540-09007	Cushion	1	40V. LV. 45V. LV
M	53403-60010	Stay sub-assy, hood (includes illustration—L of Fig.—60)	1	40V. LV. 45V. LV
N	94613-10600	Washer, plate (6×1.0)	33	
			(FJ45V, 45LV=35)	
O	53506-60010	Catch sub-assy, hood	2	40V. LV. 45V. LV
P	93210-16016	Screw (rd-hd. 6—1.0p×16)	8	
Q	★53401-60010*	Hinge sub-assy, hood—(Replaced by 53410-60010)	2	40V. LV. 45V. LV
	53410-60010	Hinge assy, hood	2	40V. LV. 45V. LV
R	93230-16016	Screw (oval-hd. 6—1.0p×16)	12	
S	53412-60010	Cushion, hood hinge seat	4	40V. LV. 45V. LV
T	★53301-60020	Hood sub-assy	1	40V. LV
	53301-60010	Hood sub-assy-①	1	45V. LV
	★53301-60050	Hood sub-assy OPT	1	40V. LV
	53301-60040	Hood sub-assy-①	1	40V. LV
	53301-92000	Cover sub-assy, hood	1	45V. LV
U	94512-00600	Washer, spring (6)	4	
			(FJ45V, 45LV=10)	
V	91111-40816	Bolt (hex-hd. 8—1.25p×16)	12	
W	94512-00800	Washer, spring (8)	19	

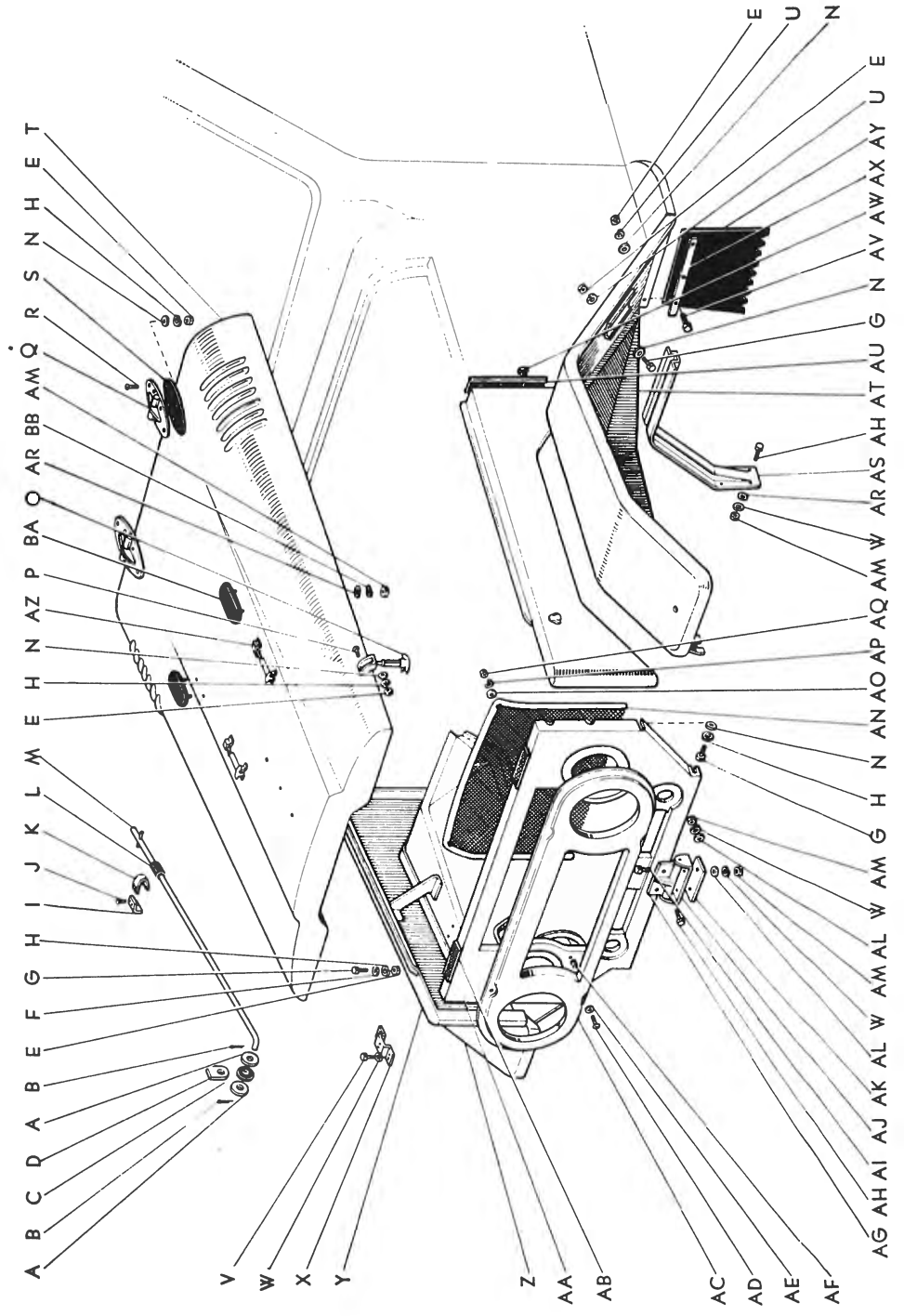
★ Old Part

① from Frame No. FJ40-36364

↓

BODY

FIG.—60 HOOD & RADIATOR GRILLE



Toyota Land Cruiser

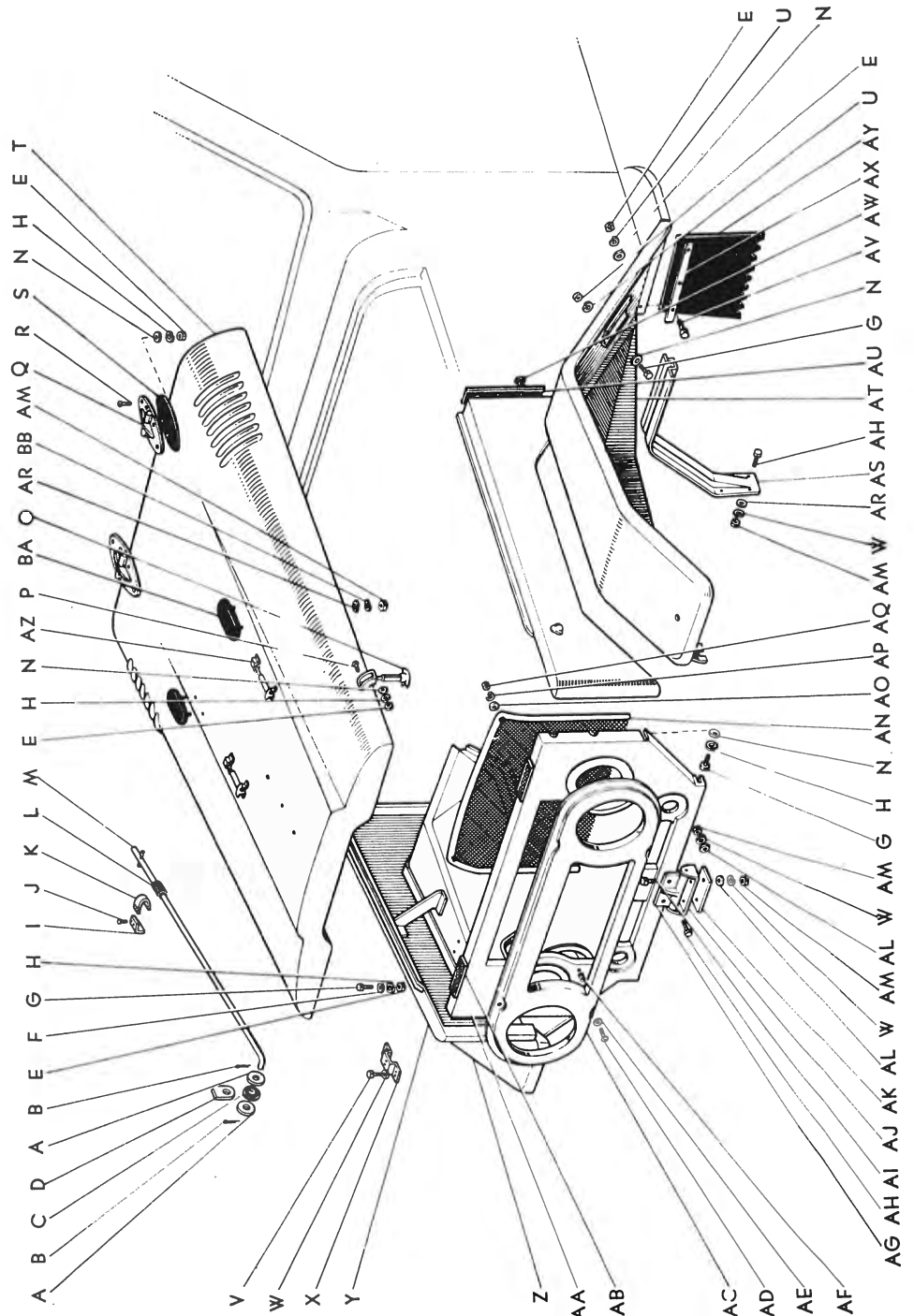
191

ILLUS- TRATION	PART NO.	NOMENCLATURE	P E R VEHICLE	MODEL
(FIG.60)				
X	86508-60010	Bracket sub-assy, horn, RH	1	40V. LV. 45V. LV
	86509-60010	Bracket sub-assy, horn, LH	1	40V. LV. 45V. LV
Y	53303-60010	Panel sub-assy, hood side, RH	1	40V. LV. 45V. LV
	53304-60010	Panel sub-assy, hood side, LH	1	40V. LV. 45V. LV
Z	53810-60010	Fender assy, front, RH	1	40V
		(includes illustrations—AS, AT of Fig.—60)		
	53810-60040	Fender assy, front, RH	1	LV
	53810-92000	Fender assy, front, RH	1	45V
	53810-92100	Fender assy, front, RH	1	LV
	53820-60010	Fender assy, front, LH	1	40V
	53820-60020	Fender assy, front, LH	1	LV
	53820-92000	Fender assy, front, LH	1	45V
	53820-92100	Fender assy, front, LH	1	LV
	53820-92170	Fender assy, front, LH (For U.S.A.)	1	LV
AA	53106-60010	Cover sub-assy, radiator	1	40V. LV. 45V. LV
AB	53149-60010	Shim, radiator cover cushion	2	40V. LV. 45V. LV
AC	53111-60010	Grille, radiator	1	40V. LV. 45V. LV
AD	93210-26025	Screw (rd-hd. 6—1.0p×25)	4	
AE	94521-00600	Washer, toothed (6)	4	
AF	53112-60010	Piece, radiator grille distance	4	40V. LV. 45V. LV
AG	53152-60010	Hinge, radiator cover support	1	40V. LV. 45V. LV
AH	91111-50825	Bolt (hex-hd. 8—1.25p×25)	11	
AI	91111-50832	Bolt (hex-hd. 8—1.25p×32)	2	
AJ	53107-60010	Bracket sub-assy, radiator cover support hinge	1	40V. LV. 45V. LV
AK	53154-60010	Shim, radiator cover support hinge bracket	1	40V. LV. 45V. LV
AL	94613-10800	Washer, plate (8×1.6)	5	
AM	94110-40800	Nut (hex. 8—1.25p)	27	
AN	53011-60010	Ornament sub-assy, radiator grille	1	40V. LV. 45V. LV
AO	94612-10500	Washer, plate (5×1.0)	4	
AP	94511-00500	Washer, spring (5)	4	
AQ	94110-40500	Nut (hex. 5—0.9p)	4	
AR	94612-10800	Washer, plate (8×1.6)	18	
AS	53852-60010*	Stay, front fender, LH	1	40V. LV. 45V. LV
	53851-60010*	Stay, front fender, RH	1	40V. LV. 45V. LV
AT	53712-60010*	Apron, fender, LH	1	40V 45V
	53702-60010*	Apron sub-assy, fender, LH	1	LV LV
	53701-60010*	Apron sub-assy, fender, RH	1	40V 45V
	53711-60050*	Apron, fender, RH	1	LV LV

* Old Part

BODY

FIG.—60 HOOD & RADIATOR GRILLE



Toyota Land Cruiser

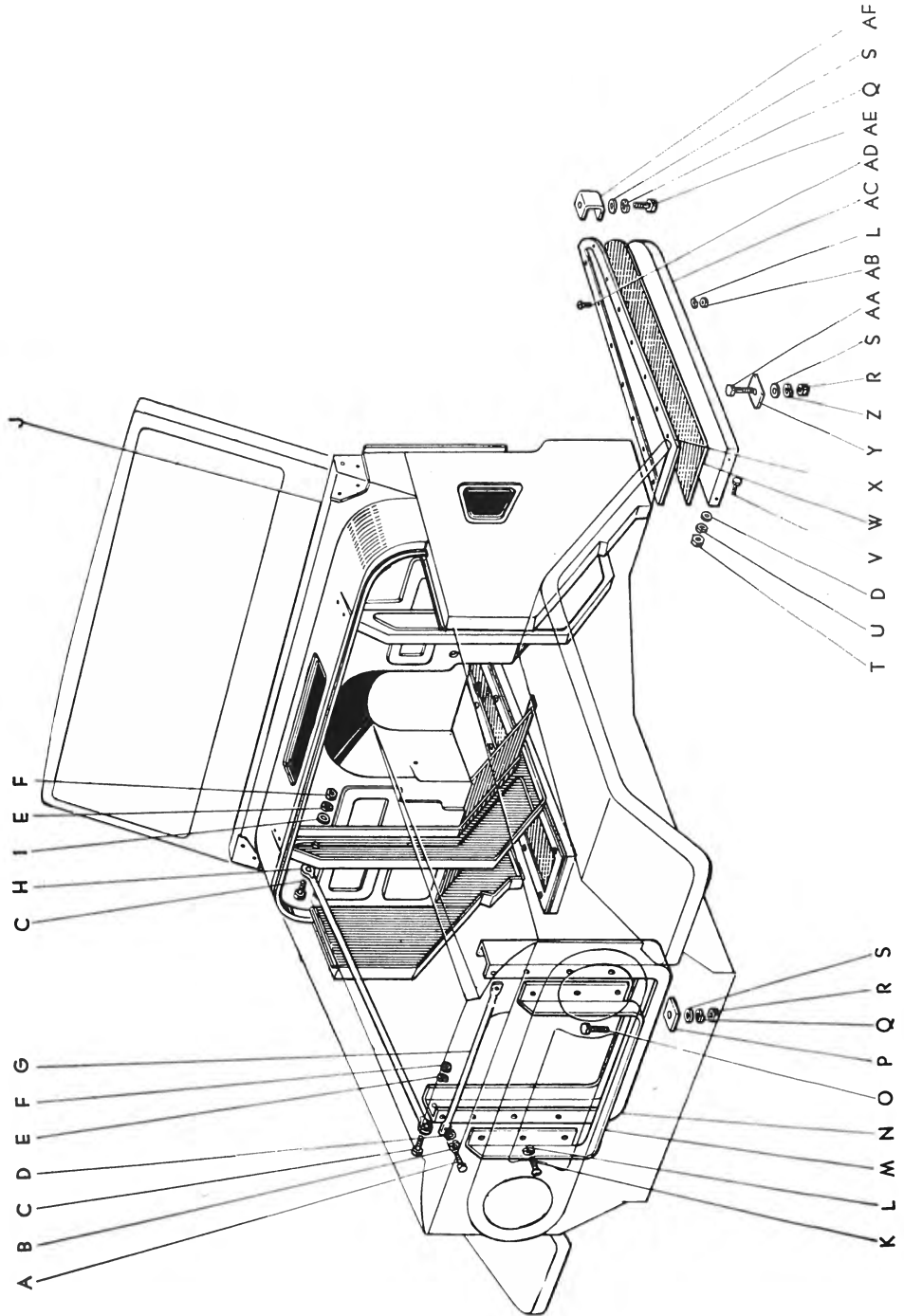
193

ILLUS- TRATION	PART NO.	NOMENCLATURE	P E R VEHICLE	MODEL
(FIG.60)				
AU	53359-60010	Shim, hood side panel cushion	2	40V. LV. 45V. LV
AV	91111-40620	Bolt (hex-hd. 6—1.0p×20)	6	(FJ45V, LV only)
AW	77653-35010	Clamp (For hood side panel cushion shim)	6	40V. LV. 45V. LV
AX	53882-92000	Plate, mudguard set retainer (Excludes U.S.A.)	2	45V. LV
AY	★53881-92000	Rubber, mudguard (Excludes U.S.A.)	2	45V. LV
	53884-92000	Rubber, mudguard, LH (Excludes U.S.A.)	1	45V. LV
	53883-92000	Rubber, mudguard, RH (Excludes U.S.A.)	1	45V. LV
AZ	53304-60020	Fastener sub-assy, hood—(from Frame No. FJ40-36364)	1	40V. LV
BA	53334-60010	Block, windshield rest—(from Frame No. FJ40-36364)	2	40V. LV
BB	94511-00800	Washer, spring (8)	4	

★ Old Part

BODY

FIG.—61 RADIATOR SUPPORT, COWL & STEP (F140V, 40LV)



Toyota Land Cruiser

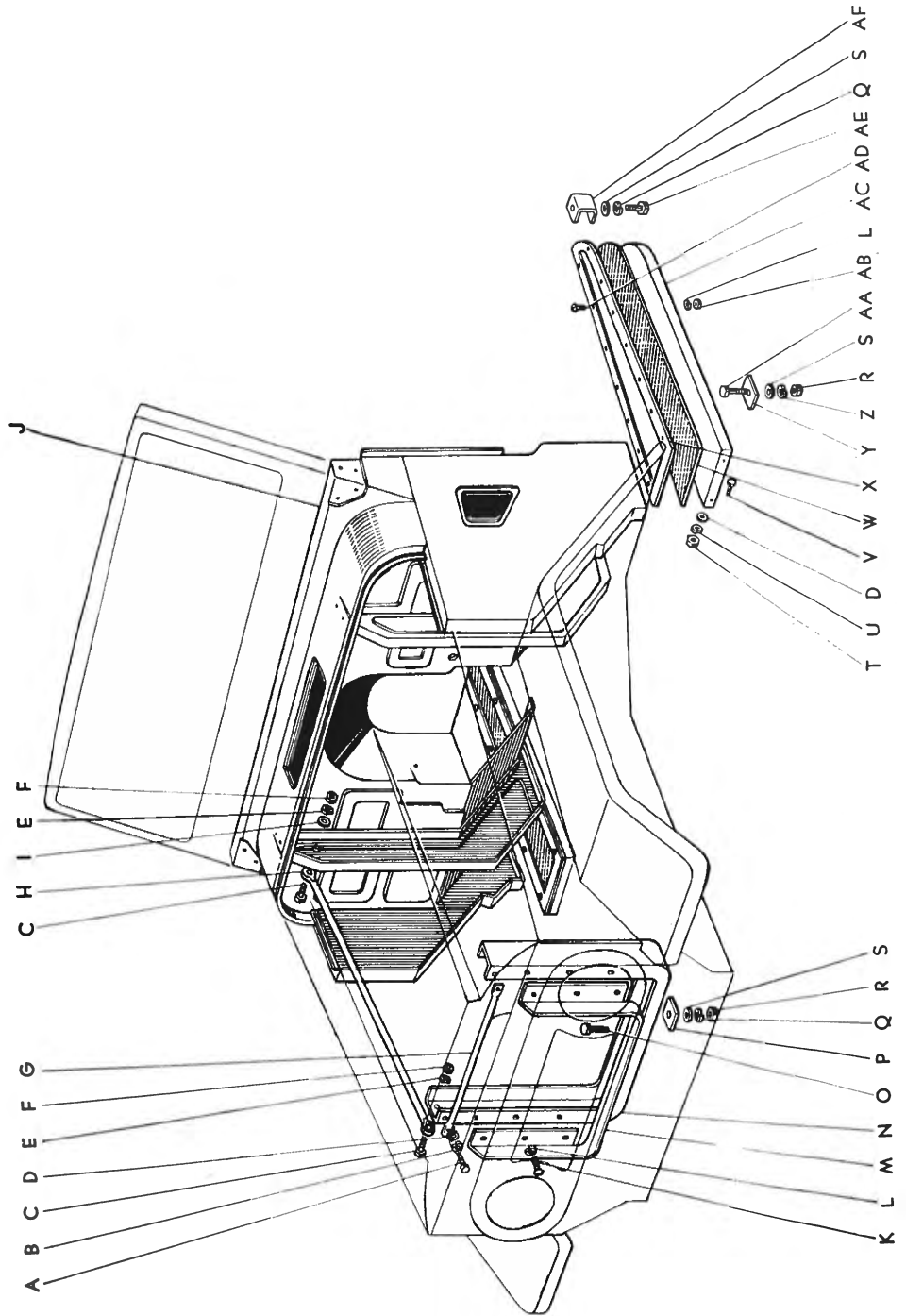
195

ILLUS- TRATION	PART NO.	NOMENCLATURE	P E R VEHICLE	MODEL
Radiator Support, Cowl & Step (FJ40V, 40LV)				
(FIG.61)				
A	91111-40820	Bolt (hex-hd. 8—1.25p×20)	2	
B	94512-00800	Washer, spring (8)	2	
C	91111-40616	Bolt (hex-hd. 6—1.0p×16)	2	
D	94612-10800	Washer, plate (8×1.6)	26	
E	94511-00600	Washer, spring (6)	2	
F	94110-40600	Nut (hex. 6—1.0p)	2	
G	53163-60010	Bar, radiator support	1	40V. LV 45V. LV
H	53167-60010	Rod, radiator brace	1	40V. LV 45V. LV
I	94613-10600	Washer, plate (6×1.0)	1	
J	55701-60030	Cowl sub-assy	1	40V
		(includes illustration—W of Fig.—63 of this supplement. illustrations—A, J, O of Fig.—43 in Parts Catalog Model FJ40.)		
	55701-60060	Cowl sub-assy	1	LV
	55701-60070	Cowl sub-assy OPT	1	LV
K	93110-15010	Screw (rd-hd. 5—0.9p×10)	6	
L	94511-00500	Washer, spring (5)	34	
M	53164-60010	Plate, radiator shroud	1	40V. LV 45V. LV
N	53108-60010	Support sub-assy, radiator	1	40V. LV 45V. LV
O	91111-41028	Bolt (hex-hd. 10—1.25p×28)	2	
P	52321-55010	Shim (For radiator support)	2	40V. LV 45V. LV
Q	94512-01000	Washer, spring (10)	4	
R	94110-41000	Nut (hex. 10—1.25p)	6	
S	94612-11000	Washer, plate (10×1.6)	6	
T	94110-40800	Nut (hex. 8—1.25p)	12	
U	94511-00800	Washer, spring (8)	16	
V	91111-40816	Bolt (hex-hd. 8—1.25p×16)	16	
W	★51787-60010	Mat, step, LH	1	40V. LV
	51787-60011	Mat, step, LH	1	40V. LV
	★51786-60010	Mat, step, RH	1	40V. LV
	51786-60011	Mat, step, RH	1	40V. LV
X	★51794-60010	Retainer, step mat, LH	1	40V. LV
	51794-60011	Retainer, step mat, LH	1	40V. LV
	★51793-60010	Retainer, step mat, RH	1	40V. LV
	51793-60011	Retainer, step mat, RH	1	40V. LV
Y	52213-90310	Shim, step	2	40V. LV

♯ ★ Old Part

BODY

FIG.—61 RADIATOR SUPPORT, COWL & STEP (FJ40V, 40LV)



Toyota Land Cruiser

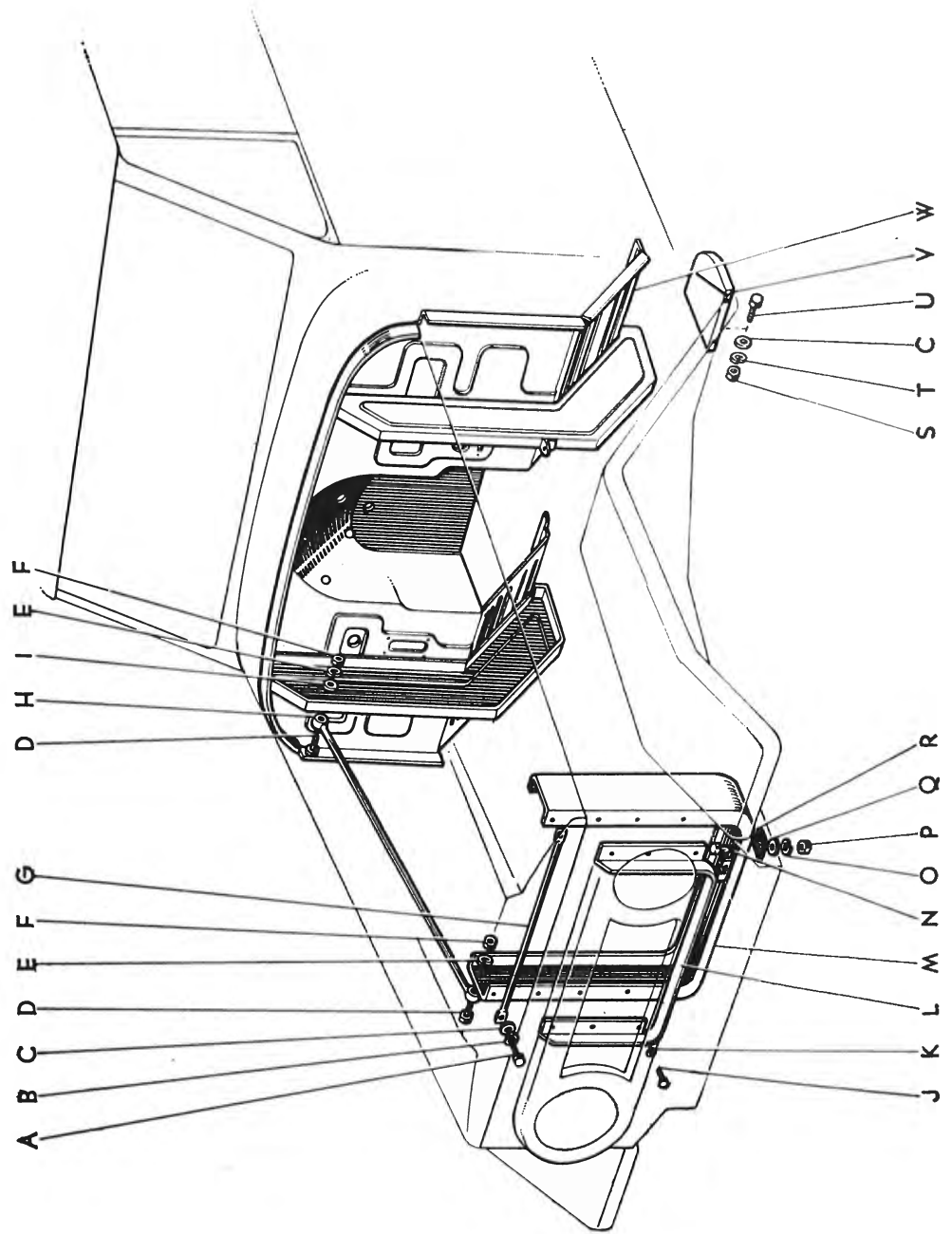
197

ILLUS- TRATION	PART NO.	NOMENCLATURE	P E R VEHICLE	MODEL
(FIG.61)				
Z	94511-01000	Washer, spring (10)	2	
AA	90112-10007	Bolt, round head square neck	2	40V. LV
AB	94110-15016	Nut (hex. 5—0.9p)	28	
	★51790-60010	Step assy, LH (includes illustrations—O, Y, Z, AC~AE of Fig.—61)	1	40V. LV
	51790-60011	Step assy, LH	1	40V. LV
	★51780-60010	Step assy, RH	1	40V. LV
	51780-60011	Step assy, RH	1	40V. LV
AC	★51708-60010	Step sub-assy, LH	1	40V. LV
	51708-60011	Step sub-assy, LH	1	40V. LV
	★51707-60010	Step sub-assy, RH	1	40V. LV
	51707-60011	Step sub-assy, RH	1	40V. LV
AD	93210-15016	Screw (rd-hd. 5—0.9p×16)	28	
AE	90101-10153	Bolt, hexagon	2	40V. LV
AF	52032-30010	Shim sub-assy, cowl body mounting	2	40V. LV

★ Old Part

BODY

FIG.—62 RADIATOR SUPPORT, COWL & STEP (FJ45V, 45LV)



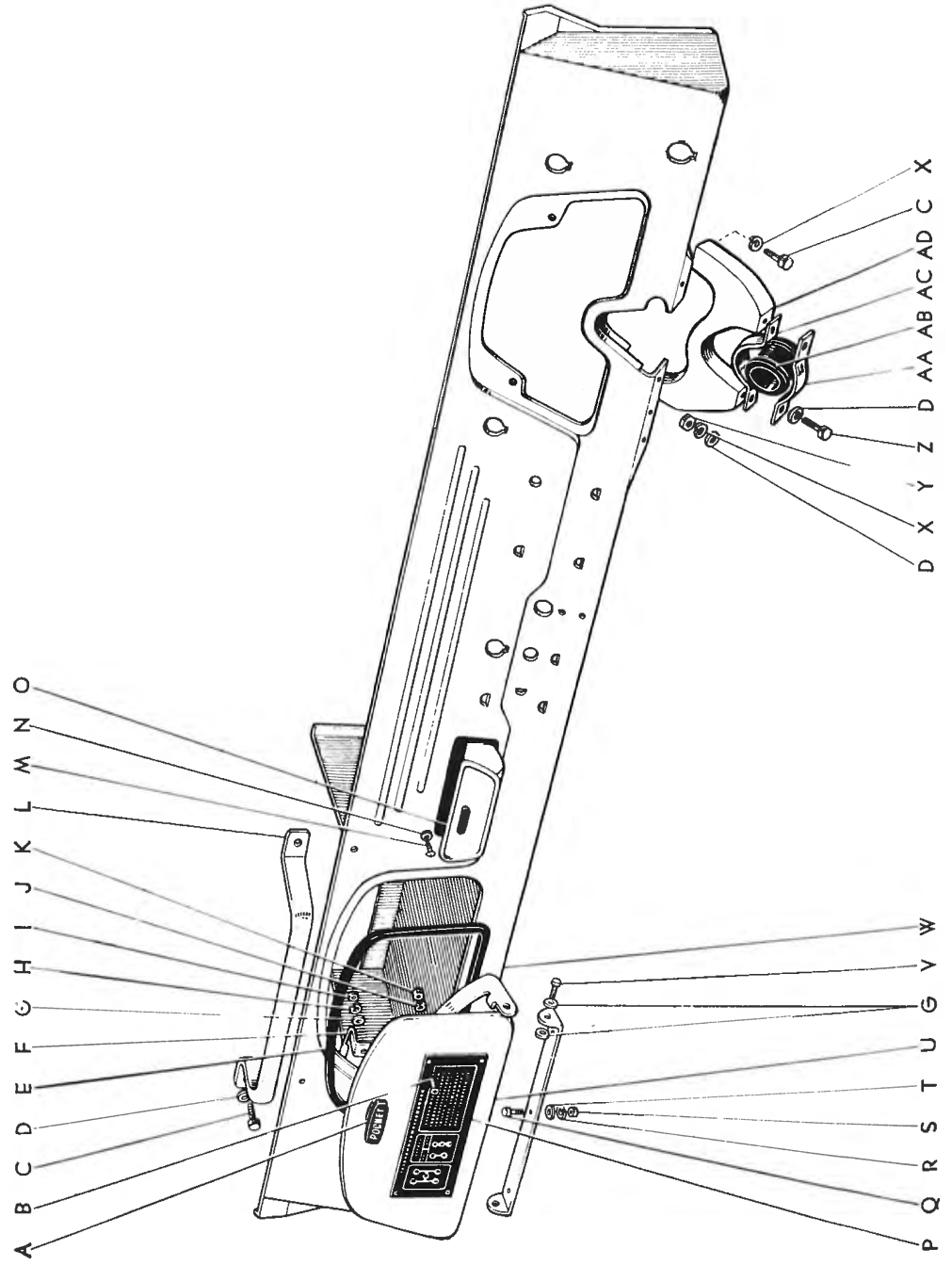
Toyota Land Cruiser

199

ILLUS- TRATION	PART NO.	NOMENCLATURE	P E R VEHICLE	MODEL
Radiator Support, Cowl & Step (FJ45V, 45LV)				
FIG. 62)				
A	91111-40820	Bolt (hex-hd. 8—1.25p×20)	2	
B	94512-00800	Washer, spring (8)	2	
C	94612-10800	Washer, plate (8×1.6)	10	
D	91111-40616	Bolt (hex-hd. 6—1.0p×16)	2	
E	94511-00600	Washer, spring (6)	2	
F	94110-40600	Nut (hex. 6—1.0p)	2	
G	53163-60010	Bar, radiator support	1	40V. LV. 45V. LV
H	53167-60010	Rod, radiator brace	1	40V. LV. 45V. LV
I	94613-10600	Washer, plate (8×1.6)	1	
J	93110-15010	Screw (rd-hd. 5—0.9p×10)	6	
K	94511-00500	Washer, spring (5)	6	
L	53164-60010	Plate, radiator shroud	1	40V. LV. 45V. LV
M	53108-60010	Support sub-assy, radiator	1	40V. LV. 45V. LV
N	91111-41028	Bolt (hex-hd. 10—1.25p×28)	2	
O	94512-01000	Washer, spring (10)	2	
P	94110-41000	Nut (hex. 10—1.25p)	2	
Q	94612-11000	Washer, plate (10×1.6)	2	
R	52321-55010	Shim (For radiator support)	2	
S	94110-40800	Nut (hex. 8—1.25p)	8	40V. LV. 45V. LV
T	94511-00800	Washer, spring (8)	8	
U	91111-40816	Bolt (hex-hd. 8—1.25p×16)	8	
V	53872-92000	Panel, step outer, LH	1	45V. LV
	53871-92000	Panel, step outer, RH	1	45V. LV
	53874-92000	Panel, step inner, LH	1	45V. LV
	53873-92000	Panel, step inner, RH	1	45V. LV
W	55101-92000	Panel sub-assy, dash (includes illustrations—A, P of Fig. —15)	1	45V
	55101-92100	Panel sub-assy, dash	1	LV
	55101-92170	Panel sub-assy, dash (For U.S.A.)	1	LV
	55101-92060	Panel sub-assy, dash OPT	1	45V. LV
	55101-92160	Panel sub-assy, dash OPT	1	LV

BODY

FIG.—63 INSTRUMENT PANEL & GLOVE COMPARTMENT



Toyota Land Cruiser

201

ILLUS-
TRATION PART NO.

NOMENCLATURE

P E R
VEHICLE MODEL

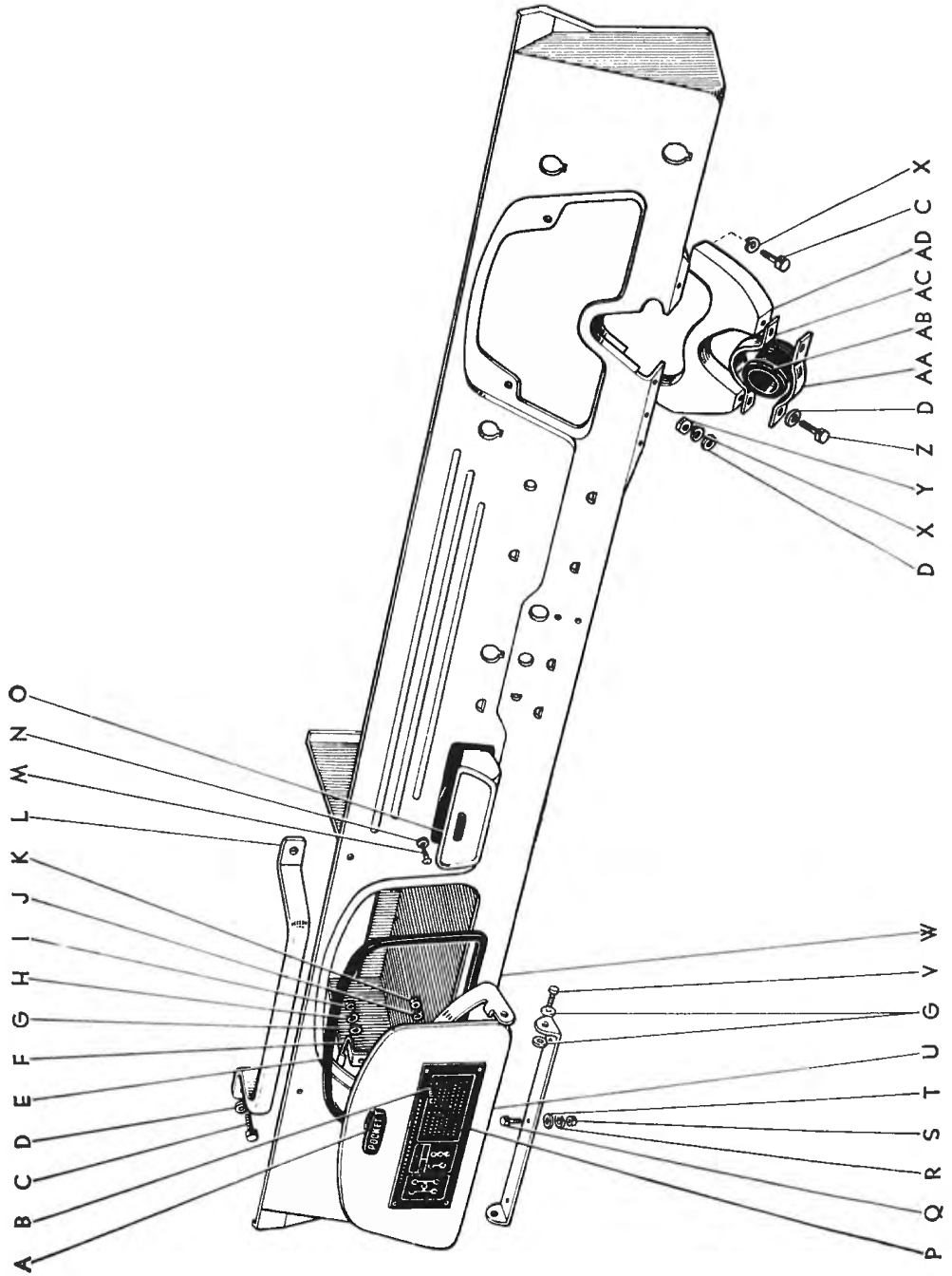
Instrument Panel & Glove Compartment

(FIG.63)

A	55521-60010	Knob, glove compartment	1	40V. LV. 45V. LV	
B	93210-13010	Screw (rd-hd. 3—0.6p×10)	4		
C	91111-40816	Bolt (hex-hd. 8—1.25p×16)	4		
D	94612-10800	Washer, plate (8×1.6)	6		
E	55549-60010	Packing, glove compartment door	1	40V. LV. 45V. LV	
F	55544-55010	Spring, instrument panel pocket cover lock	1	40V. LV. 45V. LV	
G	94612-10400	Washer, plate (4×0.6)	3		
H	94511-00400	Washer, spring (4)	1		
I	94110-40400	Nut (hex. 4—0.75p)	1		
J	94511-00300	Washer, spring (3)	1		
K	94110-40300	Nut (hex. 3—0.6p)	1		
L	55531-60010	Grip, instrument panel safety hand	1	40V. LV. 45V. LV	
M	93530-23512	Screw, tapping	2		
N	90207-05001	Washer, finish	2	40V. LV. 45V. LV	
O	74110-60010	Receptacle assy, instrument panel ash	1	40V. LV. 45V. LV	
P	74531-60030	Plate, instrument panel caution (Mark English)	1	40V. LV. 45V. LV	
	74531-60040	Plate, instrument panel caution (Mark Spanish)			
	74531-60050	Plate, instrument panel caution (Mark Portuguese)			
	74531-60060	Plate, instrument panel caution			
		(Mark English)	OPT	1	40V. LV. 45V. LV
74531-60070	Plate, instrument panel caution				
		(Mark Spanish)			
		(Mark Portuguese)			
Q	91111-40612	Bolt (hex-hd. 6—1.0p×12)	3		
R	94511-00600	Washer, spring (6)	3		
S	94110-40600	Nut (hex. 6—1.0p)	3		
T	94613-10600	Washer, plate (6×1.0)	3		
U	55501-60010	Door sub-assy, glove compartment	1	40V 45V	
		(includes illustrations—G, V of Fig.—63)			
	55501-60030	Door sub-assy, glove compartment	1	LV LV	
V	55531-35010*	Pin, glove door stopper	2	40V. LV. 45V. LV	

BODY

FIG.—63 INSTRUMENT PANEL & GLOVE COMPARTMENT



Toyota Land Cruiser

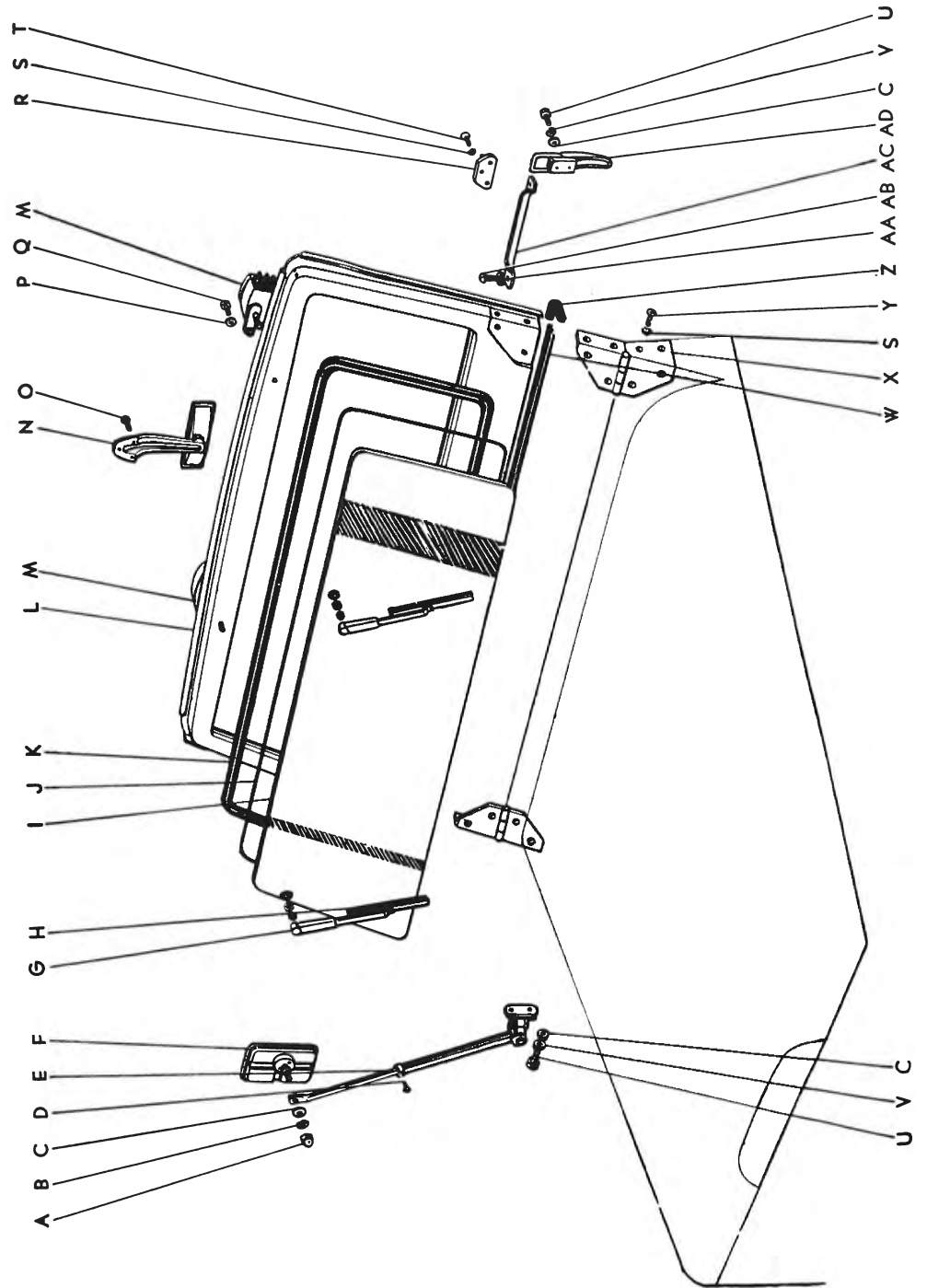
203

ILLUS- TRATION	PART NO.	NOMENCLATURE	P E R VEHICLE	MODEL
(FIG.63)				
W	55301-60010	Panel sub-assy, instrument	1	40V
	55301-60020	Panel sub-assy, instrument OPT	1	40V
	55301-60040	Panel sub-assy, instrument	1	LV
	55301-60050	Panel sub-assy, instrument OPT	1	LV
	*55301-60070	Panel sub-assy, instrument OPT (For heater)	1	LV
	55301-60090	Panel sub-assy, instrument OPT (For heater)	1	LV
	55301-60100	Panel sub-assy, instrument OPT (For heater)	1	LV
	*55301-92000	Panel sub-assy, instrument (up to Frame No. FJ45-24695)	1	45V
	55301-92001	Panel sub-assy, instrument	1	45V
	*55301-92060	Panel sub-assy, instrument OPT (up to Frame No. FJ45-24695)	1	45V
	55301-92061	Panel sub-assy, instrument OPT	1	45V
	*55301-92100	Panel sub-assy, instrument (up to Frame No. FJ45-24695)	1	LV
	55301-92101	Panel sub-assy, instrument	1	LV
	*55301-92160	Panel sub-assy, instrument OPT (up to Frame No. FJ45-24695)	1	LV
	55301-92161	Panel sub-assy, instrument OPT	1	LV
	*55301-92171	Panel sub-assy, instrument (For U.S.A.)	1	LV
	55301-92172	Panel sub-assy, instrument (For U.S.A.)	1	LV
X	94511-00800	Washer, spring (8)	4	
Y	94110-40800	Nut (hex. 8—1.25p)	2	
Z	91111-40820	Bolt (hex-hd. 8—1.25p×20)	2	
AA	55662-60010	Clamp, steering column, lower (FJ45LV=up to Frame No. FJ45-24695)	1	40V. LV. 45V. LV
	55662-92171	Clamp, steering column, lower (FJ45LV=from Frame No. FJ45-24696) (Originally in use for U.S.A. only)	1	LV
AB	90480-45005	Grommet	1	40V. LV. 45V. LV
AC	55661-60010	Clamp, steering column, upper (FJ45LV=up to Frame No. FJ45-24695)	1	40V. LV. 45V. LV
	55661-92171	Clamp, steering column, upper (FJ45LV=from Frame No. FJ45-24696) (Originally in use for U.S.A. only)	1	LV
AD	55672-60010	Stay, steering column	1	40V 45V
	55672-60020	Stay, steering column (FJ45LV=up to Frame No. FJ45-24695)	1	LV LV
	55672-92170	Stay, steering column (FJ45LV=from Frame No. FJ45-24696) (Originally in use for U.S.A. only)	1	LV

* Old Part

BODY

FIG.—64 FRONT WINDOW & WINDSHIELD WIPER (FJ40V)



Toyota Land Cruiser

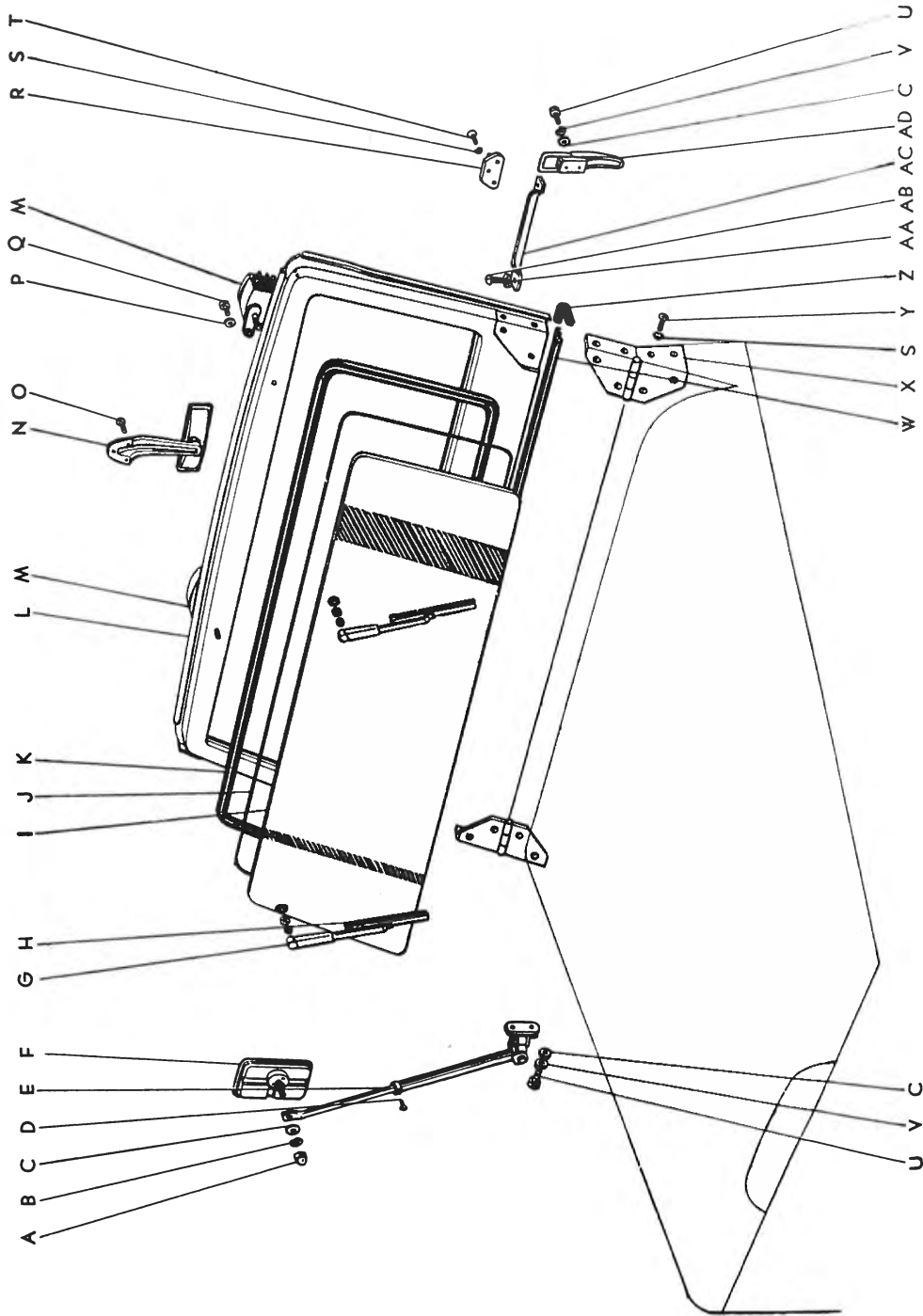
205

ILLUS- TRATION	PART NO.	NOMENCLATURE	P E R VEHICLE	MODEL
Front Window & Windshield Wiper (FJ40V)				
(FIG.64)				
A	94171-10800	Nut	1	
B	94512-00800	Washer, spring (8)	1	
C	94612-10800	Washer, plate (8×1.6)	7	
D	93180-16012	Screw (hex-hd. 6—1.0p×12)	1	
E	87902-60030	Arm sub-assy, outer rear view mirror (includes illustration—D of Fig.—64)	1	40V. LV
F	87901-60011	Mirror sub-assy, outer rear view (includes illustrations—A~C of Fig.—64)	1	40V. LV
G	85190-60010	Arm assy, windshield wiper	2	40V. LV
H	85220-55010	Blade assy, windshield wiper	2	40V. LV
I	*56111-60011	Glass, windshield	1	40V. LV
	56111-60012	Glass, windshield (from Frame No. FJ40 36364)	1	40V. LV
J	*56122-60010	Weatherstrip, windshield outer	1	40V. LV
	56122-60011	Weatherstrip, windshield outer (from Frame No. FJ40 36364)	1	40V. LV
K	*56121-60010	Weatherstrip, windshield	1	40V. LV
	56121-60011	Weatherstrip, windshield (from Frame No. FJ40 36364)	1	40V. LV
L	*56301-60020	Frame sub-assy, windshield	1	40V. LV
	56301-60011	Frame sub-assy, windshield (from Frame No. FJ40 36364)	1	40V. LV
M	85110-60010	Motor assy, windshield wiper	2	40V. LV
N	*87810-60011	Mirror assy, inner rear view	1	40V. LV
	87810-60020	Mirror assy, inner rear view (from Frame No. FJ40-36364)	1	40V. LV
O	93210-16010	Screw (rd-hd. 6—1.0p×10)	2	
P	94613-10600	Washer, plate (6×1.0)	2	
Q	93210-16016	Screw (rd-hd. 6—1.0p×16)	2	
R	*56456-60020	Hook, front window catch upper	2	40V. LV
	56456-60010	Hook, front window catch upper (from Frame No. FJ40-36364)	2	40V. LV

↳ * Old Part

BODY

FIG.—64 FRONT WINDOW & WINDSHIELD WIPER (FJ40V)



Toyota Land Cruiser

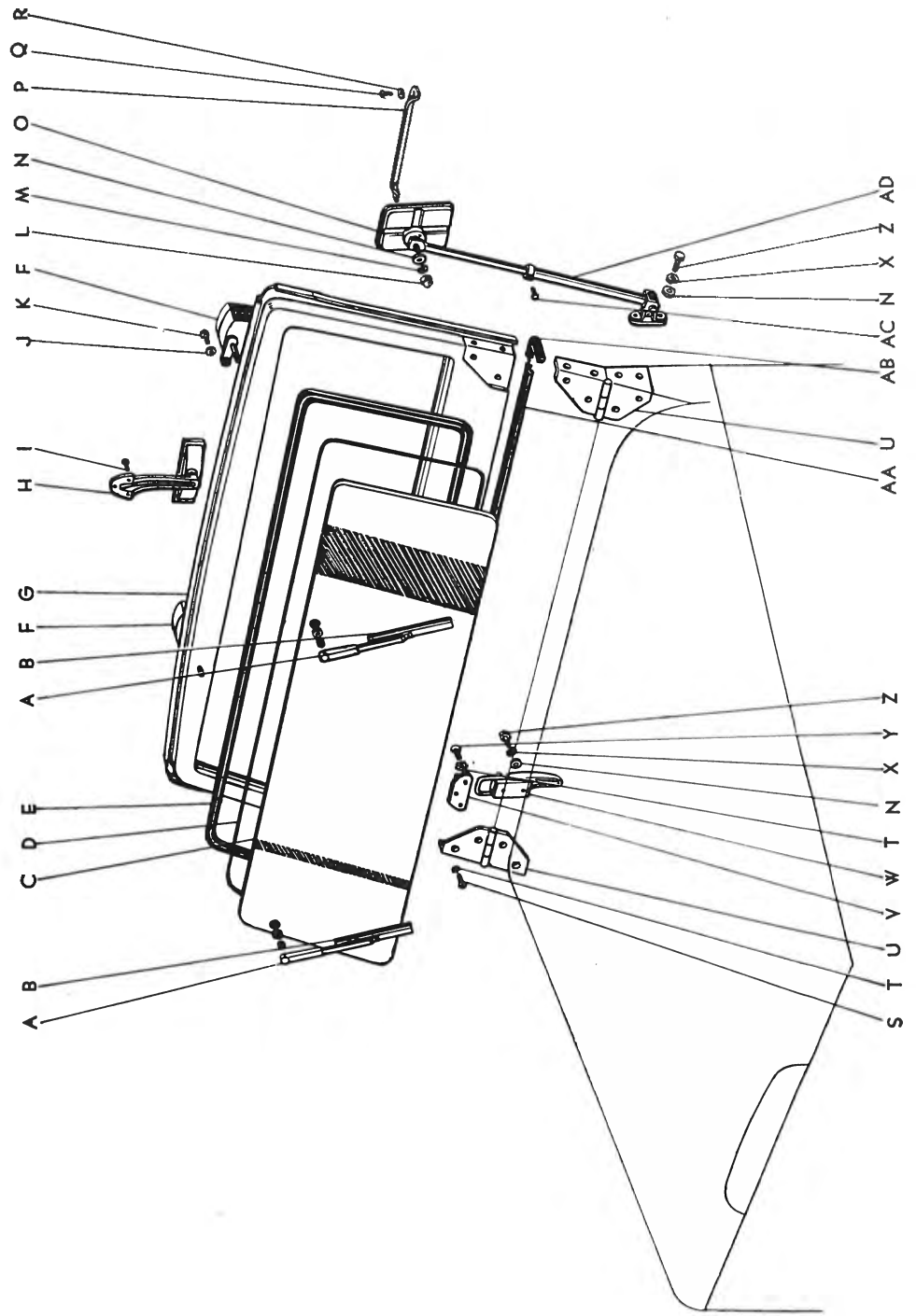
207

ILLUS- TRATION	PART NO.	NOMENCLATURE	P E R VEHICLE	MODEL
FIG. 64)				
S	94524-00800	Washer, toothed (8)	22	
T	93230-18016	Screw (oval-hd. 8—1.25p×16)	6	
U	91111-40816	Bolt (hex-hd. 8—1.25p×16)	6	
V	94511-00800	Washer, spring (8)	16	
W	★56211-60020	Spacer, windshield	1	40V. LV
	56211-60021	Spacer, windshield—(from Frame No. FJ40-36364)	1	40V. LV
X	56307-60010	Hinge sub-assy, windshield support, LH	1	40V. LV
	56306-60010	Hinge sub-assy, windshield support, RH	1	40V. LV
Y	93230-18020	Screw (oval-hd. 8—1.25p×20)	16	
Z	56214-90301	Weatherstrip, front shield	2	40V. LV
AA	94511-00400	Washer, spring (4)	6	
AB	93510-14010	Screw, tapping	6	
AC	55955-60011	Guide, defroster, upper—(from Frame No. FJ40-36364)	2	40V. LV
AD	★56450-60010	Catch assy, windshield	2	40V. LV
	56450-90327	Catch assy, windshield—(from Frame No. FJ40-36364)	2	40V. LV

★ Old Part

BODY

FIG.—65 FRONT WINDOW & WINDSHIELD WIPER (FJ40LV)



Toyota Land Cruiser

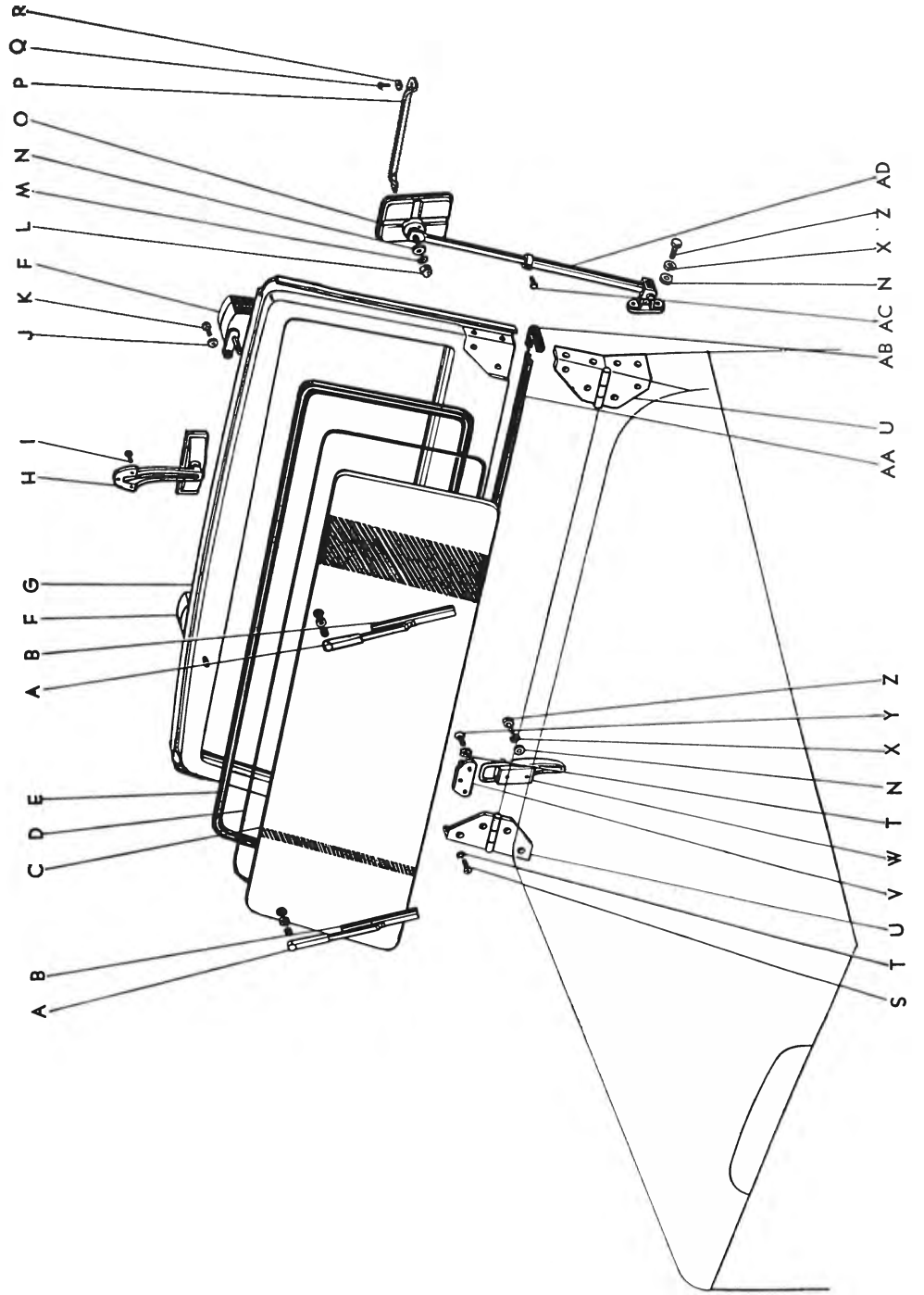
209

ILLUS- TRATION	PART NO.	NOMENCLATURE	P E R VEHICLE	MODEL
Front Window & Windshield Wiper (FJ40LV)				
(FIG.65)				
A	85190-60010	Arm assy, windshield wiper	2	40V. LV
B	85220-55010	Blade assy, windshield wiper	2	40V. LV
C	*56111-60011	Glass, windshield	1	40V. LV
	56111-60012	Glass, windshield (from Frame No. FJ40-36364)	1	40V. LV
D	*56122-60010	Weatherstrip, windshield outer	1	40V. LV
	56122-60011	Weatherstrip, windshield outer (from Frame No. FJ40-36364)	1	40V. LV
E	*56121-60010	Weatherstrip, windshield	1	40V. LV
	56121-60011	Weatherstrip, windshield-(from Frame No. FJ40-36364)	1	40V. LV
F	85110-60030	Motor assy, windshield wiper	2	LV
G	*56301-60020	Frame sub-assy, windshield	1	40V. LV
	56301-60011	Frame sub-assy, windshield (from Frame No. FJ40-36364)	1	40V. LV
	*56301-60050	Frame sub-assy, windshield OPT	1	LV
H	*87810-60011	Mirror assy, inner rear view	1	40V. LV
	87810-60020	Mirror assy, inner rear view (from Frame No. FJ40-36364)	1	40V. LV
I	93210-16010	Screw (rd-hd. 6-1.0p×10)	2	
J	94613-10600	Washer, plate (6×1.0)	2	
K	93210-16016	Screw (rd-hd. 6-1.0p×16)	2	
L	94171-10800	Nut (hex. 8-1.25p)	1	
M	94512-00800	Washer, spring (6)	1	
N	94612-10800	Washer, plate (8×1.6)	7	
	87910-60031	Mirror assy, outer rear view (includes illustrations—L~O, AC, AD of Fig.—65)	1	40V. LV
O	87901-60011	Mirror sub-assy, outer rear view (includes illustrations—L~N of Fig.—65)	1	40V. LV
P	*55955-60010	Guide, defroster OPT	2	LV
	55955-60011	Guide, defroster-(from Frame No. FJ40-36364)	2	40V. LV
Q	93510-14010	Screw, tapping	6	
R	94511-00400	Washer, spring (4)	6	

♠ Old Part

BODY

FIG.—65 FRONT WINDOW & WINDSHIELD WIPER (FJ40LV)



Toyota Land Cruiser

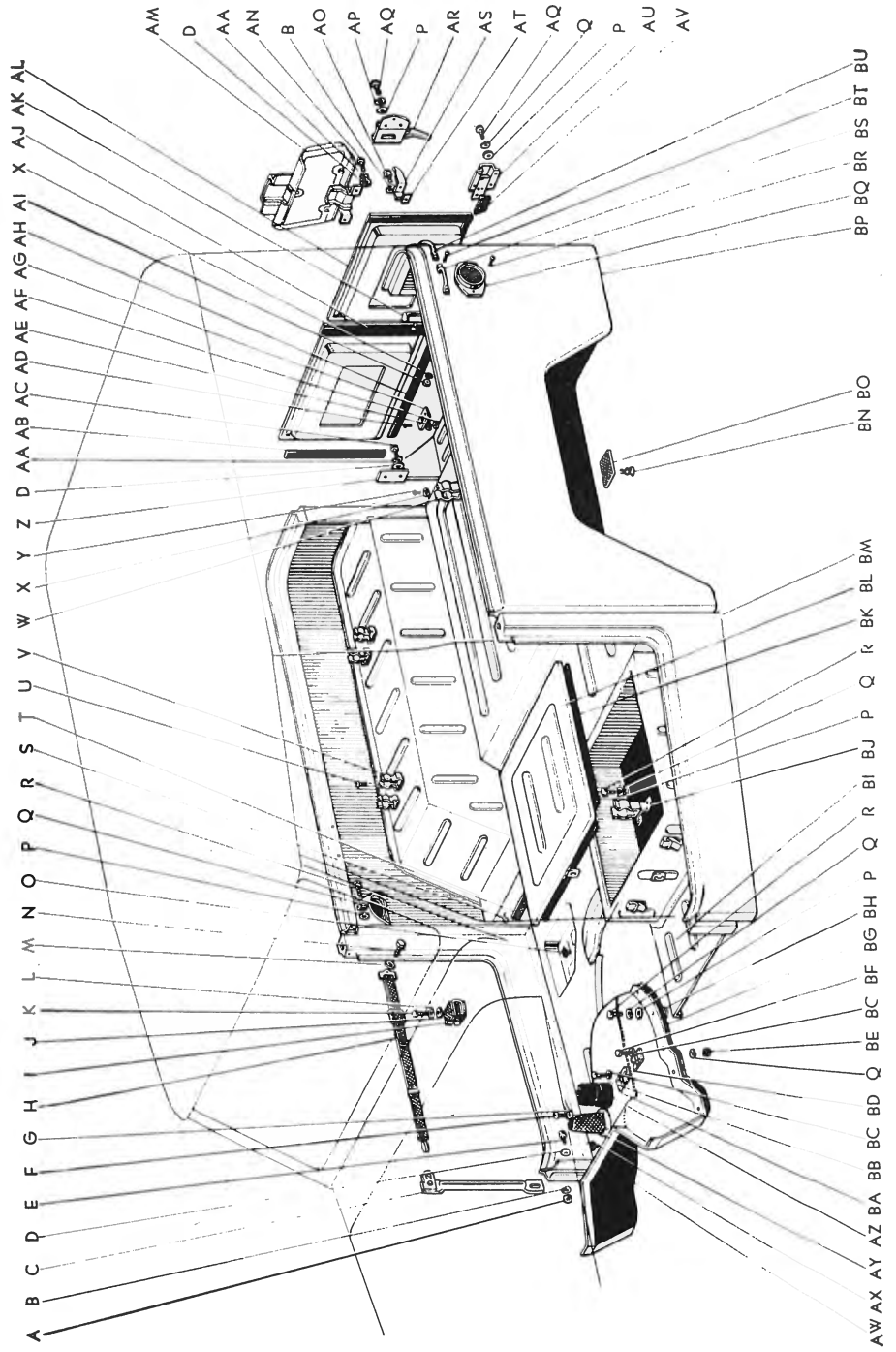
211

ILLUS- TRATION	PART NO.	NOMENCLATURE	P E R VEHICLE	MODEL
(FIG. 65)				
S	93230-18020	Screw (oval-hd. 8—1.25p×20)	16	
T	94524-00800	Washer, toothed (8)	22	
U	56306-60010	Hinge sub-assy, windshield support, RH	1	40V. LV
	56307-60010	Hinge sub-assy, windshield support, LH	1	40V. LV
V	★56456-60020	Hook, front window catch upper	2	40V. LV
	56456-60010	Hook, front window catch upper (from Frame No. FJ40-36364)	2	40V. LV
W	★56450-60010	Catch assy, windshield	1	40V. LV
	56450-90327	Catch assy, windshield—(from Frame No. FJ40-36364)	1	40V. LV
X	94511-00800	Washer, spring (8)	6	
Y	93230-18016	Screw (oval-hd. 8—1.25p×16)	6	
Z	91111-40816	Bolt (hex-hd. 8—1.25p×16)	6	
AA	★56211-60020	Spacer, windshield	1	40V. LV
	56211-60021	Spacer, windshield—(from Frame No. FJ40-36364)	1	40V. LV
	★56211-60030	Spacer, windshield OPT	1	LV
AB	56214-90301	Weatherstrip, front shield	2	40V. LV
AC	93180-16012	Screw (hex-hd. 6—1.0p×12)	1	
AD	87902-60030	Arm sub-assy, outer rear view mirror (includes illustration—AC of Fig.—65)	1	LV

★ Old Part

BODY

FIG.—66 REAR BODY LOWER (FJ40V, 40LV)



Toyota Land Cruiser

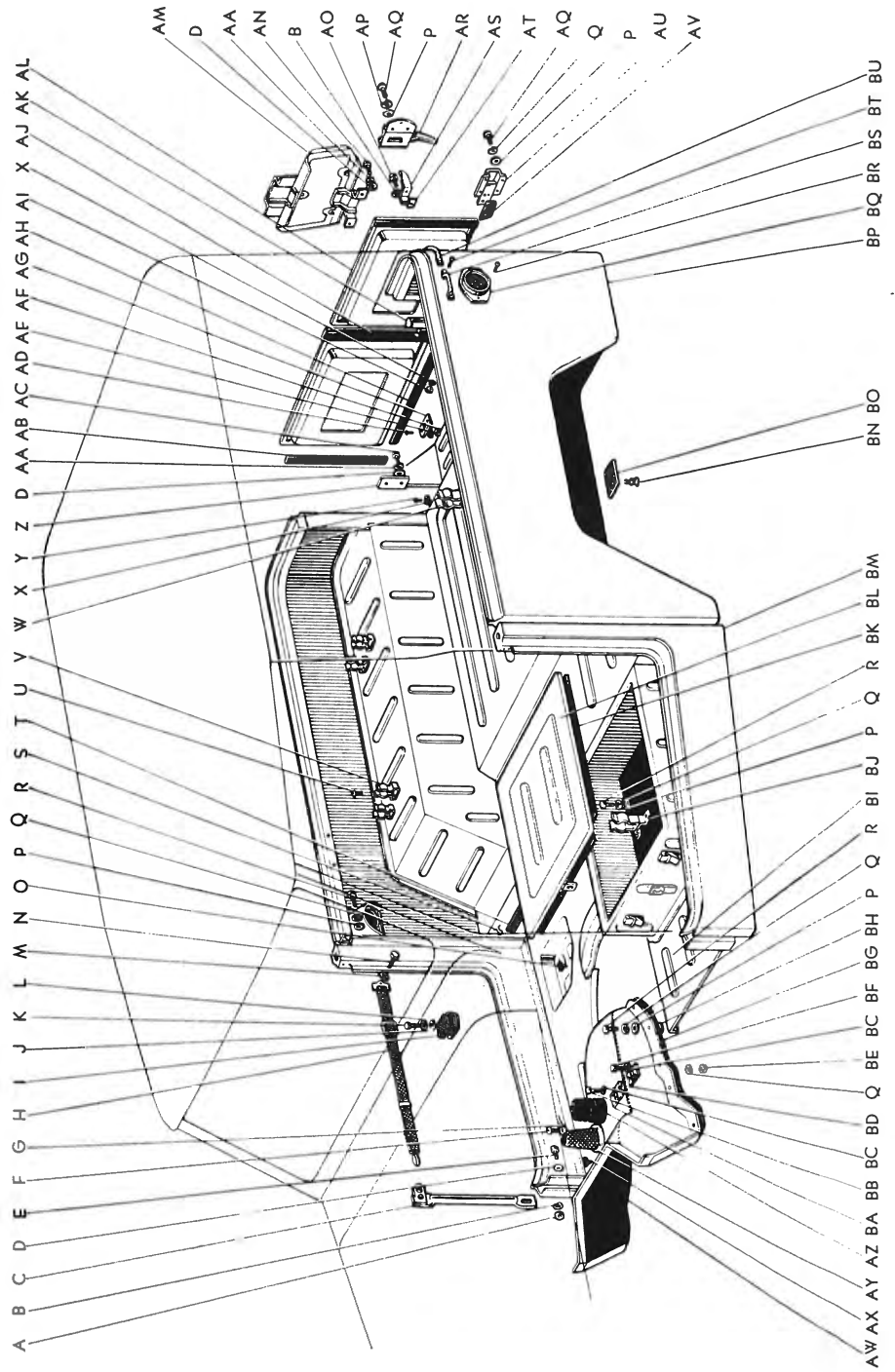
213

ILLUS- TRATION	PART NO.	NOMENCLATURE	P E R VEHICLE	MODEL
Rear Body Lower (FJ40V, 40LV)				
(FIG.66)				
	★58003 60020	Body sub-assy, rear, front (includes illustrations—BI, BM of Fig.—66)	1	40V. LV
	58003-60010	Body sub-assy, rear, front (from Frame No. FJ40-36364)	1	40V. LV
	★58004 60030	Body sub-assy, rear, rear (include illustration—BP of Fig.—66)	1	40V
	58004-60031	Body sub-assy, rear, rear (from Frame No. FJ40-36364)	1	40V
	★58004 60080	Body sub-assy, rear, rear	1	LV
	58004-60081	Body sub-assy, rear, rear (from Frame No. FJ40-36364)	1	LV
	★58004 90330	Body sub-assy, rear, rear (For U.S.A.)	1	LV
	58004-60260	Body sub-assy, rear, rear (For U.S.A.)	1	LV
A	94110-40800	Nut (hex. 8—1.25p)	4	
B	94512-00800	Washer, spring (8)	6	
C	61018-60010	Bracket sub-assy, safety strap, RH OPT	1	40V. LV
	61019-60010	Bracket sub-assy, safety strap, LH OPT	1	40V. LV
	91111-40822	Bolt (hex-hd. 8—1.25p×22)	4	
	94612-10800	Washer, plate (8×1.6)	4	
	94511-00800	Washer, spring (8)	4	
	94110-40800	Nut (hex. 8—1.25p)	4	
D	94612-10800	Washer, plate (8×1.6)	10	
E	91111-40816	Bolt (hex-hd. 8—1.25p×16)	4	
F	93210-15012	Screw (rd-hd. 5—0.9p×12)	3	
G	94612-10500	Washer, plate (5×1.0)	3	
H	61190-60011	Strap assy, safety OPT	2	40V. LV
I	52033-30010	Plate sub-assy, body mounting shim	10	40V. LV
J	94612-11000	Washer, plate (10×1.6)	10	
K	90101-10152	Bolt, hexagon	10	40V. LV
L	94512-01000	Washer, spring (10)	10	
M	90201-08206	Washer, plate OPT	2	40V. LV
N	61191-60010	Bolt, safety strap OPT	2	40V. LV
O	57455-59010	Gum, bushing (For front floor panel hole)	1	40V. LV
P	94613-10600	Washer, plate (6×1.0)	58	
Q	94511-00600	Washer, spring (6)	57	

↳ ★ Old Part

BODY

FIG.—66 REAR BODY LOWER (FJ40V, 40LV)



Toyota Land Cruiser

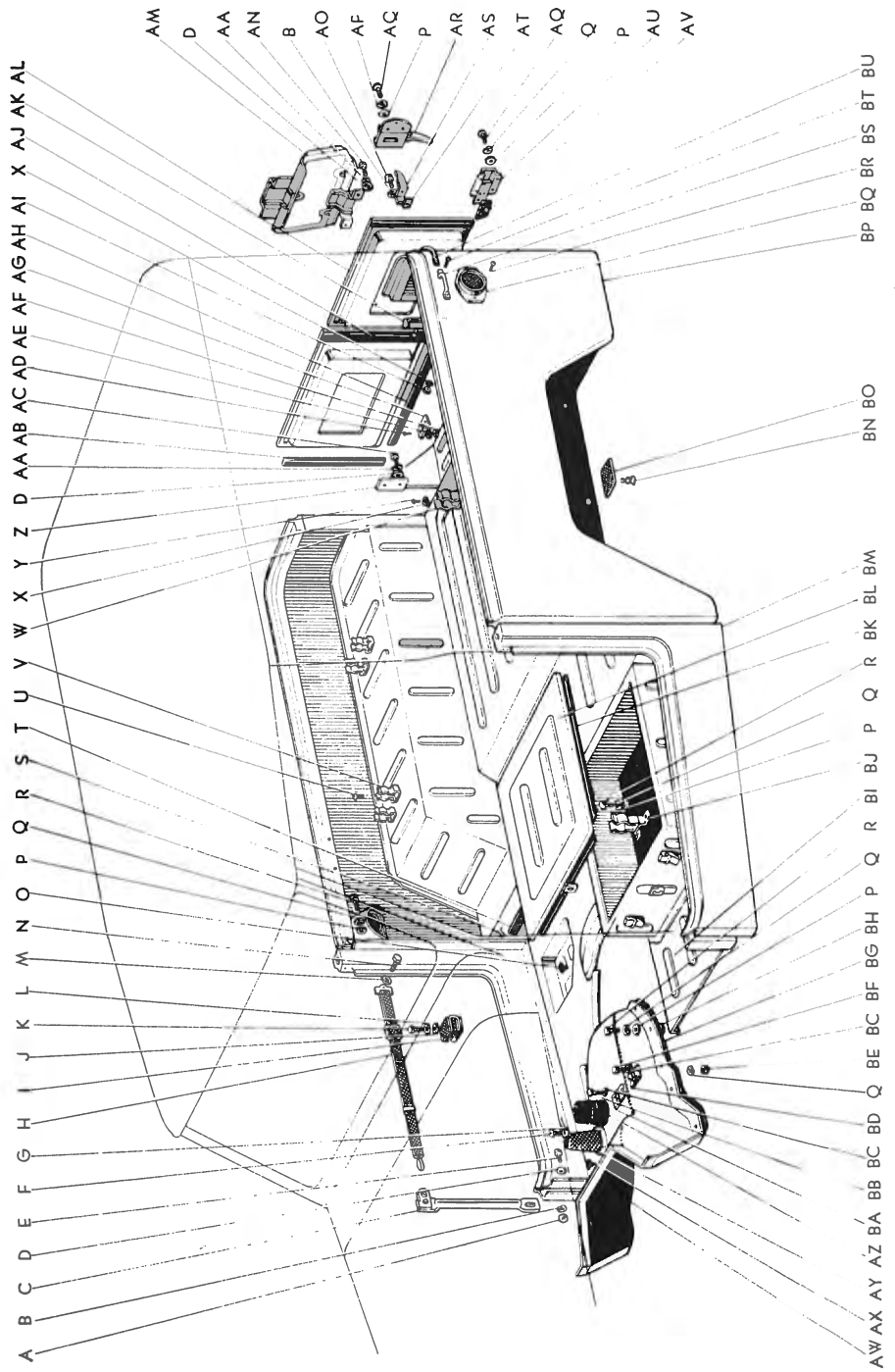
215

ILLUSTRATION	PART NO.	NOMENCLATURE	PER VEHICLE	MODEL
FIG.66)				
R	91111-40616	Bolt (hex-hd. 6—1.0p×16)	27	
S	90467-06004	Clip (For fuel tank spacer pad)	4	40V, LV
T	58317-60010	Pad, fuel tank spacer	2	40V, LV
U	93210-13010	Screw (rd-hd. 3—0.6p×10)	8	
	94511-00300	Washer, spring (3)	8	
	94110-40300	Nut (hex. 3—0.6p)	8	
V	58363-60010	Clamp, jack handle	6	40V, LV
W	74741-95110	Spring, starting handle support OPT	3	LV
X	94511-00400	Washer, spring (4)	10	
Y	93210-14010	Screw (rd-hd. 4—0.75p×10)	6	
Z	62641-60010	Step, rear	1	40V, LV
	62641-60020	Step, rear OPT (For trailer)	1	40V, LV
AA	94511-00800	Washer, spring (8)	6	
AB	64963-60010	Cushion, rear swing gate, side	2	40V, LV
AC	91111-40820	Bolt (hex-hd. 8—1.25p×20)	4	
AD	93230-15016	Screw (oval-hd. 5—0.9p×16)	4	
AE	94511-00500	Washer, spring (5)	4	
AF	94110-40500	Nut (hex. 5—0.9p)	4	
AG	68955-60010	Stopper, rear swing gate open, female	2	40V, LV
AH	64964-60010	Cushion, rear swing gate, lower RH	1	40V, LV
	64965-60010	Cushion, rear swing gate, lower LH	1	40V, LV
AI	94110-40400	Nut (hex. 4—0.75p)	6	
AJ	64962-60010	Cushion, rear swing gate, center	1	40V, LV
AK	68950-60010	Stopper assy, rear swing gate open	1	40V, LV
AL	*64906-60010	Gate sub-assy, rear swing, LH (includes illustration—AK of Fig.—66)	1	40V
	64906-60030	Gate sub-assy, rear swing, LH (from Frame No. FJ40-36364)	1	40V
	*64906-60050	Gate sub-assy, rear swing, LH	1	LV
	64906-60040	Gate sub-assy, rear swing, LH (from Frame No. FJ40-36364)	1	LV
	*64905-60010	Gate sub-assy, rear swing, RH	1	40V
	64905-60020	Gate sub-assy, rear swing, RH (from Frame No. FJ40-36364)	1	40V
	*64905-60040	Gate sub-assy, rear swing, RH (includes illustration—AK of Fig.—66)	1	LV
	64905-60030	Gate sub-assy, rear swing, RH (from Frame No. FJ40-36364)	1	LV

↓ * Old Part

BODY

FIG.—66 REAR BODY LOWER (F140V, 40LV)



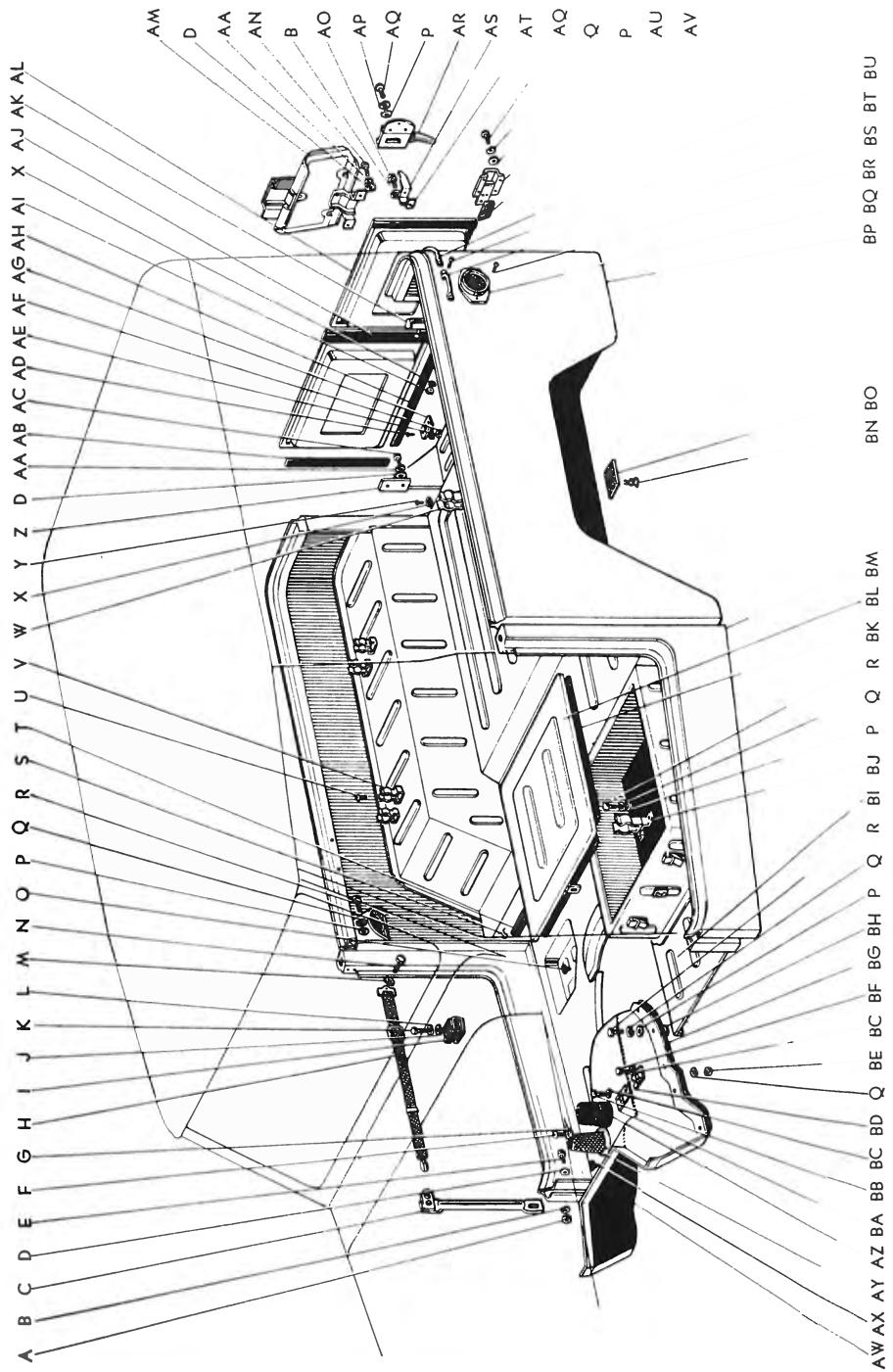
Toyota Land Cruiser

217

ILLUS- TRATION	PART NO.	NOMENCLATURE	P E R VEHICLE	MODEL
FIG.66)				
AM	75102-60020	Bracket sub-assy, rear license plate	1	40V. LV
AN	93210-18014	Screw (rd-hd. 8—1.25p×14)	2	
AO	93210-18020	Screw (rd-hd. 8—1.25p×20)	2	
AP	94512-00600	Washer, spring (6)	3	
AQ	93210-16016	Screw (rd-hd. 6—1.0p×16)	31	
AR	69360-60010	Lock assy, rear drop gate	1	40V
	69370-60010	Lock assy, rear drop gate	1	LV
AS	69363-60010	Latch, rear swing gate lock	1	40V
	69363-60020	Latch, rear swing gate lock	1	LV
AT	64925-60020	Spacer, rear swing gate lock latch	1	40V. LV
AU	68906-60010	Hinge sub-assy, rear swing gate, LH	1	40V. LV
	68096-60010	Hinge sub-assy, rear swing gate lower, LH	1	40V. LV
	68905-60020	Hinge sub-assy, rear swing gate, RH	1	40V. LV
	68095-60010	Hinge sub-assy, rear swing gate lower, RH	1	40V. LV
AV	64961-60010	Spacer, rear swing gate hinge female	8	40V. LV
AW	58206-60070	Cover sub-assy, transmission	1	40V. LV
	58206-60120	Cover sub-assy, transmission OPT (For change lever & transfer control lever,	1	40V. LV. 45V. LV
	58206-60110	Cover sub-assy, transmission OPT (For change lever transfer control lever & power take-off control lever A)	1	40V. LV
	58206-60100	Cover sub-assy, transmission OPT (For change lever, transfer control lever & power take-off control lever A, B)	1	40V. LV
	58206-60080	Cover sub-assy, transmission OPT (For power take-off control lever A, B)	1	40V. LV
	58206-60090	Cover sub-assy, transmission OPT (For power take-off control lever A)	1	40V. LV. 45V. LV
AX	90950-01019	Plug, hole	4	40V. LV
AY	58280-60020	Dust-proof assy, shifting lever hole OPT	1	40V. LV
AZ	58273-60010	Cover, shifting lever OPT	1	40V. LV
BA	58208-60011	Cover sub-assy, power take-off control lever OPT	1	40V. LV
BB	91111-40614	Bolt (hex-hd. 6—1.0p×14)	2	
BC	94612-10600	Washer, plate (6×1.0)	4	
BD	58209-60010	Cover sub-assy, power take-off control lever, B OPT	1	40V. LV
BE	94110-40600	Nut (hex. 6—1.0p)	2	
BF	91111-40610	Bolt (hex-hd. 6—1.0p×10)	2	
BG	58263-60010	Packing, transmission cover, A	1	40V. LV
	58264-60010	Packing, transmission cover, B	1	40V. LV
	58265-60020	Packing, transmission cover, C	1	40V. LV

BODY

FIG.—66 REAR BODY LOWER (FJ40V, 40LV)



Toyota Land Cruiser

219

ILLUS- TRATION	PART NO.	NOMENCLATURE	P E R VEHICLE	MODEL
FIG.65)				
	58279-60010	Plate, transmission set	16	40V. LV
	58202-60010*	Floor sub-assy, front, LH	1	40V. LV
	58201-60010*	Floor sub-assy, front, RH	1	40V. LV
BJ	58031-60010	Bracket sub-assy, jack, upper	1	40V. LV
BK	75234-60010	Cushion, tool box, B	2	40V. LV
	75233-60010	Cushion, tool box, A	2	40V. LV
BL	75202-60030	Cover sub-assy, tool box	1	40V. LV
BM	61320-60010	Panel assy, rear body front side, LH	1	40V. LV
	61310-60010	Panel assy, rear body front side, RH	1	40V. LV
BN	90467-11003	Clip	4	40V. LV
BO	52241-60010	Shim, floor rear stiffener	2	40V. LV
BP	*61602 60020	Panel sub-assy, rear body rear side, LH	1	40V. LV
	61602-60021	Panel sub-assy, rear body rear side, LH (from Frame No. FJ40-36364)	1	40V
	*61602 60050	Panel sub-assy, rear body rear side, LH	1	LV
	61602-60051	Panel sub-assy, rear body rear side, LH (from Frame No. FJ40-36364)	1	LV
	*61602 90330	Panel sub-assy, rear body rear side, LH (For U.S.A.)	1	LV
	61602-60060	Panel sub-assy, rear body rear side, LH (For U.S.A.)-(from Frame No. FJ40-36364)	1	LV
	*61601-60020	Panel sub-assy, rear body rear side, RH	1	40V
	61601-60021	Panel sub-assy, rear body rear side, RH (from Frame No. FJ40-36364)	1	40V
	*61601-60050	Panel sub-assy, rear body rear side, RH	1	LV
	61601-60051	Panel sub-assy, rear body rear side, RH (from Frame No. FJ40-36364)	1	LV
	*61601-90330	Panel sub-assy, rear body rear side, RH (For U.S.A.)	1	LV
	61601-60060	Panel sub-assy, rear body rear side, RH (For U.S.A.)-(from Frame No. FJ40-36364)	1	LV
BQ	*81910-60010	Reflector assy, reflex (Excludes U.S.A.)	3	40V. LV
	81910-60020	Reflector assy, reflex (Excludes U.S.A.)	3	40V. LV
BR	93210-16010	Screw (rd-hd. 6--1.0pX10)	3	
BS	64921-60010	Bracket, band (Excludes U.S.A.)	4	40V. LV
T	93210-14012	Screw (rd-hd. 4--0.75pX12)	12	
	94511-00400	Washer, spring (4)	12	
	94110-40400	Nut (hex. 4--0.75p)	12	
U	64921-90310	Bracket, band (Excludes U.S.A.)	2	40V. LV

* Old Part

BODY

FIG.—67 REAR BODY UPPER (FJ40V 401V)—Old

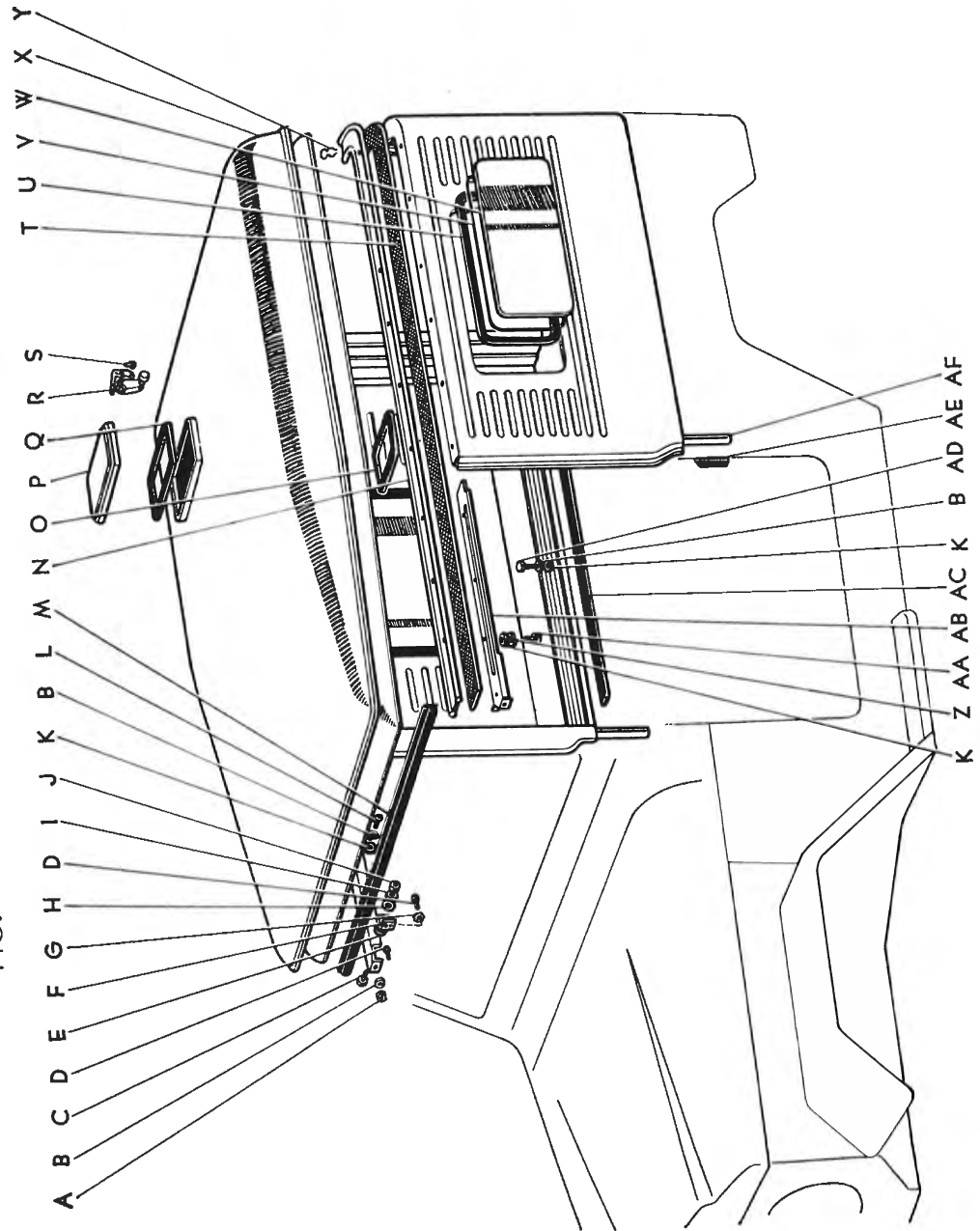
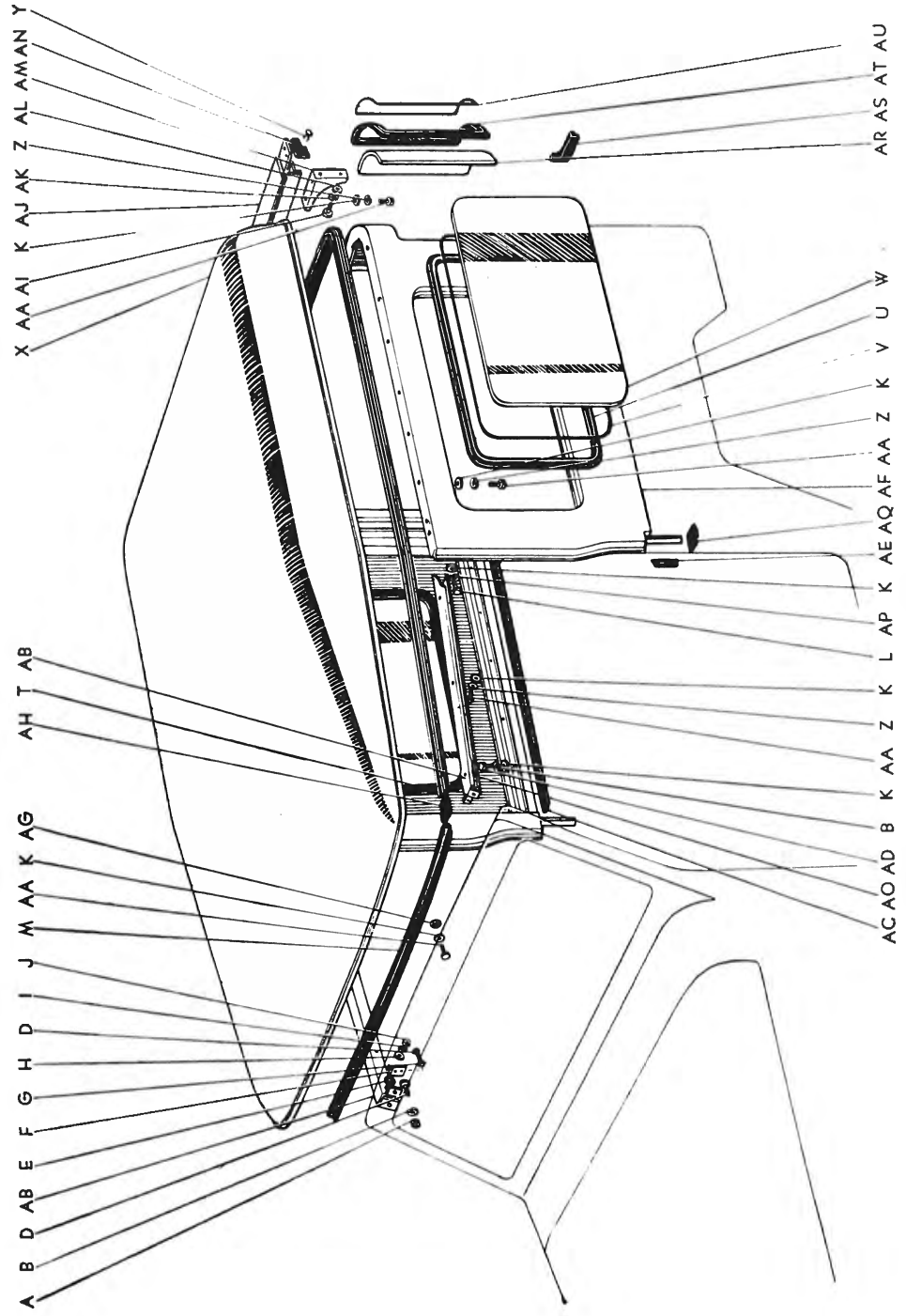


FIG.—67(a) REAR BODY UPPER (FJ40V, 40LV)



Toyota Land Cruiser

221

ILLUS-
TRATION PART NO.

NOMENCLATURE

P E R
VEHICLE

MODEL

Rear Body Upper (FJ40V, 40LV)

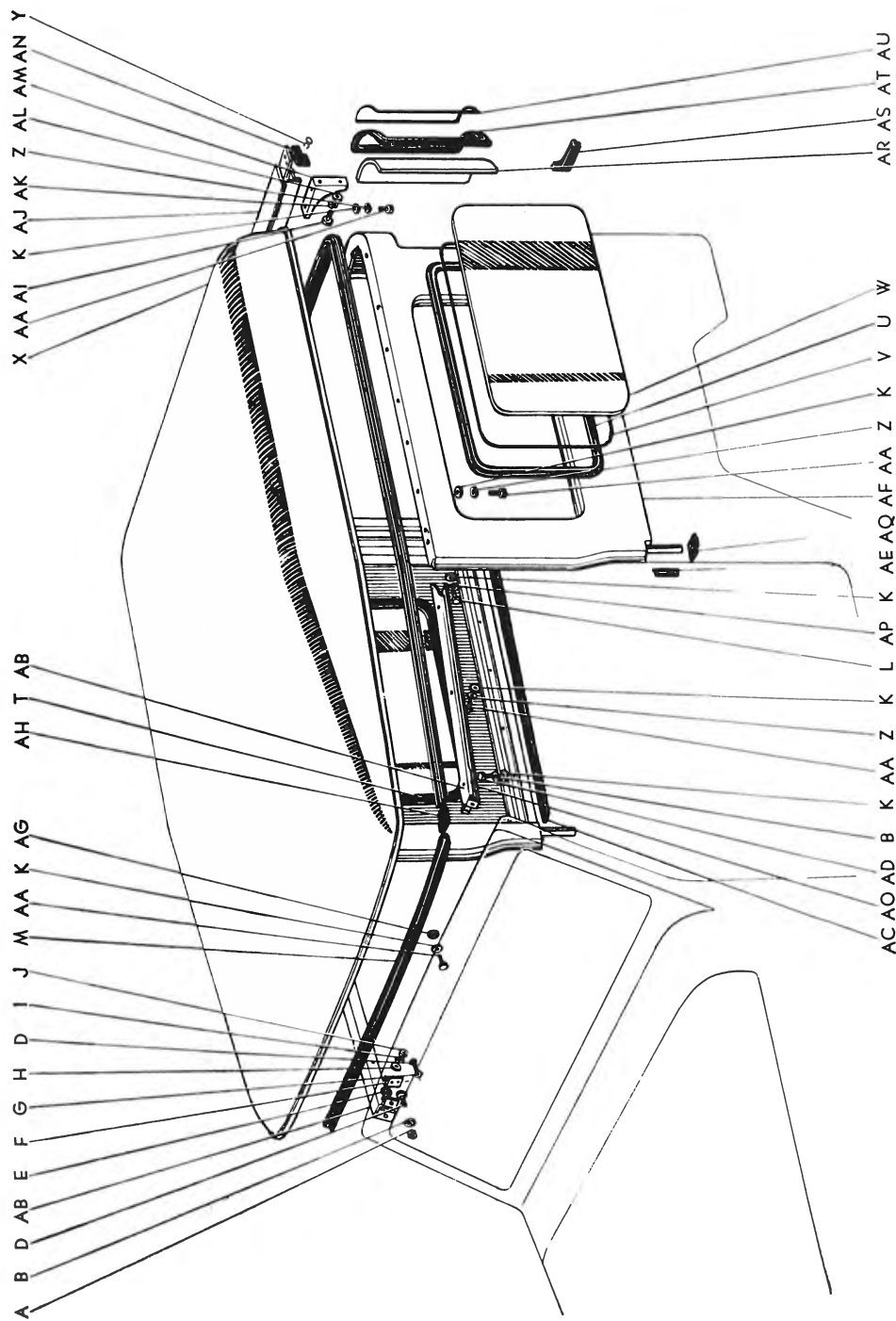
(FIG.67)

A	94171-40600	Nut (hex. 6—1.0p)	2	
B	94511-00600	Washer, spring (6)	16	
C	★93230-18020	Screw (oval-hd. 8—1.25p×20)	2	
D	93230-16016	Screw (oval-hd. 6—1.0p×16)	6	
E	90560-09025	Spacer	2	40V. LV
F	65815-60020	Bracket, front side cover tarpaulin bow, RH	1	40V. LV
	65816-60020	Bracket, front side cover tarpaulin bow, LH	1	40V. LV
G	94524-00600	Washer, toothed (6)	4	
H	94612-10800	Washer, plate (8×1.6)	2	
I	94511-00800	Washer, spring (8)	2	
J	94110-40800	Nut (hex. 8—1.25p)	2	
K	94613-10600	Washer, plate (6×1.0)	55	
L	93210-16010	Screw (rd-hd. 6—1.0p×10)	2	
M	★63161-60010	Weatherstrip, roof	1	40V. LV
	63161-60011	Weatherstrip, roof—(from Frame No. FJ40-36364)	1	40V. LV
N	★63182-60010	Packing, roof shield, A	1	40V. LV
O	★63175-60010	Garnish, roof ventilator opening flange (Excludes U.S.A.)	1	40V. LV
P	★63107-60010	Cover sub-assy, roof ventilator (Excludes U.S.A.)	1	40V. LV
Q	★63159-60010	Packing, roof ventilator (Excludes U.S.A.)	1	40V. LV
R	★67570-60010	Stopper assy, front ventilating window open, LH (Excludes U.S.A.)	1	40V. LV
S	★95112-00305	Rivet (Excludes U.S.A.)	3	
T	★63183-60010	Packing, roof shield, B	2	40V. LV
	63168-60010	Packing, roof drip moulding (from Frame No. FJ40-36364)	2	40V. LV
U	★62741-60010	Weatherstrip, side window, outer	2	40V. LV
	62741-60020	Weatherstrip, drip moulding outer (from Frame No. FJ40-36364)	2	40V. LV
V	★62742-60010	Weatherstrip, side window, inner	2	40V. LV
	62743-60020	Weatherstrip, side window, inner (from Frame No. FJ40-36364)	2	40V. LV
W	★62711-60011	Glass, side window	2	40V. LV
	62711-60012	Glass, side window—(from Frame No. FJ40-36364)	2	40V. LV

↙ ★ Old Part

BODY

FIG.—67(a) REAR BODY UPPER (FJ40V, 40LV)



Toyota Land Cruiser

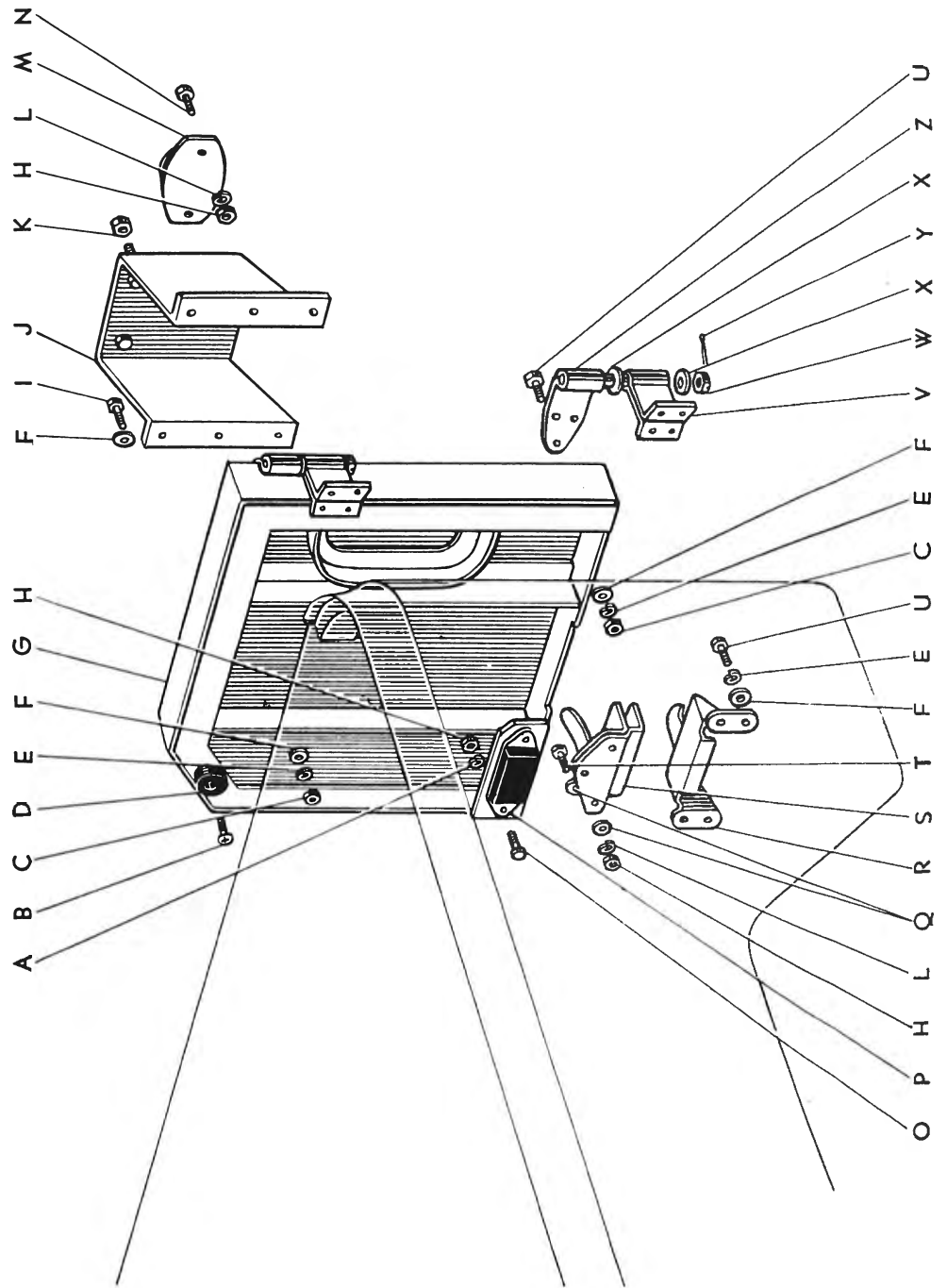
223

ILLUS- TRATION	PART NO.	NOMENCLATURE	P E R VEHICLE	MODEL
(FIG.67)				
X	*63100-60010	Panel assy, roof (includes illustrations—O~S of Fig.—67 and illustrations—H, K~O of Fig.—69)	1	40V. LV
	63100-60011	Panel assy, roof—(from Frame No. FJ40-36364)	1	40V. LV
	*63100-90330	Panel assy, roof (For U.S.A.)	1	LV
Y	90053-60501	Clip, spring	6 (old=4)	40V. LV
Z	94511-00600	Washer, spring (6)	33	
AA	91111-40620	Bolt (hex-hd. 6—1.0p×20)	39	
AB	*65801-60020	Bow sub-assy, front side tarpaulin, RH	1	40V. LV
	65801-60021	Bow sub-assy, front side tarpaulin, RH (from Frame No. FJ40-36364)	1	40V. LV
	*65802-60020	Bow sub-assy, front side tarpaulin, LH	1	40V. LV
	65802-60021	Bow sub-assy, front side tarpaulin, LH (from Frame No. FJ40-36364)	1	40V. LV
AC	*61534-60010	Packing, rear upper side panel set	2	40V. LV
	61534-60011	Packing, rear upper side panel set (from Frame No. FJ40-36364)	2	40V. LV
AD	91111-40618	Bolt (hex-hd. 6—1.0p×16)	14	
AE	*62743-60010	Weatherstrip, rear upper side panel	2	40V. LV
	62749-60010	Weatherstrip, upper side set flange (from Frame No. FJ40-36364)	2	40V. LV
AF	*61502-60010	Panel assy, rear upper side, LH	1	40V. LV
	61502-60011	Panel assy, rear upper side, LH (from Frame No. FJ40-36364)	1	40V. LV
	*61501-60010	Panel assy, rear upper side, RH	1	40V. LV
	61501-60011	Panel assy, rear upper side, RH (from Frame No. FJ40-36364)	1	40V. LV
AG	90202-06040	Washer, plate—(from Frame No. FJ40-36364)	4	40V. LV
AH	64836-90332	Weatherstrip, roof, front—(from Frame No. FJ40-36364)	2	40V. LV
AI	91111-40820	Bolt (hex-hd. 8—1.25p×20)	8	
AJ	63106-60010	Strength sub-assy, roof drip moulding (from Frame No. FJ40-36364)	1	40V. LV
AK	94512-00800	Washer, spring (8)	8	
AL	94613-10800	Washer, plate (8×1.6)	8	

↓ * Old Part

BODY

FIG.—68 SPARE WHEEL CARRIER (FJ40V, 40LV)
(from Frame No. FJ40-36364)



Toyota Land Cruiser

227

ILLUS-
TRATION PART NO.

NOMENCLATURE

P E R
VEHICLE MODEL

Spare Wheel Carrier (FJ40V, 40LV)

(from Frame No. FJ40 36364)

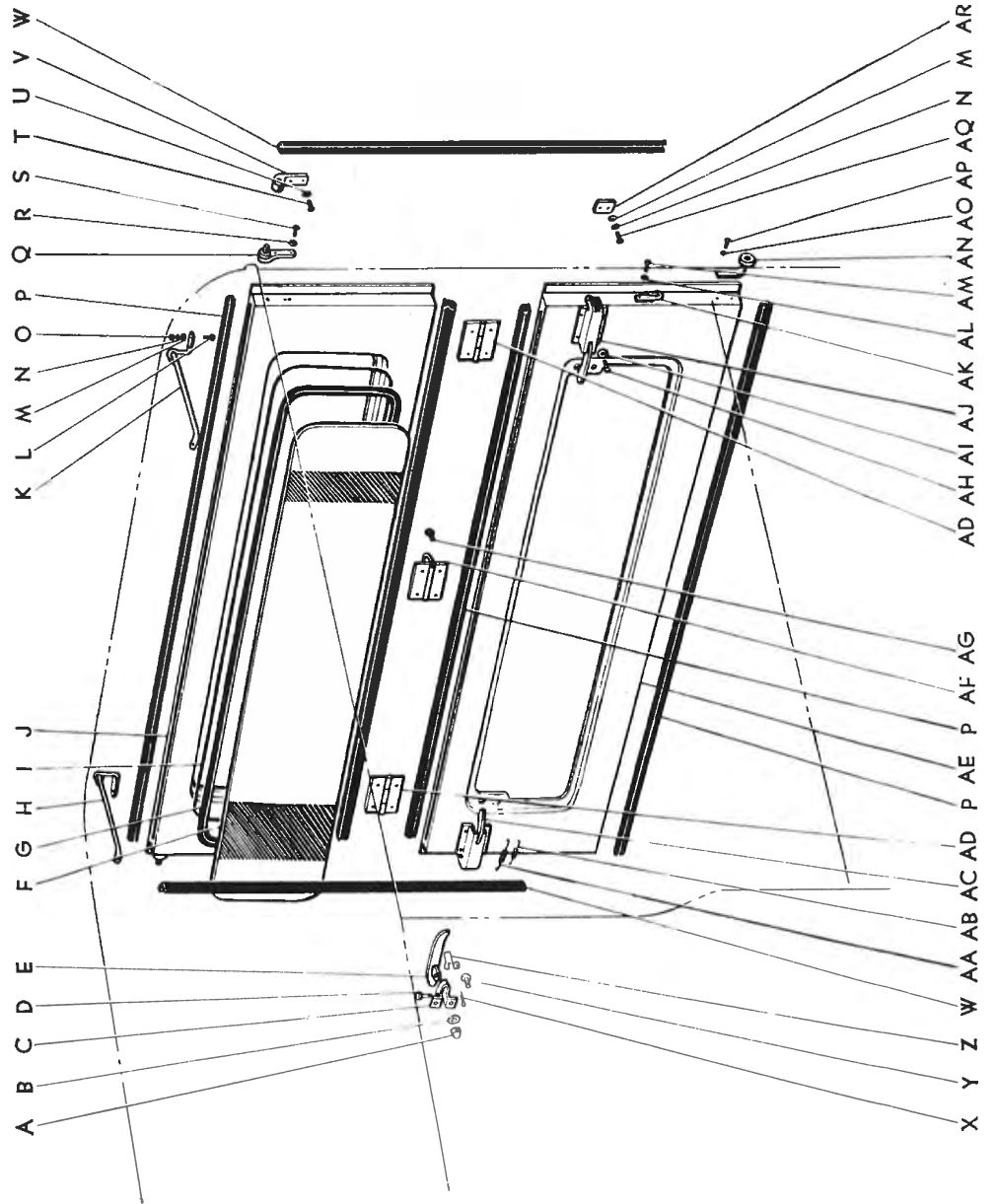
(FIG.68)

A	94511-00600	Washer, spring (6)	2	
B	90155-80002	Screw, cross recess flat fillister	1	40V, LV
C	94110-40800	Nut (hex. 8—1.25p)	18	
D	53382-20010	Bumper (For spare wheel carrier cushion)	1	40V, LV
E	94512-00800	Washer, spring (8)	22	
F	94612-10800	Washer, plate (8×1.6)	28	
	51900-60060	Carrier assy, spare wheel	1	40V
		(includes illustrations—A~K, L, O~Q, S~Z of Fig.—68)		
	51900-60070	Carrier assy, spare wheel	1	LV
G	51903-60060	Carrier sub-assy, spare wheel	1	40V
	51903-60070	Carrier sub-assy, spare wheel	1	LV
H	94110-40600	Nut (hex. 6—1.0p)	7	
I	91111-40820	Bolt (hex-hd. 8—1.25p×20)	6	
J	51904-60010	Bracket sub-assy, spare wheel carrier	1	40V
K	90942-01007	Nut, hub	3	40V, LV
L	94512-00600	Washer, spring (6)	5	
M	*81910-60010	Reflector assy, reflex	1	40V, LV
	81910-60020	Reflector assy, reflex	1	40V, LV
N	93210-16010	Screw (rd-hd. 6—1.0p×10)	2	
O	91111-40612	Bolt (hex-hd. 6—1.0p×12)	2	
P	51907-60010	Cushion sub-assy, spare wheel carrier	1	40V, LV
Q	94613-10600	Washer, plate (6×1.0)	6	
R	51955-60010	Bracket, spare wheel carrier support	1	40V
	51955-60020	Bracket, spare wheel carrier support	1	LV
S	69360-60010	Lock assy (For spare wheel carrier)	1	40V
	69350-60010	Lock assy (For spare wheel carrier)	1	LV
T	91111-40625	Bolt (hex-hd. 6—1.0p×25)	7	
U	91111-40825	Bolt (hex-hd. 8—1.25p×25)	18	
V	51907-60030	Hinge female sub-assy, wheel carrier	2	40V, LV
W	94141-41600	Nut (hex. 16—1.5p)	2	
X	90201-16026	Washer, plate	4	40V, LV
Y	95381-03025	Pin, cotter	2	
Z	51906-60010	Hinge male sub-assy, spare wheel carrier	1	40V
	51907-60040	Hinge male sub-assy, spare wheel carrier	1	LV

★ Old Part

BODY

FIG.—69 BACK DOOR & STAY (F140V, 401V)—Old



Toyota Land Cruiser

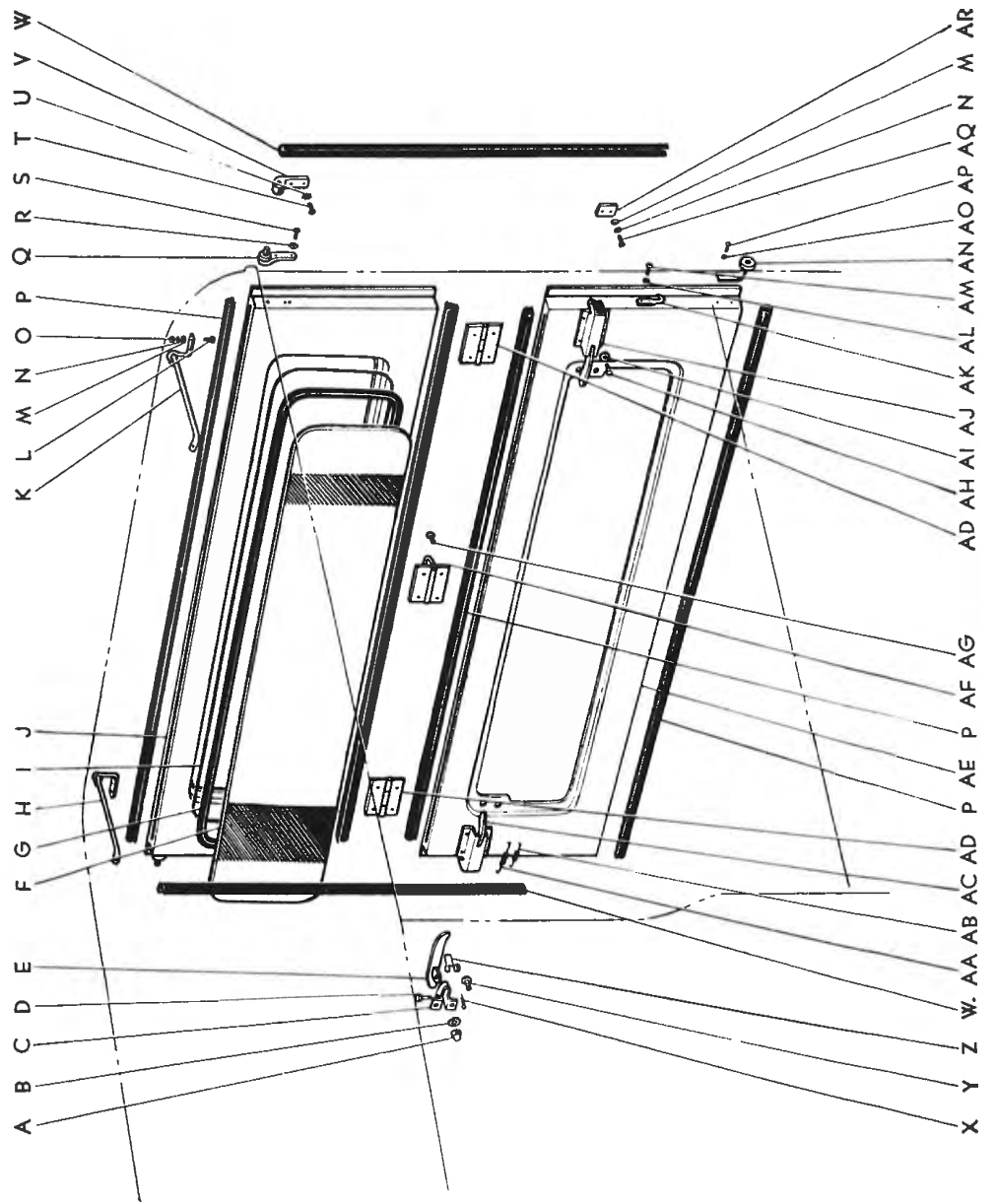
229

ILLUS- TRATION	PART NO.	NOMENCLATURE	P E R VEHICLE	MODEL
Back Door & Stay (FJ40V, 40LV) old				
(FIG.69)				
	★67500 60010	Door assy, back (includes illustrations—A~G, I, J, Q~S, X~AP of Fig.—69)	1	40V. LV
A	★94171 20600	Nut, cap	4	
B	94511-00600	Washer, spring (6)	4	
C	★69583 60010	Bracket, rear upper door lock outer	2	40V. LV
D	★90240 06065	Pin, w hole	2	40V. LV
	★69550 60010	Lever assy, rear upper door lock outer, RH (includes illustrations—C~E, X, Z of Fig.—69)	1	40V. LV
	★69560 60010	Lever assy, rear upper door lock outer, LH	1	40V. LV
E	★69508 60010	Lever sub-assy, rear upper door lock outer	2	40V. LV
F	★68131 60011	Glass, rear upper door	1	40V. LV
G	★68291 60010	Weatherstrip, rear upper door window, outer	1	40V. LV
H	★67201 60010	Stay sub-assy, rear upper door, RH	1	40V. LV
I	★68292 60010	Weatherstrip, rear upper door window, inner	1	40V. LV
J	★67005 60010	Panel sub-assy, back door, upper	1	40V. LV
K	★67202 60010	Stay sub-assy, back door, LH	1	40V. LV
L	★93110 15016	Screw (rd-hd. 5—0.9p×16)	4	
M	★94612 10500	Washer, plate (5×1.0)	8	
N	★94512 00500	Washer, spring (5)	8	
O	94110-40500	Nut (hex. 5—0.9p)	4	
P	★68829 60010	Weatherstrip, rear upper door	4	40V. LV
Q	★68802 60010	Hinge male sub-assy, rear upper door, LH	1	40V. LV
	★68801-60010	Hinge male sub-assy, rear upper door, RH	1	40V. LV
R	94524-00800	Washer, toothed (8)	4	
S	★93230 18020	Screw (oval-hd. 8—1.25p×20)	4	
T	93220-18020	Screw (fl-hd. 8—1.25p×20)	4	
U	★94525 00800	Washer, toothed (8)	4	
V	★61571 60010	Hinge, rear upper door, female	2	40V. LV
W	★62744 60010	Weatherstrip, back window guide	2	40V. LV
X	★95381 02012	Pin, cotter	2	
Y	★93210 16014	Screw (rd-hd. 6—1.0p×14)	4	
Z	★90508-12062	Spring, torsion	1	40V. LV
	★90508 12063	Spring, torsion	1	40V. LV
AA	★90506 09015	Spring, tension	2	40V. LV

★ Old Part

BODY

FIG.—69 BACK DOOR & STAY (FJ40V, 40LV)—Old



Toyota Land Cruiser

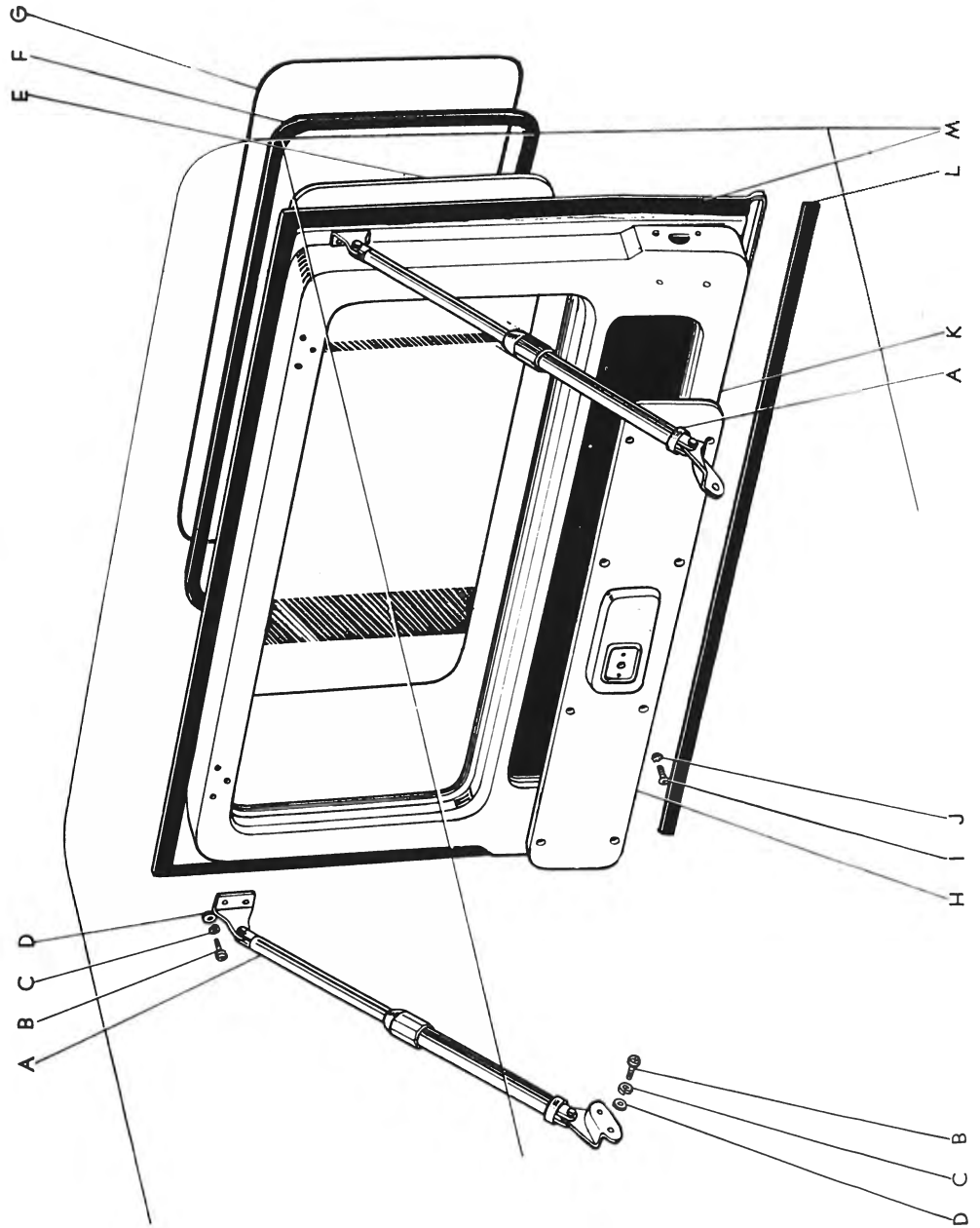
231

ILLUS- TRATION	PART NO.	NOMENCLATURE	P E R VEHICLE	MODEL
(FIG.69)				
AB	★90506-05014	Spring, tension	2	40V. LV
AC	★69380-60010	Lock assy, rear upper door, RH (includes illustrations—AA, AB of Fig.—69)	1	40V. LV
AD	★68804-60010	Hinge sub-assy, rear upper door center, B	2	40V. LV
AE	★67006-60010	Panel sub-assy, back door, lower	1	40V. LV
AF	★68803-60010	Hinge sub-assy, rear upper door center, A	1	40V. LV
AG	★93230-16016	Screw (oval-hd. 6—1.0p×16)	12	
AH	★93210-15010	Screw (rd-hd. 5—0.9p×10)	8	
AI	94511-00500	Washer, spring (5)	8	
AJ	★69390-60010	Lock assy, rear upper door, LH (includes illustrations—AA, AB of Fig.—69)	1	40V. LV
AK	★67181-60010	Hook, rear upper door stay	2	40V. LV
AL	★94512-00400	Washer, spring (4)	4	
AM	★93210-14014	Screw (rd-hd. 4—0.75p×14)	4	
AN	★67109-60010	Roller sub-assy, rear upper door	2	40V. LV
AO	★94512-00600	Washer, spring (6)	4	
AP	★93210-16020	Screw (rd-hd. 6—1.0p×20)	4	
AQ	93210-15012	Screw (rd-hd. 5—0.9p×12)	4	
AR	★61572-60010	Check, rear upper door lock	2	40V. LV

★ Old Part

BODY

FIG.—70 BACK DOOR & STAY (FJ40V, 40LV)
(from Frame No. FJ40-36364)



Toyota Land Cruiser

233

ILLUS-
TRATION PART NO.

NOMENCLATURE

P E R
VEHICLE

MODEL

Back Door & Stay

(from Frame No. FJ40-36364)

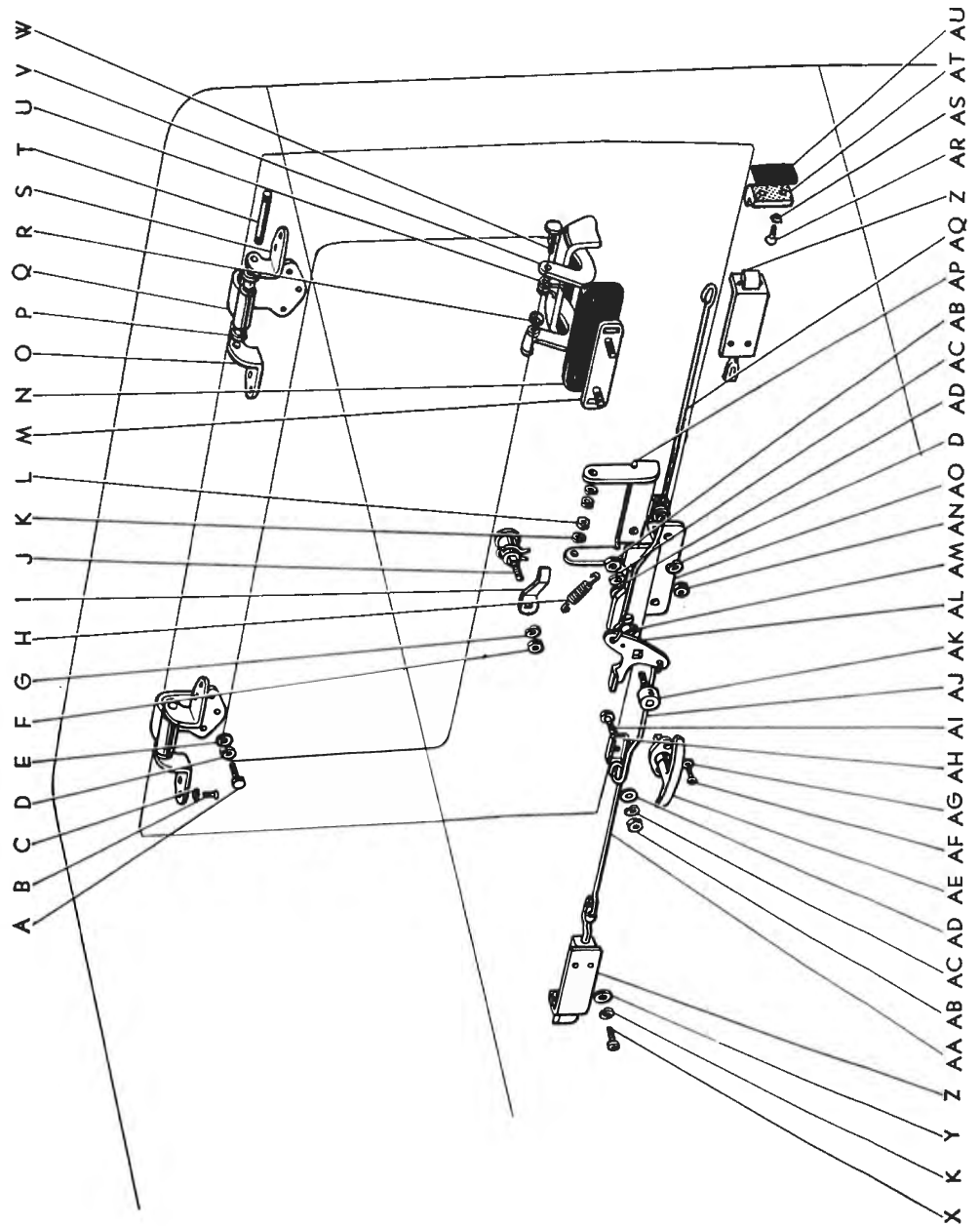
(FIG.70)

A	68970-60010	Stay assy, back door, RH	1	40V. LV
	68980-60010	Stay assy, back door, LH	1	40V. LV
	68978-60010	Bush, back door stay handle	2	40V. LV
B	93210-16016	Screw (rd-hd. 6—1.0p×16)	8	
C	94511-00600	Washer, spring (6)	8	
D	94613-10600	Washer, plate (6×1.0)	8	
E	68131-60012	Glass, back door	1	40V. LV
F	62741-60020	Weatherstrip, side window, outer	1	40V. LV
G	62743-60020	Weatherstrip, side window, inner	1	40V. LV
H	67129-60010	Cover, back door outside handle service hole	1	40V. LV
I	93230-15012	Screw (oval-hd. 5—0.9p×12)	8	
J	94524-00500	Washer, toothed (5)	8	
K	67005-60011	Door sub-assy, back	1	40V. LV
L	67872-60010	Weatherstrip, back door, lower	1	40V. LV
M	67871-60010	Weatherstrip, back door, upper	1	40V. LV

BODY

FIG.—71 BACK DOOR LOCK & HINGE (FJ40V, 40LV)

(from Frame No. FJ40-36364)



Toyota Land Cruiser

235

ILLUS- TRATION	PART NO.	NOMENCLATURE	P E R VEHICLE	MODEL
-------------------	----------	--------------	------------------	-------

Back Door Lock & Hinge

(from Frame No. FJ40-36364)

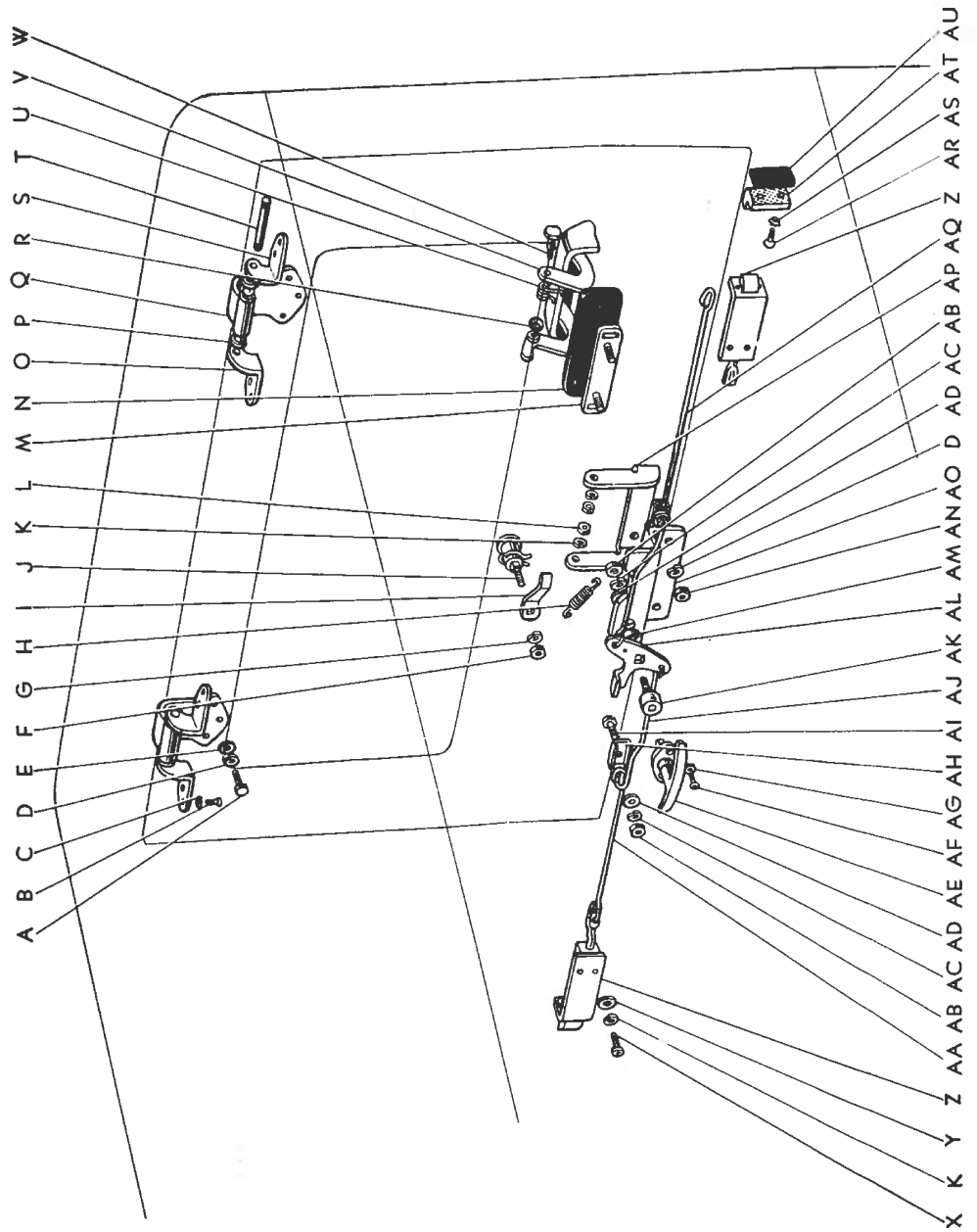
(FIG.71)

A	91111-40822	Bolt (hex-hd. 8-1.25p×22)	6	
B	93220-18020	Screw (fl-hd. 8-1.25p×20)	8	
C	94524-00800	Washer, toothed (8)	8	
D	94511-00800	Washer, spring (8)	8	
E	94612-10800	Washer, plate (8×1.6)	6	
F	94110-40400	Nut (hex. 4-0.75p)	1	
G	94511-00400	Washer, spring (4)	1	
H	90506-09131	Spring, tension	1	40V. LV
I	69384-60020	Plate, back door lock	1	40V. LV
J	69540-60020	Cylinder & sleeve assy, back door lock	1	40V. LV
K	94511-00500	Washer, spring (5)	10	
L	94110-40500	Nut (hex. 5-0.9p)	2	
M	69205-60010	Plate sub-assy, back door outside handle	1	40V. LV
N	69256-60010	Pad, back door outside handle base plate	1	40V. LV
O	68812-60020	Female, back door hinge, inner	2	40V. LV
P	90386-08004	Bushing	4	40V. LV
Q	68813-60020	Male, back door hinge	2	40V. LV
R	90206-08024	Washer, wave	1	40V. LV
S	68811-60020	Female, back door hinge, outer	2	40V. LV
T	90245-08026	Pin, back door hinge	2	40V. LV
U	90508-12085	Spring, torsion	1	40V. LV
V	69211-60030	Handle, back door outside	1	40V. LV
W	69239-60010	Pin, back door outside handle	2	40V. LV
X	93210-15010	Screw (rd-hd. 5-0.9p×10)	8	
Y	94611-10500	Washer, plate (5×0.6)	8	
Z	69390-60020	Lock assy, back door side	2	40V. LV
AA	69382-60020	Wire, back door lock control, B	1	40V. LV
AB	94110-40600	Nut (hex. 6-1.0p)	3	
AC	94511-00600	Washer, spring (6)	3	
AD	94613-10600	Washer, plate (6×1.0)	3	
AE	69260-60010	Handle assy, back door inside	1	40V. LV
AF	93230-15012	Screw (oval-hd. 5-0.9p×12)	2	
AG	94524-00500	Washer, toothed (5)	2	
AH	69379-60020	Plate, back door lock control wire set	2	40V. LV

BODY

FIG.—71 BACK DOOR LOCK & HINGE (FJ40V, 40LV)

(from Frame No. FJ40-36364)



Toyota Land Cruiser

237

ILLUS- TRATION	PART NO.	NOMENCLATURE	P E R VEHICLE	MODEL
FIG.71)				
AI	93180-16016	Screw (hex-hd. 6—1.0p×16)	2	40V. LV
AJ	69381-60020	Wire, back door lock control	2	40V. LV
AK	69378-60020	Pin, back door lock link	1	40V. LV
AL	69376-60020	Link, back door lock	1	40V. LV
AM	90206-10018	Washer, wave	1	40V. LV
AN	94110-40800	Nut (hex. 8—1.25p)	2	
AO	69377-60020	Bace, back door lock link	1	40V. LV
AP	69238-60010	Stay, back door outside handle	1	40V. LV
AQ	69383-60020	Wire, back door lock control, c	1	40V. LV
AR	93230-16020	Screw (oval-hd. 6—1.0p×20)	4	
AS	94524-00600	Washer, toothed (6)	4	
AT	69359-60010	Stopper, rear upper door lock	2	40V. LV
AU	61549-90316	Spacer, rear upper door lock stopper	1~2	40V. LV

BODY

FIG.—72 DOOR & DOOR WINDOW GLASS (FJ40V, 40LV)—Old
(from Frame No. FJ40-10001)

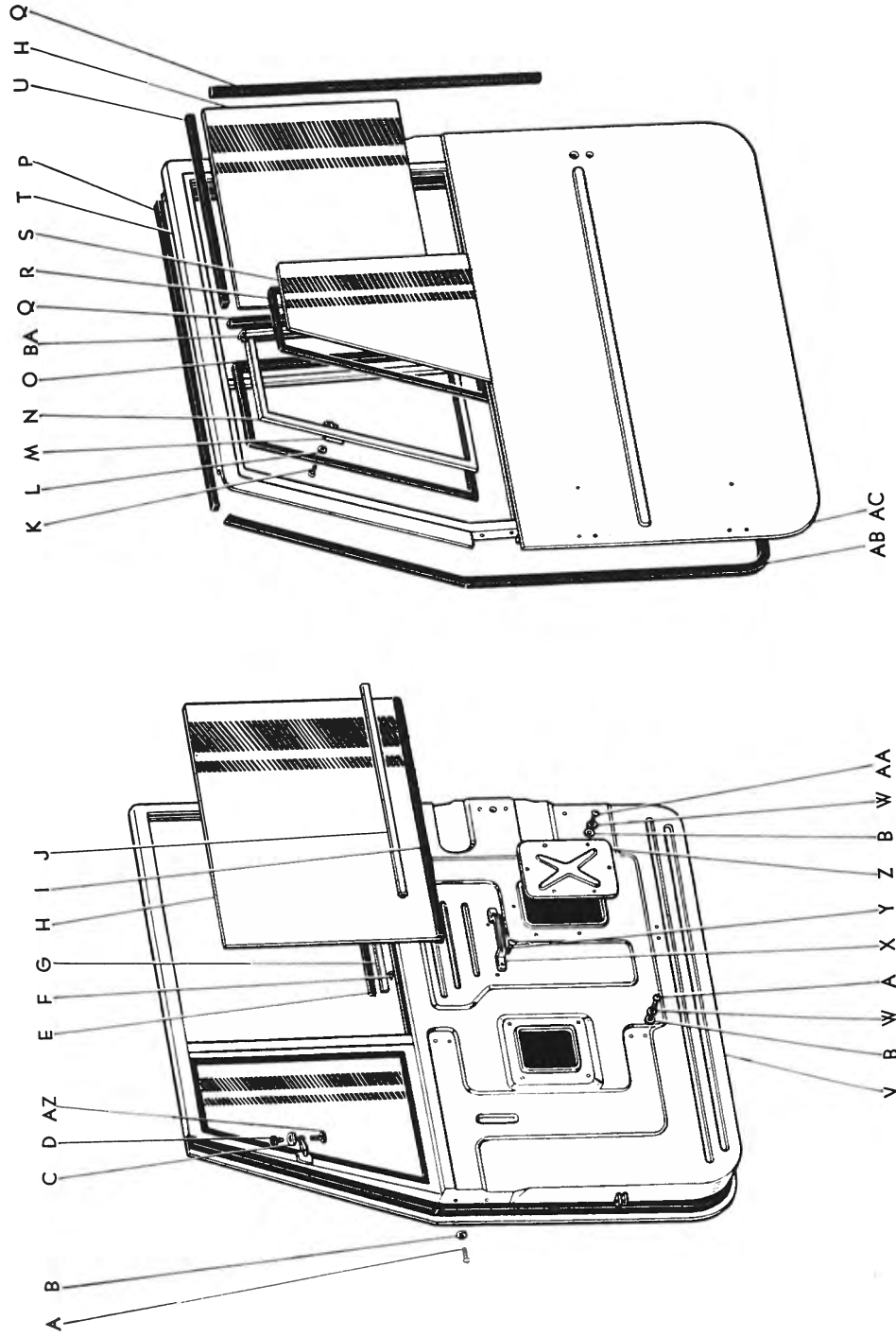
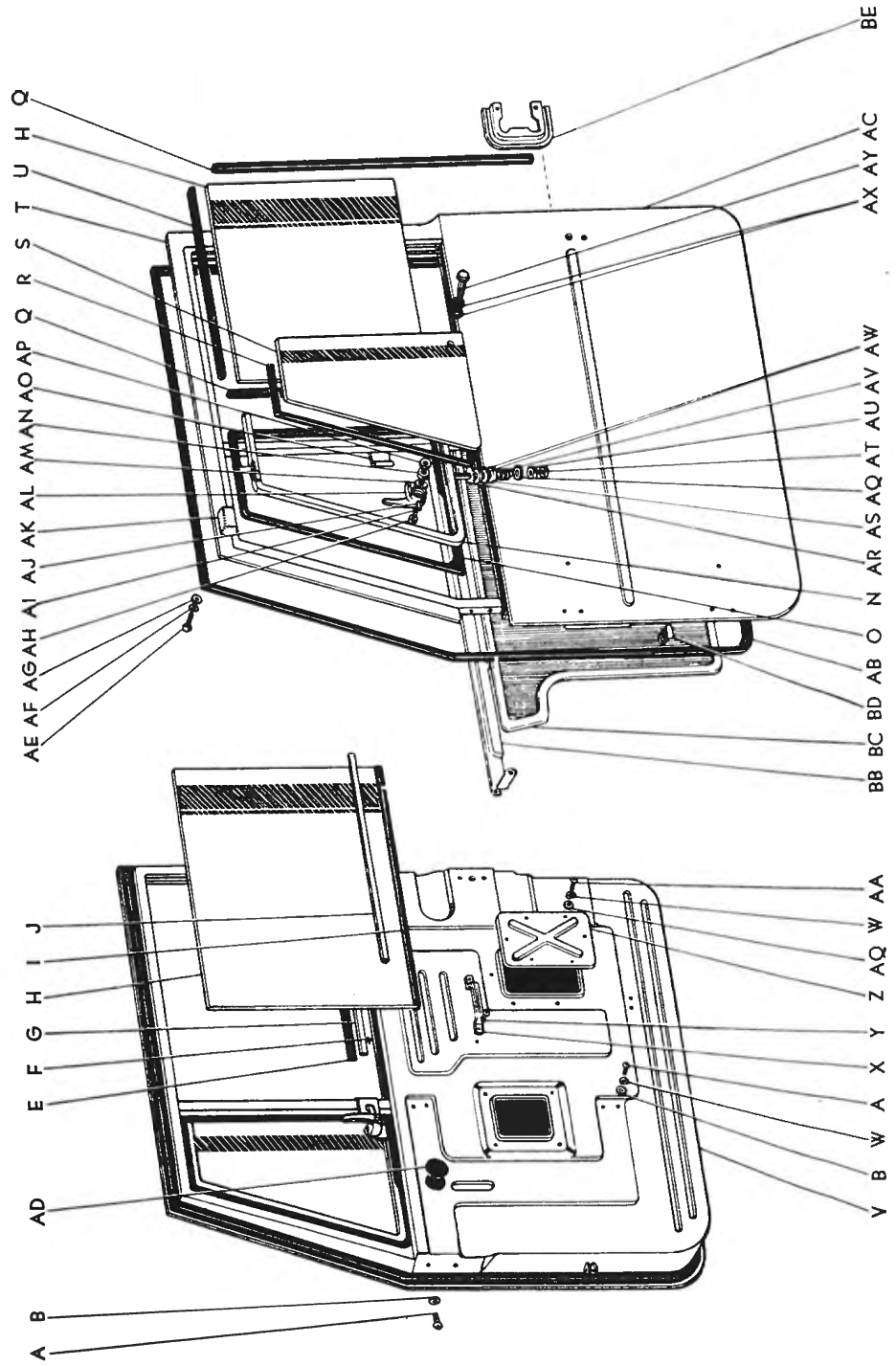


FIG.—72(a) DOOR & DOOR WINDOW GLASS (FJ40V, 40LV)

(from Frame No. FJ40-36364)



Toyota Land Cruiser

239

ILLUS- TRATION PART NO.	NOMENCLATURE	P E R VEHICLE	MODEL
----------------------------	--------------	------------------	-------

Door & Door Window Glass

FIG.72)

A	93210-16010	Screw (rd-hd. 6-1.0p×10)	20	
B	94611-10600	Washer, plate (6×1.0)	16 (old=28)	
C	*67566-60010	Washer, front ventilating window open wave	2	40V. LV
D	*67565-60010	Knob, front ventilating window open stopper	2	40V. LV
E	68161-60010	Weatherstrip, front door window outer	2	40V. LV
F	90467-06004	Clip, door glass weatherstrip	20	40V. LV
G	68221-60020	Plate, front door glass outer weatherstrip set	2	40V. LV
H	*68111-60011	Glass, front door	2	40V. LV
	68111-60012	Glass, front door-①	2	40V. LV
I	68211-60011	Weatherstrip, door glass channel	2	40V. LV
J	68170-60010	Weatherstrip assy, front door window, inner	2	40V. LV
K	*93210-14008	Screw (rd-hd. 4-0.75p×8)	6	
L	*94521-00400	Washer, toothed (4)	6	
M	*67570-60010	Stopper assy, front ventilator window open, LH-②	1	40V. LV
	*67560-60010	Stopper assy, front ventilator window open, RH-②	1	40V. LV
N	*67502-60010	Frame sub-assy, ventilator window glass, LH B	1	40V. LV
	67502-60011	Frame sub-assy, ventilator window glass, LH B-①	1	40V. LV
	*67501-60010	Frame sub-assy, ventilator window glass, RH B	1	40V. LV
	67501-60011	Frame sub-assy, ventilator window glass, RH B-①	1	40V. LV
O	*67518-60010	Weatherstrip, front ventilating window, LH	1	40V. LV
	68182-60010	Weatherstrip, front ventilating window, LH-①	1	40V. LV
	*67517-60010	Weatherstrip, front ventilating window, RH	1	40V. LV
	68181-60010	Weatherstrip, front ventilating window, RH-①	1	40V. LV
P	*68162-60010	Weatherstrip, front door, upper LH	1	40V. LV
	*68161-60030	Weatherstrip, front door, upper RH	1	40V. LV
Q	68213-60010	Retainer, front door glass, front	4	40V. LV
R	*67516-60010	Insert, front ventilating window glass	2	40V. LV
	68176-60020	Strip, door ventilating window frame, LH-①	1	40V. LV
	68175-60020	Strip, door ventilating window frame, RH-①	1	40V. LV
S	*68121-60011	Glass, front ventilator window	2	40V. LV
	68121-60012	Glass, front ventilator window-①	2	40V. LV

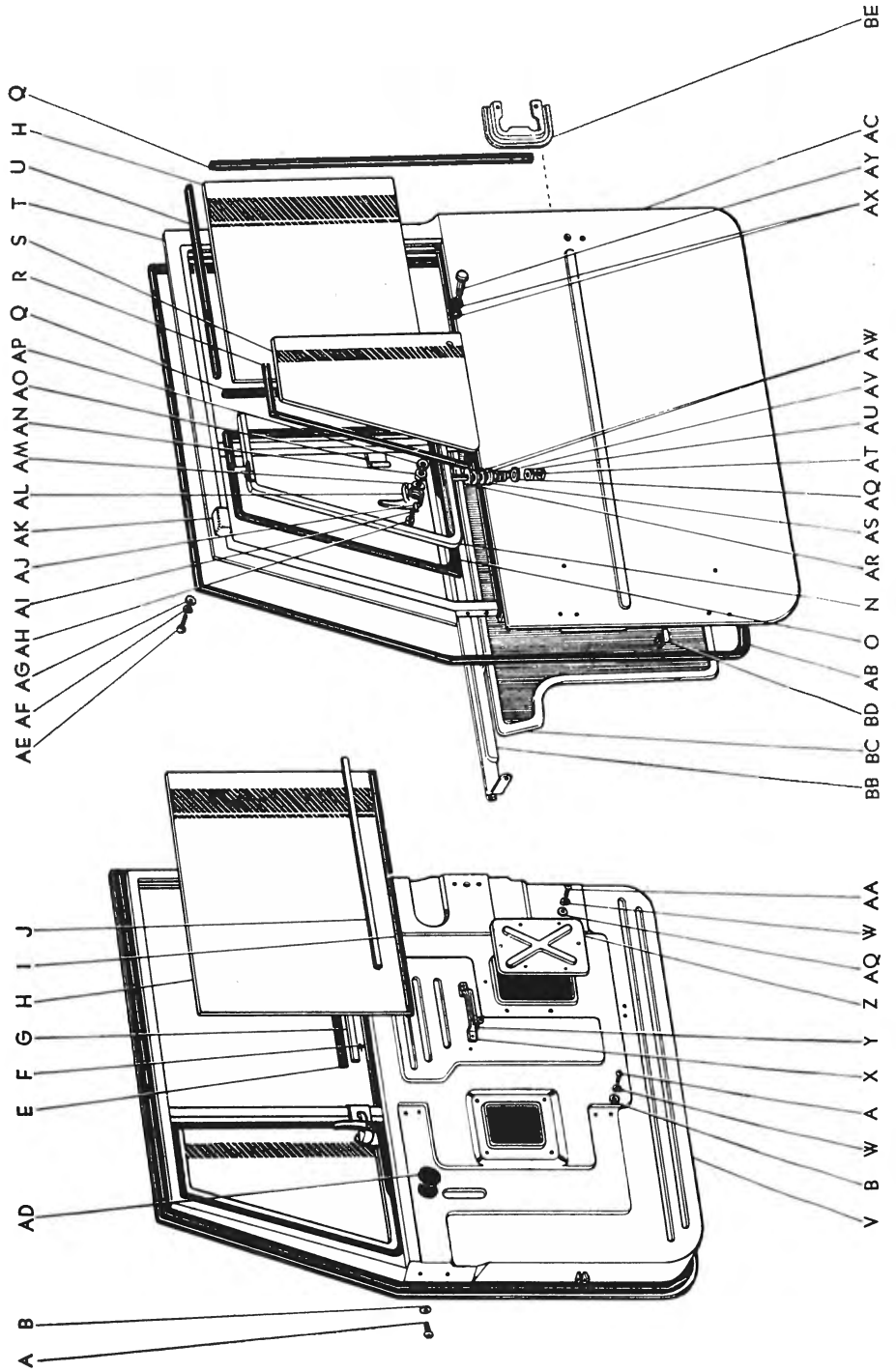
Old Part

① from Frame No. FJ40-36364 ② up to Frame No. FJ40-36363

BODY

FIG.—72(a) DOOR & DOOR WINDOW GLASS (FJ40V, 40LV)

(from Frame No. FJ40-36364)



Toyota Land Cruiser

241

ILLUS- TRATION	PART NO.	NOMENCLATURE	P E R VEHICLE	MODEL
FIG.72)				
T	*67042-60010	Frame sub-assy, front door window, LH	1	40V. LV
	67042-60011	Frame sub-assy, front door window, LH-①	1	40V. LV
	*67041-60010	Frame sub-assy, front door window, RH	1	40V. LV
	67041-60011	Frame sub-assy, front door window, RH ①	1	40V. LV
U	68212-60010	Retainer, front door glass, upper	2	40V. LV
V	*67001-60030	Panel sub-assy, front door, RH	1	40V
	67001-60031	Panel sub-assy, front door, RH-①	1	40V
	*67001-60020	Panel sub-assy, front door, RH	1	LV
	67001-60021	Panel sub-assy, front door, RH-①	1	LV
	67001-60060	Panel sub-assy, front door, RH OPT (For cold weather district)	1	LV
W	94511-00600	Washer, spring (6)	24	
X	67811-60010	Grip, door	2	40V. LV
Y	93230-24012	Screw (oval-hd. 4-0.75p×12, cr-pltd.)	4	
Z	*69881-60020*	Cover, front door window regulator hole (Replaced by 69881-60030)	2	40V. LV
	*69881-60030	Cover, front door window regulator hole ①	2	40V. LV
	69881-60031	Cover, front door window regulator hole-②	2	40V. LV
AA	93210-16012	Screw (rd-hd. 6-1.0p×12)	8	
AB	*68109-60010	Weatherstrip sub-assy, front door, LH	1	40V. LV
	68109-60020	Weatherstrip sub-assy, front door, LH-①	1	40V. LV
	*68108-60010	Weatherstrip sub-assy, front door, RH	1	40V. LV
	68108-60020	Weatherstrip sub-assy, front door, RH-①	1	40V. LV
AC	*67002-60030	Panel sub-assy, front door, LH	1	40V
	67002-60031	Panel sub-assy, front door, LH-①	1	40V
	*67002-60020	Panel sub-assy, front door, LH	1	LV
	67002-60021	Panel sub-assy, front door, LH ①	1	LV
	67002-60060	Panel sub-assy, front door, LH OPT (For cold weather district)	1	LV
AD	67556-60010	Grommet, door ventilating window service hole-①	2	40V. LV
AE	90150-40009	Screw, cross recess round ①	4	40V. LV
AF	94511-00400	Washer, spring (4)	4	
AG	94612-10400	Washer, plate (4×0.6)	4	
AH	67564-95400	Button, door ventilating window handle ①	2	40V. LV
AI	90501-05014	Spring, compression ①	2	40V. LV
AJ	67563-95400	Pin, door ventilating window handle set-①	2	40V. LV

Old Part

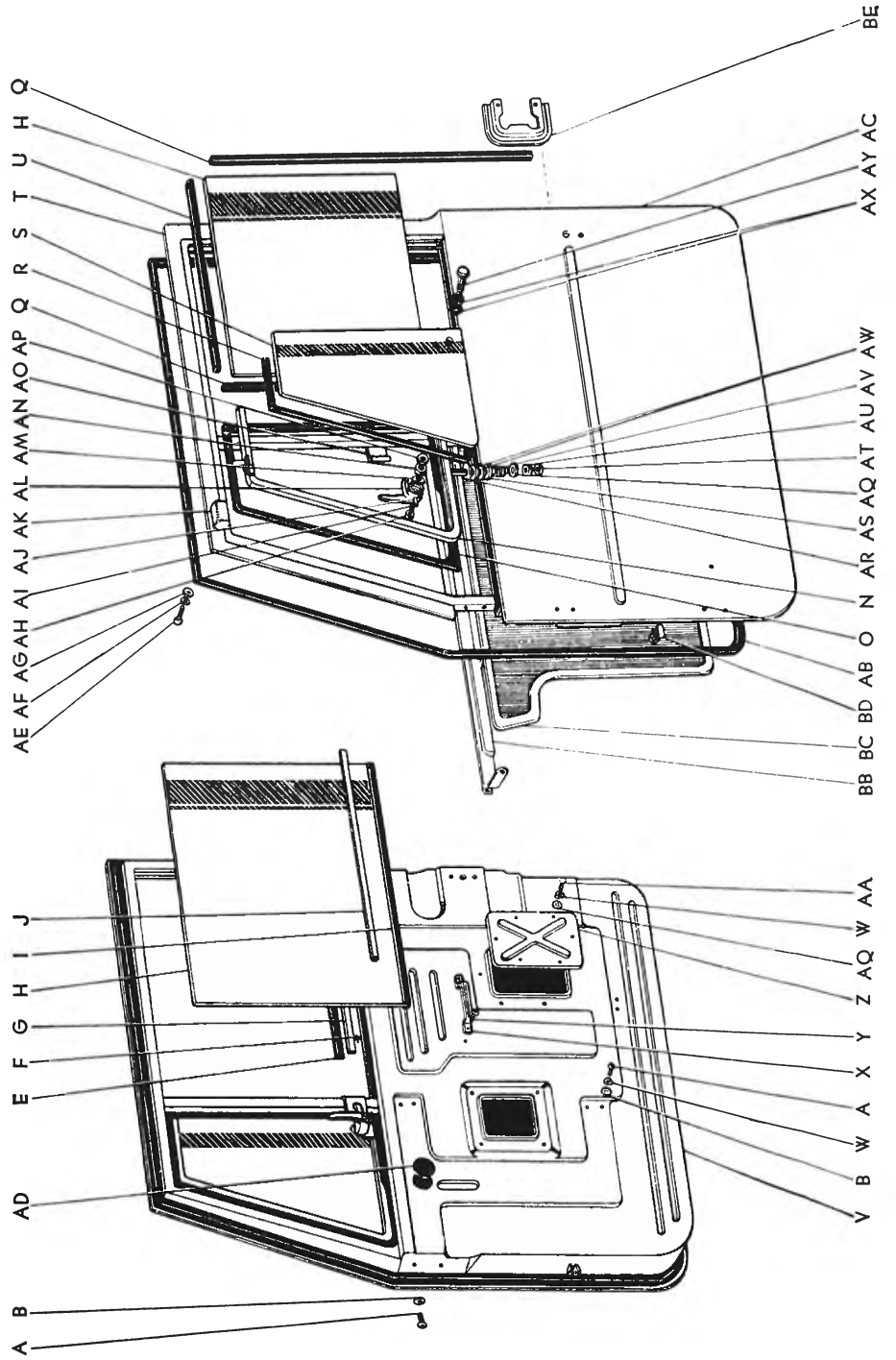
① from Frame No. FJ40-36364

② from Frame No. FJ40-46529

BODY

FIG.—72(a) DOOR & DOOR WINDOW GLASS (FJ40V, 40LV)

(from Frame No. FJ40-36364)



Toyota Land Cruiser

243

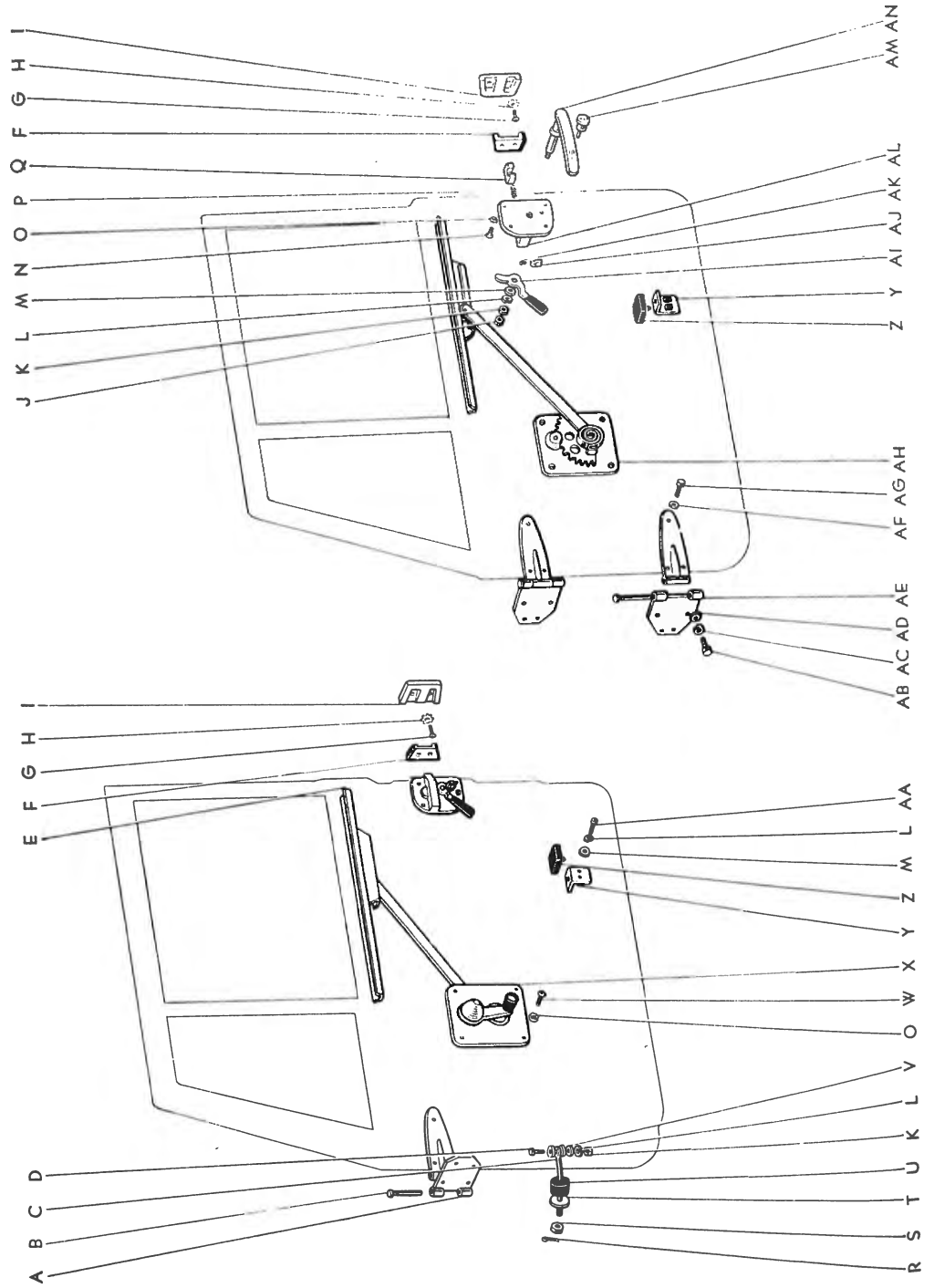
ILLUS- TRATION	PART NO.	NOMENCLATURE	P E R VEHICLE	MODEL
(FIG.72)				
AK	67541-60021	Bracket, door ventilating window upper pivot, upper-①	2	40V. LV
AL	67562-95400	Handle, door ventilating window, LH-①	1	40V. LV
	67561-95400	Handle, door ventilating window, RH-①	1	40V. LV
AM	90206-09011	Washer, wave-①	2	40V. LV
AN	90013-70001	Nut, hexagon-①	2	40V. LV
AO	67569-60020	Plate, door ventilating window handle-①	2	40V. LV
AP	90013-80002	Washer-①	2	40V. LV
AQ	94613-10600	Washer, plate (6×1.0)	10	
AR	67559-60010	Stopper, door ventilating window open-①	2	40V. LV
AS	90201-09221	Washer, plate-①	2	40V. LV
AT	94120-40600	Nut (hex. 6—1.0p)	2	
AU	94110-40600	Nut (hex. 6—1.0p)	2	
AV	90501-32259	Spring-①	2	40V. LV
AW	67566-60020	Washer, door ventilating window lower bracket-①	4	40V. LV
AX	90202-12041	Washer, plate-①	4	40V. LV
AY	67519-60010	Shaft, door ventilating window lock handle-①	2	40V. LV
AZ	*67567 60010	Shaft, front ventilating window open stopper, A-②	2	40V. LV
BA	*67511 60010	Frame, front ventilating window glass, A-②	2	40V. LV
BB	67762-60010	Moulding, front door trim, upper LH OPT (For cold weather district)	1	LV
	67761-60010	Moulding, front door trim, upper RH OPT (For cold weather district)	1	LV
BC	67620-60010	Panel assy, front door trim, LH OPT (For cold weather district) (Delete 69881-60031)	1	LV
	67610-60010	Panel assy, front door trim, RH OPT (For cold weather district) (Delete 69881-60031)	1	LV
BD	62581-10010	Retainer, trim board OPT (For cold weather district)	8	LV
BE	67763-60010	Moulding, front door trim side OPT (For cold weather district)	2	LV

* Old Part

① from Frame No. FJ40 36364 ② up to Frame No. FJ40 36363

BODY

FIG.—73 DOOR LOCK & WINDOW REGULATOR (FJ40V, 40LV)



Toyota Land Cruiser

245

ILLUS- TRATION	PART NO.	NOMENCLATURE	P E R VEHICLE	MODEL
-------------------	----------	--------------	------------------	-------

Door Lock & Window Regulator (FJ40V, 40LV)

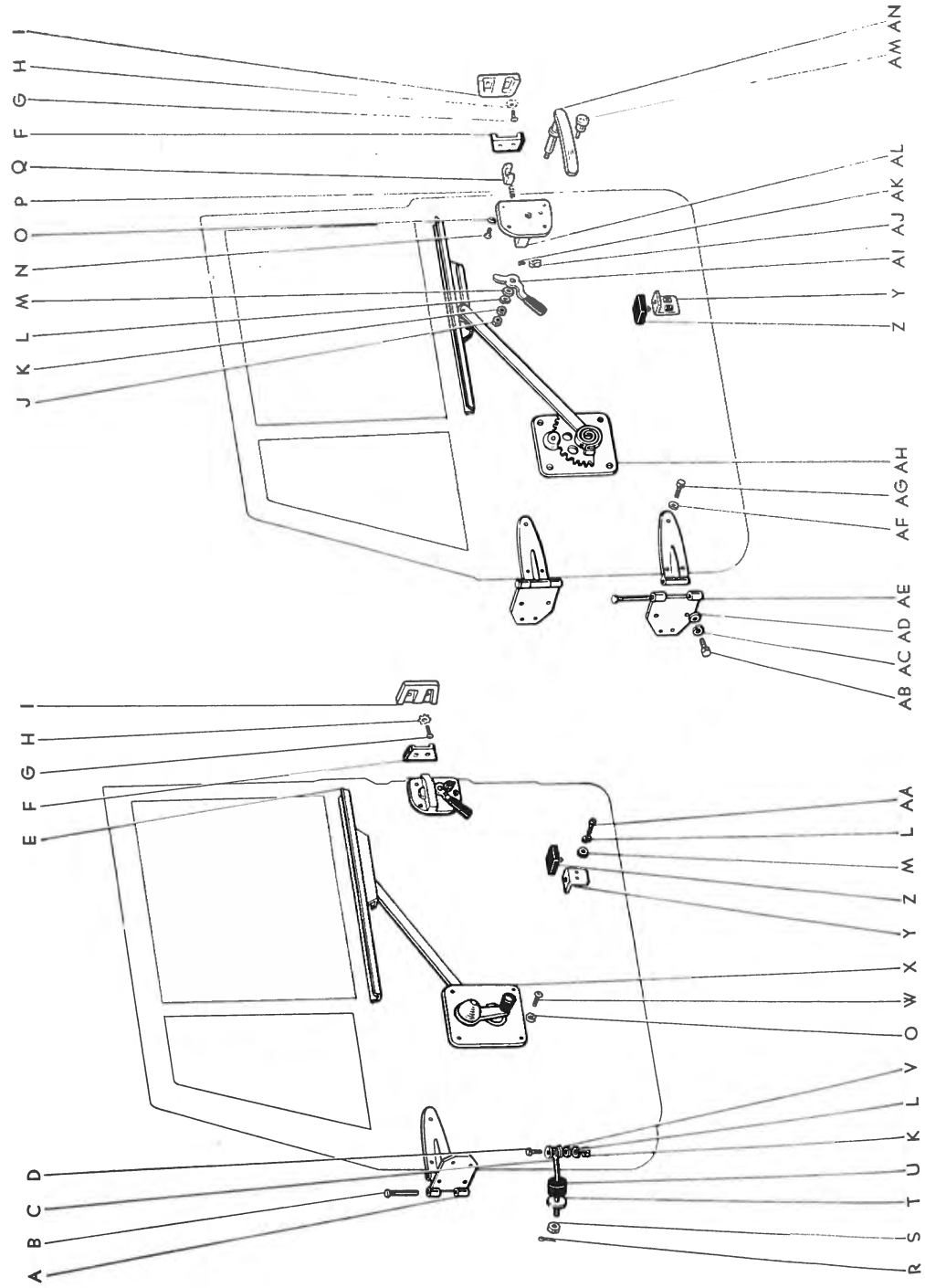
(FIG.73)

A	68710-60010	Hinge assy, front door, RH (includes illustration—B of Fig.—73)	2	40V. LV
B	90245-08011	Pin, w serration	4	40V. LV
C	68957-60010	Stopper, front door open	2	40V. LV
D	68898-60010	Pin, front door open stopper hinge	2	40V. LV
E	69901-69810	Channel sub-assy, front door glass, RH	1	40V. LV
	69902-69810	Channel sub-assy, front door glass, LH	1	40V. LV
F	69405-95010	Stop sub-assy, door down	2	40V. LV
G	93220-18016	Screw (fl-hd. 8—1.25p×16)	8	40V. LV
H	94524-00800	Washer, toothed (8)	8	
I	67451-60020	Plate, door lock striker	2	40V. LV
J	★94350-10600	Nut, stamped	2	40V. LV
	94120-40600	Nut (hex. 6—1.0p)	2	
K	94110-40600	Nut (hex. 6—1.0p)	4	
L	★94511-00600	Washer, spring (6)	8	
	94524-00600	Washer, toothed (6)	8	
M	★94613-10600	Washer, plate (6×1.0)	2	
	94612-10600	Washer, plate (6×1.0)	2	
N	93220-16012	Screw (fl-hd. 6—1.0p×12)	8	
O	94524-00600	Washer, toothed (6)	16	
P	69323-95010	Spring, door lock	2	40V. LV
Q	69321-95010	Stopper, door lock	2	40V. LV
R	95381-02020	Pin, cotter	2	
S	94141-40800	Nut (hex. 8—1.25p)	2	
T	94613-10800	Washer, plate (8×1.6)	2	
U	90540-08008	Cushion	2	40V. LV
V	94611-10600	Washer, plate (6×1.0)	2	
W	93230-16016	Screw (oval-hd. 6—1.0p×16)	8	
X	69810-60011	Regulator assy, door window, RH (includes illustration E of Fig. 73)	1	40V. LV
Y	★67404-60010	Stopper sub-assy, front door glass down	2	40V. LV
	67404-90332	Stopper sub-assy, front door glass down	2	40V. LV
Z	68191-30010	Cushion, door glass down stopper	2	40V. LV
AA	93210-16010	Screw (rd-hd. 6—1.0p×10)	4	
AB	91111-40820	Bolt (hex-hd. 8—1.25p×20)	16	
AC	94512-00800	Washer, spring (8)	16	
AD	94612-10800	Washer, plate (8×1.6)	16	

★ Old Part

BODY

FIG.—73 DOOR LOCK & WINDOW REGULATOR (FJ40V, 40LV)



Toyota Land Cruiser

247

ILLUS- TRATION	PART NO.	NOMENCLATURE	P E R VEHICLE	MODEL
(FIG.73)				
AE	68720-60010	Hinge assy, front door, LH (includes illustration—B of Fig.—73)	2	40V, LV
AF	94521-00800	Washer, toothed (8)	12	
AG	91111-50820	Bolt (hex-hd. 8—1.25p×20)	12	
AH	69820-60011	Regulator assy, door window, LH (includes illustrations—E of Fig.—73)	1	40V, LV
AI	★69208 95010*	Handle sub-assy, door inside, LH (Replaced by 69207-60010)	1	40V, LV
	69207-60010	Handle sub-assy, door inside, LH	1	40V, LV
	★69207 95010*	Handle sub-assy, door inside, RH (Replaced by 69206-60010)	1	40V, LV
	69206-60010	Handle sub-assy, door inside, RH	1	40V, LV
AJ	★69388 95010*	Knob, door lock key (40V=LH door, 40LV=RH door) (Replaced by 69388-95011)	1	40V, LV
	69388-95011	Knob, door lock key (40V=LH door, 40LV=RH door)	1	40V, LV
AK	93220-13010	Screw (fl-hd. 3—0.6p×10) (40V=LH door, 40LV=RH door)	1	40V, LV
	69320-60010	Handle assy, door lock, LH (includes illustrations—J~M, P, Q, AI~AL, AN of Fig.—73)	1	40V
	69310-60020	Handle assy, door lock, RH	1	LV
	69320-60020	Handle assy, door lock, LH (includes illustrations—J~M, P, Q, AI, AL, AN of Fig.—73)	1	LV
	69310-60010	Handle assy, door lock, RH	1	40V
AL	★69320 95010*	Lock assy, door, LH (Replaced by 69320-60030) (includes illustrations—P, Q, AI~AK of Fig.—73)	1	40V
	69320-60030	Lock assy, front door, LH	1	40V
	★69330 95010*	Lock assy, door, RH (Replaced by 69310-60040)	1	LV
	69310-60040	Lock assy, front door, RH	1	LV
	★69320 95011*	Lock assy, door, LH (Replaced by 69320-60040) (includes illustrations—P, Q, AI, AK of Fig.—73)	1	LV
	69320-60040	Lock assy, front door, LH	1	LV
	★69310 95010*	Lock assy, door, RH (Replaced by 69310-60030)	1	40V
	69310-60030	Lock assy, front door, RH	1	40V
AM	69510-60030	Key assy, front door lock (40V=RH door, 40LV=LH door)	1	40V, LV
AN	69201-60020	Handle sub-assy, door outside	2	40V, LV

★ Old Part

BODY

FIG.—74 MAIN BODY (FJ45V, 45LV)—Old

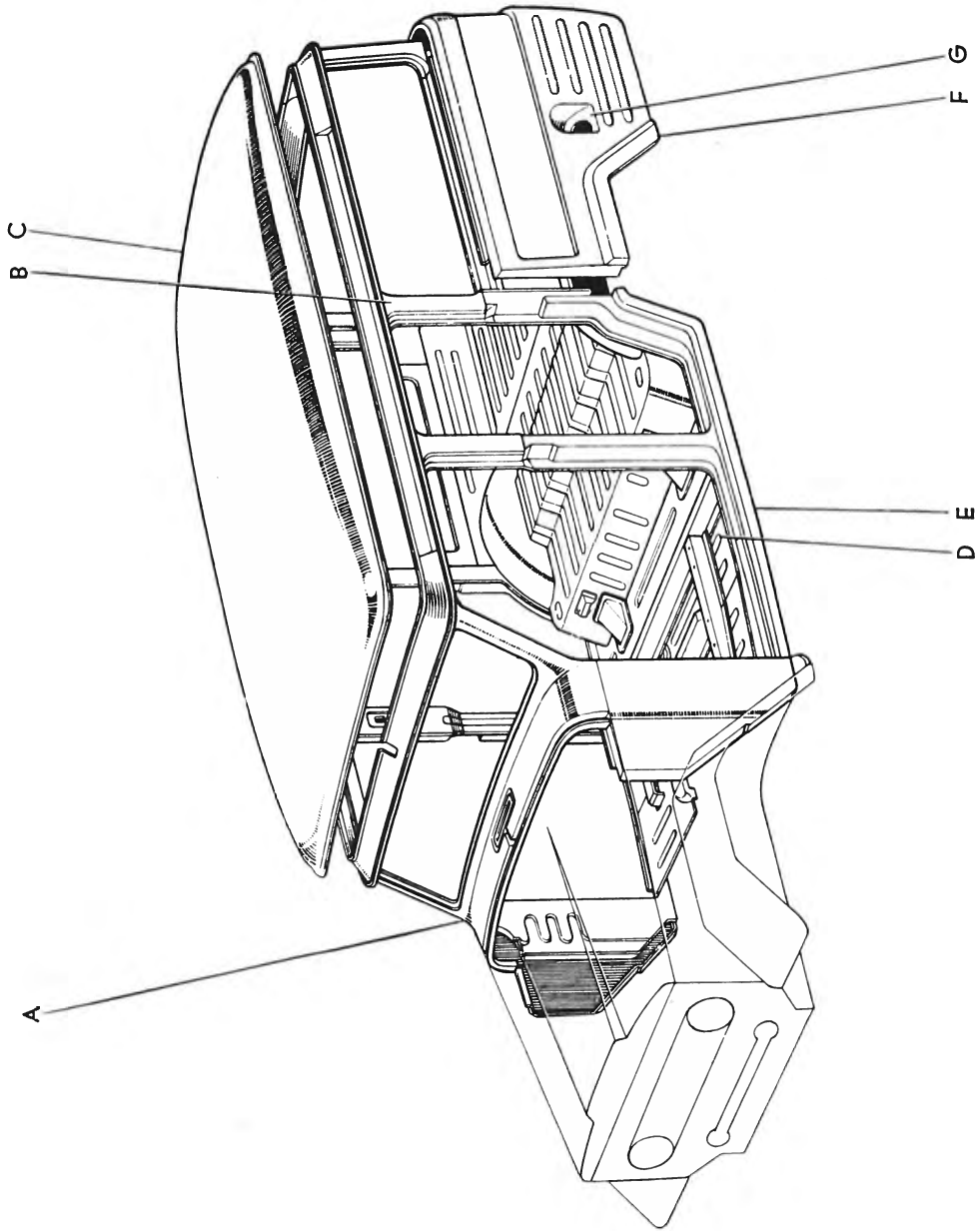
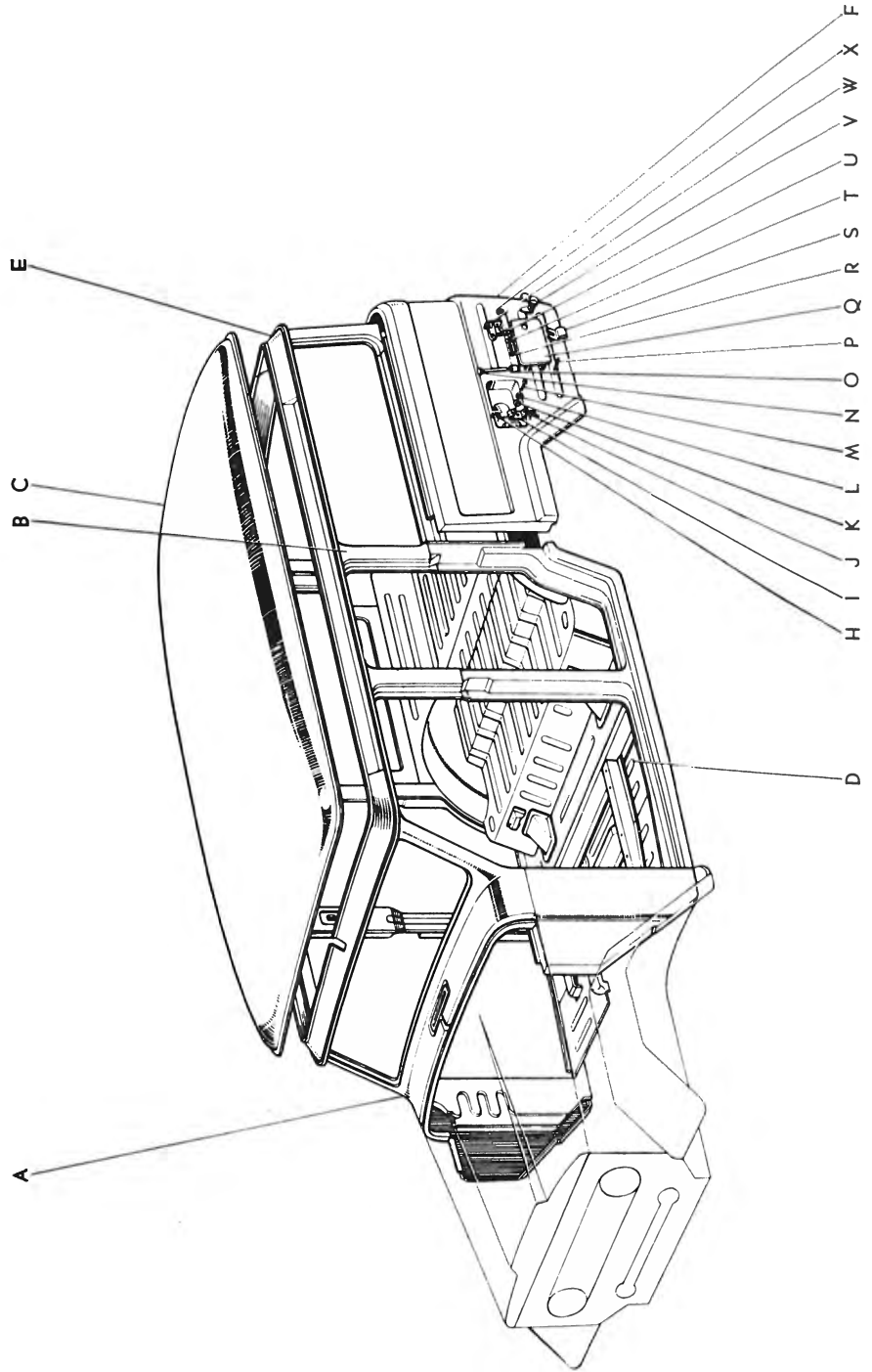


FIG.—74(a) MAIN BODY (FJ45V, 45LV)



Toyota Land Cruiser

249

ILLUS- TRATION	PART NO.	NOMENCLATURE	P E R VEHICLE	MODEL
Main Body (FJ45V, 45LV)				
(FIG.74)				
A	★55100-92000*	Cowl assy (includes illustrations—A, J, L, O of Fig.—15, illustration—W of Fig.—62, illustrations—A, C~L, Q~AD of Fig.—63, illustrations—H~X of Fig.—75 and illustrations—A, E, AA~AC, AM of Fig.—78 of this supplement. illustrations—L~M of Fig.—82, illustrations—K, N, O, V of Fig.—85 and illustrations—D, N~Q of Fig.—141 in Parts Catalog Model FJ40.)	1	45V
	55100-92002*	Cowl assy-①	1	45V
	★55100-92100*	Cowl assy	1	LV
	55100-92102*	Cowl assy-①	1	LV
	★55100-92001*	Cowl assy (For U.S.A.)	1	LV
	55100-92172*	Cowl assy (For U.S.A.)-②	1	LV
	55100-92010*	Cowl assy OPT (For tropical countries) (includes illustrations—A, J, L, O of Fig.—15 illustration—W of Fig.—62 illustrations—A, C~L, Q~AD of Fig.—63 illustrations—H~X of Fig.—75 and illustrations—A, AA~AC, AM of Fig.—78 of this supplement. illustrations—L~M of Fig.—82 illustrations—K, N, O, V of Fig.—85 and illustrations—D, N~Q of Fig.—141 in Parts Catalog Model FJ40.)	1	45V
	55100-92020*	Cowl assy OPT (For tropical countries & center change)	1	45V
	55100-92110*	Cowl assy OPT (For tropical countries)	1	LV
	55100-92120*	Cowl assy OPT (For tropical countries & center change)	1	LV
B	★61420-92000*	Side assy, outer, LH (includes illustrations—F, G of Fig.—74 and illustrations—Q, U, W, AF, AI, AT of Fig.—79)	1	45V, LV
	★61420-92001*	Side assy, outer, LH-③	1	45V, LV
	61420-92052*	Side assy, outer, LH-①②	1	45V, LV
	★61410-92000*	Side assy, outer, RH (includes illustration—F of Fig.—74 and illustrations—Q, U, W, AF, AI, AT of Fig.—79)	1	45V, LV
	★61410-92001*	Side assy, outer, RH-③	1	45V, LV
	61410-92052*	Side assy, outer, RH-①②	1	45V, LV
C	★63101-92000	Panel sub-assy, roof	1	45V, LV
	63101-92001	Panel sub-assy, roof-①②	1	45V, LV
★ Old Part ① from Frame No. FJ45-26310 ② from Frame No. FJ45-25774(For U.S.A.) ③ from Frame No. FJ45-24186				
↓ BODY				

FIG.—74(a) MAIN BODY (FJ45V, 45LV)

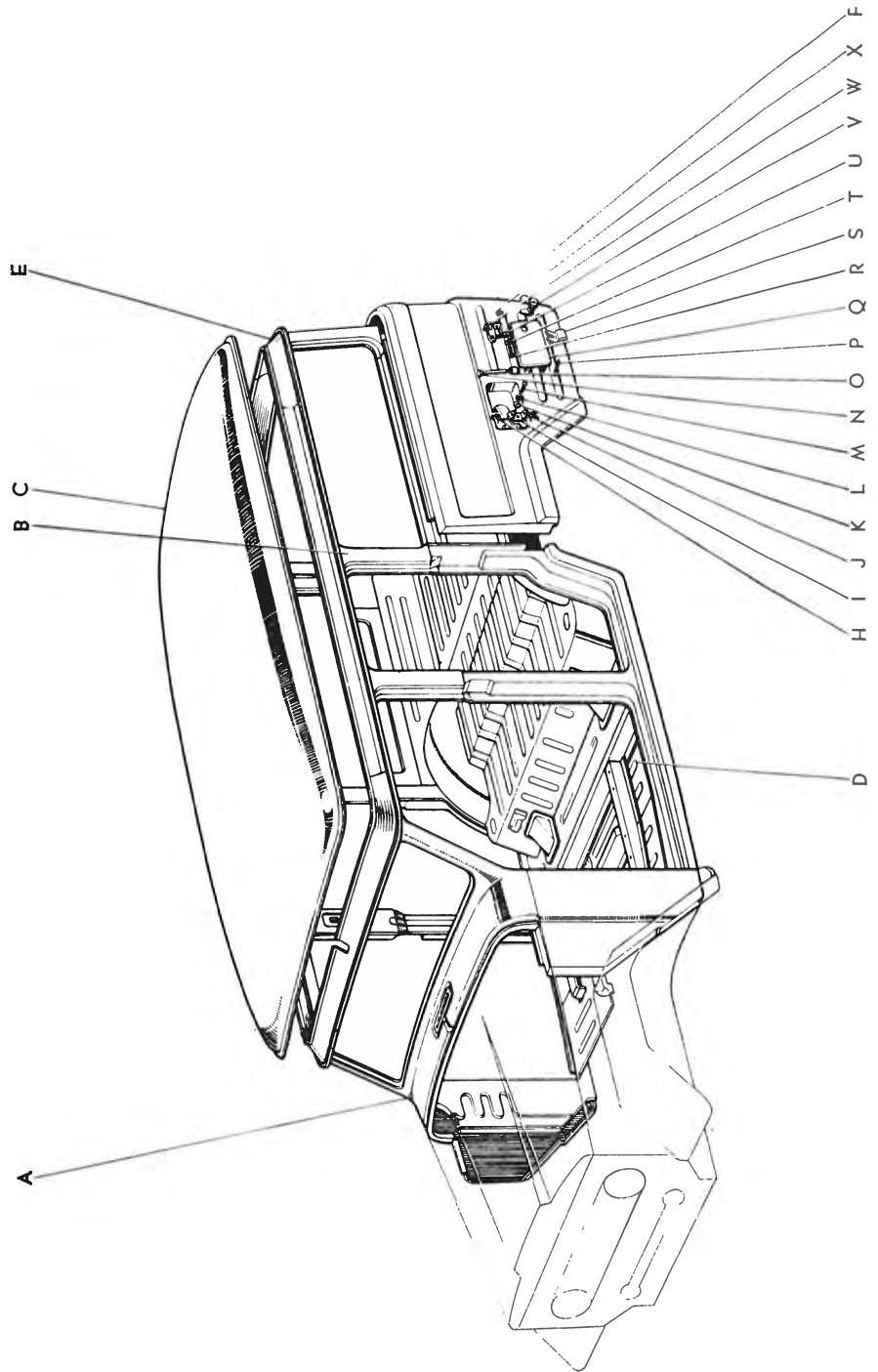
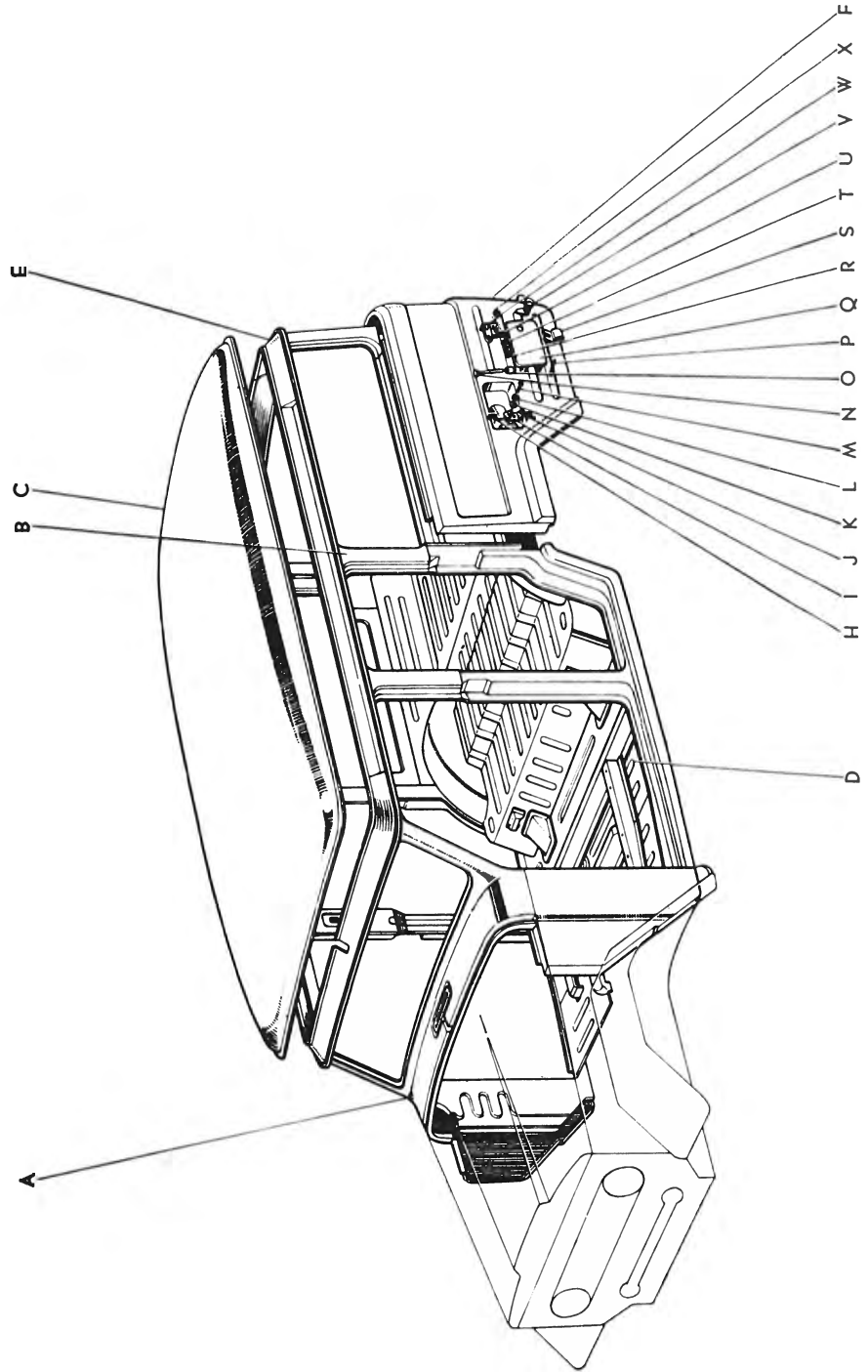


FIG.—74(a) MAIN BODY (FJ45V, 45LV)



Toyota Land Cruiser

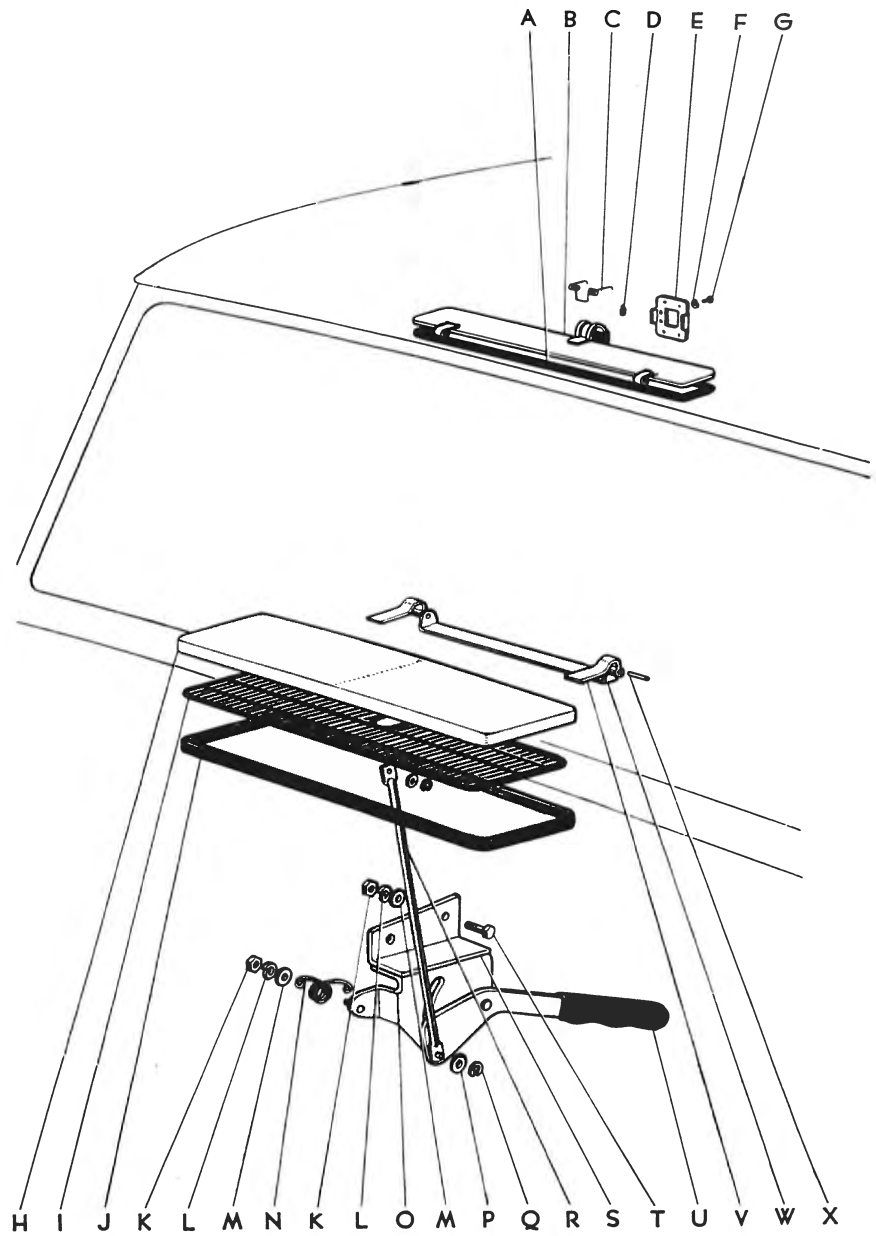
249-4

ILLUS- TRATION	PART NO.	NOMENCLATURE	P E R VEHICLE	MODEL
(FIG.74)				
N	61824-92000	Pin, fuel inlet box cover hinge-①	1	45V. LV
O	61825-92000	Washer, fuel inlet box cover hinge-①	1	45V. LV
P	95381-01612	Pin, cotter	1	
Q	61802-92000	Cover sub-assy, fuel inlet box-①	1	45V. LV
R	93210-14010	Screw (rd-hd. 4—0.75p×10)	2	
S	77151-91133	Spring, fuel inlet box cover key clamp-①	1	45V. LV
T	94511-00400	Washer, spring (4)	2	
U	94612-10400	Washer, plate (4×0.6)	2	
V	77410-60020	Key assy, fuel tank inlet box cover-①	1	45V. LV
W	61815-92000	Plate, fuel inlet box cover lock-①	1	45V. LV
X	65928-91306	Grommet-①	1	45V. LV

① from Frame No. FJ45-24186

BODY

FIG.—75 VENTILATOR (FJ45V, 45LV)—Old
 (from Frame No. FJ45-10001)



B 0615-B

Toyota Land Cruiser

251

ILLUS- TRATION	PART NO.	NOMENCLATURE	P E R VEHICLE	MODEL
Ventilator (FJ45V, 45LV)—Old				
(from Frame No. FJ45-21702 refer to Fig.-76)				
(FIG.75)				
A	★53835-92000	Packing, roof ventilator (Excludes U.S.A.)-①	1	
B	★55803-92000	Lid sub-assy, roof ventilator (Excludes U.S.A.)-①	1	45V. LV
C	★63418-95000	Spring, pentroof ventilator (Excludes U.S.A.)-①	1	45V. LV
D	★90053-00500	Cushion, rubber (Excludes U.S.A.)-①	1	45V. LV
F	★53836-92000	Holder, roof ventilator spring (Excludes U.S.A.)-①	1	45V. LV
F	★94511-00400	Washer, spring (4) (Excludes U.S.A.)-①	2	
G	★93210-14012	Screw (rd-hd. 4—0.75p×12) (Excludes U.S.A.)-①	2	
H	★55801-95210	Door sub-assy, cowl ventilator-②	1	45V. LV
I	★55861-95210	Screen, cowl ventilator-②	1	45V. LV
J	★55881-95210	Weatherstrip, cowl ventilator-②	1	45V. LV
K	94110-40600	Nut (hex. 6—1.0p)	4	
L	94511-00600	Washer, spring (6)	4	
M	94613-10600	Washer, plate (6×1.0)	4	
N	★55824-95210	Spring, cowl ventilator handle-②	1	45V. LV
O	★55822-95210	Bracket, cowl ventilator handle-②	1	45V. LV
P	★94612-10500	Washer, plate (5×1.0)-②	2	
Q	★90053-80400	Ring, retaining-②	2	45V. LV
R	★55835-92000	Rod, front ventilator-②	1	45V. LV
S	★55825-92000	Bracket, front ventilator handle-②	1	45V. LV
T	91111-40616	Bolt (hex-hd. 6—1.0p×16)	2	
U	★55802-95210	Handle sub-assy, cowl ventilator-②	1	45V. LV
V	★55852-95210	Hinge, cowl ventilator door, LH-②	1	45V. LV
	★55851-95210	Hinge, cowl ventilator door, RH-②	1	45V. LV
W	★55853-95210	Hinge, cowl ventilator, female-②	1	45V. LV
X	★55855-95210	Pin, cowl ventilator door hinge-②	1	45V. LV

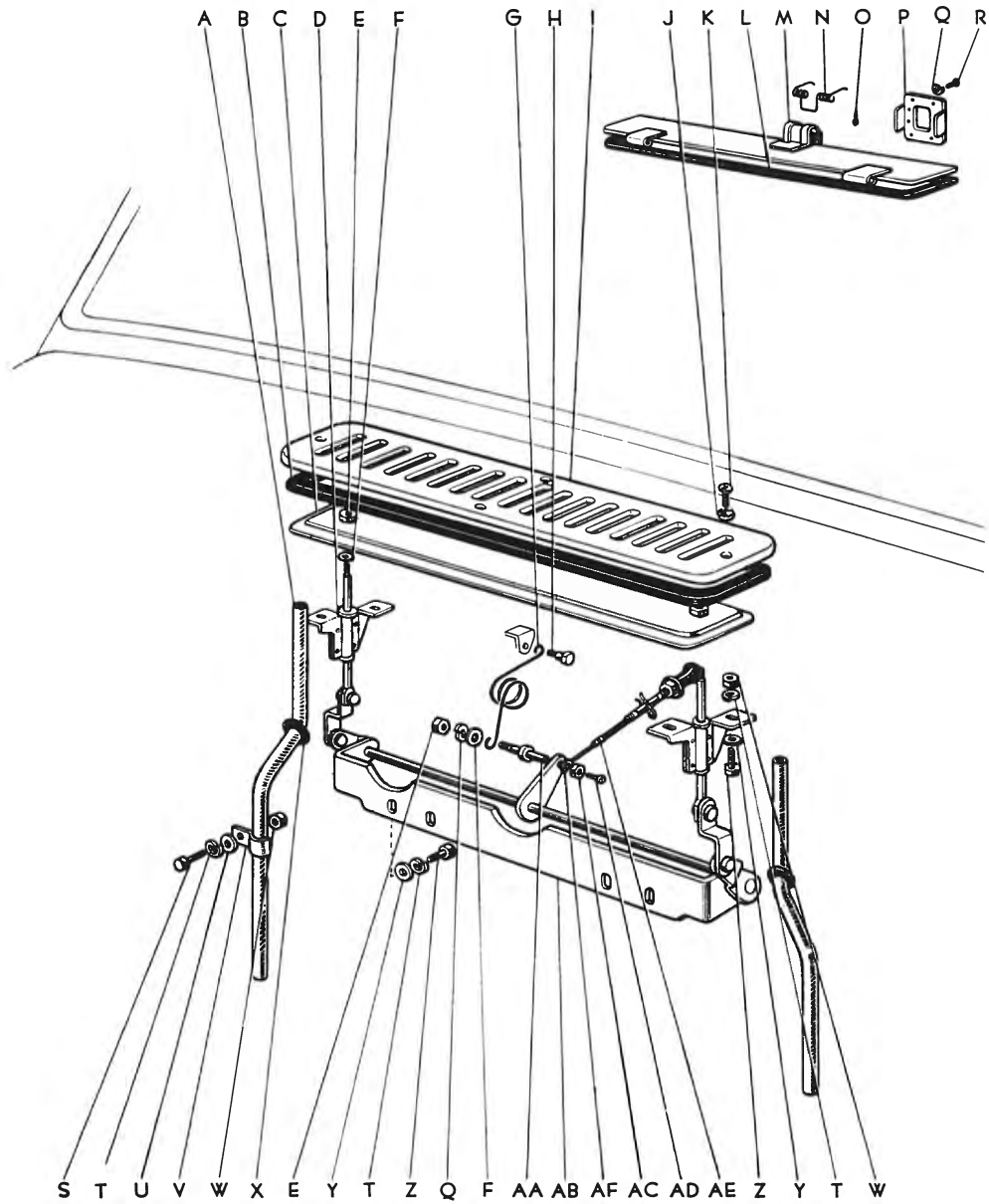
★ Old Part

① up to Frame No. FJ45-26309

② up to Frame No. FJ45-21701

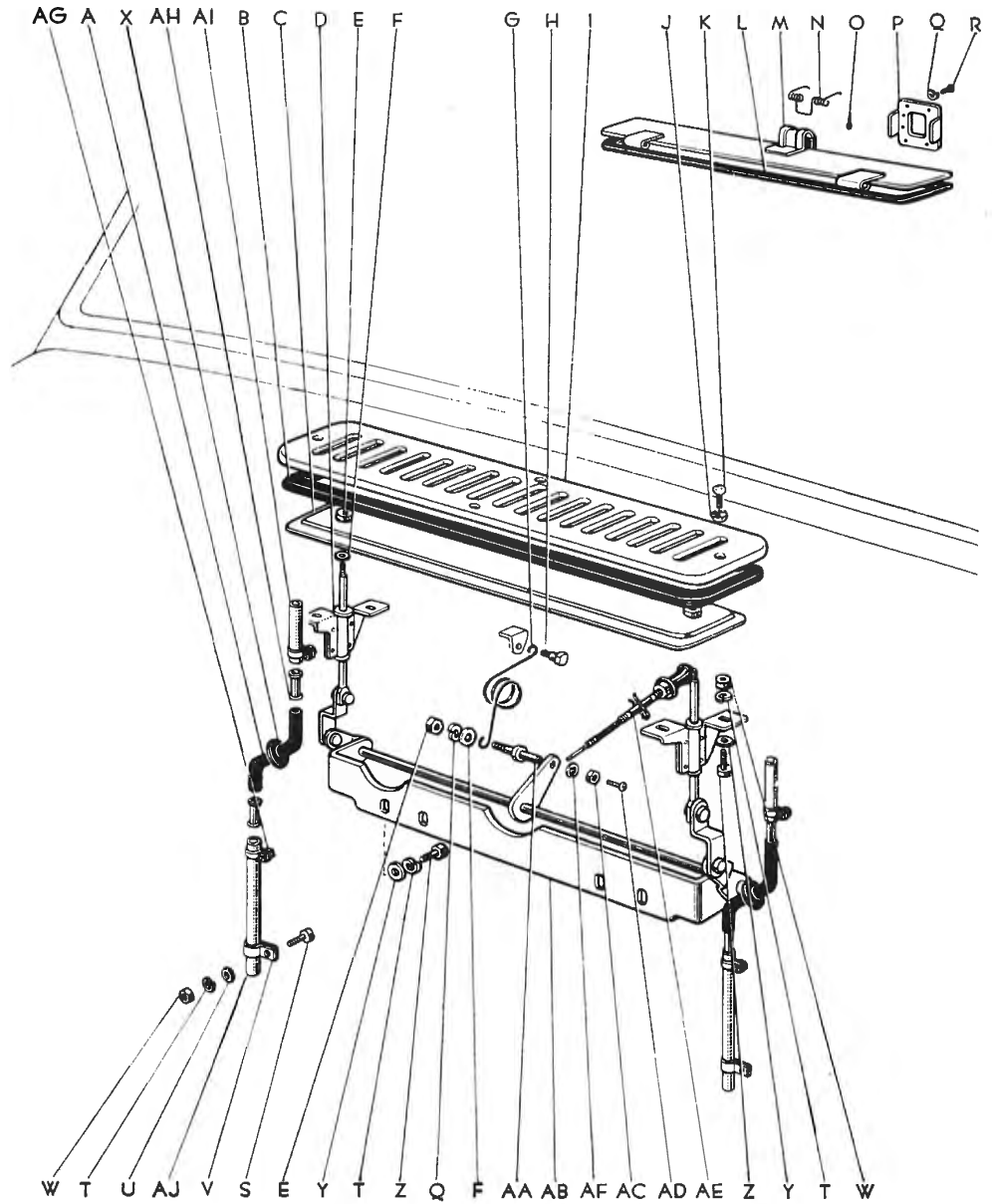
BODY

FIG.—76 VENTILATOR (FJ45V, 45LV)—Old
 (from Frame No. FJ45 21702)



B 1293-B

FIG.—76(a) VENTILATOR (FJ45V, 45LV)
 (from Frame No. FJ45 27074)



B 2735

Toyota Land Cruiser

253

ILLUS- TRATION	PART NO.	NOMENCLATURE	P E R VEHICLE	MODEL
Ventilator (FJ45V, 45LV)				
(from Frame No. FJ45-21702)				
FIG.76)				
	55810-92170	Damper assy, cowl ventilator (includes illustrations—D~H, Q, T, W, Y~AF of Fig.—76)	1	45V. LV
A	★55755-92170	Hose, rain leader	2	45V. LV
	55759-60010	Connector, ventilator drain hose-②	2	45V. LV
B	55843-92170	Weatherstrip, cowl ventilator	1	45V. LV
C	55819-92170	Damper, cowl ventilator	1	45V. LV
D	55803-92170	Bracket sub-assy, cowl ventilator damper	2	45V. LV
E	94110-40400	Nut (hex. 4—0.75p)	4	
F	94612-10400	Washer, plate (4×0.6)	4	
G	55841-92170	Spring, cowl ventilator damper	1	45V. LV
H	55842-92170	Pin, cowl ventilator damper spring	1	45V. LV
I	55712-92170	Ornament, cowl ventilator	1	45V. LV
J	94524-00400	Washer, toothed (4)	4	
K	93230-14010	Screw (oval-hd. 4—0.75p×10)	4	
L	★53835-92000	Packing, roof ventilator (Excludes U.S.A.)-①	1	45V. LV
M	★55803-92000	Lid sub-assy, roof ventilator (Excludes U.S.A.)-①	1	45V. LV
N	★63418-95000	Spring, pentroof ventilator (Excludes U.S.A.)-①	1	45V. LV
O	★90053-00500	Cushion, rubber (Excludes U.S.A.)-①	1	45V. LV
P	★53836-92000	Holder, roof ventilator spring (Excludes U.S.A.)-①	1	45V. LV
Q	94511-00400	Washer, spring (4)	1	
R	★93210-14012	Screw (rd-hd. 4—0.75p×12) (Excludes U.S.A.)	2	
S	★91111-40625	Bolt (hex-hd. 6—1.0p×25)	2	
	93180-16032	Screw (rd-hd. 6—1.0p×32)-②	2	
T	94511-00600	Washer, spring (6)	10	
U	94613-10600	Washer, plate (6×1.0)	2	
V	★90462-10004	Clamp, cable large	2	45V. LV
	90461-08111	Clamp-②	2	45V. LV
W	94110-40600	Nut (hex. 6—1.0p)	6	
X	★90480-19048	Grommet (For rain leader hose)	2	45V. LV
	90480-25125	Grommet (For rain leader hose connector)-②	2	45V. LV
Y	94613-10600	Washer, plate (6×1.0)	8	
Z	91111-40616	Bolt (hex-hd. 6—1.0p×16)	8	

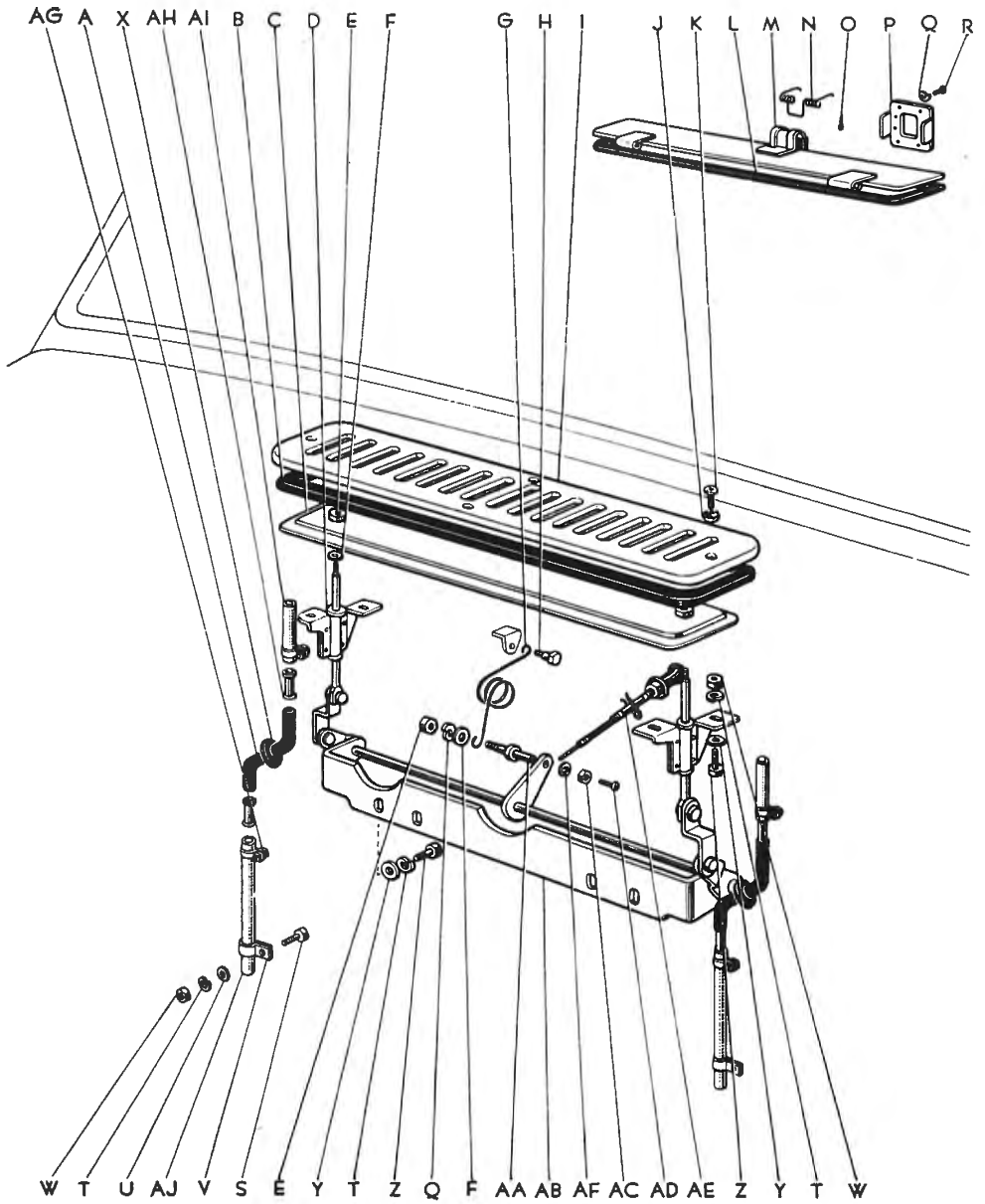
Old Part

① up to Frame No. FJ45-26309

② from Frame No. FJ45-27074

BODY

FIG. 76(a) VENTILATOR (FJ45V, 45LV)
(from Frame No. FJ45 27074)



Toyota Land Cruiser

253-2

ILLUS- TRATION	PART NO.	NOMENCLATURE	P E R VEHICLE	MODEL
FIG.76)				
AA	55814-92170	Pin, cowl ventilator control wire	1	45V, LV
AB	55801-92170	Link sub-assy, cowl ventilator damper	1	45V, LV
AC	94110-40300	Nut (hex. 3-0.6)	1	
AD	93210-13010	Screw (rd-hd. 3-0.6p×10)	1	
AE	55820-92170	Wire assy, cowl ventilator control	1	45V, LV
AF	55845-92170	Ring, shaft snap	1	45V, LV
AG	90460-23032	Clamp-①	4 (45LV=3)	45V, LV
AH	87265-60030	Connector, watar hose-①	4 (45LV=3)	45V, LV
AI	90446-20146	Hose-①	2	45V
	90446-20153	Hose-①	1	LV
AJ	90446-20154	Hose-①	2 (45LV=1)	45V, LV
	90446-20153	Hose-①	1	LV

① from Frame No. FJ45-27074

BODY

Toyota Land Cruiser

255

ILLUS- TRATION	PART NO.	NOMENCLATURE	P E R VEHICLE	MODEL
-------------------	----------	--------------	------------------	-------

Floor & Spare Wheel Carrier (FJ45V, 45LV)

(FIG.77)

A	57401-92000	Rail sub-assy, side, RH	1	45V. LV
	57402-92000	Rail sub-assy, side, LH	1	45V. LV
B	★58210-92001	Floor assy, front (includes illustrations—A, G, AG of Fig.—77)	1	45V. LV
	58210-92100	Floor assy, front-①	1	45V. LV
	★58210-92010	Floor assy, front OPT (For seat belt)-②	1	45V
	58210-92011	Floor assy, front OPT (For seat belt)-④	1	45V
	★58210-92110	Floor assy, front OPT (For seat belt)-②	1	LV
	58210-92111	Floor assy, front OPT (For seat belt)-⑤	1	LV
	★58210-92170	Floor assy, front (For U.S.A.)	1	LV
	58210-92171	Floor assy, front (For U.S.A.)-⑤	1	LV
C	74713-95010	Cushion, jack holder	1	45V. LV
D	74714-95010	Band, jack holder	1	45V. LV
E	74701-95010	Holder sub-assy, jack	1	45V. LV
F	90053-60500	Clip, spring (For jack holder cushion)	3	45V. LV
G	58217-92001	Cover, front floor 2nd crossmember	1	45V. LV
H	★58302-92001	Floor sub-assy, rear rear	1	45V. LV
	58302-92002	Floor sub-assy, rear rear-③	1	45V. LV
	★58302-92050	Floor sub-assy, rear rear OPT (For swing door)	1	45V. LV
	58302-92051	Floor sub-assy, rear rear OPT (For swing door)-③	1	45V. LV
I	58732-92000	Rubber, fuel tank inspection hole cover	1	45V. LV
J	58731-92000	Cover, fuel tank inspection hole	1	45V. LV
K	93210-16018	Screw (rd-hd. 6—1.0p×18)	2	
L	94512-00600	Washer, spring (6)	2	
M	51902-92300	Nut sub-assy, spare tire set	1	45V. LV
N	51923-92000	Plate, spare wheel	1	45V. LV
O	51910-92000	Bracket assy, spare tire set (includes illustration—M of Fig.—77)	1	45V. LV
P	91111-40825	Bolt (hex-hd. 8—1.25p×25)	4	
Q	94512-00800	Washer, spring (8)	4	
R	93210-14010	Screw (rd-hd. 4—0.75p×10)	4	
S	94512-00400	Washer, spring (4)	4	
T	58355-92000	Spring, jack handle set	2	45V. LV
U	58206-60070	Cover sub-assy, transmission	1	40V. LV. 45V. LV
	58206-92170	Cover sub-assy, transmission (For U.S.A.)	1	LV
	58206-60110	Cover sub-assy, transmission OPT (For change lever, transfer control lever & power take-off control lever A)	1	40V. LV. 45V. LV

Old Part

① from Frame No. FJ45-24696

② from Frame No. FJ45-22859

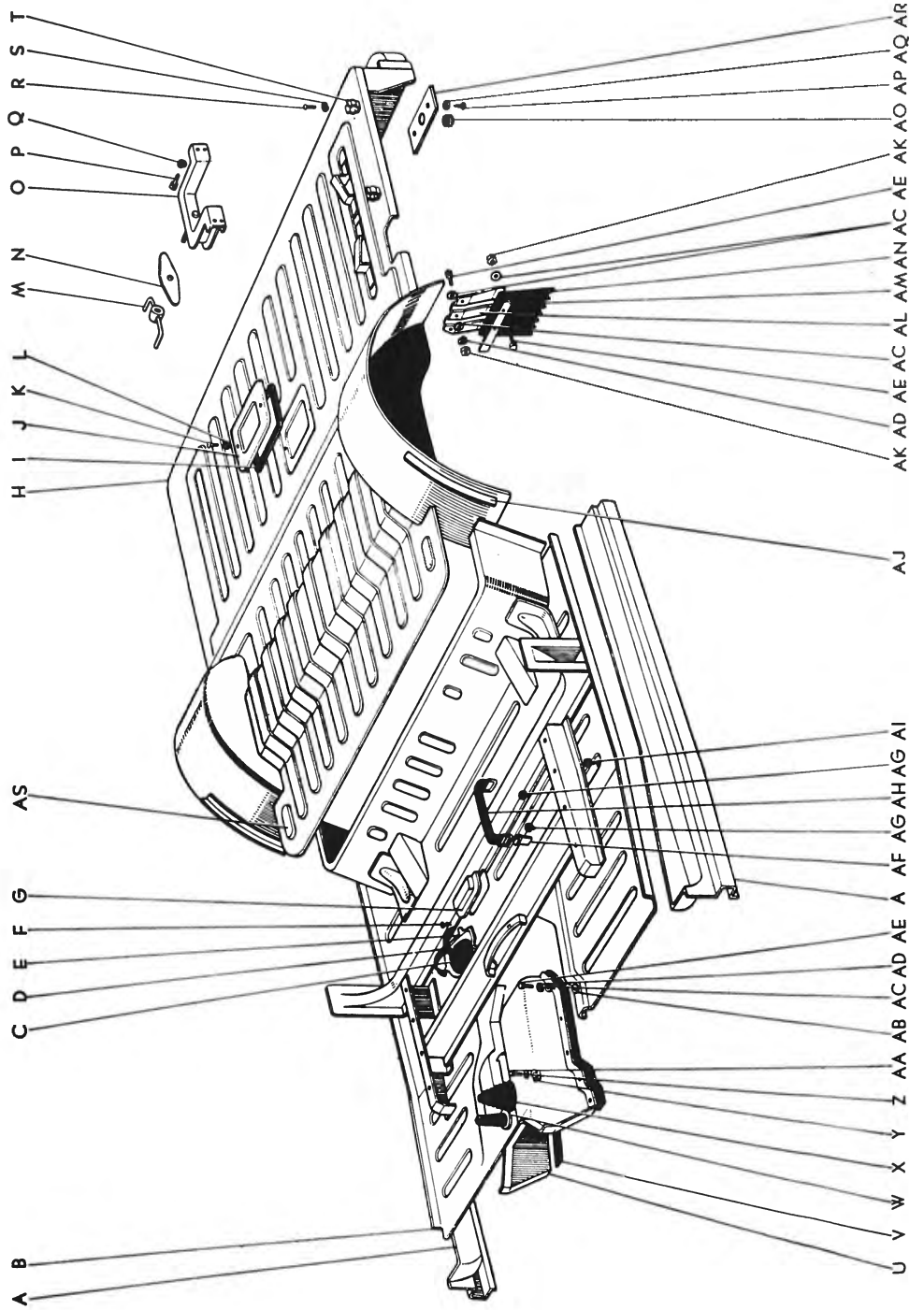
③ from Frame No. FJ45-24186

④ from Frame No. FJ45-29398

⑤ from Frame No. FJ45-29238

BODY

FIG.—77 FLOOR & SPARE WHEEL CARRIER (FJ45V, 451V)



Toyota Land Cruiser

257

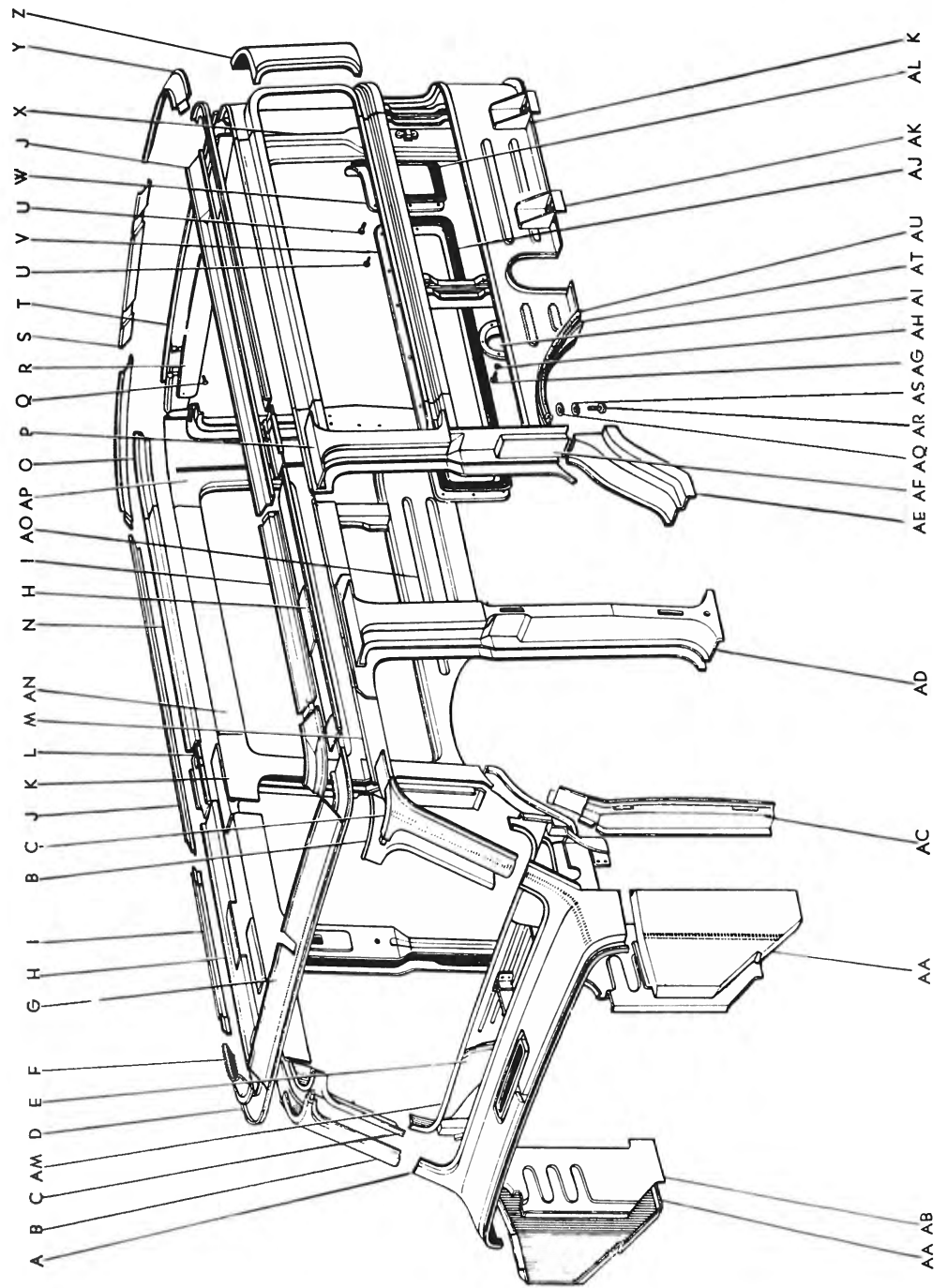
ILLUS- TRATION	PART NO.	NOMENCLATURE	P E R VEHICLE	MODEL
(FIG.77)	58206-60120	Cover sub-assy, transmission OPT (For change lever & transfer control lever)	1	40V. LV. 45V. LV
	58206-60090	Cover sub-assy, transmission OPT (For power take-off control lever A)	1	40V. LV. 45V. LV
V	58263-60010	Packing, transmission cover, A (L=630)	1	40V. LV. 45V. LV
	58264-60010	Packing, transmission cover, B (L=1040)	1	40V. LV. 45V. LV
	58265-60020	Packing, transmission cover, C (L=1025)	1	40V. LV. 45V. LV
W	58280-60020	Dust-proof assy, shifting lever hole OPT	1	40V. LV. 45V. LV
X	58273-60010	Cover, shifting lever OPT	1	40V. LV. 45V. LV
Y	58208-60011	Cover sub-assy, power take-off control lever, A OPT	1	40V. LV. 45V. LV
Z	94612-10600	Washer, plate (6×1.0)	2	
AA	91111-40614	Bolt (hex-hd. 6—1.0p×14)	2	
AB	58279-60010	Plate, transmission set	16	40V. LV. 45V. LV
AC	94613-10600	Washer, plate (6×1.0)	30	
AD	94511-00600	Washer, spring (6)	20	
AE	91111-40616	Bolt (hex-hd. 6—1.0p×16)	25	
AF	58214-92000*	Catch, tool case rear	2	45V. LV
AG	90541-10009	Cushion (Excludes U.S.A.)	4	45V. LV
AH	*75207-92000	Band sub-assy, tool case set (Replaced by 75207-92001)	1	45V. LV
	75207-92001	Band sub-assy, tool case set	1	45V. LV
AI	58761-95110	Plug, floor dust	4	45V. LV
AJ	58316-92000	Sub rail, side rail rear, LH	1	45V. LV
	58315-92000	Sub rail, side rail rear, RH	1	45V. LV
AK	94110-40600	Nut (hex. 6—1.0p)	10	
AL	*66242-92000	Plate, mudguard set retainer rear	2	45V. LV
	66242-92300	Plate, mudguard set retainer rear	2	45V. LV
AM	66243-92000	Bracket, mudguard set	2	45V. LV
AN	*66241-92000	Rubber, mudguard, rear	2	45V. LV
	66241-92310	Rubber, mudguard, rear	2	45V. LV
AO	58379-92000	Grommet	1	45V. LV
AP	93540-14016	Screw, tapping	2	
AQ	94524-00400	Washer, toothed (4)	2	
AR	58376-92000	Cover, switch	1	45V. LV
AS	*58301-92000	Floor sub-assy, rear front	1	45V. LV
	*58301-92001	Floor sub-assy, rear front	1	45V. LV
	58301-92170	Floor sub-assy, rear front (from Frame No. FJ45-24696) (Originally in use for U.S.A. only)	1	45V. LV

★ Old Part

BODY

7

FIG.—78 SIDE MEMBER (FJ45V, 45LV)



Toyota Land Cruiser

259

ILLUS- TRATION	PART NO.	NOMENCLATURE	P E R VEHICLE	MODEL
-------------------	----------	--------------	------------------	-------

Side Member (FJ45V, 45LV)

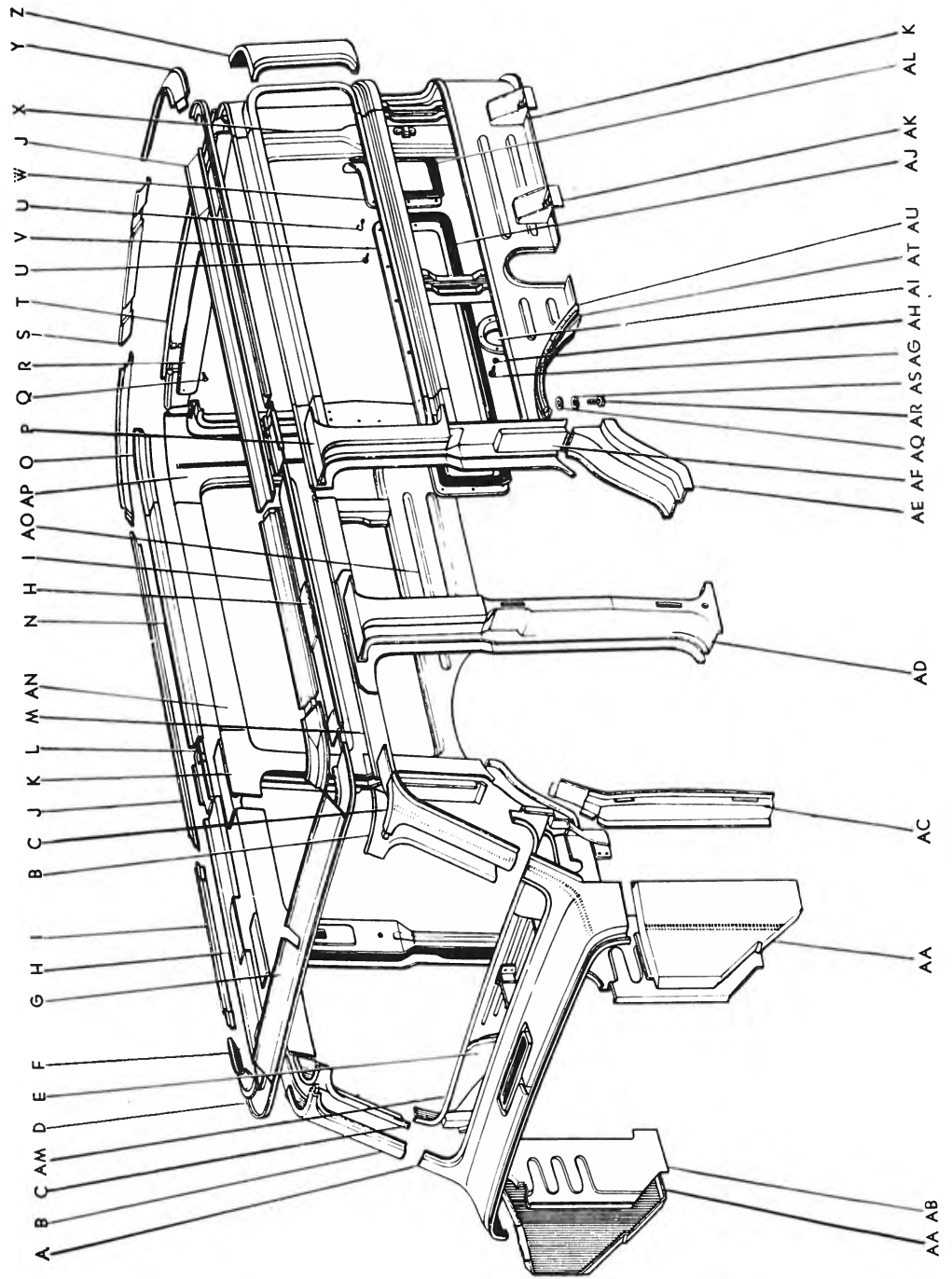
(FIG.78)

A	55701-92000	Panel sub-assy, cowl upper	1	45V
	55701-92100	Panel sub-assy, cowl upper	1	LV
	★55701-92170-1	Panel sub-assy, cowl upper (For U.S.A.)	1	LV
	55701-92170	Panel sub-assy. cowl upper (For U.S.A.)	1	LV
B	★56141-92000*	Pillar, front window side upper, RH-(Replaced by 56103-92002 on FJ45V or 56103-92102 on FJ45LV)	1	45V, LV
	56141-92001*	Pillar, front window side upper, RH-(Replaced by 56103-92004 on FJ45V or 56103-92104 on FJ45LV) (FJ45V, LV=from Frame No. FJ45-26310) (U.S.A.=from Frame No. FJ45-25774)	1	45V, LV
	★56142 92000*	Pillar, front window side upper, LH -(Replaced by 56103-92002 or 56103-92102)	1	45V, LV
	56142-92001*	Pillar, front window side upper, LH -(Replaced by 56103-92004 or 56103-92104) (FJ45V, LV=from Frame No. FJ45-26310) (U.S.A.=from Frame No. FJ45-25774)	1	45V, LV
C	56134-92001*	Pillar, front window side inner, RH -(Replaced by 56103-92004)	1	45V
	56134-92101*	Pillar, front window side inner, RH -(Replaced by 56103-92104)	1	LV
	56135-92001*	Pillar, front window side inner, LH -(Replaced by 56103-92004)	1	45V
	56135-92101*	Pillar, front window side inner, LH -(Replaced by 56103-92104)	1	LV
D	★56103-92001	Window sub-assy, front upper (includes illustrations—B, C, F, G of Fig.—78)	1	45V
	★56103-92002	Window sub-assy, front upper (from Frame No. FJ45-24316)	1	45V
	★56103-92003*	Window sub-assy, front upper -(Replaced by 56103-92004) (from Frame No. FJ45-26310)	1	45V
	56103-92004	Window sub-assy, front upper (includes illustrations—B, C, G of Fig.—78)	1	45V

↓ ★ Old Part

BODY

FIG.—78 SIDE MEMBER (FJ45V, 45LV)



Toyota Land Cruiser

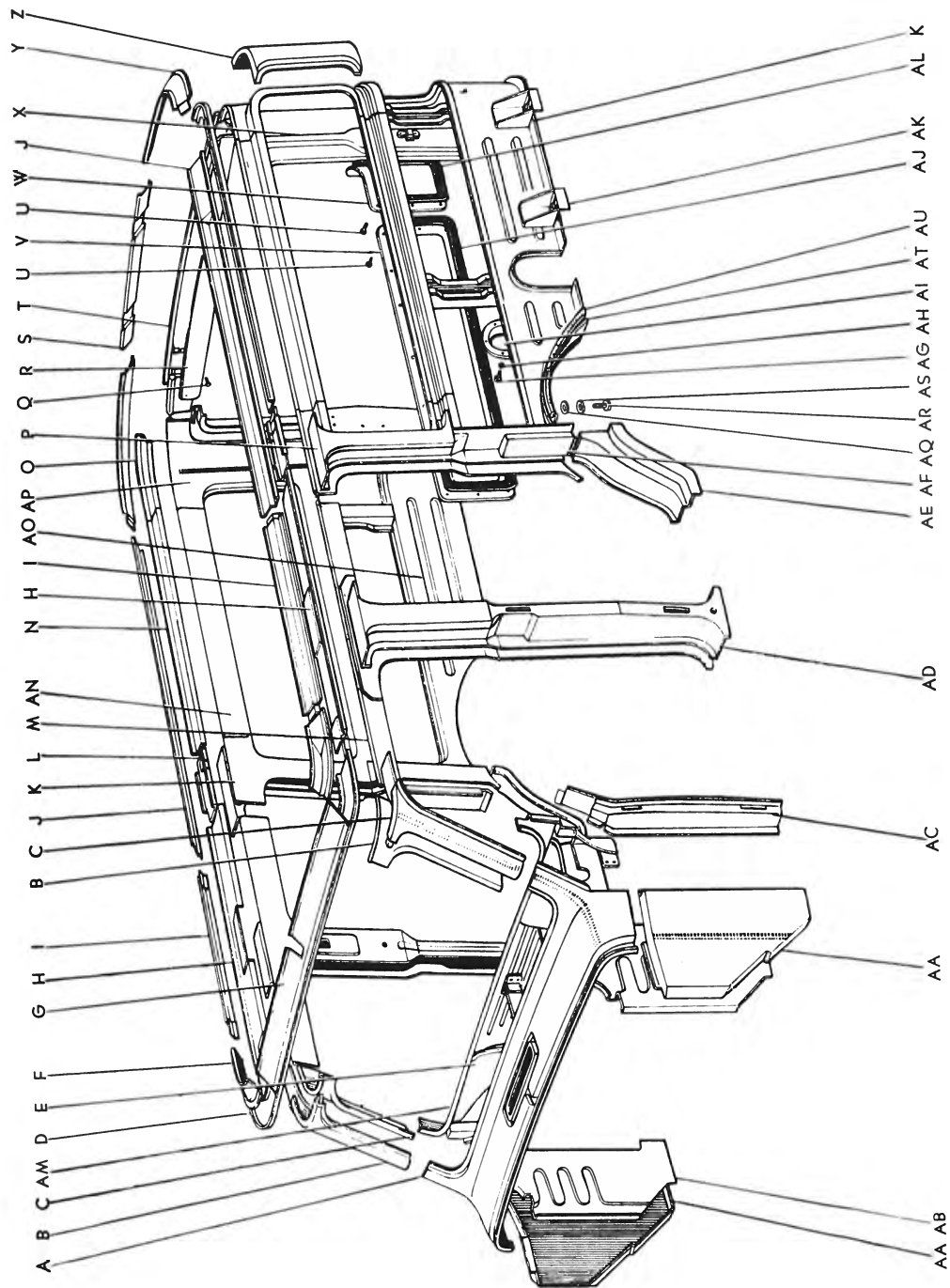
261

ILLUSTRATION	PART NO.	NOMENCLATURE	P E R VEHICLE	MODEL
G.78)				
	★56103-92101	Window sub-assy, front upper	1	LV
	★56103-92102	Window sub-assy, front upper (from Frame No. FJ45 24316)	1	LV
	★56103-92103*	Window sub-assy, front upper -(Replaced by 56103-92104) (from Frame No. FJ45 26310)	1	LV
	56103-92104	Window sub-assy, front upper (includes illustrations—B, C, G of Fig.—78)	1	LV
	56103-92174	Window sub-assy, front upper (For U.S.A.)	1	LV
	★56103-92171	Window sub-assy, front upper (For U.S.A.)	1	LV
	★56103-92172	Window sub-assy, front upper (For U.S.A.) (from Frame No. FJ45 24316)	1	LV
	56103-92173	Window sub-assy front upper (For U.S.A.) (from Frame No. FJ45-25774)	1	LV
E	★55905-92000	Nozzle sub-assy, defroster, RH	1	45V
	55905-92002	Nozzle sub-assy, defroster, LH	1	45V
	55905-92102	Nozzle sub-assy, defroster, LH	1	LV
	★55905-92101	Nozzle sub-assy, defroster, RH (For U.S.A.)	1	LV
	55905-92170	Nozzle sub-assy, defroster, RH (For U.S.A.)	1	LV
	★55906-92000	Nozzle sub-assy, defroster, LH	1	45V
	55906-92002	Nozzle sub-assy, defroster, LH	1	45V
	55906-92102	Nozzle sub-assy, defroster, LH	1	LV
	★55906-92101	Nozzle sub-assy, defroster, LH (For U.S.A.)	1	LV
	55906-92170	Nozzle sub-assy, defroster, LH (For U.S.A.)	1	LV
F	★56145-92000	Strength, front upper, RH	1	45V, LV
	56145-92001	Strength, front upper, RH (FJ45V, LV =from Frame No. FJ45 26310) (U.S.A.=from Frame No. FJ45 25774)	1	45V, LV
	★56146-92000	Strength, front upper, LH	1	45V, LV
	56146-92001	Strength, front upper, LH (FJ45V, LV =from Frame No. FJ45 26310) (U.S.A.=from Frame No. FJ45-25774)	1	45V, LV
G	★56144-92000	Strength, front upper	1	45V, LV
	★56144-92170	Strength, front upper (For U.S.A.)	1	LV
	56144-92001	Strength, front upper, (FJ45V, LV =from Frame No. FJ45-26310) (U.S.A.=from Frame No. FJ45-25774)	1	45V, LV

∩ ★ Old Part

BODY

FIG.—78 SIDE MEMBER (FJ45V, 451V)



Toyota Land Cruiser

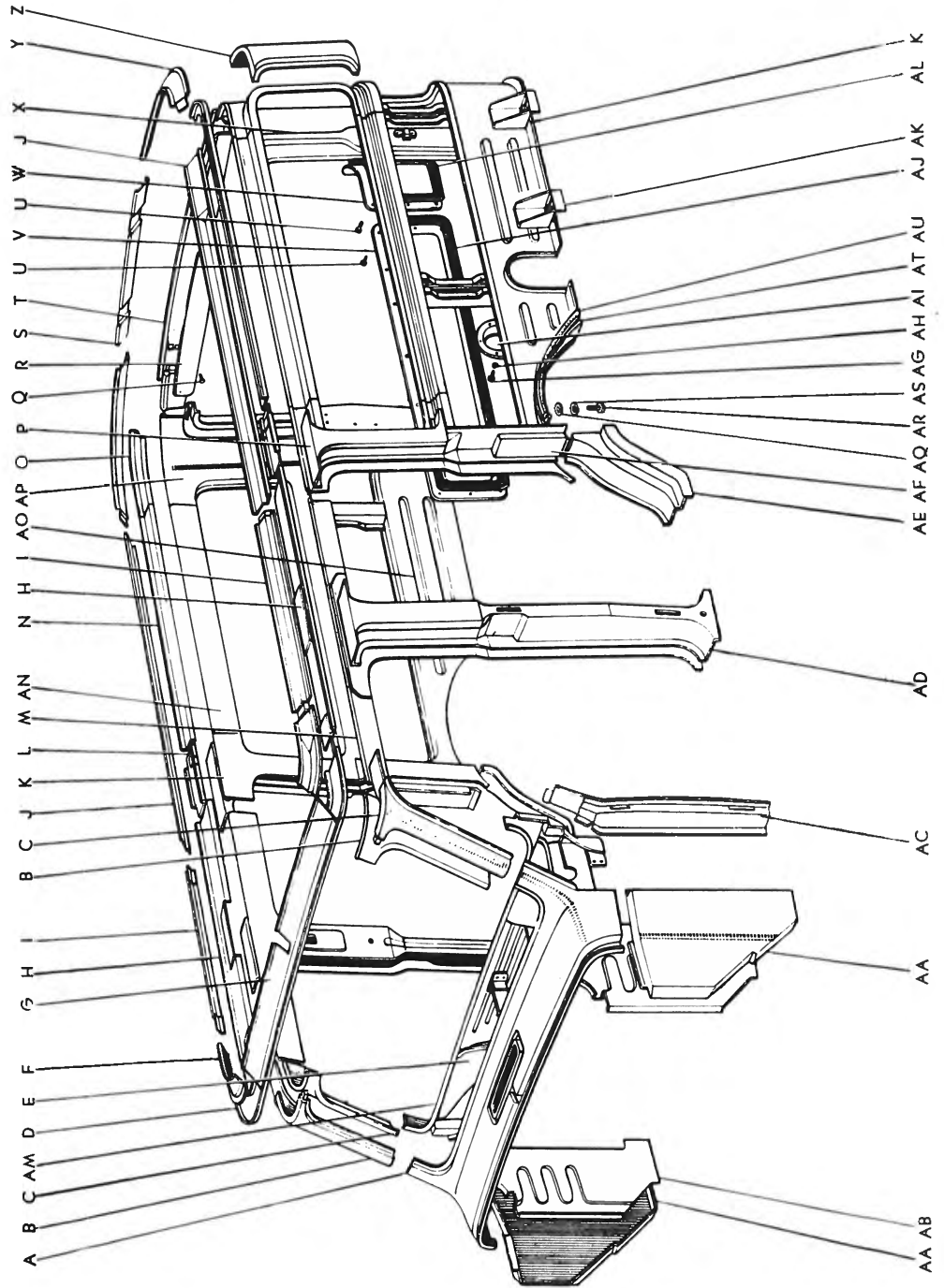
263

ILLUS- TRATION	PART NO.	NOMENCLATURE	P E R VEHICLE	MODEL
(FIG.78)				
H	61201-92000	Frame sub-assy, side front, RH (includes illustration—M of Fig.—78)	1	45V. LV
	61201-92170	Frame sub-assy, side front, RH (For U.S.A.)	1	LV
	61202-92000	Frame sub-assy, side front, LH	1	45V. LV
	61202-92170	Frame sub-assy, side front, LH (For U.S.A.)	1	LV
I	61251-92000	Frame, side upper front, RH	1	45V. LV
	61251-92170	Frame, side upper front, RH (For U.S.A.)	1	LV
	61252-92000	Frame, side upper front, LH	1	45V. LV
	61252-92170	Frame, side upper front, LH (For U.S.A.)	1	LV
J	61255-92000	Frame, side upper center, RH	1	45V. LV
	61255-92170	Frame, side upper center, RH (For U.S.A.)	1	LV
	61256-92000	Frame, side upper center, LH	1	45V. LV
	61256-92170	Frame, side upper center, LH (For U.S.A.)	1	LV
K	*61501-92000	Panel sub-assy, inside, front RH	1	45V. LV
	61501-92100	Panel sub-assy, inside, front RH (from Frame No. FJ45-24696)	1	45V. LV
	61501-92170	Panel sub-assy, inside, front RH (For U.S.A.)	1	LV
	*61502-92000	Panel sub-assy, inside, front LH	1	45V. LV
	61502-92100	Panel sub-assy, inside, front LH (from Frame No. FJ45-24696)	1	45V. LV
	61502-92170	Panel sub-assy, inside, front LH (For U.S.A.)	1	LV
L	61215-92000	Frame, side outer center, RH	1	45V. LV
	61215-92170	Frame, side outer center, RH (For U.S.A.)	1	LV
	61216-92000	Frame, side outer center, LH	1	45V. LV
	61216-92170	Frame, side outer center, LH (For U.S.A.)	1	LV
M	61232-92000*	Frame, side inner front, LH—(Replaced by 61202-92000)	1	45V. LV
	61232-92170*	Frame, side inner front, LH (For U.S.A.) —(Replaced by 61202-92170)	1	LV
	61231-92000*	Frame, side inner front, RH—(Replaced by 61201-92000)	1	45V. LV
	61231-92170*	Frame, side inner front, RH (For U.S.A.) —(Replaced by 61201-92170)	1	LV
N	61217-92000	Frame, side outside	2	45V. LV
O	61218-92000	Frame, side outside rear, RH	1	45V. LV
	61219-92000	Frame, side outside rear, LH	1	45V. LV
P	61458-92000	Panel, side upper front, LH	1	45V. LV
	61457-92000	Panel, side upper front, RH	1	45V. LV
Q	93540-13510	Screw, tapping	9	
R	64143-92000	Cover, lift gate hinge outer	1	45V. LV
S	64144-92000	Strength, rear shield upper	1	45V. LV

♠ Old Part

BODY

FIG.—78 SIDE MEMBER (FJ45V, 45LV)



Toyota Land Cruiser

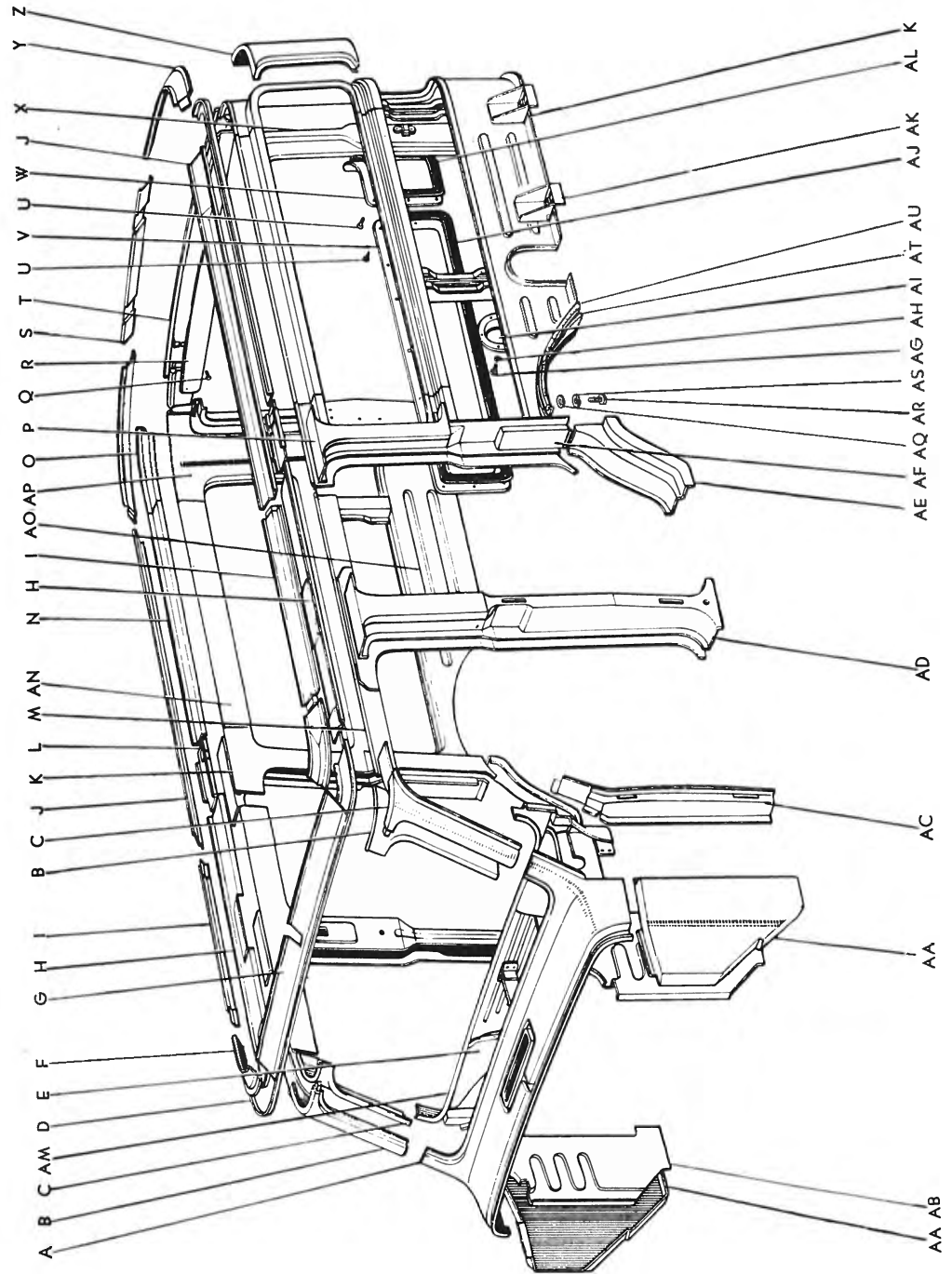
263-2

ILLUSTRATION	PART NO.	NOMENCLATURE	P E R VEHICLE	MODEL
(FIG.78)				
T	64104-92000	Shield sub-assy, rear shield (includes illustration—R of Fig.—78 and illustrations—U~X of Fig.—87)	1	45V. LV
	64100-92050	Shield assy, rear OPT (For swing door)	1	45V. LV
U	93540-14016	Screw, tapping	48	
V	62512-92001	Cover, inside panel front, LH	1	45V. LV
	62511-92000	Cover, inside panel front, RH	1	45V. LV
	61595-92000	Packing, inside panel cover-②	4	45V. LV
W	62516-92000	Cover, inside panel rear, LH	1	45V. LV
	62515-92000	Cover, inside panel rear, RH	1	45V. LV
X	61404-92000	Pillar sub-assy, rear, LH	1	45V. LV
	*61404-92050	Pillar sub-assy, rear, LH OPT (For swing door)	1	45V. LV
	61404-92051	Pillar sub-assy, rear, LH OPT (For swing door)-①	1	45V. LV
	61403-92000	Pillar sub-assy, rear, RH	1	45V. LV
	*61403-92050	Pillar sub-assy, rear, RH OPT (For swing door)	1	45V. LV
	61403-92051	Pillar sub-assy, rear, RH OPT (For swing door)-①	1	45V. LV
Y	61258-92000	Frame, side upper rear, LH	1	45V. LV
	61257-92000	Frame, side upper rear, RH	1	45V. LV
Z	61462-92000	Panel, side upper rear, LH	1	45V. LV
	61461-92000	Panel, side upper rear, RH	1	45V. LV
AA	55702-92000	Panel sub-assy, cowl side, RH	1	45V. LV
	*55702-92170-1	Panel sub-assy, cowl side, RH (For U.S.A.)	1	LV
	55702-92170	Panel sub-assy, cowl side, RH (For U.S.A.)	1	LV
	55703-92000	Panel sub-assy, cowl side, LH	1	45V. LV
AB	61121-92000	Panel, cowl side inner, RH	1	45V. LV
	61121-92170	Panel, cowl side inner, RH (For U.S.A.)	1	LV
	61122-92000	Panel, cowl side inner, LH	1	45V. LV
AC	61104-92000	Pillar sub-assy, front side, LH	1	45V. LV
	61103-92000	Pillar sub-assy, front side, RH	1	45V. LV
D	61302-92000	Pillar sub-assy, 1st side, LH	1	45V. LV
	61302-92170	Pillar sub-assy, 1st side, LH (For U.S.A.)	1	LV
	61301-92000	Pillar sub-assy, 1st side, RH	1	45V. LV
	61301-92170	Pillar sub-assy, 1st side, RH (For U.S.A.)	1	LV
E	61408-92000	Rail sub-assy, side rear, LH	1	45V. LV
	61407-92000	Rail sub-assy, side rear, RH	1	45V. LV
	61402-92000	Pillar sub-assy, 2nd side, LH	1	45V. LV
	61401-92000	Pillar sub-assy, 2nd side, RH	1	45V. LV
AG	91111-40616	Bolt (hex-hd. 6—1.0p×16)	3	
			(up to Frame No. FJ45-27649=6)	
AH	94512-00600	Washer, spring (6)	3	
			(up to Frame No. FJ45-27649=6)	

* Old Part (1) from Frame No. FJ45-25485 (2) from Frame No. FJ45-27310

BODY

FIG.—78 SIDE MEMBER (FJ45V, 45LV)



Toyota Land Cruiser

263-4

ILLUS- TRATION	PART NO.	NOMENCLATURE	P E R VEHICLE	MODEL
FIG.78)				
AI	★62518-92000	Cover, gasoline tank inlet hole	1	45V. LV
	★62518-92001	Cover, fuel inlet hose-①	1	45V. LV
	62518-92002	Cover, fuel inlet hose-④	1	45V. LV
AJ	62513-92000	Proof, inside panel front cover dust	2	45V. LV
AK	★61507-92000	Bracket sub-assy, panel	5	45V. LV
	61507-92001	Frame sub-assy, inside panel under, RH-③	1	45V. LV
	61508-92000	Frame sub-assy, inside panel under, LH-③	1	45V. LV
	61509-92000	Bracket sub-assy, inside panel under-③	1	45V. LV
AL	62517-92000	Proof, inside panel rear cover dust	2	45V. LV
AM	★55303-92000	Panel sub-assy, instrument panel upper	1	45V. LV
	55303-92171	Panel sub-assy, instrument panel upper-② (Originally in use for U.S.A. only)	1	45V. LV
	55303-92010	Panel sub-assy, instrument panel upper OPT (For tropical countries)	1	45V. LV
AN	★61510-92000	Inner assy, side, RH (includes illustrations—K, AP of Fig.—78)	1	45V. LV
	61510-92100	Inner assy, side, RH-②	1	45V. LV
	61510-92170	Inner assy, side, RH (For U.S.A.)	1	LV
	★61520-92001	Inner assy, side, LH	1	45V. LV
	61520-92100	Inner assy, side, LH-②	1	45V. LV
	61520-92170	Inner assy, side, LH (For U.S.A.)	1	LV
AO	61533-92000	Panel, inside center lower, RH	1	45V. LV
	61534-92000	Panel, inside center lower, LH	1	45V. LV
AP	★61505-92000	Panel sub-assy, inside rear, RH	1	45V. LV
	61505-92170	Panel sub-assy, inside rear, RH-②	1	45V. LV
	★61505-92051	Panel sub-assy, inside rear, RH OPT (For swing door)	1	45V. LV
	61505-92150	Panel sub-assy, inside rear, RH OPT (For swing door)-②	1	45V. LV
	★61506-92000	Panel sub-assy, inside rear, LH	1	45V. LV
	61506-92170	Panel sub-assy, inside rear, LH	1	45V. LV
	★61506-92051	Panel sub-assy, inside rear, LH OPT (For swing door)	1	45V. LV
	61506-92150	Panel sub-assy, inside rear, LH OPT (For swing door)-②	1	45V. LV
AQ	94613-10600	Washer, plate (6×1.0)	8	
AR	91111-40620	Bolt (hex-hd. 6—1.0p×20)	8	
AS	94511-00600	Washer, spring	8	
AT	58332-92000	Apron, rear tire outer, LH	1	45V. LV
	58331-92000	Apron, rear tire outer, RH	1	45V. LV
AU	58333-92000	Duster rubber, rear outer apron	1	45V. LV

★ Old Part

1 from Frame No. FJ45 24186

2 from Frame No. FJ45 24696

③ from Frame No. FJ45 27310

④ from Frame No. FJ45 27650

BODY

FIG.—79 WINDOW GLASS & PROTECTOR (FJ45V, 45LV)—Old

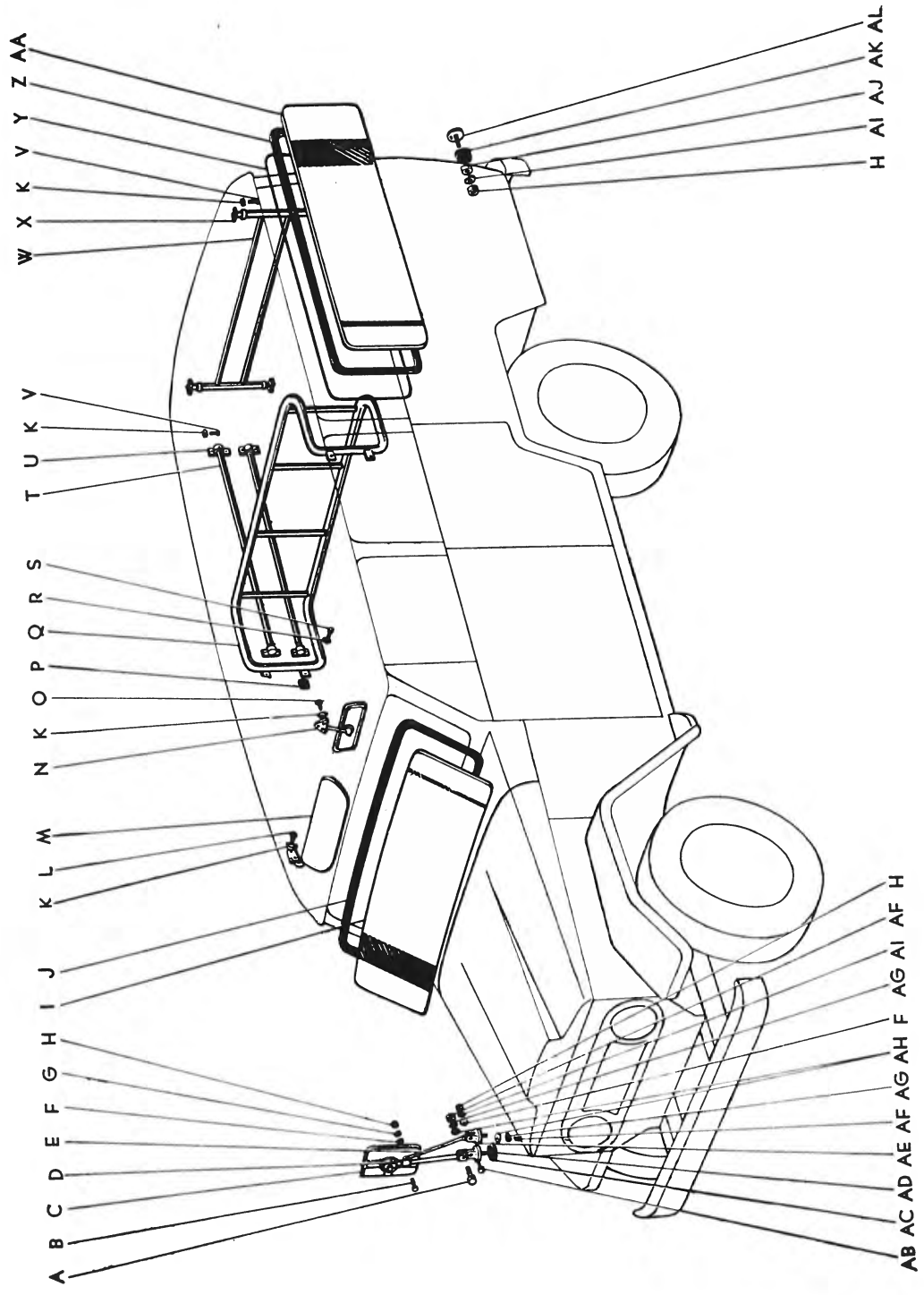
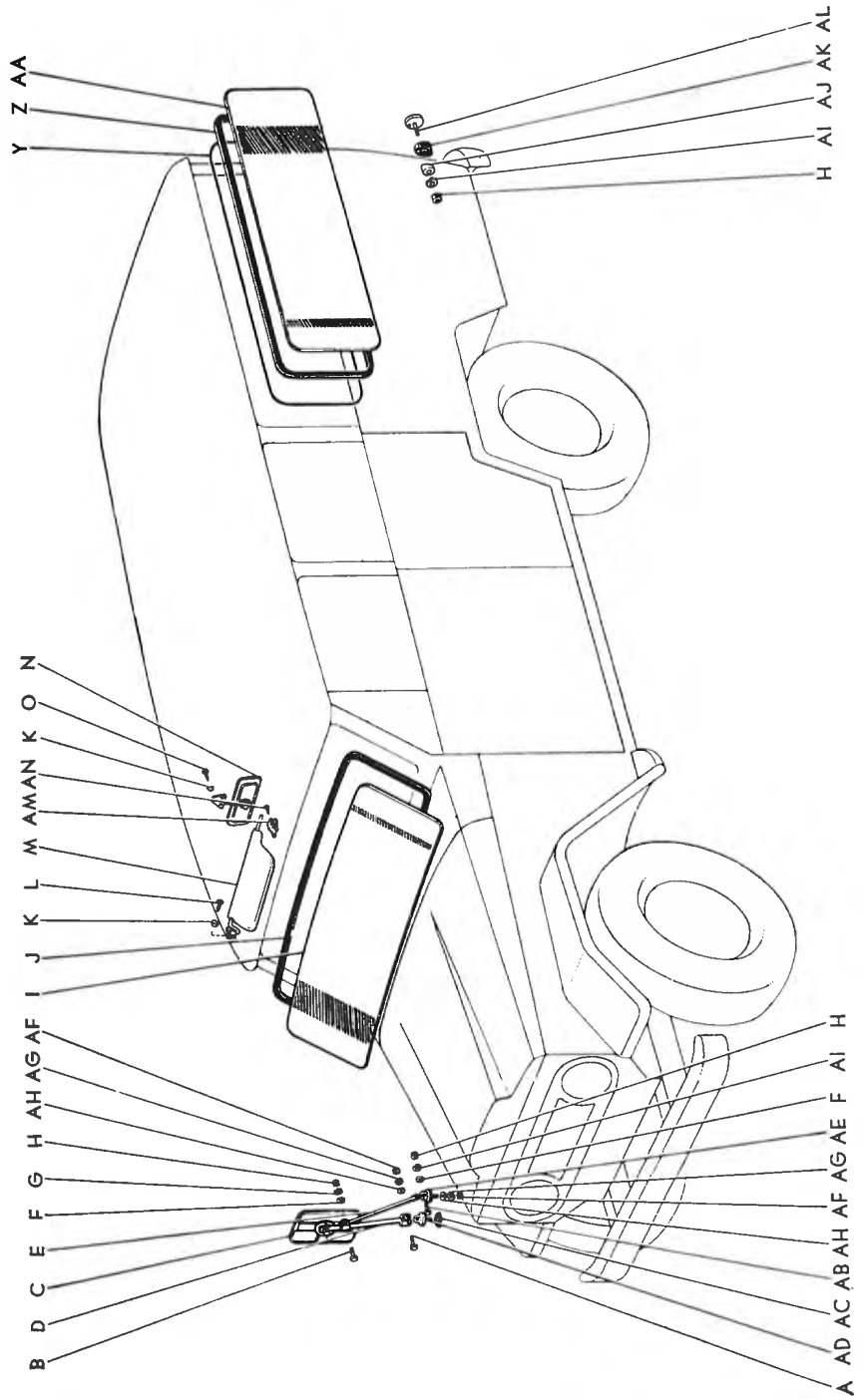


FIG.—79(a) WINDOW GLASS & PROTECTOR (FJ45V, 45LV)



Toyota Land Cruiser

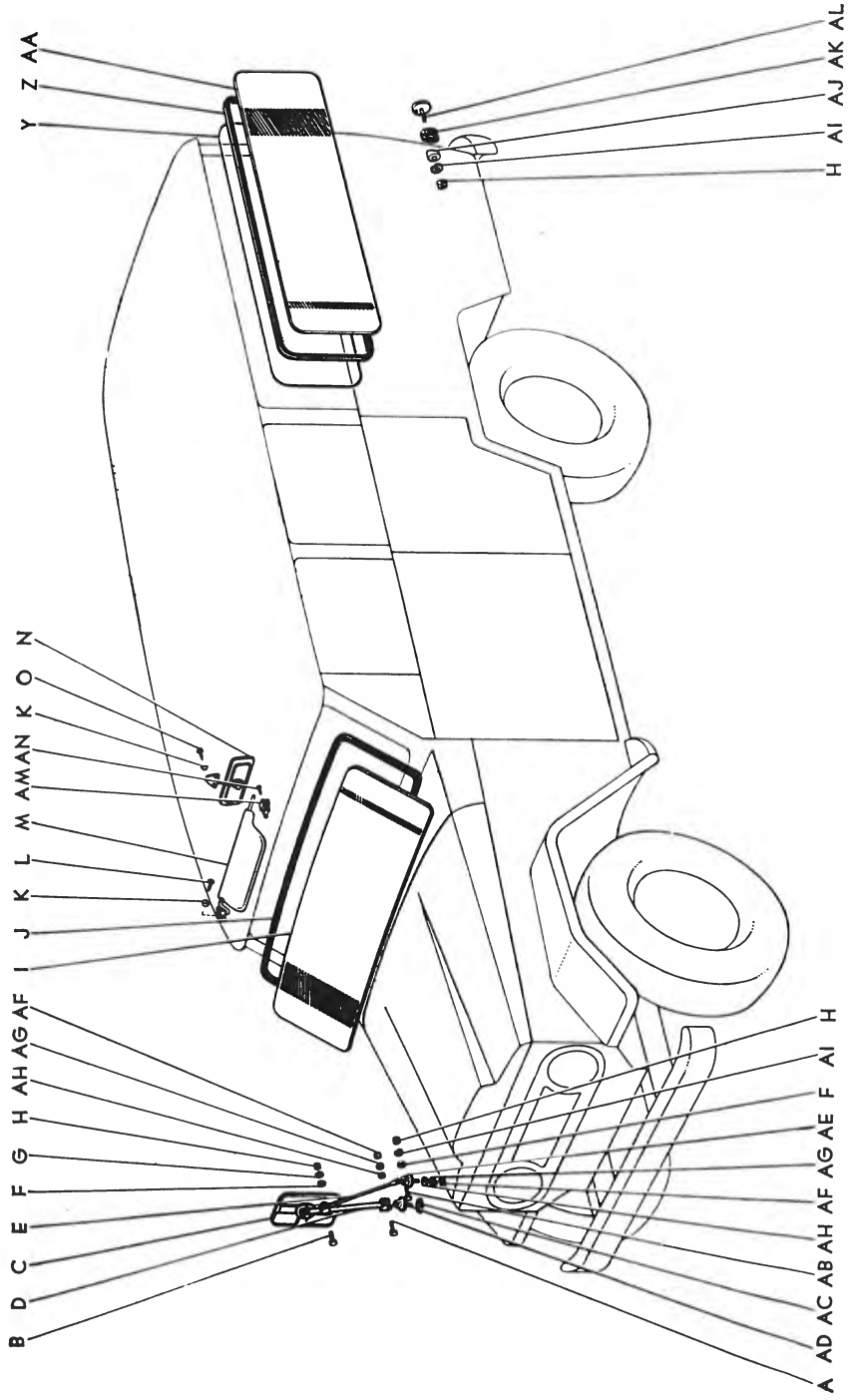
265

US- RATION	PART NO.	NOMENCLATURE	P E R VEHICLE	MODEL
Window Glass & Protector (FJ45V, 45LV)				
FIG.79)				
A	87925-92170	Pin, rear view mirror stay	1	45V, LV
J	91111-40616	Bolt (hex-hd. 6—1.0p×16)	1	
C	87901-60011	Mirror sub-assy, outer rear view	1	45V, LV
	87920-92001	Stay assy, rear view mirror (includes illustrations—A, B, D~H, AB, AD~AI of Fig.—79)	1	45V
	87920-92170	Stay assy, rear view mirror	1	LV
D	87902-92170	Stay sub-assy, rear view mirror	1	45V, LV
E	87926-92000	Stay, rear view mirror support	1	45V, LV
F	94613-10600	Washer, plate (6×1.0)	2	
G	94511-00600	Washer, spring (6)	1	
H	94110-40600	Nut (hex. 6—1.0p)	4	
I	★56111-92000*	Glass, front window—(Replaced by 56111-92001)	1	45V, LV
	★56111-92001	Glass, front window	1	45V, LV
	56111-92002	Glass, front window—(from Frame No. FJ45-26310)	1	45V, LV
J	★56121-95002*	Weatherstrip, windshield—(Replaced by 56121-92000)	1	45V, LV
	★56121-92000	Weatherstrip, windshield—(from Frame No. FJ45-26310)	1	45V, LV
	56121-92001	Weatherstrip, windshield—(from Frame No. FJ45-26310)	1	45V, LV
K	★94524-00400	Washer, toothed (4)	26	
L	93230-14012	Screw (oval-hd. 4—0.75p×12)	2	
M	★74330-92000	Visor assy (For RH)	1	45V
	74330-92001	Visor assy (For RH)—(from Frame No. FJ45-26310)	1	45V
	★74330-92100	Visor assy (For LH)	1	LV
	74330-92101	Visor assy (For LH)—(from Frame No. FJ45-26310)	1	LV
N	★78310-91336	Mirror assy, rear view inside (up to Frame No. FJ45-24315)	1	45V, LV
	87810-60011	Mirror assy, rear view inside	1	45V, LV
O	93230-14010	Screw (oval-hd. 4—0.75p×10)	3	
P	★74815-92000	Pad, separator adjust—(up to Frame No. FJ45-24695)	4	45V, LV
Q	★74810-92001	Separator assy—(up to Frame No. FJ45-24695)	1	45V, LV
R	★94613-10800	Washer, plate (8×1.6)	4	
S	★91111-40825	Bolt (hex-hd. 8—1.25p×25)	4	
T	★62781-92000	Bar, side window upper—(up to Frame No. FJ45-24695)	2	45V, LV
	★62782-92000	Bar, side window lower—(up to Frame No. FJ45-24695)	2	45V, LV

★ Old Part

BODY

FIG.—79(a) WINDOW GLASS & PROTECTOR (FJ45Y, 45LV)



Toyota Land Cruiser

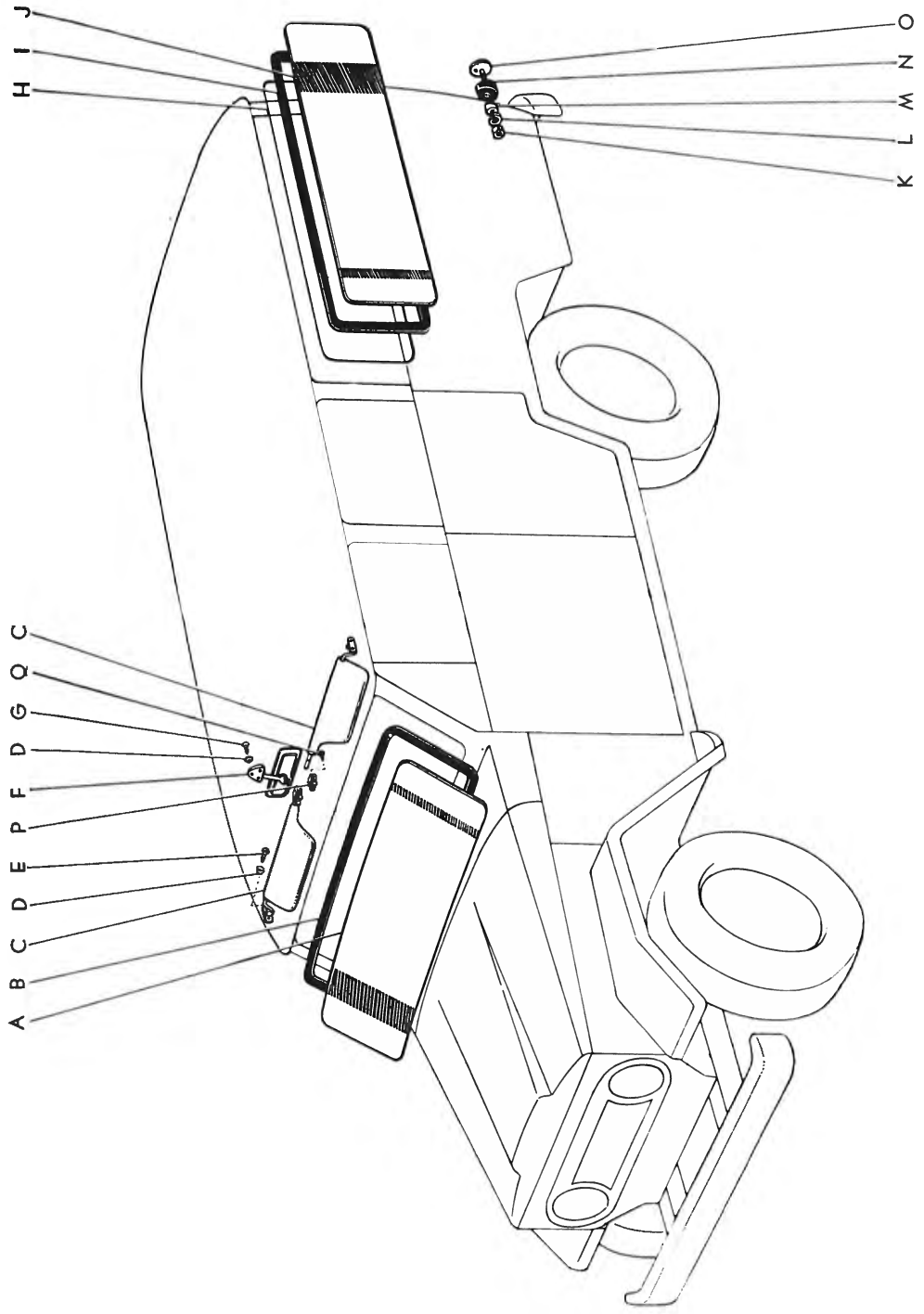
267

ILLUS- TRATION	PART NO.	NOMENCLATURE	P E R VEHICLE	MODEL
(FIG.79)				
U	★62784 92000	Bracket, side window protector bar rear, RH (up to Frame No. FJ45 24695)	2	45V. LV
	★62785 92000	Bracket, side window protector bar rear, LH (up to Frame No. FJ45 24695)	2	45V. LV
	★62783 92000	Bracket, side window protector pipe (up to Frame No. FJ45 24695)	4	45V. LV
V	★93230 24016	Screw (oval-hd. 4—0.75p×16, cr-pltd.)	24	
W	★68404 92000	Bar sub-assy, lift gate protector (up to Frame No. FJ45 24695)	1	45V. LV
X	★68443 92000	Bracket, lift gate protector bar (up to Frame No. FJ45 24695)	4	45V. LV
Y	62742-92000	Weatherstrip, side window rubber inner	2	45V. LV
Z	62741-92000	Rubber, side window	2	45V. LV
AA	★62711-92000	Glass, side window (Replaced by 62711-92001)	2	45V. LV
	62711-92001	Glass, side Window	2	45V. LV
AB	91111-40620	Bolt (hex-hd. 6—1.0p×20)	1	
AC	87914-92170	Pad, rear view mirror stay bracket	2	45V. LV
AD	87923-92170	Bolt, rear view mirror set	2	45V. LV
AE	87922-92170	Bracket, rear view mirror support stay	1	45V. LV
	87921-92170	Bracket, rear view mirror stay	1	45V. LV
AF	94110-40800	Nut (hex. 8—1.25p)	3	
AG	94511-00800	Washer, spring (8)	3	
AH	94612-10800	Washer, plate (8×1.6)	3	
AI	94512-00600	Washer, spring (6)	2	
AJ	81913-92000	Piece, reflex reflector even	2	45V. LV
AK	81912-92000	Packing, reflex reflector, LH	1	45V. LV
	81911-92000	Packing, reflex reflector, RH	1	45V. LV
AL	81910-25010	Reflector assy, reflex (includes illustrations—H, AI of Fig.—79)	2	45V. LV
AM	74307-92000	Hanger assy, visor—(from Frame No. FJ45 26310)	1	45V. LV
AN	93210-15016	Screw (rd-hd. 5—0.9p×16)	1	

★ Old Part

BODY

FIG.—80 WINDOW GLASS & VISOR (FJ45LV, For U.S.A)



Toyota Land Cruiser

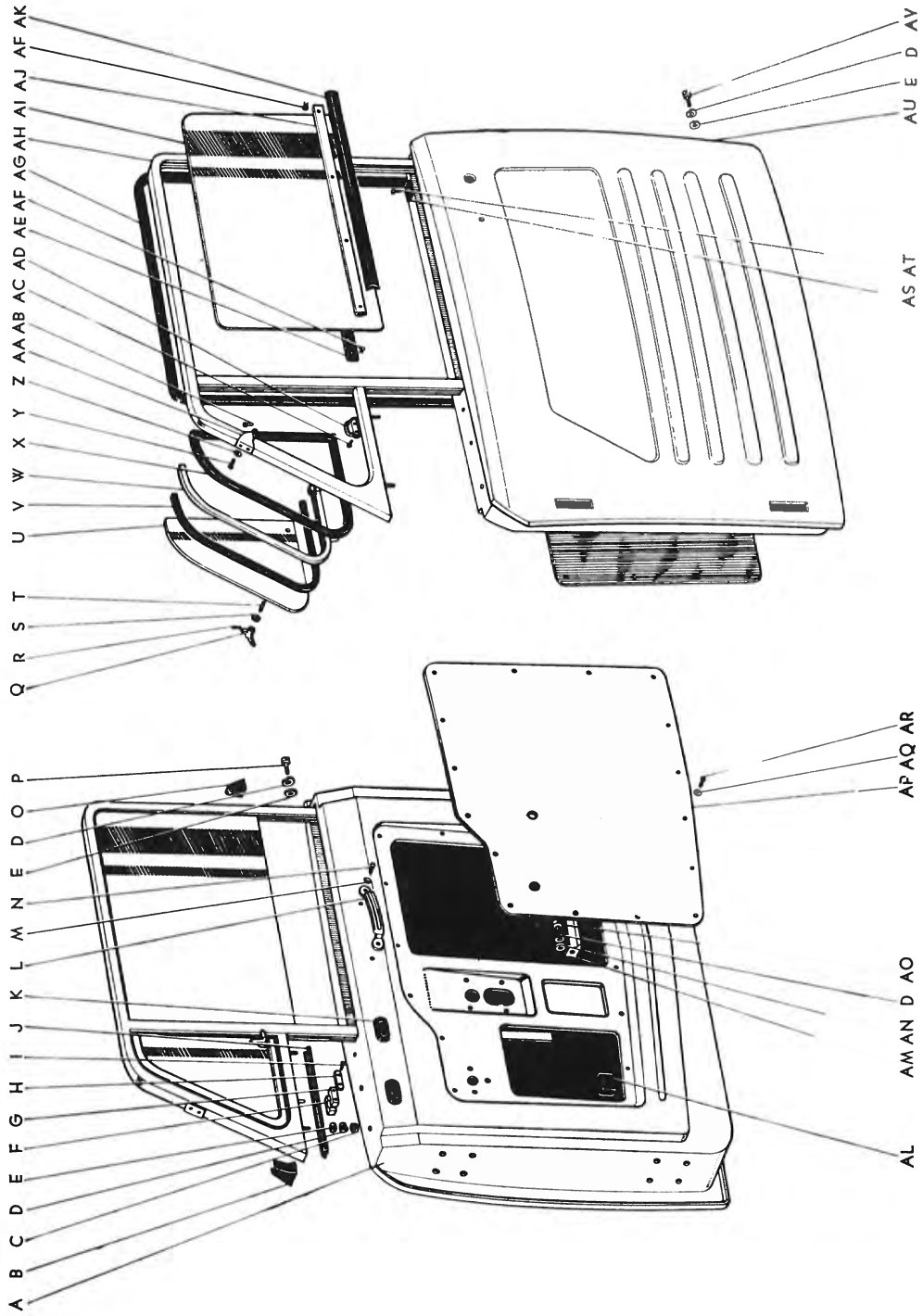
269

ILLUS- TRATION	PART NO.	NOMENCLATURE	P E R VEHICLE	MODEL
Window Glass & Visor (FJ45LV, For U.S.A)				
(FIG.80)				
A	★56111-92170	Glass, front window (Replaced by 56111-92171)	1	LV
	★56111-92171	Glass, front window	1	LV
	56111-92172	Glass, front window (from Frame No. FJ45-25774)	1	LV
B	★56121-95002	Weatherstrip, windshield (Replaced by 56121-92000)	1	LV
	★56121-92000	Weatherstrip, windshield (up to Frame No. FJ45-25773)	1	LV
	56121-92001	Weatherstrip, windshield	1	45V. LV
C	★74330-92000	Visor assy (For RH)	1	45V. LV
	74330-92001	Visor assy (For RH) (from Frame No. FJ45-25774)	1	45V. LV
	★74330-92100	Visor assy (For LH)	1	LV
	74330-92101	Visor assy (For LH) (from Frame No. FJ45-25774)	1	LV
D	★94524-00400	Washer, toothed (4)	9	
E	93230-14012	Screw (oval-hd. 4—0.75p×12)	6	
F	★78310-91336	Mirror assy, rear view inside	1	45V. LV
	87810-60011	Mirror assy, rear view inside	1	45V. LV
G	93230-14010	Screw (oval-hd. 4—0.75p×10) (from Frame No. FJ45-24316)	3	
H	62742-92000	Weatherstrip, side window rubber inner	2	45V. LV
I	62741-92000	Rubber, side window	2	45V. LV
J	★62711-92170	Glass, side window (Replaced by 62711-92001)	2	45V. LV
	62711-92001	Glass side window	2	45V. LV
K	94110-40600	Nut (hex. 6—1.0p)	2	
L	94512-00600	Washer, spring (6)	2	
M	81913-92000	Piece, reflex reflector even	2	45V. LV
N	81912-92000	Packing, reflector, LH	1	45V. LV
	81911-92000	Packing, reflex reflector, RH	1	45V. LV
O	81910-25010	Reflector assy, reflex (includes illustrations—K, L of Fig.—80)	2	45V. LV
P	74307-92000	Hanger assy, visor (from Frame No. FJ45-25774)	2	45V. LV
Q	93210-15016	Screw (rd-hd. 5—0.9p×16)	2	

★ Old Part

BODY

FIG.—81 FRONT DOOR & WINDOW GLASS (F145V, 45LV)—Old



Toyota Land Cruiser

271

ILLUS- TRATION	PART NO.	NOMENCLATURE	P E R VEHICLE	MODEL
Front Door & Window Glass (FJ45V, 45LV)				
(FIG.81)				
	★67100-92000	Door assy, front, RH (includes illustrations—A~J, L~AL, AO~AV of Fig.—81 and illustrations—A~X, AD~AU, AY, BA~BC of Fig.—83)	1	45V. LV
	★67100-92001*	Door assy, front, RH (Replaced by 67100-92002)-①	1	45V. LV
	67100-92002	Door assy, front, RH ②	1	45V. LV
	★67200-92000	Door assy, front, LH (includes illustrations—A~J, L~AL, AO~AV of Fig.—81 and illustrations—A~C, F~T, V~X, AD, AF~AR, AT~BD of Fig.—83)	1	45V. LV
	★67200-92001*	Door assy, front, LH (Replaced by 67200-92002)-①	1	45V. LV
	67200-92002	Door assy, front, LH ②	1	45V. LV
	★67110-92000	Door sub-assy, front, RH (includes illustrations—A, D, E, P, AH, AU of Fig.—83)	1	45V. LV
	★67110-92001	Door sub-assy, front, RH ①	1	45V. LV
	67110-92002	Door sub-assy, front, RH ②	1	45V. LV
	★67120-92000	Door sub-assy, front, LH	1	45V. LV
	★67120-92001	Door sub-assy, front, LH ①	1	45V. LV
	67120-92002	Door sub-assy, front, LH ②	1	45V. LV
A	★67104-92000*	Panel sub-assy, front door, inner RH (Replaced by 67110-92000)	1	45V. LV
	★67104-92001*	Panel sub-assy, front door, inner RH (Replaced by 67110-92001)-①	1	45V. LV
	67104-92002*	Panel sub-assy, front door, inner RH (Replaced by 67110-92002)-②	1	45V. LV
	★67105-92000*	Panel sub-assy, front door, inner LH (Replaced by 67120-92000)	1	45V. LV
	★67105-92001*	Panel sub-assy, front door, inner LH (Replaced by 67120-92001)-①	1	45V. LV
	67105-92002*	Panel sub-assy, front door, inner, LH (Replaced by 67120-92002)-②	1	45V. LV
B	★67216-92001*	Spacer, door belt line front, LH (Replaced by 67216-92002)	1	45V. LV
	67216-92002	Spacer, door belt line front, LH	1	45V. LV
	★67215-92001*	Spacer, door belt line front, RH (Replaced by 67215-92002)	1	45V. LV
	67215-92002	Spacer, door belt line front, RH	1	45V. LV

★ Old Part

① from Frame No. FJ45-24186

② from Frame No. FJ45-26215

BODY

FIG.—81(a) FRONT DOOR & WINDOW GLASS (FJ45V, 45LV)

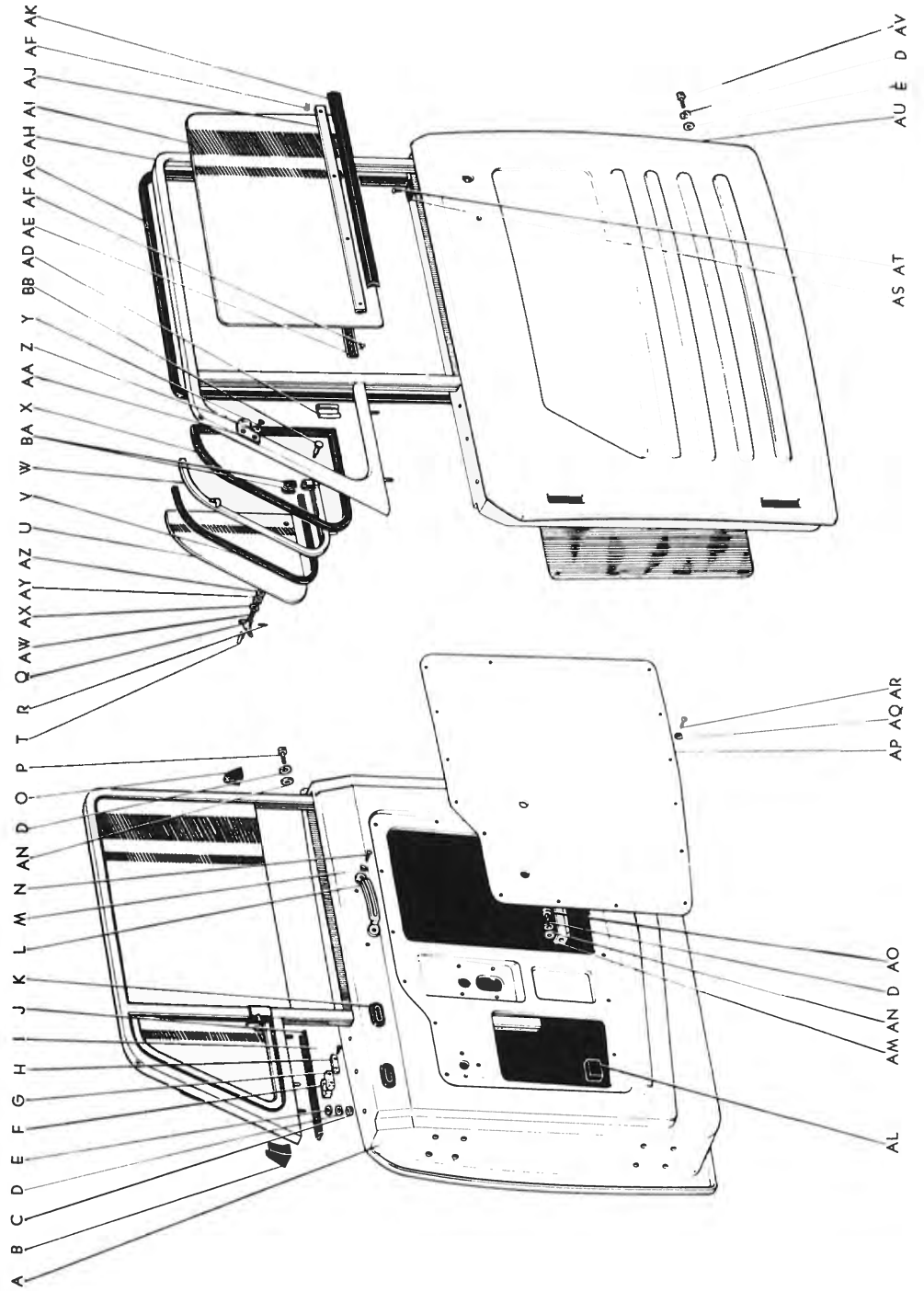
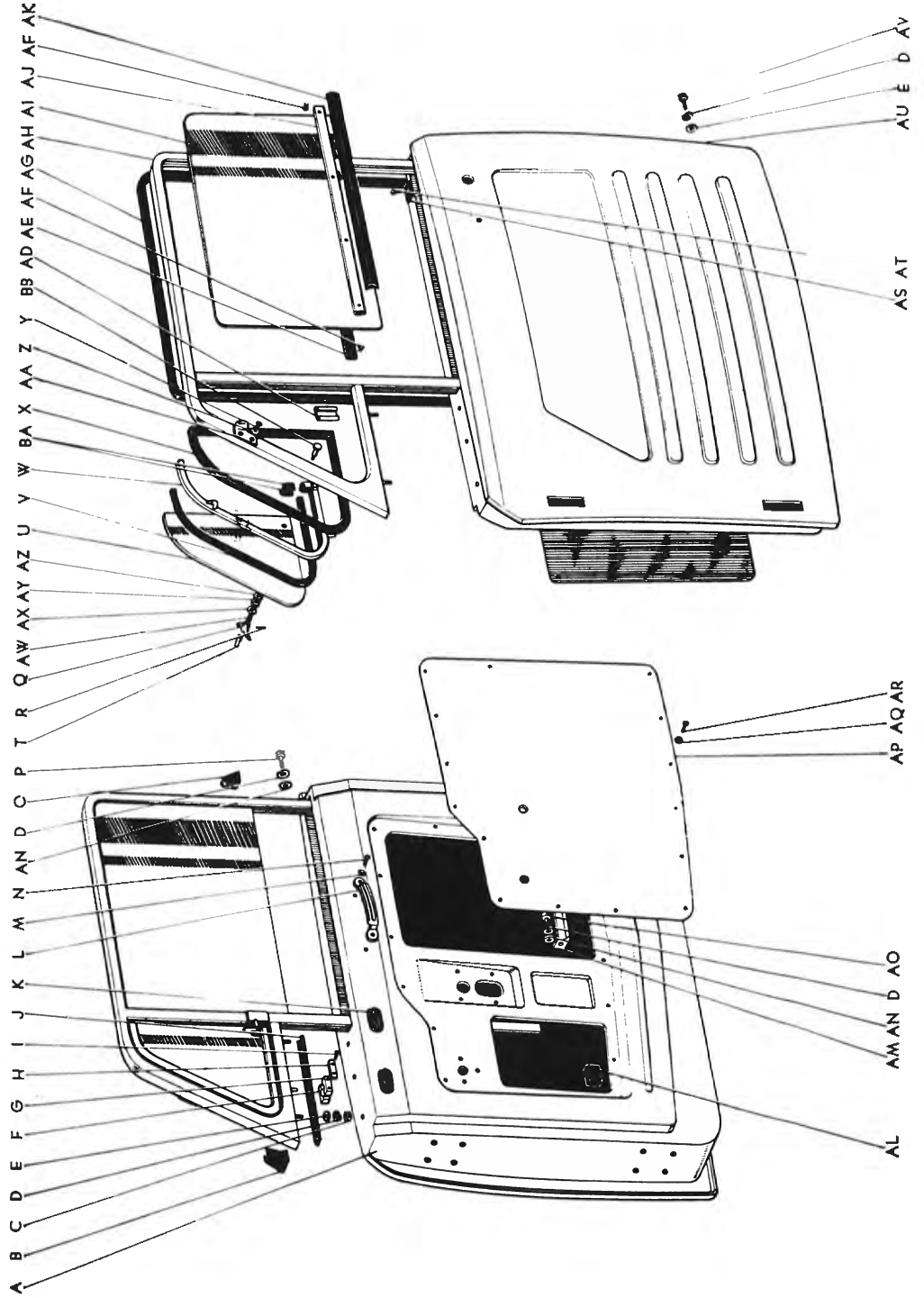


FIG.—81(a) FRONT DOOR & WINDOW GLASS (FJ45V, 451V)



Toyota Land Cruiser

273

ILLUS- TRATION	PART NO.	NOMENCLATURE	P E R VEHICLE	MODEL
(FIG.81)				
C	94110-40600	Nut (hex. 6-1.0p)	4	
D	94511-00600	Washer, spring (6)	6	
E	94612-10600	Washer, plate (6×1.0)	6	
F	67553-92000	Holder, front door ventilator, outer	2	45V. LV
G	67554-92000	Holder, front door ventilator, inner	2	45V. LV
H	67555-92000	Plate, front door ventilator holder	2	45V. LV
I	93210-16016	Screw (rd-hd. 6-1.0p×16)	4	
J	67451-92000	Packing, front door glass channel, lower	2	45V. LV
K	*67849-95100	Cover, door window frame service hole-③	4	45V. LV
L	*65523-91301*	Handle, door inside pull-(Replaced by 69285-95400)	2	45V. LV
	69285-95400	Handle, pull-①	2	45V. LV
M	*94524-00600	Washer, toothed (6)	4	
	94511-00600	Washer, spring (6)	4	
N	*93230-26016	Screw (oval-hd. 6-1.0p×16, cr-pltd.)	4	
	93210-16016	Screw (rd-hd. 6-1.0p×16)	4	
O	*67217-92001*	Spacer, door belt line, rear RH	2	45V. LV
	67217-92002	Spacer, door belt line, rear RH	2	45V. LV
	67218-92001	Spacer, door belt line, rear LH	2	45V. LV
	67218-92002	Spacer, door belt line, rear LH	2	45V. LV
P	91111-40640	Bolt (hex-hd. 6-1.0p×40)	2	
Q	*67547-92000	Handle, front door ventilator, LH	1	45V. LV
	67562-95400	Handle, door ventilating window, LH ②	1	45V. LV
	*67546-92000	Handle, front door ventilator, RH	1	45V. LV
	67561-95400	Handle, door ventilating window, RH ②	1	45V. LV
R	*67551-92000	Pin, front door ventilator lock handle	2	45V. LV
	67563-95400	Pin, door ventilating window handle set ②	2	45V. LV
S	*67552-92000	Washer, front door ventilator lock handle ④	2	45V. LV
T	*67549-92000	Shaft, front door ventilator lock handle	2	45V. LV
	67564-95400	Button, door ventilating window handle ②	2	45V. LV
U	*68121-92000	Glass, front door ventilator	2	45V. LV
	68121-92001	Glass, front door ventilator lock handle	2	45V. LV
	68121-92002	Glass, front door ventilator lock handle	2	45V. LV
V	68183-92000	Rubber, front door glass	2	45V. LV

★ Old Part

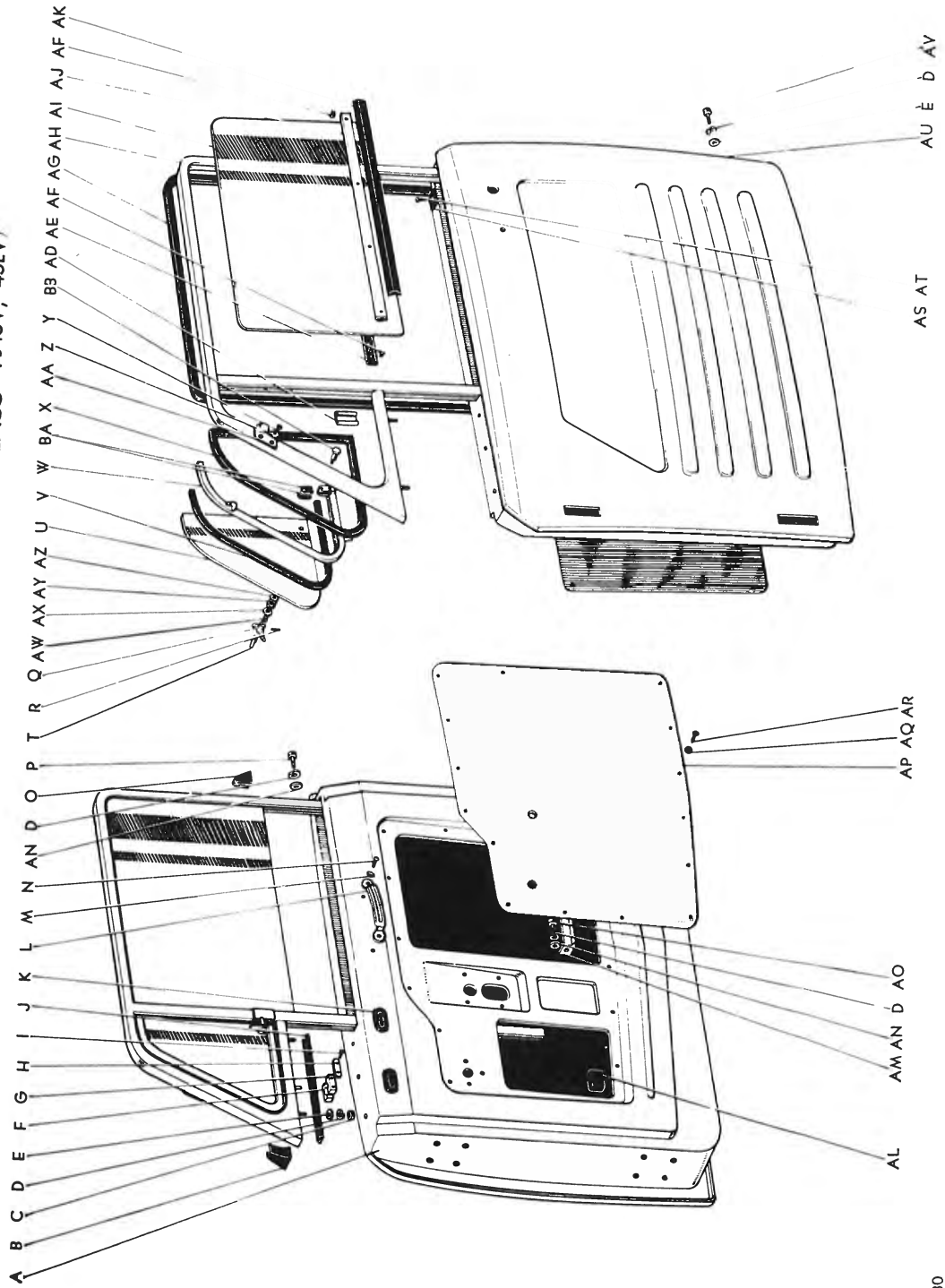
(1) from Frame No. FJ45 26215 (2) from Frame No. FJ45 22728

(3) up to Frame No. FJ45 27950 (4) up to Frame No. FJ45 22727

↓

BODY

FIG.—81(a) FRONT DOOR & WINDOW GLASS (FJ45V, 45LV)



Toyota Land Cruiser

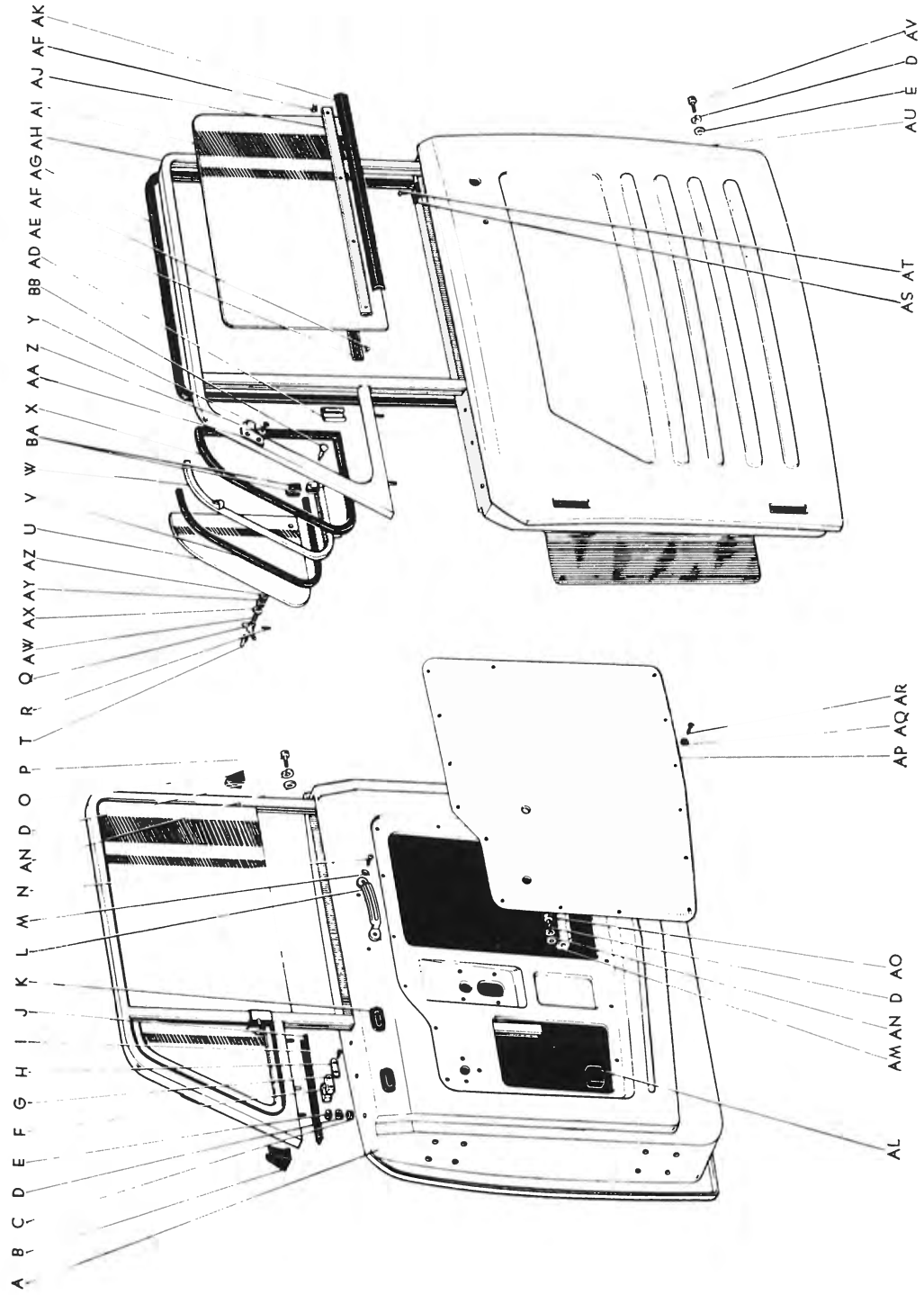
275

ILLUS- TRATION	PART NO.	NOMENCLATURE	P E R VEHICLE	MODEL
(FIG.81)				
W	★67502-92000	Frame sub-assy, front door ventilator, LH (up to Frame No. FJ45-22727) (includes illustrations—Q~T of Fig.—81)	1	45V. LV
	67502-92002	Frame sub-assy, front door ventilator, LH	1	45V. LV
	★67501-92000	Frame sub-assy, front door ventilator, RH (up to Frame No. FJ45-22727)	1	45V. LV
	67501-92002	Frame sub-assy, front door ventilator, RH	1	45V. LV
X	68181-92000	Rubber, front ventilator window glass hold, RH	1	45V. LV
	68182-92000	Rubber, front ventilator window glass hold, LH	1	45V. LV
Y	93220-14008	Screw (fl-hd. 4—0.75p×8)	8	
Z	94524-00400	Washer, toothed (4)	8	
AA	★67542-92000	Pivot, front door ventilator, upper LH (up to Frame No. FJ45-22727)	1	45V. LV
	67542-92001	Pivot, vent window, LH	1	45V. LV
	★67541-92000	Pivot, front door ventilator, upper RH (up to Frame No. FJ45-22727)	1	45V. LV
	67541-92001	Pivot, vent window, RH	1	45V. LV
AB	★95111-00405	Rivet (up to Frame No. FJ45-22727)	2	
AC	★93230-14008	Screw (oval-hd. 4—0.75p×8) (up to Frame No. FJ45-22727)	4	
AD	★67422-92000	Check, front door ventilator lock, LH (up to Frame No. FJ45-22727)	1	45V. LV
	★67421-92000	Check, front door ventilator lock, RH (up to Frame No. FJ45-22727)	1	45V. LV
	★67471-92001	Plate, front vent window handle lock —(Replaced by 67471-92002)	2	45V. LV
	67471-92002	Plate, front vent window handle lock	2	45V. LV
AE	67213-92000	Proof, front door glass oscillate	2	45V. LV
AF	90053-60501	Clip, spring	44	45V. LV
AG	68141-92001	Run, front door glass, short	2	45V. LV
	★68142-92000	Run, front door glass, long (Replaced by 68142-92001)	2	45V. LV
	68142-92001	Run, front door glass, long	2	45V. LV
	★67420-92000	Channel assy, front door glass, LH (includes illustrations—F~I, Q~AD, AH of Fig.—81)	1	45V. LV
	67420-92002	Channel assy, front door glass, LH (from Frame No. FJ45-22728) (includes illustrations—F~I, Q, R, T~AA, AD, AH, AW~BB of Fig.—81)	1	45V. LV
	★67410-92000	Channel assy, front door glass, RH	1	45V. LV
	67410-92002	Channel assy, front door glass, RH (from Frame No. FJ45-22728)	1	45V. LV

★ Old Part

BODY

FIG.—81(a) FRONT DOOR & WINDOW GLASS (FJ45V, 45LV)



Toyota Land Cruiser

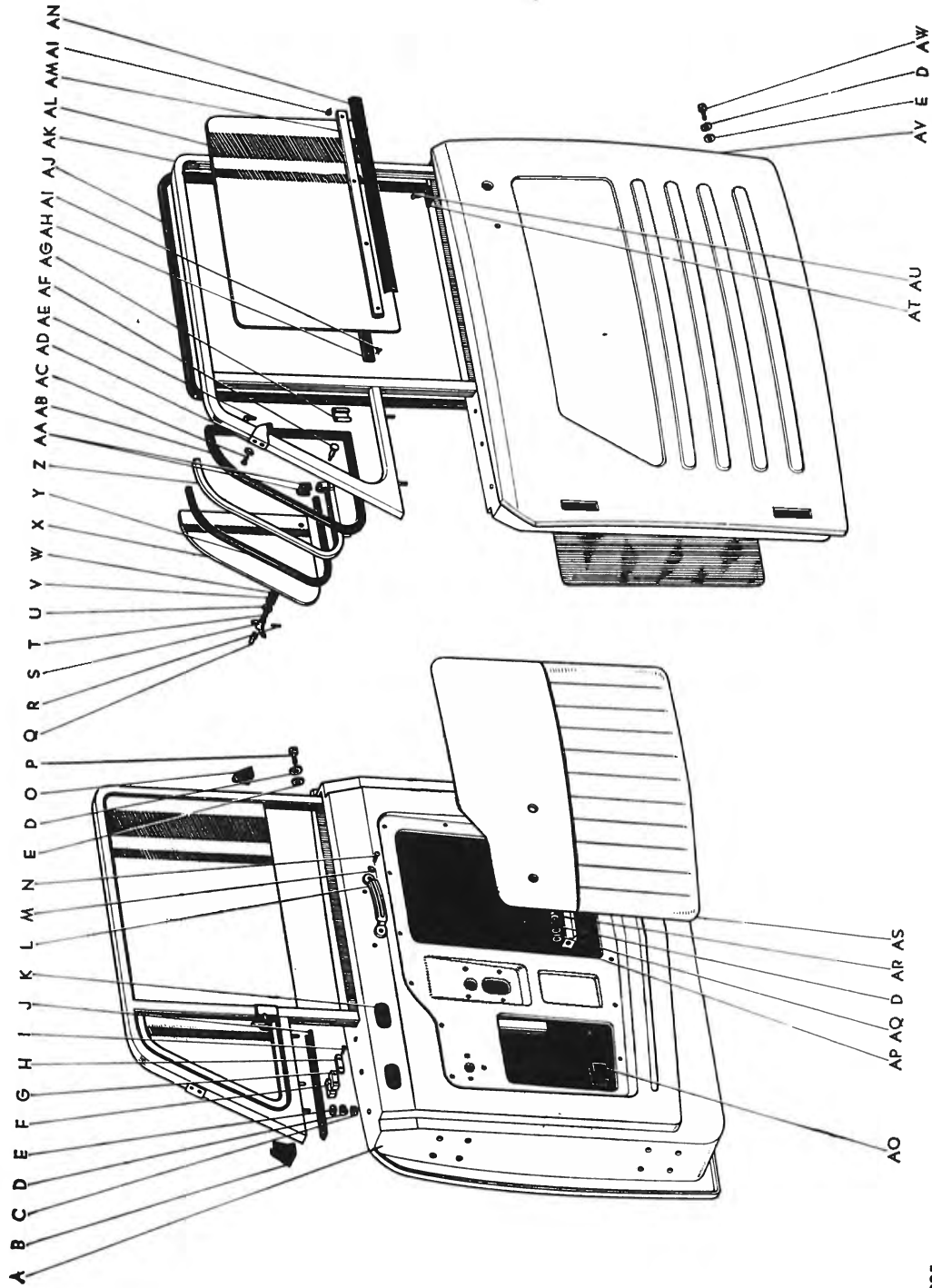
275-2

ILLUS- TRATION	PART NO.	NOMENCLATURE	P E R VEHICLE	MODEL
(FIG.81)				
AH	★67402-92000*	Channel sub-assy, front door glass, LH -(Replaced by 67420-92000) (includes illustrations—F~I, Q~T, W, Y~AD of Fig.—81)	1	45V. LV
	67402-92002*	Channel sub-assy, front door glass, LH -(Replaced by 67420-92002) (from Frame No. FJ45-22728) (includes illustrations—F~I, W, Y~AA, of Fig.—81)	1	45V. LV
	★67401-92000*	Channel sub-assy, front door glass, RH -(Replaced by 67410-92000)	1	45V. LV
	67401-92002*	Channel sub-assy, front door glass, RH -(Replaced by 67410-92002) (from Frame No. FJ45-22728)	1	45V. LV
AI	★68111-92000*	Glass, front door-(Replaced by 68111-92001)	2	45V. LV
	68111-92001	Glass, front door	2	45V. LV
AJ	67212-92001	Plate, front door glass cleaner	2	45V. LV
AK	67211-92000	Rubber, front door glass cleaner	2	45V. LV
AL	67219-92000	Rubber, door open stopper silencer	2	45V. LV
AM	67109-92000	Stopper sub-assy, front door glass	2	45V. LV
AN	94613-10600	Washer, plate (6×1.0)	8	
AO	91111-40616	Bolt (hex-hd. 6—1.0p×16)	4	
AP	67611-92000	Board, front door trim, RH	1	45V. LV
	67612-92000	Board, front door trim, LH	1	45V. LV
AQ	90207-05003	Washer, rosette	30	45V. LV
AR	93530-14014	Screw, tapping	30	
AS	68172-92000	Rubber, door glass down stopper	2	45V. LV
AT	93530-14020	Screw, tapping	4	
AU	67112-92000*	Panel, front door outer, LH-(Replaced by 67120-92002)	1	45V. LV
	67111-92000*	Panel, front door outer, RH-(Replaced by 67110-92002)	1	45V. LV
AV	91111-40610	Bolt (hex-hd. 6—1.0p×10)	4	
AW	90501-05014	Spring, compression-(from Frame No. FJ45-22727)	2	45V. LV
AX	90206-09011	Washer, wave-(from Frame No. FJ45-22727)	2	45V. LV
AY	90013-70001	Nut, hexagon-(from Frame No. FJ45-22727)	2	45V. LV
AZ	90013-80002	Washer-(from Frame No. FJ45-22727)	2	45V. LV
BA	67517-95400	Grommet, door ventilating window handle (from Frame No. FJ45-22727)	2	45V. LV
BB	69994-91336	Shaft, front vent window handle (from Frame No. FJ45-22727)	2	45V. LV

★ Old Part

BODY

FIG.—82 FRONT DOOR & WINDOW GLASS (F145LV, For U.S.A.)—Old



Toyota Land Cruiser

277

ILLUS- TRATION	PART NO.	NOMENCLATURE	P E R VEHICLE	MODEL
-------------------	----------	--------------	------------------	-------

Front Door & Window Glass (FJ45LV, For U.S.A.)

(FIG.82)

★67100-92170	Door assy, front, RH (includes illustrations—A~J, L~AO, AR~AW of Fig.—82 and illustrations—A~X, AD~AU, AY, BA~BC of Fig.—83)	1	LV
★67100-92171*	Door assy, front, RH—(Replaced by 67100-92172)—①	1	LV
67100-92172	Door assy, front, RH—②	1	LV
★67200-92170	Door assy, front, LH (includes illustrations—A~J, L~AO, AR~AW of Fig.—82 and illustrations—A~C, F~T, V~X, AD, AF~AR, AT~BD of Fig.—83)	1	LV
★67200-92171*	Door assy, front, LH—(Replaced by 67200-92172)	1	LV
67200-92172	Door assy, front, LH—②	1	LV
★67110-92170	Door sub-assy, front, RH (includes illustrations—A, D, E, P, AK, AV of Fig.—82)	1	LV
★67110-92171*	Door sub-assy, front, RH—(Replaced by 67110-92172)—①	1	LV
67110-92172	Door sub-assy, front, RH—②	1	LV
★67120-92170	Door sub-assy, front, LH	1	LV
★67120-92171*	Door sub-assy, front, LH—(Replaced by 67120-92172)—①	1	LV
67120-92172	Door sub-assy, front, LH—②	1	LV
A ★67104-92170*	Panel sub-assy, front door, inner RH —(Replaced by 67110-92170)	1	LV
★67104-92171*	Panel sub-assy, front door, inner RH —(Replaced by 67110-92171)—①	1	LV
67104-92172*	Panel sub-assy, front door, inner RH —(Replaced by 67110-92172)—②	1	LV
★67105-92170*	Panel sub-assy, front door, inner LH —(Replaced by 67120-92170)	1	LV
★67105-92171*	Panel sub-assy, front door, inner LH —(Replaced by 67120-92001)—①	1	LV
67105-92172*	Panel sub-assy, front door, inner LH —(Replaced by 67120-92002)—②	1	LV
B ★67216-92001*	Spacer, door belt line front, LH —(Replaced by 67216-92002)	1	45V. LV
67216-92002	Spacer, door belt line front, LH	1	45V. LV
★67215-92001*	Spacer, door belt line front, RH —(Replaced by 67215-92002)	1	45V. LV
67215-92002	Spacer, door belt line front, RH	1	45V. LV

★ Old Part

① from Frame No. FJ45-24186

② from Frame No. FJ45-26215

↳

BODY

FIG. 82(a) FRONT DOOR & WINDOW GLASS (FJ45LV, For U.S.A.)

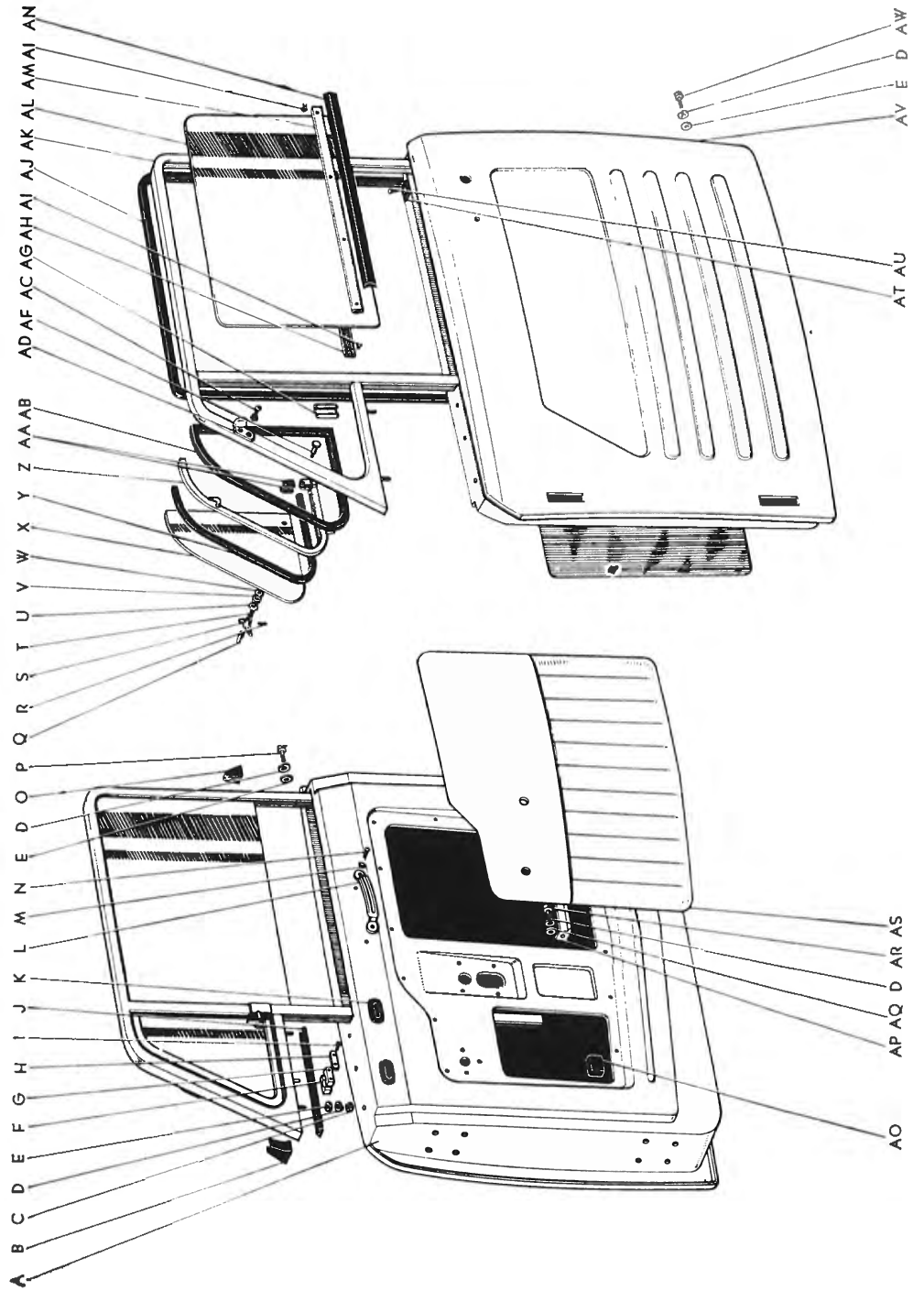
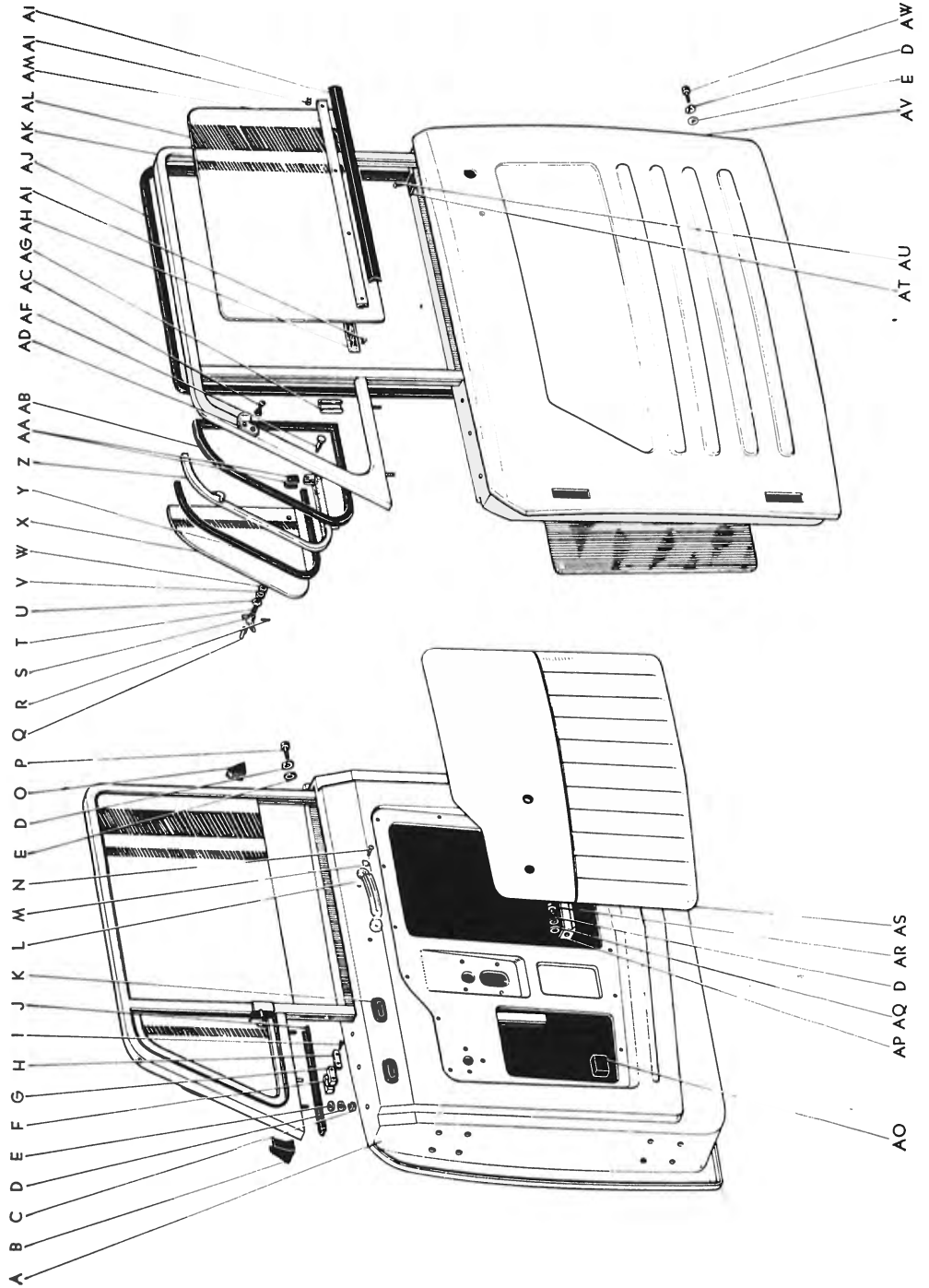


FIG.—82(a) FRONT DOOR & WINDOW GLASS (FJ451V, For U.S.A.)



Toyota Land Cruiser

279

ILLUS- TRATION	PART NO.	NOMENCLATURE	P E R VEHICLE	MODEL
(FIG.82)				
C	94110-40600	Nut (hex. 6-1.0p)	4	
D	94511-00600	Washer, spring (6)	6	
		(up to Frame No. FJ45-27799=10)		
E	94612-10600	Washer, plate (6×1.0)	6	
F	67553-92000	Holder, front door ventilator, outer	2	45V. LV
G	67554-92000	Holder, front door ventilator, inner	2	45V. LV
H	67555-92000	Plate, front door ventilator holder	2	45V. LV
I	93210-16016	Screw (rd-hd. 6-1.0p×16)	4	
J	67451-92000	Packing, front door glass channel, lower	2	45V. LV
K	★67849-95100	Cover, door window frame service hole-③	4	45V. LV
L	★65523-91301*	Handle, door inside pull-(Replaced by 69285-95400)	2	45V. LV
	69285-95400	Handle, pull-①	2	45V. LV
M	★94524-00600	Washer, toothed (6)	4	
	94511-00600	Washer, spring (6)	4	
N	★93230-26016	Screw (oval-hd. 6-1.0p×16, cr-pltd.)	4	
	93210-16016	Screw (rd-hd. 6-1.0p×16)	4	
O	★67217-92001*	Spacer, door belt line, rear RH		
		-(Replaced by 67217-92002)	2	45V. LV
	67217-92002	Spacer, door belt line, rear RH	2	45V. LV
	★67218-92001*	Spacer, door belt line, rear LH		
		-(Replaced by 67218-92002)	2	45V. LV
	67218-92002	Spacer, door belt line, rear LH	2	45V. LV
P	91111-40640	Bolt (hex-hd. 6-1.0p×40)	2	
Q	67564-95400	Button, door ventilating window handle	2	LV
R	67563-95400	Pin, door ventilating window handle set	2	LV
S	67562-95400	Handle, door ventilating window, LH	1	LV
	67561 95400	Handle, door ventilating window, RH	1	LV
T	90501-05014	Spring, compression	2	LV
U	90206-09011	Washer, wave	2	LV
V	90013-70001	Nut, hexagon	2	LV
W	90013-80002	Washer	2	LV
X	★68121-92170*	Glass, front door ventilator-(Replaced by 68121-92002)	2	LV
	68121-92002	Glass, front door ventilator	2	45V. LV
Y	68183-92000	Rubber, front door glass	2	45V. LV
Z	★67502-92001	Frame sub-assy, front door ventilator, LH	1	LV
	67502-92002	Frame sub-assy, front door ventilator, LH-②	1	45V. LV
	★67501-92001	Frame sub-assy, front door ventilator, RH	1	LV
	67501-92002	Frame sub-assy, front door ventilator, RH-②	1	45V. LV
AA	★67553-92001	Pad, front vent window handle shaft plate	4	LV
	67517-95400	Grommet, door ventilating window handle-②	2	45V. LV

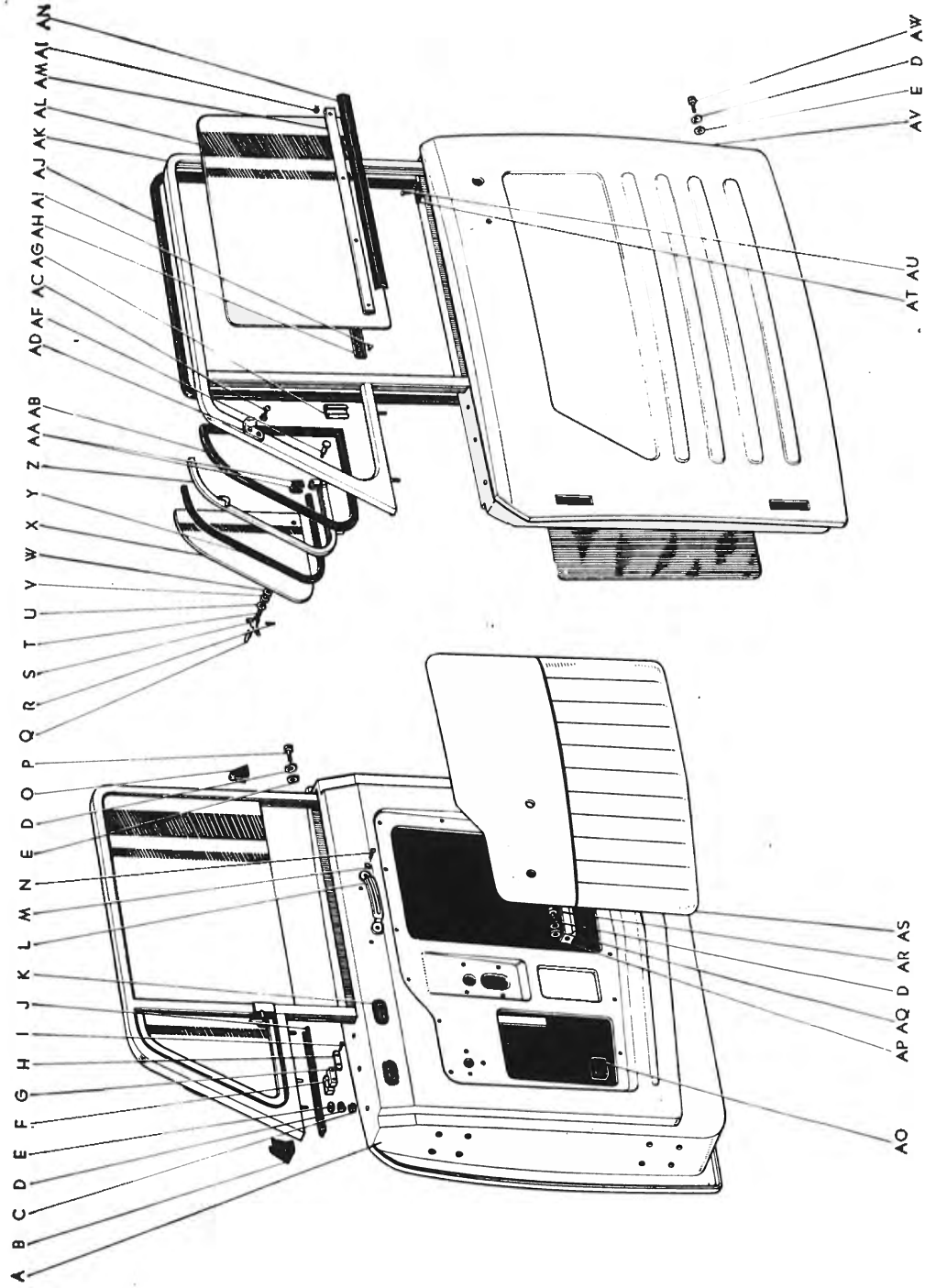
★ Old Part

① from Frame No. FJ45-26215 ② from Frame No. FJ45-22872

③ up to Frame No. FJ45 27950

↓
BODY

FIG.—82(a) FRONT DOOR & WINDOW GLASS (FJ45LV, For U.S.A.)



Toyota Land Cruiser

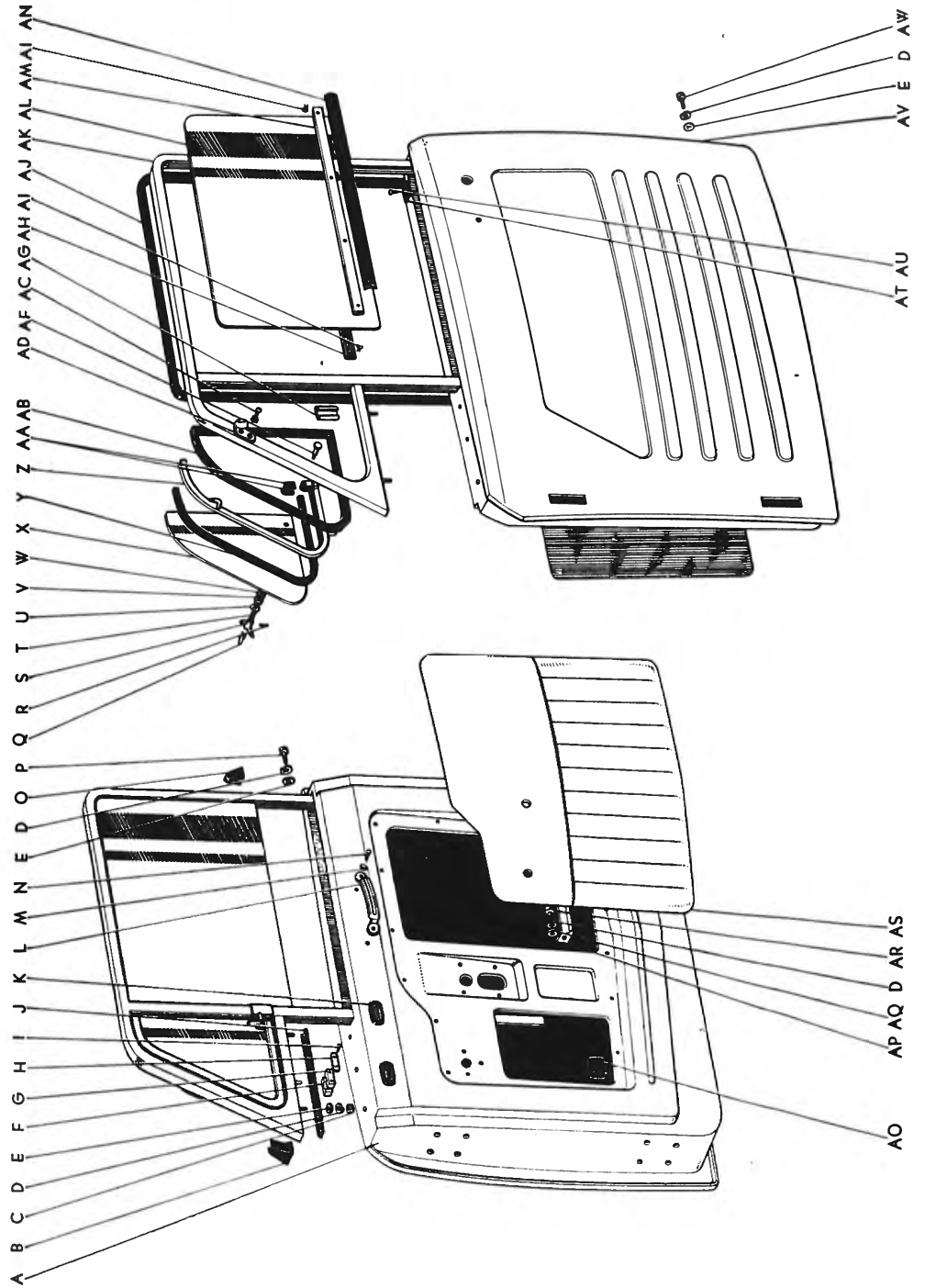
281

ILLUSTRATION	PART NO.	NOMENCLATURE	P E R VEHICLE	MODEL
(FIG.82)				
AB	68181-92000	Rubber, front ventilator window glass hold, RH	1	45V. LV
	68182-92000	Rubber, front ventilator window glass hold, LH	1	45V. LV
AC	93220-14008	Screw (fl-hd. 4—0.75p×8)	8	
	94524-00400	Washer, toothed (4)	8	
AD	★67542-92000	Pivot, front door ventilator, upper LH	1	45V. LV
	67542-92001	Pivot, vent window, LH—(from Frame No. FJ45-22872)	1	45V. LV
	★67541-92000	Pivot, front door ventilator, upper RH	1	45V. LV
	67541-92001	Pivot, vent window, RH—(from Frame No. FJ45-22872)	1	45V. LV
AE	★95111-00405	Rivet—(up to Frame No. FJ45-22871)	2	
AF	69994-91336	Shaft, front vent window handle	2	45V. LV
AG	★67471-92001*	Plate, front vent window handle lock		
		—(Replaced by 67471-92001)	2	45V. LV
	67471-92002	Plate, front vent window handle lock	2	45V. LV
AH	67213-92000	Proof, front door glass oscillate	2	45V. LV
AI	90053-60501	Clip, spring	44	45V. LV
AJ	68141-92001	Run, front door glass, short	2	45V. LV
	★68142-92000*	Run, front door glass, long—(Replaced by 68142-92001)	2	45V. LV
	68142-92001	Run, front door glass, long	2	45V. LV
	★67420-92001	Channel assy, front door glass, LH	1	LV
		(up to Frame No. FJ45-22871)		
		(includes illustrations—F~I, Q~AG, AK of Fig.—82)		
	67420-92002	Channel assy, front door glass, LH	1	45V. LV
	★67410-92001	Channel assy, front door glass, RH	1	LV
		(up to Frame No. FJ45-22871)		
	67410-92002	Channel assy, front door glass, RH	1	45V. LV
AK	★67402-92001*	Channel sub-assy, front door glass, LH		
		—(Replaced by 67420-92001)	1	LV
		(up to Frame No. FJ45-22871)		
		(includes illustrations—F~I, Z~AE of Fig.—82)		
	67402-92002*	Channel sub-assy, front door glass, LH		
		—(Replaced by 67420-92002)	1	45V. LV
	★67401-92001*	Channel sub-assy, front door glass, RH		
		—(Replaced by 67410-92001)	1	LV
		(up to Frame No. FJ45-22871)		
	67401-92002*	Channel sub-assy, front door glass, RH		
		—(Replaced by 67410-92002)	1	45V. LV
AL	★68111-92170*	Glass, front door—(Replaced by 68111-92001)	2	45V. LV
	68111-92001	Glass, front door	2	45V. LV

↓ ★ Old Part

BODY

FIG.—82(a) FRONT DOOR & WINDOW GLASS (FJ45LV, For U.S.A.)



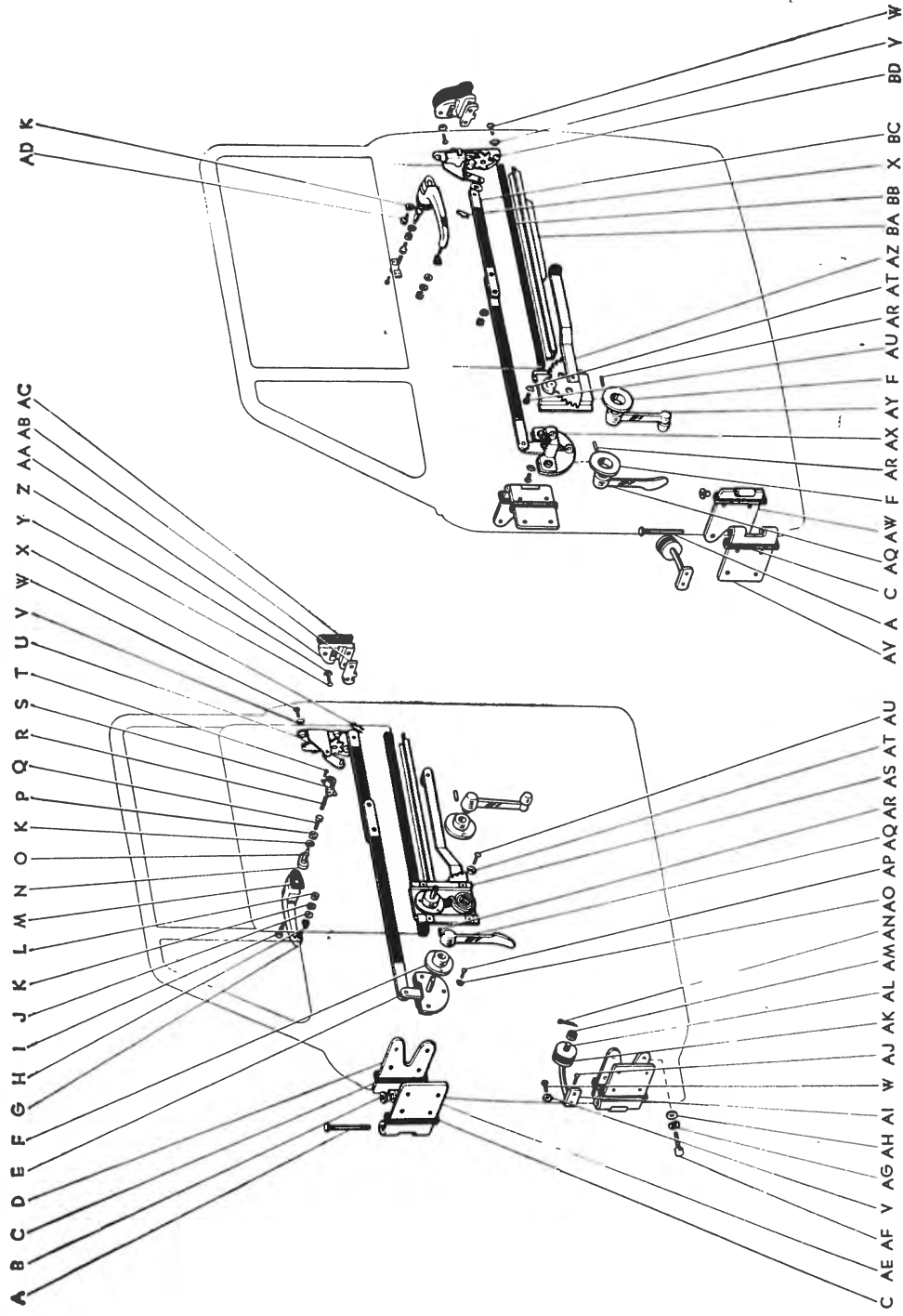
Toyota Land Cruiser

281-2

ILLUS- TRATION	PART NO.	NOMENCLATURE	P E R VEHICLE	MODEL
(FIG.82)				
AM	67212-92001	Plate, front door glass cleaner	2	45V. LV
AN	67211-92000	Rubber, front door glass cleaner	2	45V. LV
AO	67219-92000	Rubber, door open stopper silencer		45V. LV
AP	67109-92000	Stopper sub-assy, front door glass	2	45V. LV
AQ	94613-10600	Washer, plate (6×1.0)	8	
AR	91111-40616	Bolt (hex-hd. 6—1.0p×16)	4	
AS	67610-92170	Board assy, front door trim, RH	1	LV
	67620-92170	Board assy, front door trim, LH	1	LV
AT	68172-92000	Rubber, door glass down stopper	2	45V. LV
AU	93530-14020	Screw, tapping	4	
AV	67112-92000*	Panel, front door outer, LH-(Replaced by 67120-92172)	1	45V. LV
	67111-92000*	Panel, front door outer, RH-(Replaced by 67110-92172)	1	45V. LV
AW	91111-40610	Bolt (hex-hd. 6—1.0p×10)	4	

BODY

FIG.—83 FRONT DOOR LOCK & WINDOW REGULATOR (FJ45V, 451V)—Old



Toyota Land Cruiser

283

ILLUS- TRATION	PART NO.	NOMENCLATURE	P E R VEHICLE	MODEL
Front Door Lock & Window Regulator (FJ45V, 45LV)				
(FIG.83)				
A	68713-92000	Pin, front door hinge	4	45V. LV
B	68712-39610	Bushing, door hinge	8	45V. LV
C	★68714 92000	Cover, door hinge	8	45V. LV
	68714-92001	Cover, door hinge-③	8	45V. LV
D	★68711 92000*	Hinge, front door upper, male		
		-(Replaced by 68701-92000 or 68702-92000)	2	45V. LV
	68711-92001*	Hinge, front door upper, male		
		-(Replaced by 68701-92001 or 68702-92001)-③	2	45V. LV
E	★69610-92000	Control assy, front door lock remote, RH (includes illustration—BC of Fig.—83)	1	45V
	69610-92001	Control assy, front door lock remote, RH-①	1	45V
	★69630-92100	Control assy, front door lock remote, RH	1	LV
	69630-92101	Control assy, front door lock remote, RH-①	1	LV
	69630-92170	Control assy, front door lock remote, RH (For U.S.A.)	1	LV
F	★65602-91301	Escutcheon sub-assy, door regulator handle-②	4	45V. LV
	69210-92000	Handle assy, door lock outside, RH (w/key) (includes illustrations—G, I, N—T of Fig.—83)	1	45V
	69210-92100	Handle assy, door lock outside, RH	1	LV
	69220-92000	Handle assy, door lock outside, LH	1	45V
	69220-92100	Handle assy, door lock outside, LH (w/key)	1	LV
G	65406-91301	Handle sub-assy, door lock outside, RH	1	45V. LV
	65407-91301	Handle sub-assy, door lock outside, LH	1	45V. LV
H	65478-91301	Pad, door outside handle small	2	45V. LV
I	65405-91301	Key sub-assy, door lock outside handle	1	45V. LV
J	94613-10600	Washer, plate (6×1.0)	2	
K	94511-00600	Washer, spring (6)	10	
L	94110-40600	Nut (hex. 6—1.0p)	2	
M	65477-91301	Pad, door lock outside handle	2	45V. LV
N	65473-91301	Holder, door outside handle key	1	45V. LV
O	65471-91301	Button, door outside handle push, RH	1	45V. LV
	65472-91301	Button, door outside handle push, LH	1	45V. LV
P	94120-40600	Nut (hex. 6—1.0p)	2	
Q	91111-40660	Bolt (hex-hd. 6—1.0p×60)	2	

★ Old Part

① from Frame No. FJ45 24186

② up to Frame No. FJ45 24185

③ from Frame No. FJ45 28187



BODY

FIG.—83(a) FRONT DOOR LOCK & WINDOW REGULATOR (FJ45V, 45LV)

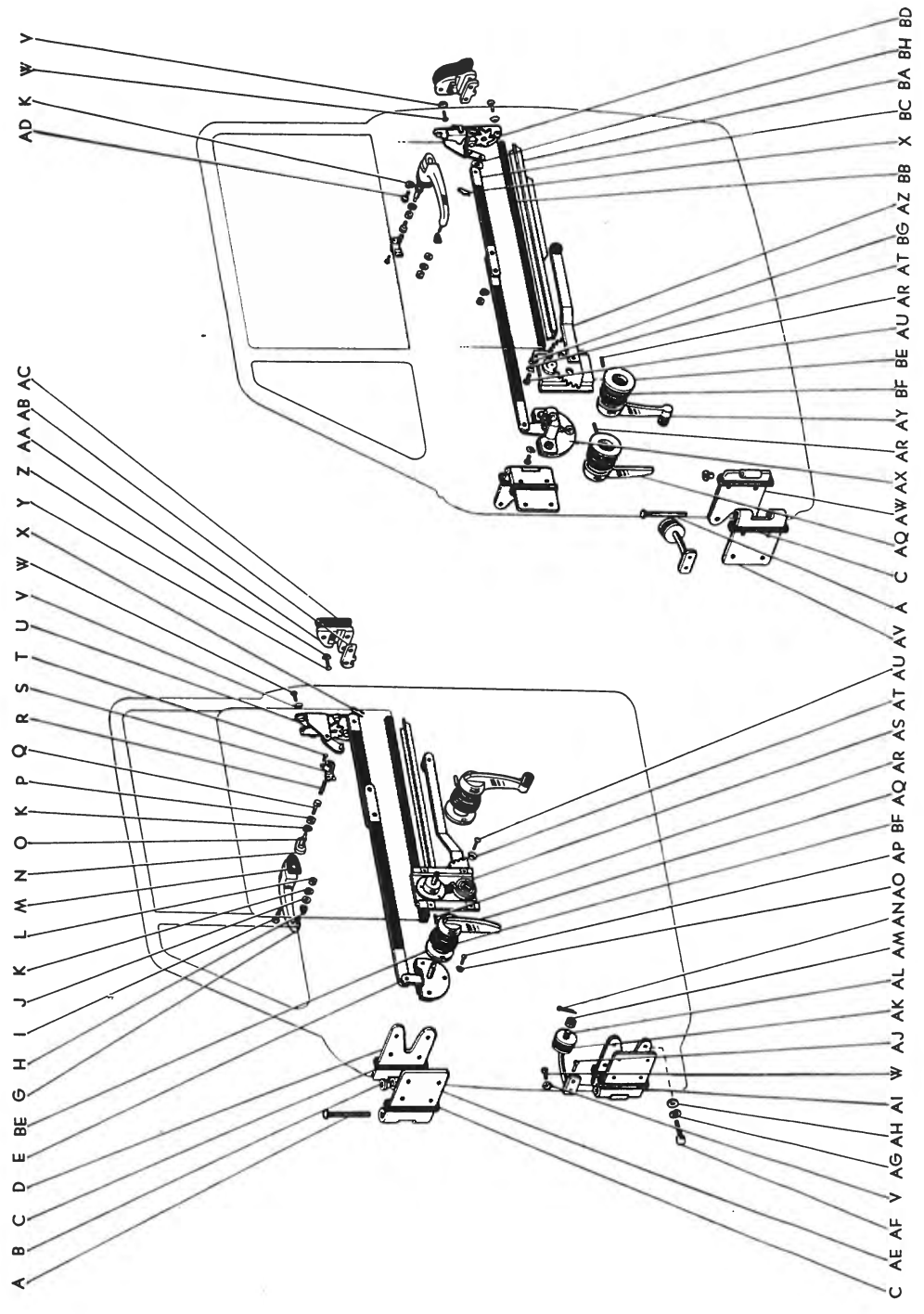
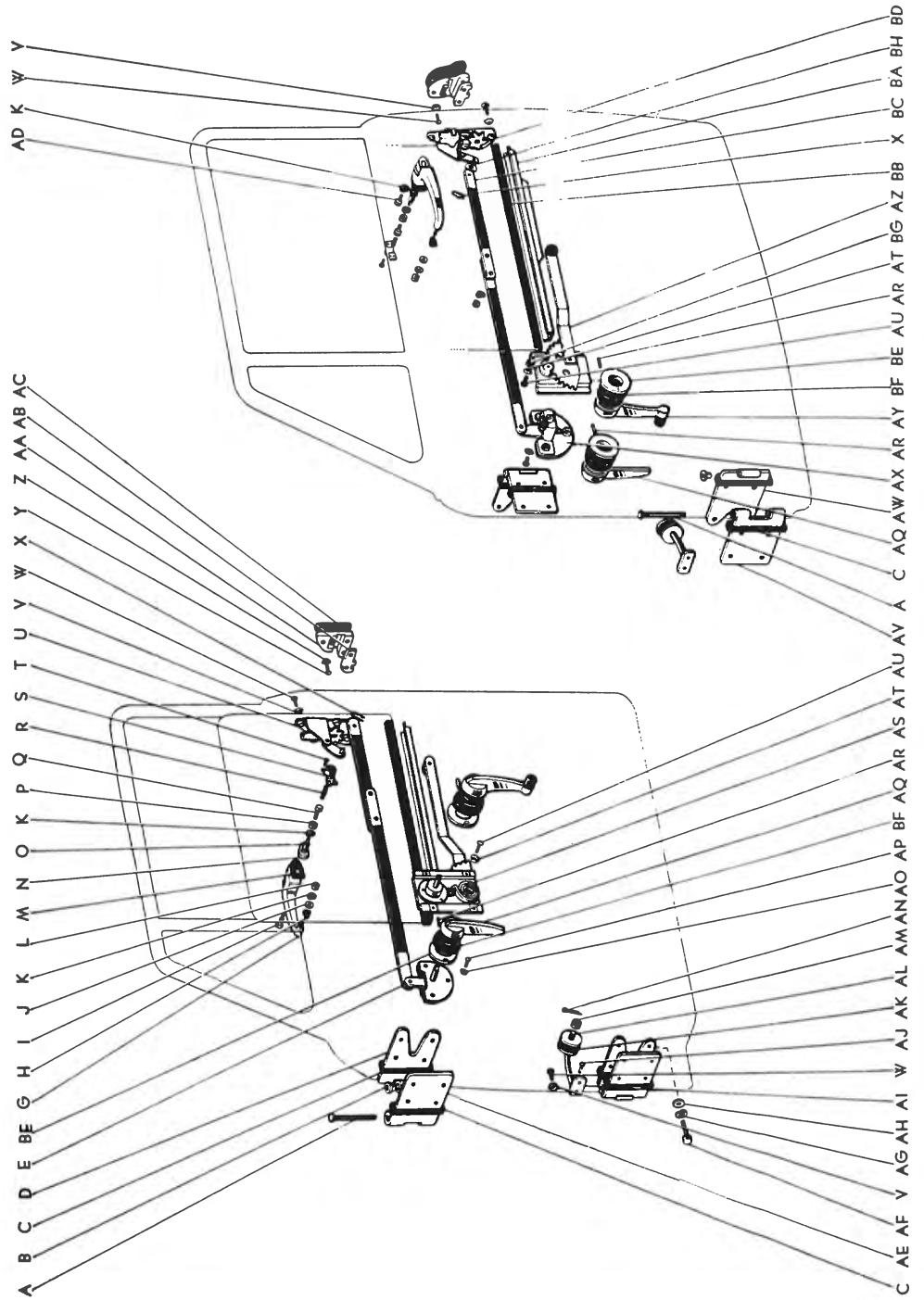


FIG.—83(a) FRONT DOOR LOCK & WINDOW REGULATOR (FJ45V, 451V)



Toyota Land Cruiser

285

ILLUS- TRATION	PART NO.	NOMENCLATURE	P E R VEHICLE	MODEL
(FIG.83)				
R	65475-91301	Spring, door lock outside handle	2	45V. LV
S	65499-91301	Seat, door outside handle spring	2	45V. LV
T	93220-13005	Screw (fl.-hd. 3—0.6p×5)	8	
U	65410-91301	Lock assy, door, RH	1	45V. LV
V	94524-00600	Washer, toothed (6)	10	
W	93220-16016	Screw (fl.-hd. 6—1.0p×16)	12	
X	65582-91301	Pin, door lock remote control connect	2	45V. LV
Y	93220-18025	Screw (fl.-hd. 8—1.25p×25)	6	
Z	94524-00800	Washer, toothed (8)	14	
AA	65401-91301	Plate sub-assy, door lock striker, RH (includes illustration—AB of Fig.—83)	1	45V. LV
	65402-91301	Plate sub-assy, door lock striker, LH	1	45V. LV
AB	65455-91306	Plate, door lock striker, RH	1	45V. LV
	65456-91306	Plate, door lock striker, LH	1	45V. LV
AC	65453-91301	Packing, door lock striker plate	2	45V. LV
	65454-91201	Plate, door striker (thk.=1.6) } Optional specifications	0~2	45V. LV
	65455-91201	Plate, door striker (thk.=1.0) }		
AD	93210-16020	Screw (rd.-hd. 6—1.0p×20)	2	
	★68702-92000	Hinge sub-assy, front door, upper LH (includes illustrations—A, B, D, AE of Fig.—83)	1	45V. LV
	68702-92001	Hinge sub-assy, front door, upper LH-②	1	45V. LV
	★68701-92000	Hinge sub-assy, front door, upper RH	1	45V. LV
	68701-92001	Hinge sub-assy, front door, upper RH-②	1	45V. LV
AE	★68712-92000*	Hinge, front door upper, female -(Replaced by 68701-92000 or 68702-92000)	2	45V. LV
	68712-92001*	Hinge, front door upper, female -(Replaced by 68701-92001 or 68702-92001)-②	2	45V. LV
AF	★91111-40816	Bolt (hex.-hd. 8—1.25p×16)	32	
	91111-50816	Bolt (hex.-hd. 8—1.25p×16)-③	32	45V. LV
AG	94511-00800	Washer, spring (8)	32	
AH	94611-10800	Washer, plate (8×1.6)	32	
AI	68901-92000	Stopper sub-assy, door open (includes illustrations—AJ~AN of Fig.—83)	2	45V. LV
AJ	95112-00516	Rivet	4	
AK	68914-92000	Rubber, door open stopper	2	45V. LV
AL	68913-92000	Washer, door open stopper rubber	4	45V. LV
AM	94110-40800	Nut (hex. 8—1.25p)	4	
AN	95381-02018	Pin, cotter	2	

★ Old Part

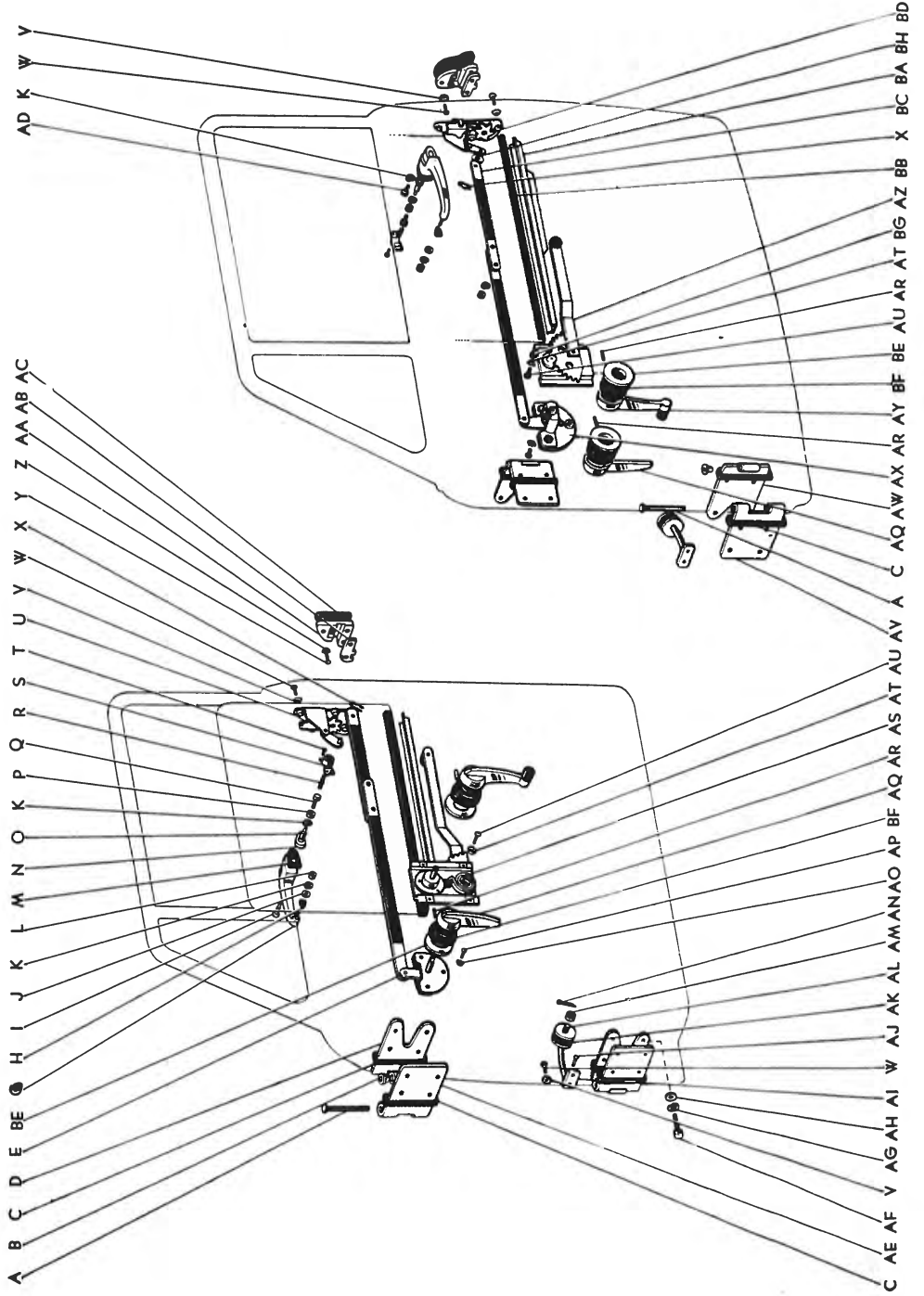
① from Frame No. FJ45 24186

② from Frame No. FJ45-28187

③ from Frame No. FJ45 27210

BODY

FIG.—83(a) FRONT DOOR LOCK & WINDOW REGULATOR (FJ45V, 45LV)



Toyota Land Cruiser

287

ILLUS- TRATION	PART NO.	NOMENCLATURE	P E R VEHICLE	MODEL
(FIG.83)				
AO	94523-00500	Washer, toothed (5)	6	
AP	93210-15016	Screw (rd-hd. 5-0.9p x 16)	6	
AQ	*65521 91101	Handle, door inside	2	45V. LV
	69271-91336	Handle, door inside 1	2	45V. LV
AR	*65522 91101	Pin, door inside handle	4	45V. LV
	69993-91336	Pin, window regulator handle set 1	4	45V. LV
AS	*69710 92000	Regulator assy, door window, RH (includes illustration—BA of Fig.—83)	1	45V. LV
	69710-92001	Regulator assy, door window, RH 1	1	45V. LV
AT	94523-00600	Washer, toothed (6)	8	
AU	93210-16016	Screw (rd-hd. 6-1.0p x 16)	8	
	*68703 92000	Hinge sub-assy, front door, lower RH (includes illustrations—A, B, AV, AW of Fig.—83)	1	45V. LV
	68703-92001	Hinge sub-assy, front door, lower RH ③	1	45V. LV
	*68704 92000	Hinge sub-assy, front door, lower LH	1	45V. LV
	68704-92001	Hinge sub-assy, front door, lower LH 3	1	45V. LV
AV	*68732 92000*	Hinge, front door, lower female -(Replaced by 68703-92000 or 68704-92000)	2	45V. LV
	68732-92001*	Hinge, front door, lower female -(Replaced by 68703-92001 or 68704-92001)-3	2	45V. LV
AW	*68731 92000*	Hinge, front door, lower male -(Replaced by 68703-92000 or 68704-92000)	2	45V. LV
	68731-92001*	Hinge, front door, lower male -(Replaced by 68703-92001 or 68704-92001)-③	2	45V. LV
AX	*69620 92000	Control assy, front door lock remote, LH (includes illustration—BC of Fig.—83)	1	45V
	69620-92001	Control assy, front door lock remote, LH ①	1	45V
	*69640 92100	Control assy, front door lock remote, LH	1	LV
	69640-92101	Control assy, front door lock remote, LH ①	1	LV
	69640-92170	Control assy, front door lock remote, LH (For U.S.A.)	1	LV
AY	*65601 91101	Handle sub-assy, door regulator	2	45V. LV
	69260-95400	Handle assy, window regulator ①	2	45V. LV
AZ	*69720 92000	Regulator assy, door window, LH (includes illustration—BA of Fig.—83)	1	45V. LV
	69720-92001	Regulator assy, door window, LH 1	1	45V. LV

* Old Part

① from Frame No. FJ45 24186

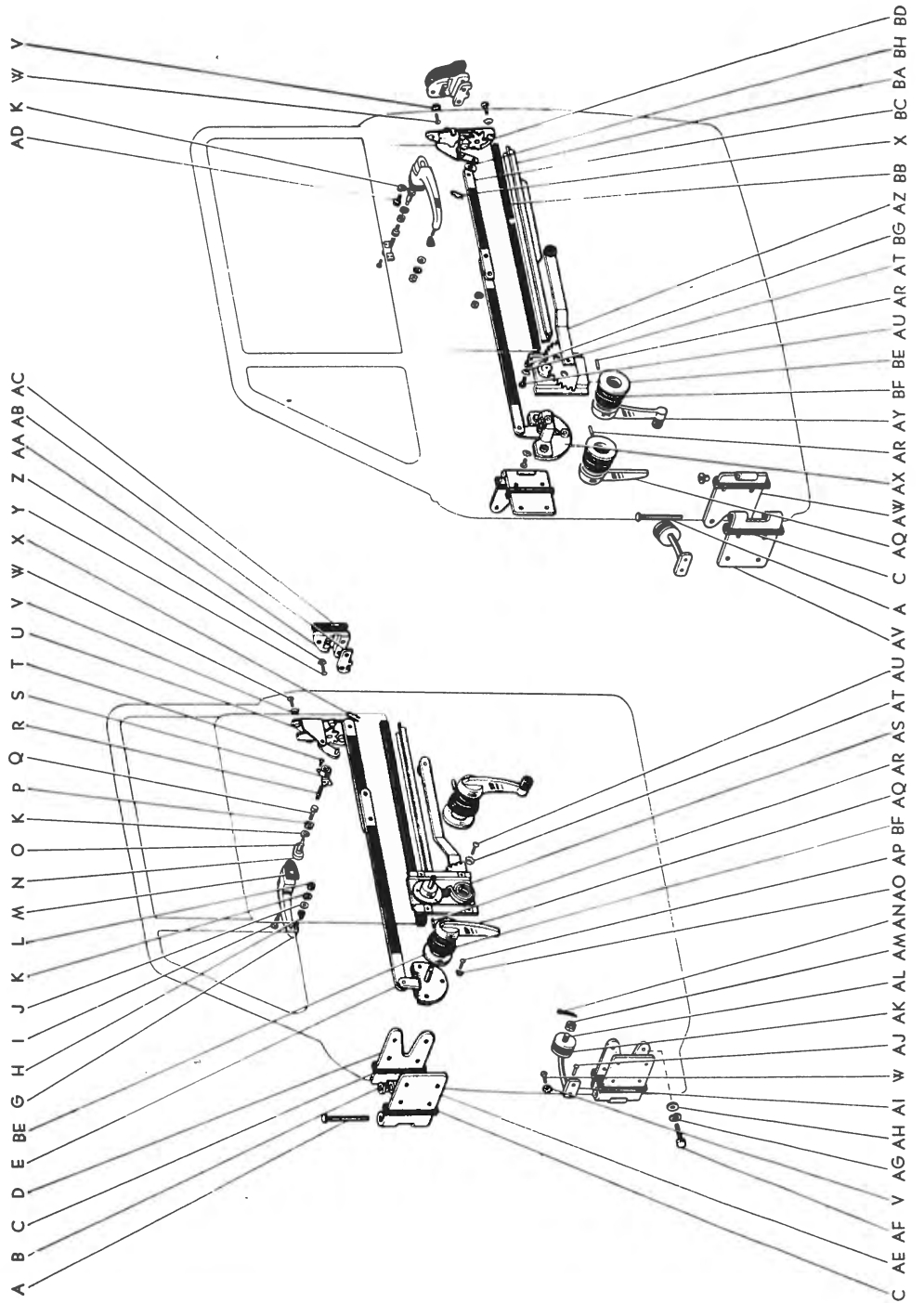
② from Frame No. FJ45 28185

③ from Frame No. FJ45 28187

Ⓛ

BODY

FIG.—83(a) FRONT DOOR LOOK & WINDOW REGULATOR (FJ45V, 45LV)



Toyota Land Cruiser

287-2

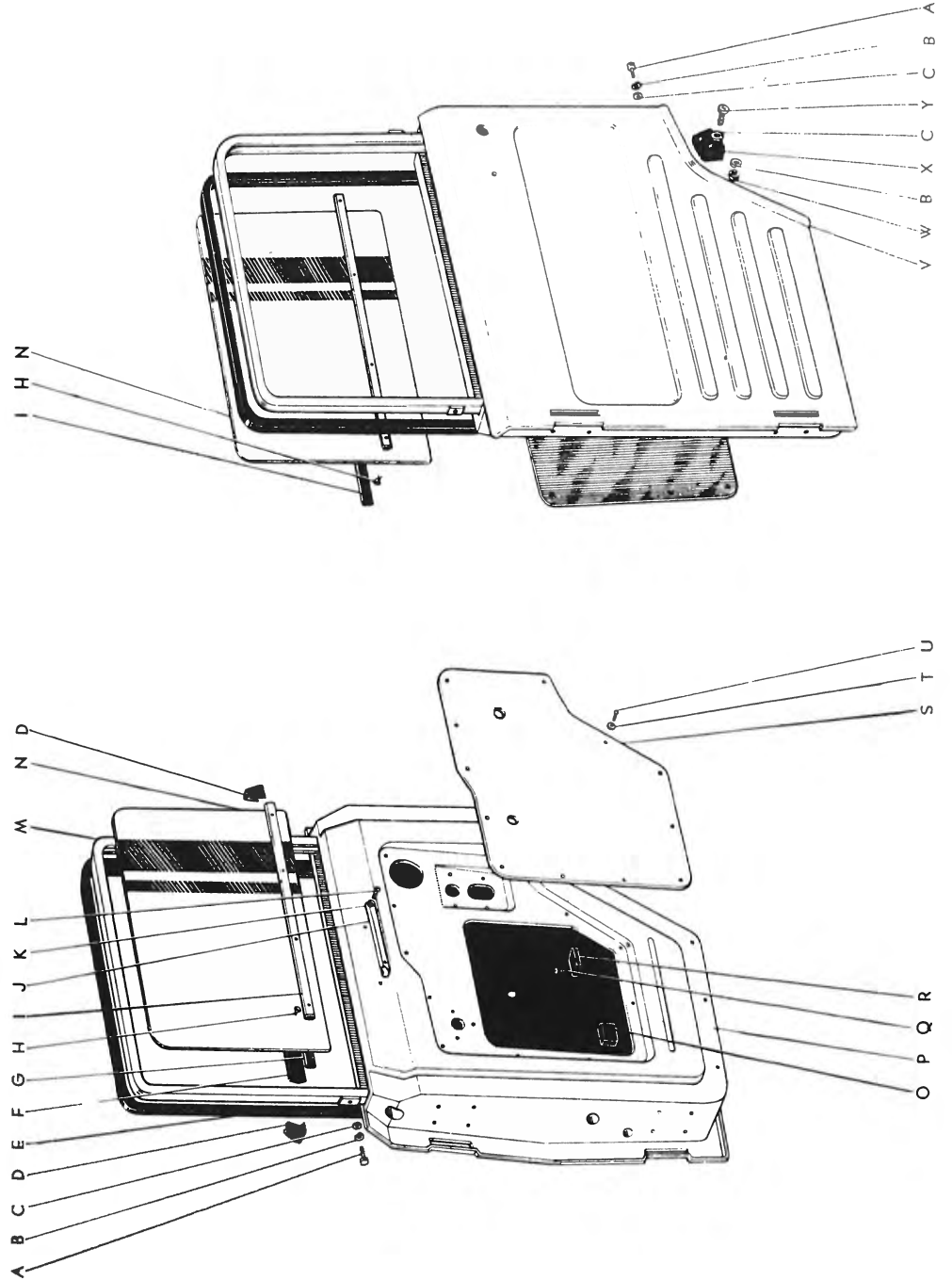
ILLUS- TRATION	PART NO.	NOMENCLATURE	P E R VEHICLE	MODEL
(FIG.83)				
BA	65604-91311*	Holder sub-assy, door glass, LH -(Replaced by 69720-92001)	1	45V. LV
	65603-91311*	Holder sub-assy, door glass, RH -(Replaced by 69710-92001)	1	45V. LV
BB	68171-92000	Rubber, front door window glass skirt	2	45V. LV
BC	69601-91301*	Control sub-assy, door lock remote -(Replaced by 69610-92001, 69630-92101, 69630-92170, 69620-92001, 69640-92101 or 69640-92170)	2	45V. LV
BD	65420-91301	Lock assy, door, LH	1	45V. LV
BE	69991-91336	Packing, handle seat-①	4	45V. LV
BF	69992-91336	Seat, window regulator handle-①	4	45V. LV
BG	67149-92000	Spacer, door window regulator-①	8	45V. LV
BH	65581-91301	Washer, door lock regulator connect wave	2	45V. LV

★ Old Part

① from Frame No. FJ45-24186

BODY

FIG.—84 REAR DOOR & WINDOW GLASS (FJ45Y, 45LV)



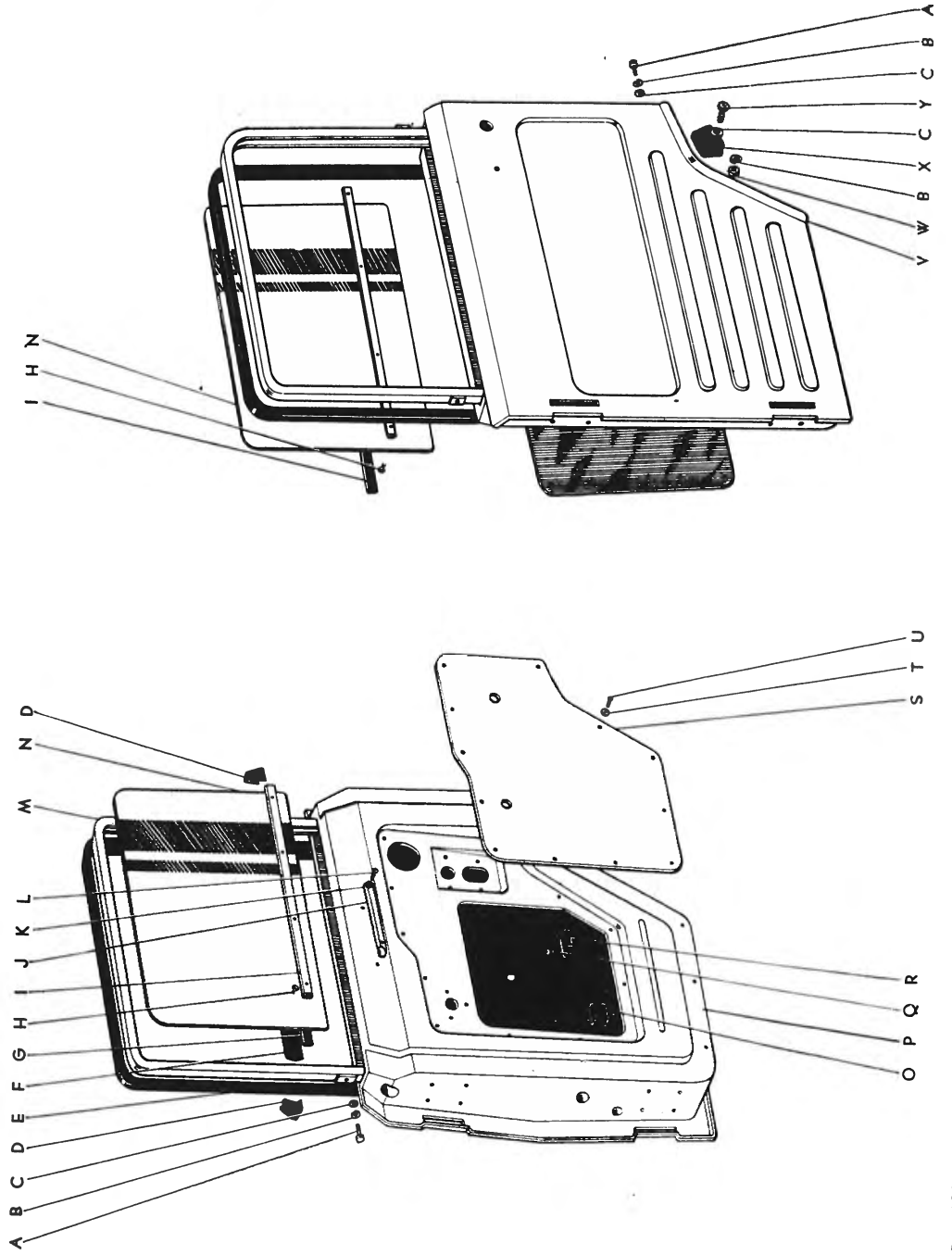
Toyota Land Cruiser

ILLUSTRATION	PART NO.	NOMENCLATURE	PER VEHICLE	MODEL
Rear Door & Window Glass (FJ45V, 45LV)				
(FIG.84)				
★67300	92000	Door assy, rear, RH (up to Frame No. FJ45 24185) (includes illustrations A~V of Fig.—84 and illustrations—A~U, AA, AE~BA of Fig.—85)	1	45V, LV
★67300	92001*	Door assy, rear, RH (Replaced by 67300-92002)	1	45V, LV
	67300-92002	Door assy, rear, RH	1	45V, LV
★67300	92170	Door assy, rear, RH (For U.S.A.) (up to Frame No. FJ45 24185)	1	LV
★67300	92171*	Door assy, rear, RH (For U.S.A.) -(Replaced by 67300-92172)	1	LV
	67300-92172	Door assy, rear, RH (For U.S.A.)	1	LV
★67400	92000	Door assy, rear, LH (up to Frame No. FJ45 24185) (includes illustrations—A~V of Fig.—84 and illustrations—A~Q, S~U, AA, AB, AE~BA of Fig.—85)	1	45V, LV
★67400	92001*	Door assy, rear, LH (Replaced by 67400-92002)	1	45V, LV
	67400-92002	Door assy, rear, LH	1	45V, LV
★67400	92170	Door assy, rear, LH (For U.S.A.) (up to Frame No. FJ45 24185)	1	LV
★67400	92171*	Door assy, rear, LH (For U.S.A.) -(Replaced by 67400-92172)	1	LV
	67400-92172	Door assy, rear, LH (For U.S.A.)	1	LV
★67130	92000	Door sub-assy, rear, RH (up to Frame No. FJ45 24185) (includes illustrations—A~C, M, P, V of Fig.—84)	1	45V, LV
★67130	92001*	Door sub-assy, rear, RH (Replaced by 67130-92002)	1	45V, LV
	67130-92002	Door sub-assy, rear, RH	1	45V, LV
★67130	92170	Door sub-assy, rear, RH (For U.S.A.) (up to Frame No. FJ45 24185)	1	LV
★67130	92171*	Door sub-assy, rear, RH (For U.S.A.) -(Replaced by 67130-92172)	1	LV
	67130-92172	Door sub-assy, rear, RH (For U.S.A.)	1	LV
★67140	92000	Door sub-assy, rear, LH (up to Frame No. FJ45 24185)	1	45V, LV
★67140	92001*	Door sub-assy, LH (Replaced by 67140-92002)	1	45V, LV
	67140-92002	Door sub-assy, LH	1	45V, LV
★67140	92170	Door sub-assy, rear, LH (For U.S.A.) (up to Frame No. FJ45 24185)	1	LV
★67140	92171*	Door sub-assy, rear LH (For U.S.A.) -(Replaced by 67140-92172)	1	LV
	67140-92172	Door sub-assy, rear LH (For U.S.A.)	1	LV

↓ ★ Old Part

BODY

FIG.—84 REAR DOOR & WINDOW GLASS (FJ45V, 45LV)



Toyota Land Cruiser

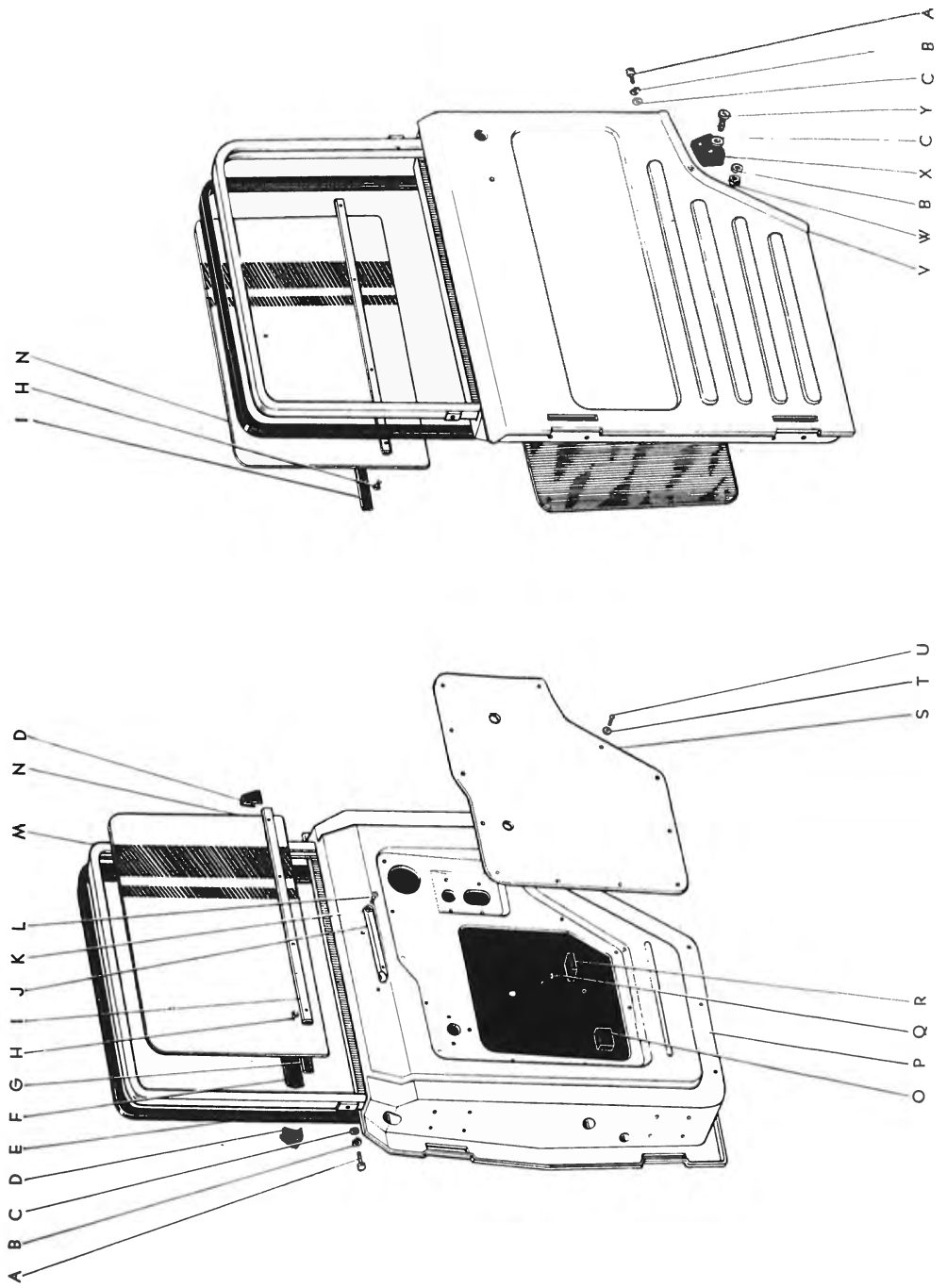
291

ILLUS- TRATION	PART NO.	NOMENCLATURE	P E R VEHICLE	MODEL
(FIG.84)				
A	91111-40610	Bolt (hex-hd. 6—1.0p×10)	8	
B	94511-00600	Washer, spring (6)	18	
C	94613-10600	Washer, plate (6×1.0)	14	
D	67217-92001	Spacer, door belt line, rear RH	2	45V. LV
	67218-92001	Spacer, door belt line, rear LH	2	45V. LV
E	68151-92000	Run, rear door glass	2	45V. LV
F	67231-92000	Rubber, rear door glass cleaner	2	45V. LV
G	67232-92000	Plate, rear door glass cleaner	2	45V. LV
H	90053-60501	Clip, spring	50	45V. LV
I	67233-92000	Proof, rear door glass oscillate	2	45V. LV
J	★65523 91301*	Handle, door inside pull (Replaced by 69285-95400)	2	45V. LV
	69285-95400	Handle, pull (from Frame No. FJ45 26215)	2	45V. LV
-K	★94524-00600	Washer, toothed (6)	4	
	94511-00600	Washer, spring (6)	4	
L	★93230-26016	Screw (oval-hd. 6—1.0p×16, cr-pltd.)	4	
	93210-16016	Screw (rd-hd. 6—1.0p×16)	4	
M	67403-92001	Channel sub-assy, rear door glass	2	45V. LV
N	★68113-92000*	Glass, rear door (Replaced by 68113-92001)	2	45V. LV
	68113-92001	Glass, rear door	2	45V. LV
	★68113-92170*	Glass, rear door (For U.S.A.) (Replaced by 68113-92001)	2	LV
O	67219-92000	Rubber, door open stopper silencer	2	45V. LV
P	★67014 92000*	Panel sub-assy, rear door inner, RH (Replaced by 67130-92000)	1	45V. LV
		(up to Frame No. FJ45-24185)		
	★67014 92001*	Panel sub-assy, rear door inner, RH (Replaced by 67130-92002)	1	45V. LV
	67014-92002*	Panel sub-assy, rear door inner, RH (Replaced by 67130-92002)	1	45V. LV
	★67014 92170*	Panel sub-assy, rear door inner, RH (For U.S.A.) (Replaced by 67130-92170)	1	LV
		(up to Frame No. FJ45-24185)		
	★67014 92171*	Panel sub-assy, rear door inner, RH (For U.S.A.) (Replaced by 67130-92172)	1	LV
	67014-92172*	Panel sub-assy, rear door inner, RH (For U.S.A.) (Replaced by 67130-92172)	1	LV

↳ ★ Old Part

BODY

FIG.—84 REAR DOOR & WINDOW GLASS (FJ45V, 45LV)



Toyota Land Cruiser

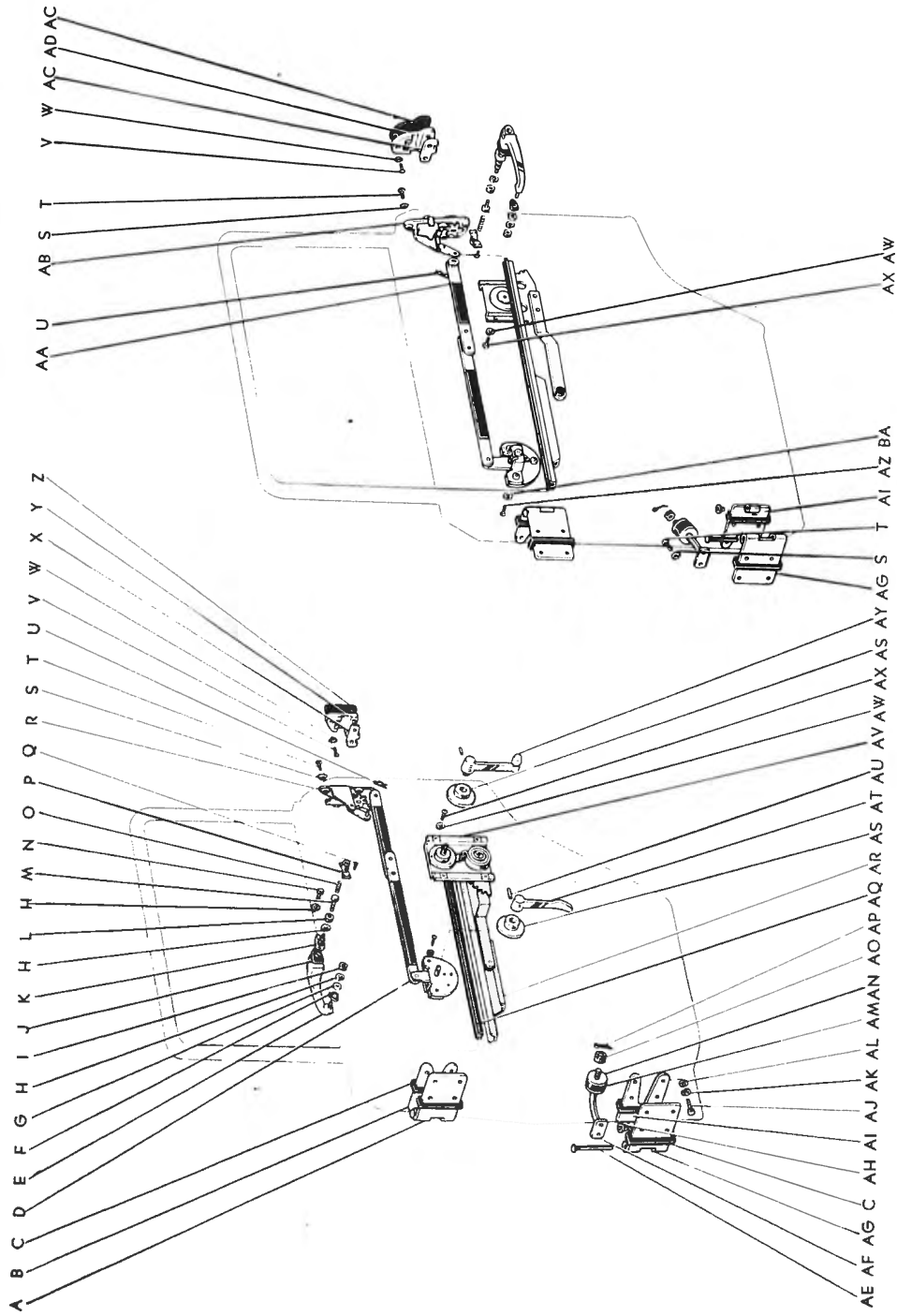
291-2

ILLUSTRATION	PART NO.	NOMENCLATURE	P E R VEHICLE	MODEL
(FIG.84)				
★	67015-92000*	Panel sub-assy, rear door inner, LH (Replaced by 67140-92000) (up to Frame No. FJ45 24185)	1	45V, LV
★	67015-92001*	Panel sub-assy, rear door inner, LH (Replaced by 67140-92002)	1	45V, LV
	67015-92002*	Panel sub-assy, rear door inner, LH (Replaced by 67140-92002)	1	45V, LV
★	67015-92170*	Panel sub-assy, rear door inner, LH (For U.S.A.) (Replaced by 67140-92170) (up to Frame No. FJ45 24185)	1	LV
★	67015-92171*	Panel sub-assy, rear door inner, LH (For U.S.A.) (Replaced by 67140-92172)	1	LV
	67015-92172*	Panel sub-assy, rear door inner, LH (Replaced by 67140-92172)	1	LV
Q	93530-14020	Screw, tapping	4	
R	68172-92000	Rubber, door glass down stopper	2	45V, LV
S	67621-92000	Board, rear door trim, RH	1	45V, LV
	67630-92170	Board assy, rear door trim, RH (For U.S.A.)	1	LV
	67622-92000	Board, rear door trim, LH	1	45V, LV
	67640-92170	Board assy, rear door trim, LH (For U.S.A.)	1	LV
T	90207-05003	Washer, rosette (Excludes U.S.A.)	26	45V, LV
U	93530-24014	Screw, tapping (Excludes U.S.A.)	26	
V	67122-92000*	Panel, rear door outer, LH (Replaced by 67140-92002)	1	45V, LV
	67121-92000*	Panel, rear door outer, RH (Replaced by 67130-92002)	1	45V, LV
(from Frame No. FJ45 26264)				
W	94110-40600	Nut (hex. 6-1.0p)	4	
X	67872-92001	Block, rear door lower corner rubber, LH	1	45V, LV
	67871-92001	Block, rear door lower corner rubber, RH	1	45V, LV
Y	93210-16020	Screw (rd-hd. 6-1.0p×20)	4	

★ Old Part

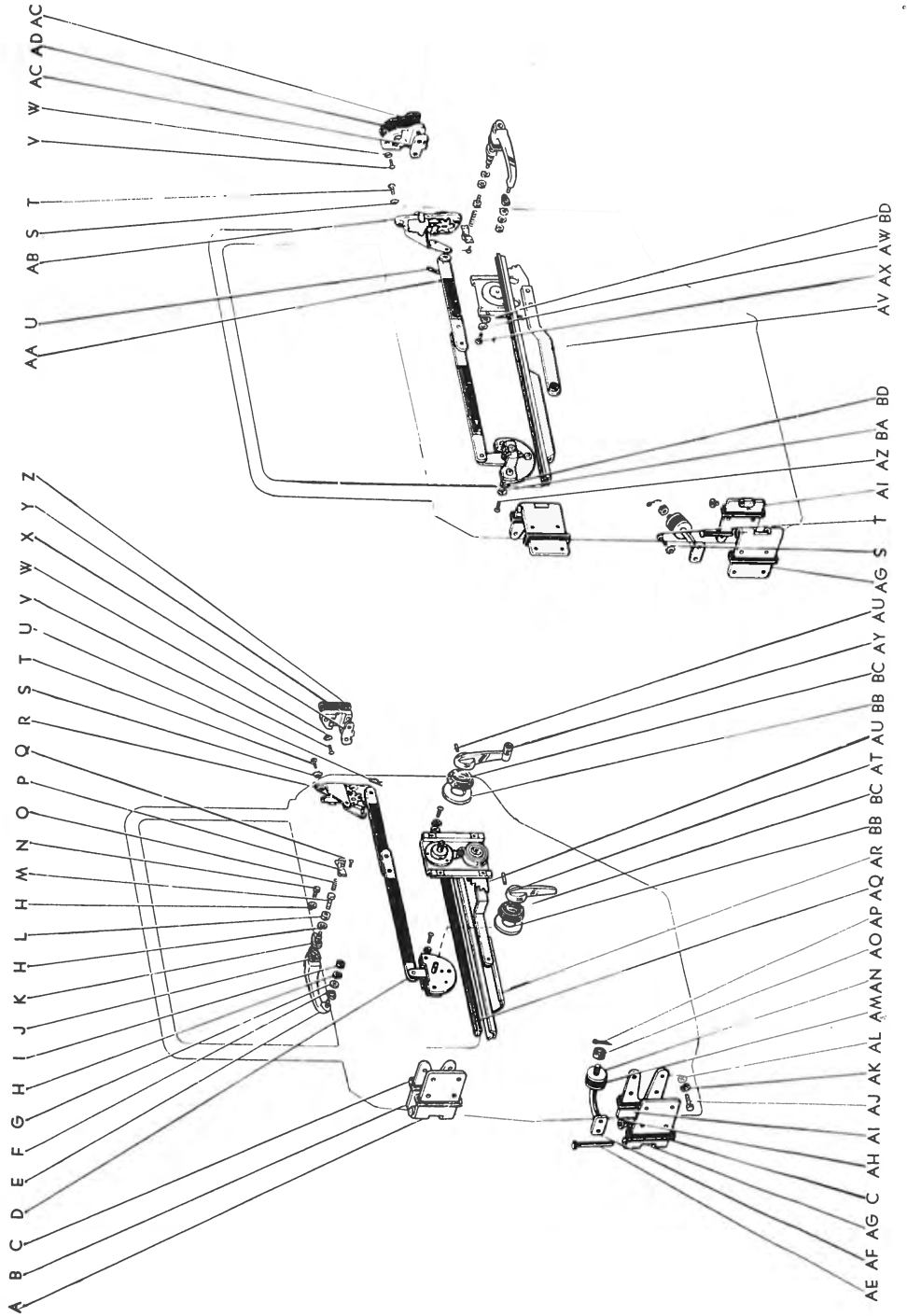
BODY

FIG.—85 REAR DOOR LOCK & WINDOW REGULATOR (FJ45V, 45LV —C'd)



B 1297-A

FIG.—85(a) REAR DOOR LOCK & WINDOW REGULATOR (FJ45V, 45LV)



Toyota Land Cruiser

293

ILLUS- TRATION	PART NO.	NOMENCLATURE	P E R VEHICLE	MODEL
Rear Door Lock & Window Regulator (FJ45V, 45LV)				
(FIG.85)				
A	*68752 92000*	Hinge, rear door female, upper		
		Replaced by 68705-92000 or 68706-92000	2	45V. LV
	68752-92001*	Hinge, rear door female, upper		
		Replaced by 68705-92001 or 68706-92001	2	45V. LV
	*68706 92000	Hinge sub-assy, rear door, upper, LH	1	45V. LV
		(includes illustrations—A, B, AE, AH of Fig.—85)		
	68706-92001	Hinge sub-assy, rear door, upper, LH 2	1	45V. LV
	*68705 92000	Hinge sub-assy, rear door, upper, RH	1	45V. LV
	68705-92001	Hinge sub-assy, rear door, upper, RH 2	1	45V. LV
B	*68751 92000*	Hinge, rear door male, upper		
		Replaced by 68705-92000 or 68706-92000	2	45V. LV
	68751-92001*	Hinge, rear door male, upper		
		Replaced by 68705-92001 or 68706-92001	2	45V. LV
C	*68714 92000	Cover, door hinge	8	45V. LV
	68714-92001	Cover, door hinge 2	8	45V. LV
D	*69650 92000	Control assy, rear door lock remote, RH	1	45V. LV
		(includes illustration—AA of Fig.—85)		
	69650-92001	Control assy, rear door lock remote, RH ①	1	45V. LV
	*69650 92170	Control assy, rear door lock remote, RH		
		(For U.S.A.)	1	LV
	*69660 92000	Control assy, rear door lock remote, LH	1	45V. LV
	69660-92001	Control assy, rear door lock remote, LH ①	1	45V. LV
	*69660 92170	Control assy, rear door lock remote, LH		
		(For U.S.A.)	1	LV
	69210-92100	Handle assy, door outside, RH	1	45V. LV
		(includes illustrations—E, H, K~M, O~Q of Fig.—85)		
	69470-91301	Handle assy, door outside, LH	1	45V. LV
E	65406-91301	Handle sub-assy, door outside, RH	1	45V. LV
	65407-91301	Handle sub-assy, door outside, LH	1	45V. LV
F	65478-91301	Pad, door outside handle small	2	45V. LV
G	94613-10600	Washer, plate (6x1.0)	10	
H	94511-00600	Washer, spring (6)	14	
I	94110-40600	Nut (hex. 6-1.0p)	2	
J	65477-91301	Pad, door outside handle	2	45V. LV
K	65472-91301	Button, door outside handle push (For LH, RH)	2	45V. LV
L	94120-40600	Nut (hex. 6-1.0p)	2	

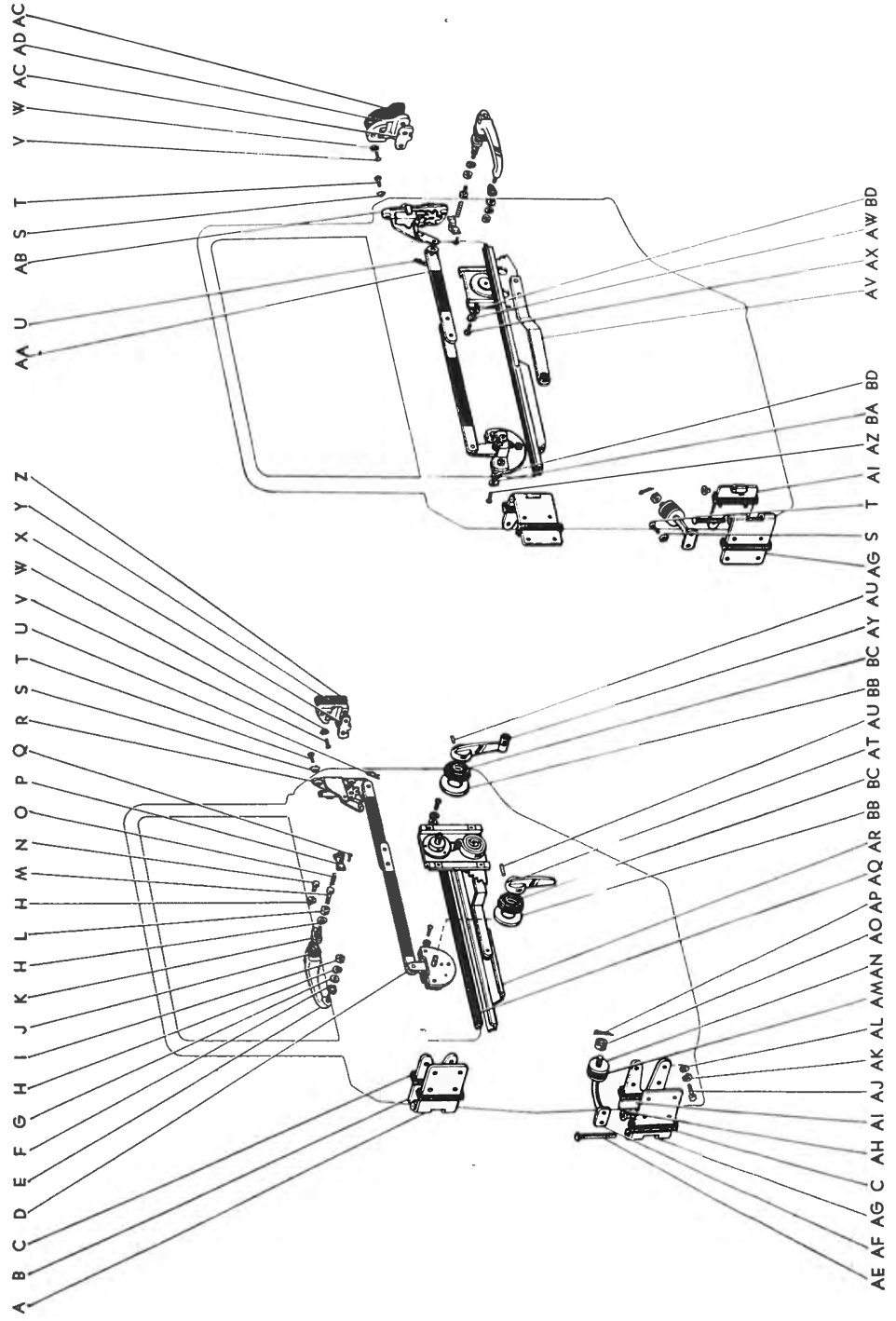
★ Old Part

① from Frame No. FJ45 24186

② from Frame No. FJ45 28187

BODY

FIG.—85(a) REAR DOOR LOCK & WINDOW REGULATOR (FJ45V, 45LV)



Toyota Land Cruiser

295

ILLUSTRATION	PART NO.	NOMENCLATURE	P E R VEHICLE	MODEL
(FIG.85)				
M	91111-40660	Bolt (hex-hd. 6—1.0p×60)	2	
N	93210-16020	Screw (rd-hd. 6—1.0p×20)	2	
O	65475-91301	Spring, door outside handle	1	45V. LV
P	65499-91301	Seat, door outside handle spring	2	45V. LV
Q	93220-13005	Screw (fl-hd. 3—0.6p×5)	8	
R	65410-91301	Lock assy, door, RH	1	45V. LV
S	94524-00600	Washer, toothed (6)	30	
T	93220-16016	Screw (fl-hd. 6—1.0p×16)	22	
U	65582-91301	Pin, door lock remote control connect	2	45V. LV
V	93220-18025	Screw (fl-hd. 8—1.25p×25)	6	
W	94524-00800	Washer, toothed (8)	6	
X	65455-91306	Plate, door lock striker, RH	1	45V. LV
Y	65401-91301	Stopper sub-assy, door down, RH	1	45V. LV
Z	65453-91301	Packing, door lock striker plate	2	45V. LV
AA	69606-92000*	Plate sub-assy, door lock remote control connect (Replaced by 69650-92001 or 69660-92001)	2	45V. LV
AB	65420-91301	Lock assy, door, LH	1	45V. LV
AC	65456-91306	Plate, door lock striker, LH	1	45V. LV
AD	65402-91301	Stopper sub-assy, door lock striker, LH	1	45V. LV
AE	68713-92000	Pin, front door hinge	4	45V. LV
AF	68901-92000	Stopper sub-assy, door open (includes illustrations—AM~AP of Fig.—85)	2	45V. LV
AG	★68772 92000*	Hinge, rear door female, lower (Replaced by 68707-92000 or 68708-92000)	2	45V. LV
	68772-92001*	Hinge, rear door female, lower (Replaced by 68707-92001 or 68708-92001)③	2	45V. LV
AH	68712-39610	Bush, door hinge	8	45V. LV
	★68707 92000	Hinge sub-assy, rear door, lower RH (includes illustrations—AE, AG~AI of Fig.—85)	1	45V. LV
	68707-92001	Hinge sub-assy, rear lower RH③	1	45V. LV
	★68708 92000	Hinge sub-assy, rear door, lower LH	1	45V. LV
	68708-92001	Hinge sub-assy, rear door, lower LH③	1	45V. LV
AI	★68771 92000*	Hinge, rear door male, lower (Replaced by 68707-92000 or 68708-92000)	2	45V. LV
	68771-92001*	Hinge, rear door male, lower (Replaced by 68707-92001 or 68708-92001)③	2	45V. LV
AJ	★91111 40816	Bolt (hex-hd. 8—1.25p×16)	32	
	91111-50816	Bolt (hex-hd. 8—1.25p×16)④	32	
AK	94511-00800	Washer, spring (8)	32	
AL	94612-10800	Washer, plate (8×1.6)	32	

★ Old Part

① up to Frame No. FJ45 24185

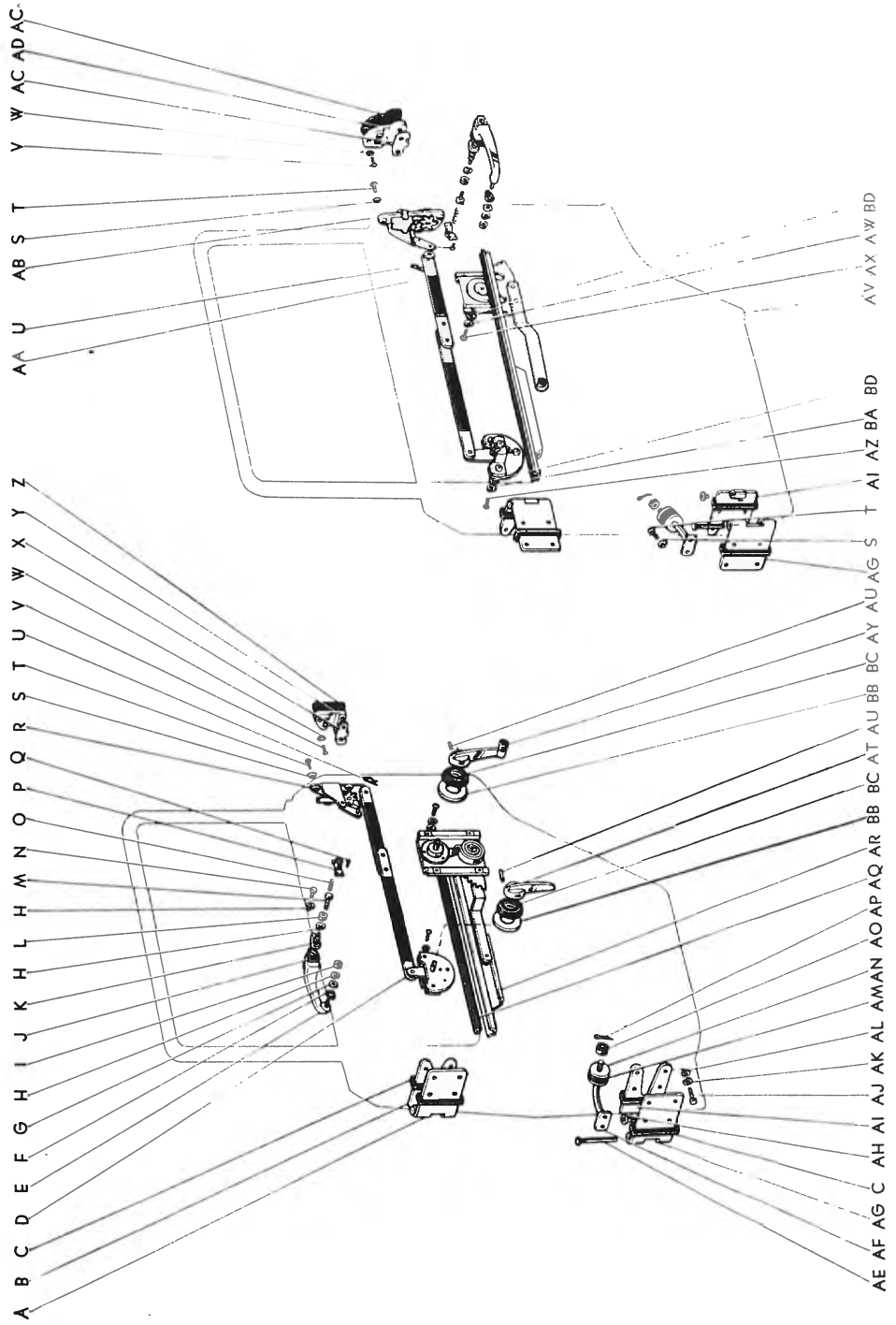
② from Frame No. EJ45 24186

③ from Frame No. FJ45 28187

④ from Frame No. FJ45 27210

BODY

FIG.—85(a) REAR DOOR LOCK & WINDOW REGULATOR (FJ45V, 45LV)



Toyota Land Cruiser

295-2

ILLUS- TRATION	PART NO.	NOMENCLATURE	P E R VEHICLE	MODEL
(FIG.85)				
AM	68914-92000	Stopper rubber, door open	2	45V. LV
AN	68913-92000	Washer, door open stopper rubber	4	45V. LV
AO	94110-40800	Nut (hex. 8—1.25p)	4	
AP	95381-02018	Pin, cotter	2	
AQ	68171-92000	Rubber (For rear door window glass skirt)	2	45V. LV
AR	65603-91311	Holder sub-assy, door glass, RH	1	45V. LV
	65604-91311	Holder sub-assy, door glass, LH	1	45V. LV
AS	*65602 91301	Escutcheon sub-assy, door regulator handle-②	4	45V. LV
AT	*65521 91101	Handle, door inside	2	45V. LV
	69271-91336	Handle, door inside-①	2	45V. LV
AU	*65522 91101	Pin, door inside handle	4	45V. LV
	69993-91336	Pin, window regulator handle set-①	4	45V. LV
AV	*69710-92000	Regulator assy, door window, RH (includes illustration—AR of Fig.—85)	1	45V. LV
	69710-92001	Regulator assy, door window, RH-①	1	45V. LV
	*69720 92000	Regulator assy, door window, LH	1	45V. LV
	69720-92001	Regulator assy, door window, LH-①	1	45V. LV
AW	94523-00600	Washer, toothed (6)	8	
AX	93210-16010	Screw (fl-hd. 6—1.0p×10)	8	
AY	*65601-91101	Handle sub-assy, door regulator	2	45V. LV
	69260-95400	Handle assy, window regulator-①	2	45V. LV
AZ	93210-15016	Screw (rd-hd. 5—0.9p×16)	6	
BA	94523-00500	Washer, toothed (5)	6	
BB	69991-91336	Packing, handle	4	45V. LV
BC	69992-91336	Seat, window regulator handle-①	4	45V. LV
BD	67149-92000	Spacer, door window regulator-①	8	45V. LV

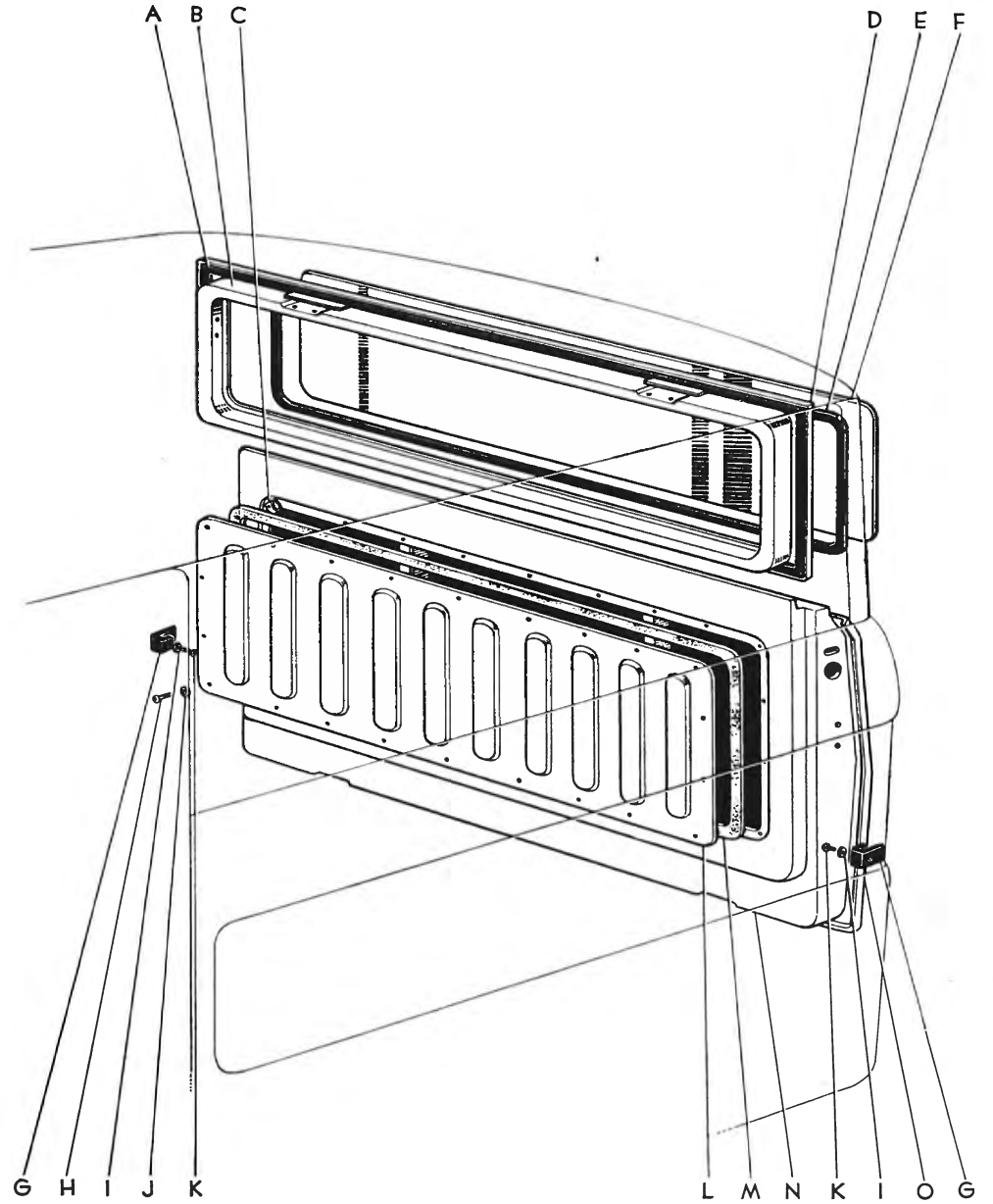
★ Old Part

① from Frame No. FJ45 24186

② up to Frame No. FJ45-24185

BODY

FIG.—86 REAR GATE & GLASS (FJ45V, 45LV)



B 1298

Toyota Land Cruiser

297

ILLUS- TRATION	PART NO.	NOMENCLATURE	P E R VEHICLE	MODEL
Rear Gate & Glass (FJ45V, 45LV)				
(FIG.86)				
★	67600-92000*	Gate assy, lift -(Replaced by 67950-92000) (includes illustrations—K, V, X of Fig.—79, illustrations—A, B, D~F of Fig.—86 and illustrations—F, Q~AB, AK of Fig.—87)	1	45V. LV
	67600-92170*	Gate assy, lift -(Replaced by 67950-92170) (from Frame No. FJ45-24696) (Originally in use for U.S.A. only) (includes illustrations—A, B, D~F of Fig.—86 and illustrations—F, Q~AB, AK of Fig.—87)	1	45V. LV
★	67950-92000	Gate assy, lift (includes illustrations—B, D of Fig.—86)	1	45V. LV
	67950-92170	Gate assy, lift -(from Frame No. FJ45-24696) (Originally in use for U.S.A. only)	1	45V. LV
	67900-92100	Gate assy, tail (includes illustrations—C, G~O of Fig.—86 and illustrations—D, F~P, V, AC~AJ, AL, AP, AR~AW, AY~BE of Fig.—87)	1	45V. LV
A	68452-92000	Weatherstrip, lift gate	1	45V. LV
	68453-92000	Weatherstrip, lift gate, lower	1	45V. LV
B	★67906-92000*	Gate sub-assy, lift inner -(Replaced by 67950-92000)	1	45V. LV
	67906-92170*	Gate sub-assy, lift inner -(Replaced by 67950-92170) (from Frame No. FJ45-24696) (Originally in use for U.S.A. only)	1	45V. LV
C	★67924-92000*	Nut, speed -(Replaced by 94341-60400)	22	45V. LV
	94341-60400	Nut, spring	22	45V. LV
D	67951-92000*	Panel, lift gate outer -(Replaced by 67950-92170)	1	45V. LV
E	67942-92000	Rubber, lift gate window	1	45V. LV
F	★67941-92000*	Glass, lift gate window -(Replaced by 67941-92001)	1	45V. LV
	★67941-92170*	Glass, lift gate window (For U.S.A.) -(Replaced by 67941-92001)	1	LV
	67941-92001	Glass, lift gate window	1	45V. LV
G	67911-91105	Packing, tail gate supporter	2	45V. LV
H	93540-14012	Screw, tapping	22	
I	94612-10400	Washer, plate (4×0.6)	2	
J	94512-00400	Washer, spring (4)	22	

↓ ★ Old Part

BODY

FIG.—86 REAR GATE & GLASS (FJ45V, 45LV)

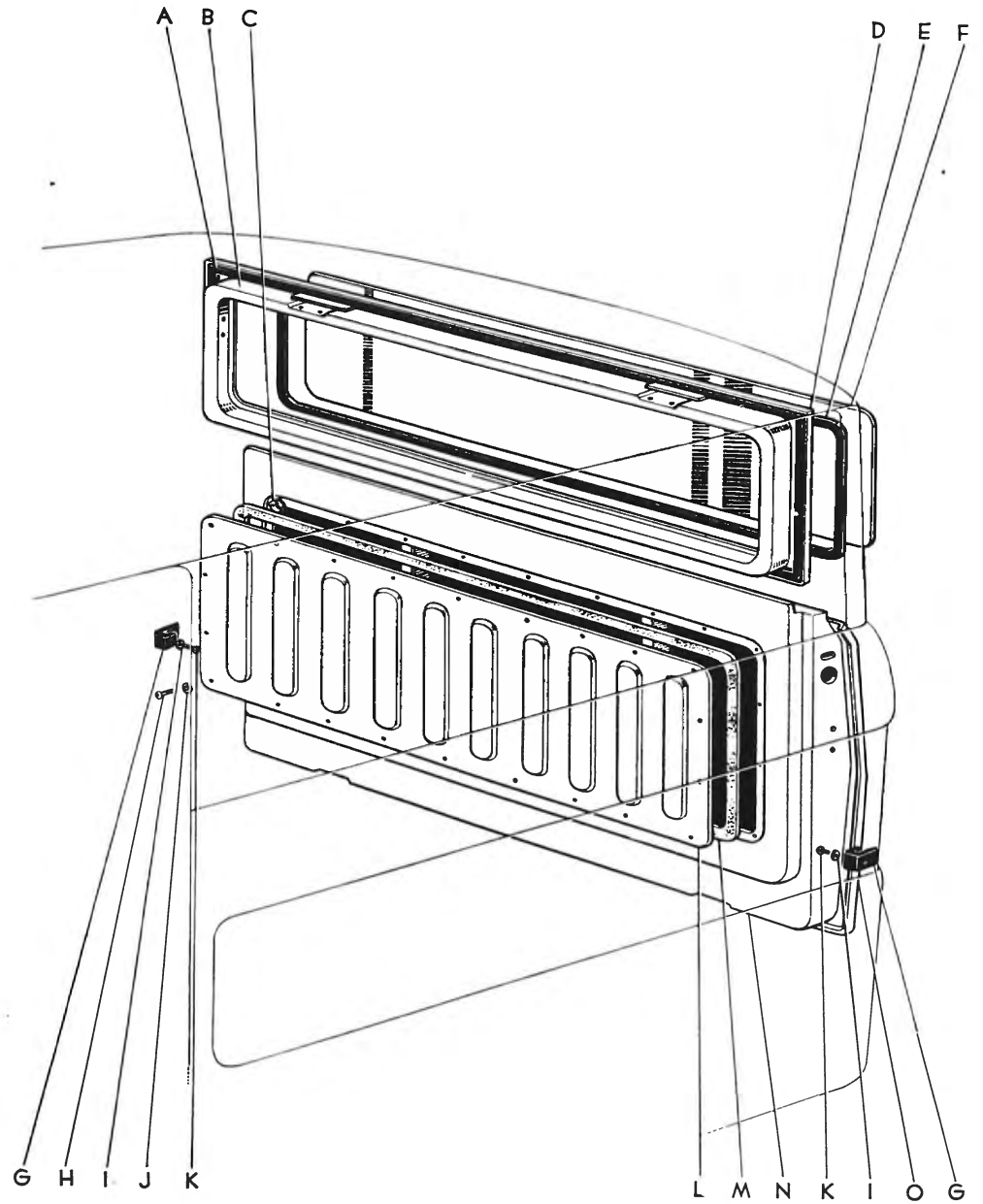
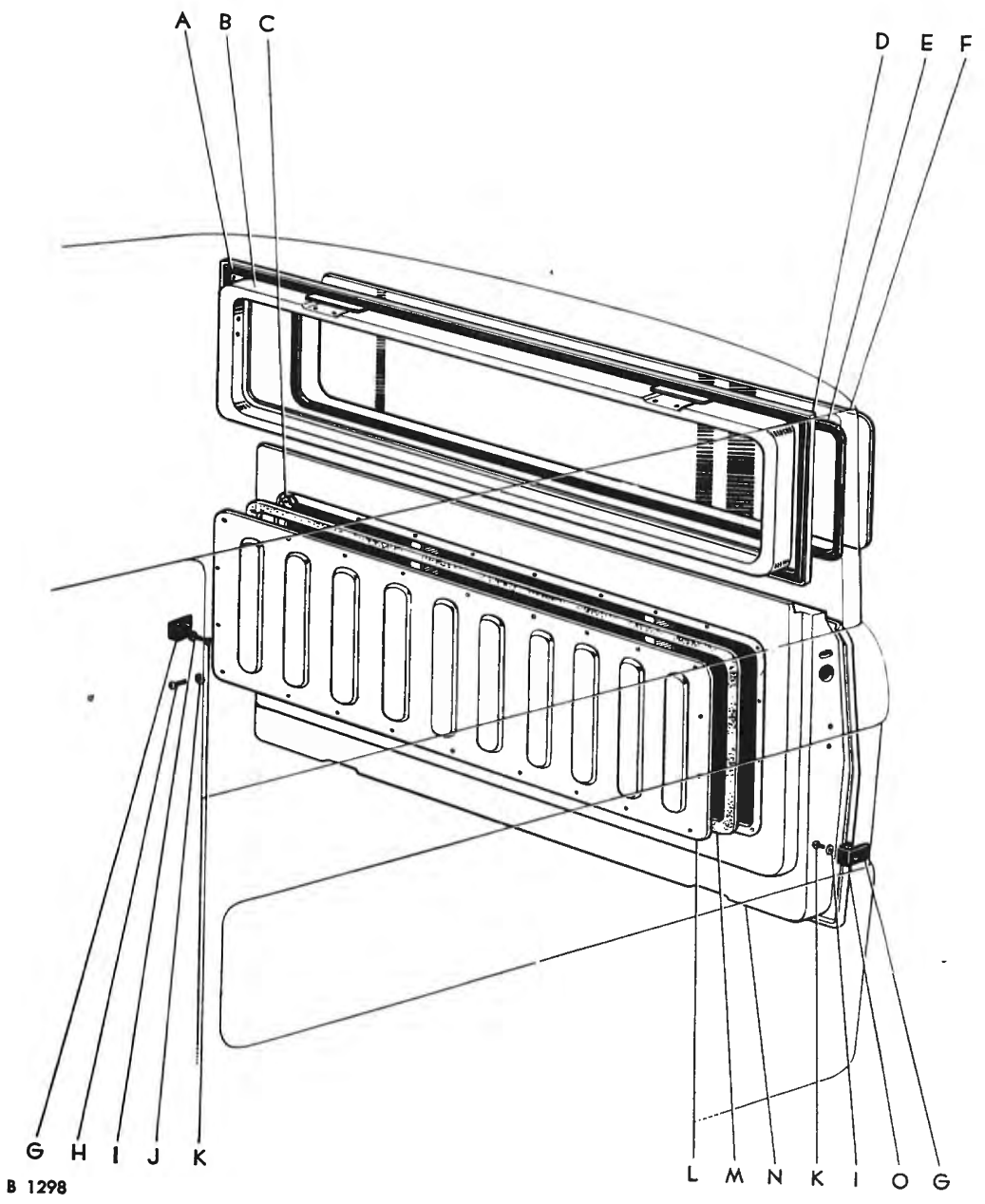


FIG.—86 REAR GATE & GLASS (FJ45V, 45LV)



B 1298

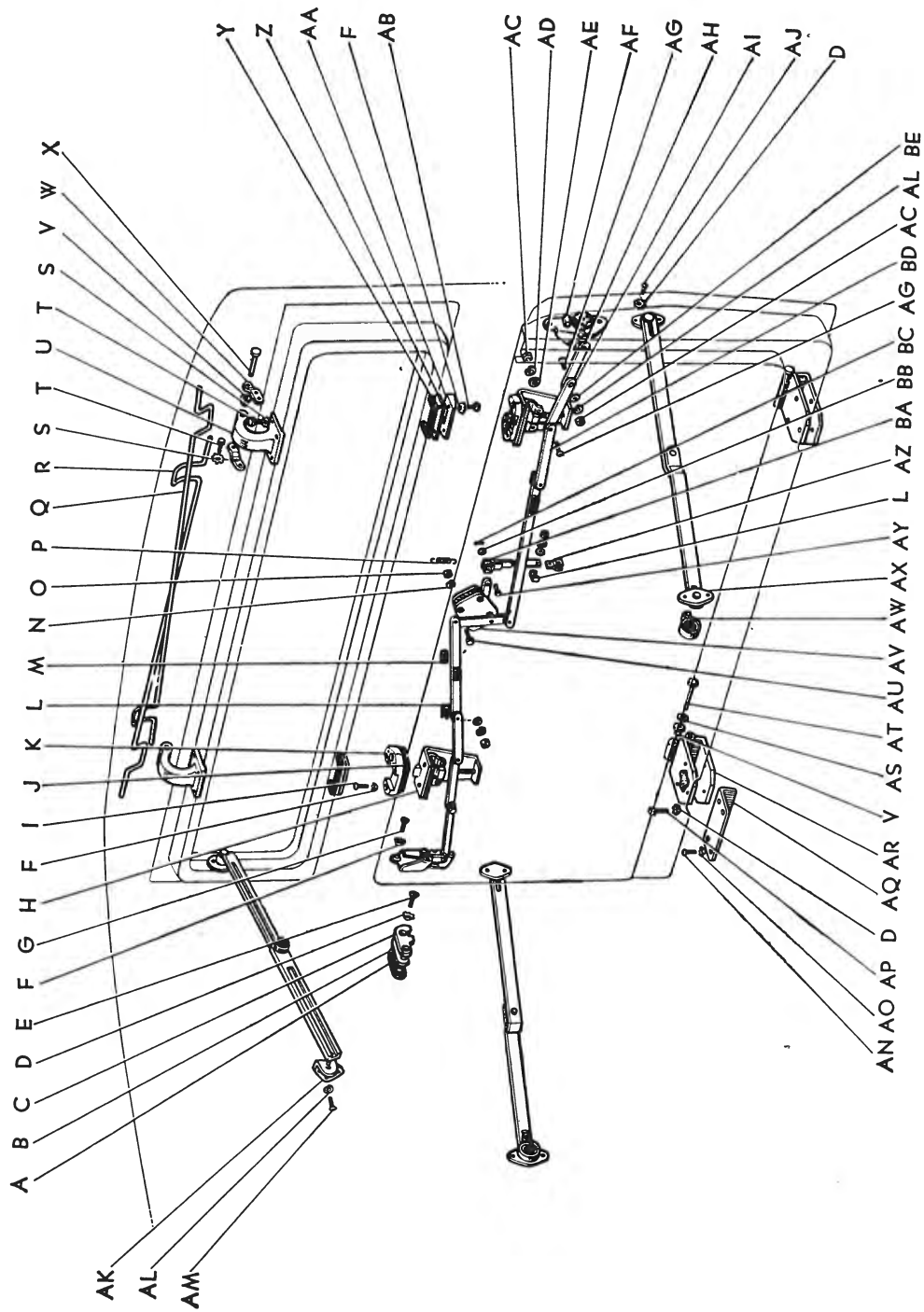
Toyota Land Cruiser

297-2

ILLUS- TRATION	PART NO.	NOMENCLATURE	P E R VEHICLE	MODEL
(FIG.86)				
K	93210-14025	Screw (rd-hd. 4—0.75p×25)	2	
L	67923-92000	Cover, tail gate inner panel	1	45V. LV
M	67925-92000	Packing, tail gate inner panel cover	1	45V. LV
	67910-92100	Gate sub-assy, tail (includes illustrations—N, O of Fig.—86)	1	45V. LV
N	67902-92000*	Panel sub-assy, tail gate inner -(Replaced by 67910-92100)	1	45V. LV
O	67901-92100*	Panel sub-assy, tail gate outer -(Replaced by 67910-92100)	1	45V. LV

BODY

FIG.—87 REAR GATE LOCK & HINGE (FJ45V, 45LV)



B 1299

ILLUS-
TRATION F

(FIG.87)

A	694
	683
B	694
	694
C	694
	694
D	945
E	932
F	945
G	932
H	693
	693
I	932
J	694
K	694
	694
L	765
	941
	945
	946
M	765
N	945
O	941
P	683
Q	649
R	649
S	945
T	911
U	688
V	653
W	688
X	688
Y	694
Z	694
	694

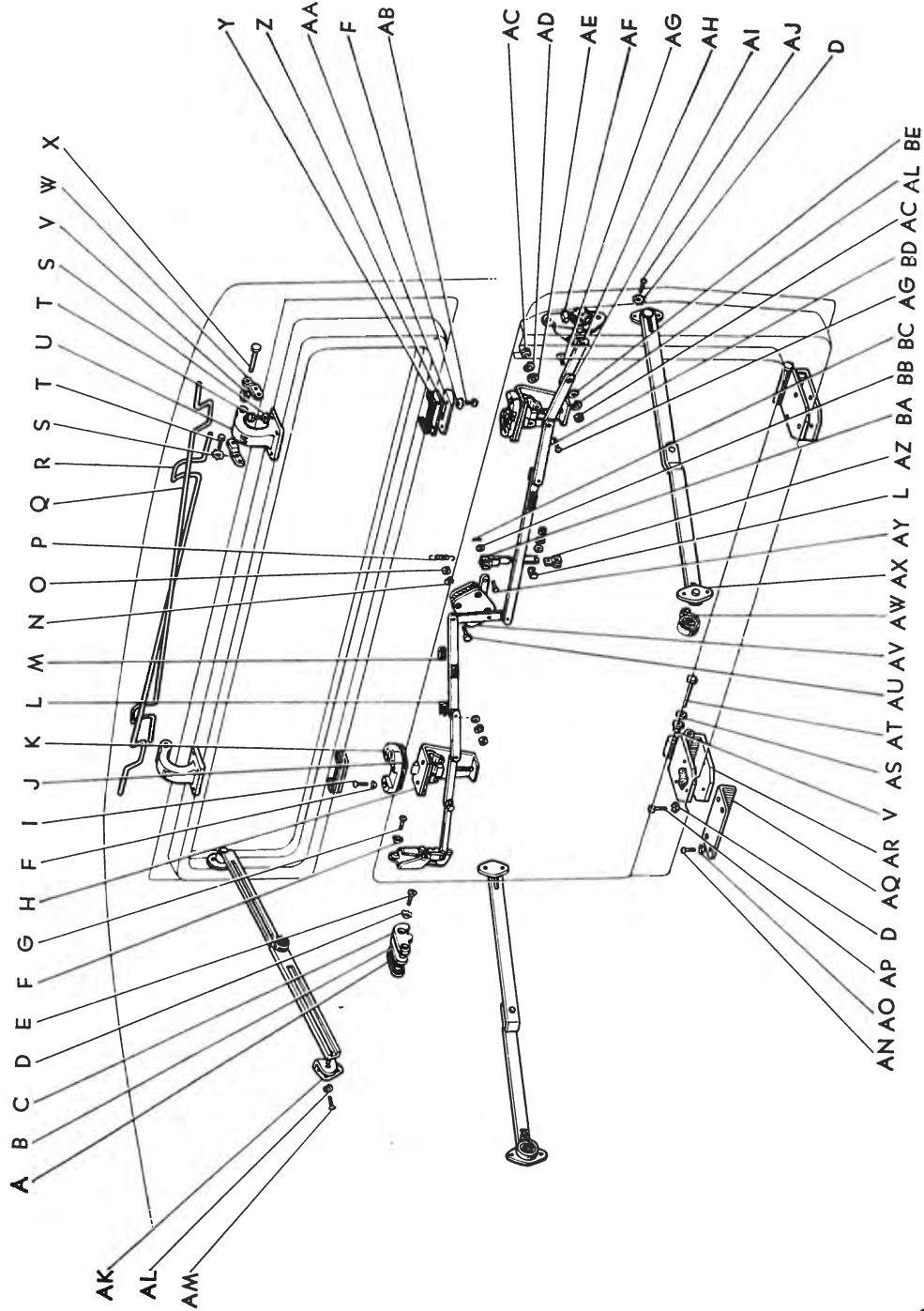


Toyota Land Cruiser

ILLUS- TRATION	PART NO.	NOMENCLATURE	P E R VEHICLE	MODEL
Rear Gate Lock & Hinge (FJ45V, 45LV)				
(FIG.87)				
A	69478-91105	Plate, tail gate lock striker	2	45V. LV
	68311-92000	Liner, tail gate lock check (thk.=2.3, 1.6)	0~2	45V. LV
B	69428-91105	Striker, tail gate lock, RH	1	45V. LV
	69429-91105	Striker, tail gate lock, LH	1	45V. LV
C	69463-91105	Gear, tail gate lock striker, RH	1	45V. LV
	69464-91105	Gear, tail gate lock striker, LH	1	45V. LV
D	94524-00800	Washer, toothed (8)	24	
E	93220-18030	Screw (fl-hd. 8-1.25p×30)	4	
F	94524-00600	Washer, toothed (6)	16	
G	93220-16016	Screw (fl-hd. 6-1.0p×16)	6	
H	69350-91107	Lock assy, lift gate, RH	1	45V. LV
	69360-91107	Lock assy, lift gate, LH	1	45V. LV
I	93220-16020	Screw (fl-hd. 6-1.0p×20)	4	
J	69488-91107	Seat, gate hold striker plate insert	2	45V. LV
K	69480-91107	Insert assy, gate lock striker plate, RH	1	45V. LV
	69490-91107	Insert assy, gate lock striker plate, LH	1	45V. LV
L	76507-91105	Control sub-assy, gate lock remote	3	45V. LV
	94110-40600	Nut (hex. 6-1.0p)	3	
	94511-00600	Washer, spring (6)	3	
	94612-10600	Washer, plate (6×1.0)	3	
M	76528-91105	Silencer, gate remote control	4	45V. LV
N	94512-00500	Washer, spring (5)	3	
O	94110-40500	Nut (hex. 5-0.9p)	3	
P	68321-92000	Spring, tail gate lock lever back	1	45V. LV
Q	64911-91107	Bar, lift gate torsion, RH	1	45V. LV
R	64912-91107	Bar, lift gate torsion, LH	1	45V. LV
S	94523-00800	Washer, toothed (8)	16	
T	91111-40816	Bolt (hex-hd. 8-1.25p×16)	16	
U	68804-92000	Hinge sub-assy, lift gate (includes illustrations—V~X of Fig.—87)	2	45V. LV
V	65328-91101	Bushing, nylon	8	45V. LV
W	68881-91107	Bracket, lift gate hinge	4	45V. LV
X	68892-91107	Pin, lift gate hinge	2	45V. LV
Y	69485-91107	Seat, gate lock striker plate insert	2	45V. LV
Z	69486-91107	Shim, gate lock striker plate, No.1 (thk.=2.3)	0~2	45V. LV Optional specifications
	69487-91107	Shim, gate lock striker plate, No.2 (thk.=3.2)		

BODY

FIG.—87 REAR GATE LOCK & HINGE (FJ45V, 45LV)



B 1299

ILLUS-TRATION

(FIG.87)

AA	6'
AB	9:
AC	9:
AD	9:
AE	9:
AF	6:
AG	9:
AH	6:
AI	6:
AJ	9:
AK	6:
AL	9:
AM	9:
AN	9:
AO	9:
AP	9:
AQ	5:
AR	6:
AS	6:
AT	7:
AU	9:
AV	6:
AW	7:
AX	6:
AY	7:
AZ	6:
BA	6:
BB	7:



Toyota Land Cruiser

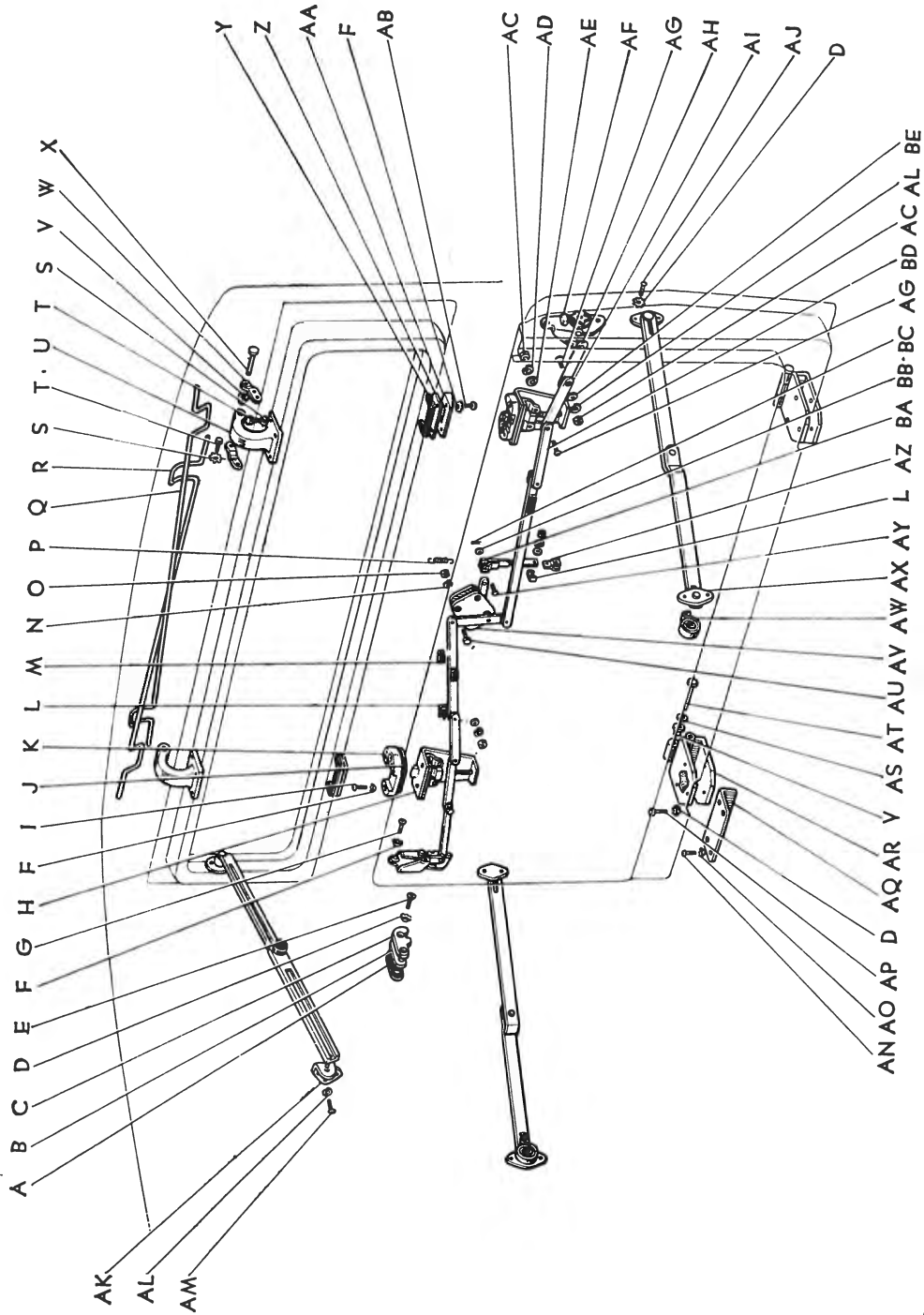
301

ILLUS- TRATION	PART NO.	NOMENCLATURE	P E R VEHICLE	MODEL
(FIG.87)				
AA	69489-91107	Insert, gate lock striker plate	2	45V. LV
AB	93230-16016	Screw (oval-hd. 6-1.0p×16)	4	
AC	94110-40600	Nut (hex. 6-1.0p)	6	
AD	94512-00600	Washer, spring (6)	4	
AE	94613-10600	Washer, plate (6×1.0)	4	
AF	65420-91301	Lock assy, door, LH (For tail gate)	1	45V. LV
	65410-91301	Lock assy, door, RH (For tail gate)	1	45V. LV
AG	93210-16016	Screw (rd-hd. 6-1.0p×16)	6	
AH	68431-92000	Rod, tail gate lock connect	2	45V. LV
	68403-92001	Rod sub-assy, lift gate lock connect (includes illustrations—AC, AG~AI, AL, BE of Fig.—87)	2	45V. LV
AI	69669-91107	Rod, gate lock remote control	2	45V. LV
AJ	93220-18025	Screw (fl-hd. 8-1.25p×25)	8	
AK	68410-92000	Stay assy, tail gate, RH	1	45V. LV
	68420-92000	Stay assy, tail gate, LH	1	45V. LV
AL	94511-00600	Washer, spring (6)	12	
AM	91111-40612	Bolt (hex-hd. 6-1.0p×12)	10	
AN	93540-14016	Screw, tapping	8	
AO	94524-00400	Washer, toothed (4)	4	
AP	93220-18020	Screw (fl-hd. 8-1.25p×20)	12	
AQ	58375-92000	Cover, tail gate hinge	2	45V. LV
AR	68805-91107	Hinge sub-assy, tail gate (includes illustrations—V, AS, AT of Fig.—87)	2	45V. LV
AS	65329-91101	Ring, door hinge bushing	4	45V. LV
AT	76333-91105	Pin, tail gate hinge	2	45V. LV
AU	91111-40525	Bolt (hex-hd. 5-0.9p×25)	3	
	69660-91107	Control assy, gate lock remote (includes illustrations—F, H~M, AV, AY~BD of Fig.—87)	1	45V. LV
AV	69607-91105	Lever sub-assy, gate lock control	1	45V. LV
AW	76631-91105	Spring, tail gate supporter	1	45V. LV
AX	68990-91107	Supporter assy, tail gate, LH	1	45V. LV
	68980-91107	Supporter assy, tail gate, RH	1	45V. LV
AY	76525-91105	Pin, gate lock remote control rod	2	45V. LV
AZ	69609-91105	Rod sub-assy, gate lock connect, No.2	1	45V. LV
BA	69308-91107	Rod sub-assy, gate lock connect, No.1	1	45V. LV
BB	76529-91105	Washer, gate lock remote control silencer	6	45V. LV



BODY

FIG.—87 REAR GATE LOCK & HINGE (FJ45V, 45LV)



B 1299

ILLUS-
TRATION F

(FIG.87)

BC 953
★696

696
BD 696
BE 946

★ Old Part

Toyota Land Cruiser

303

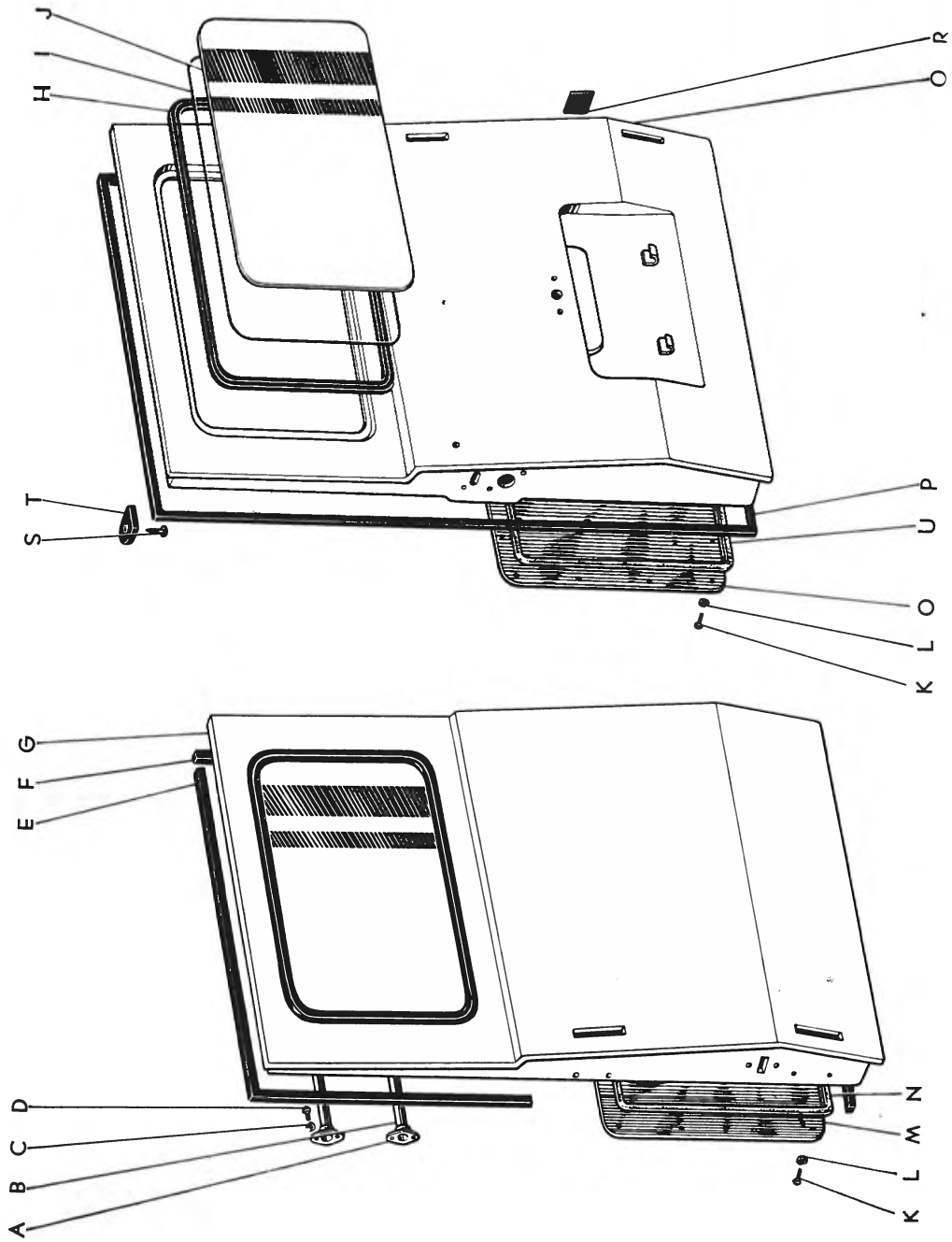
ILLUS- TRATION	PART NO.	NOMENCLATURE	P E R VEHICLE	MODEL
(FIG.87)				
BC	95381-01215	Pin, cotter	2	
	★69660-92000*	Control assy, gate lock remote		
		-(Replaced by 69600-92000)	1	45V. LV
		(includes illustrations—F, H~P, AC~AI, AL, AU, AV, AY~BE of Fig.—87)		
	69600-92000	Control assy, gate lock remote	1	45V. LV
BD	69669-92000	Rod, gate lock remote control	2	45V. LV
BE	94612-10600	Washer, plate (6×1.0)	2	

★ Old Part

BODY

AN AO AP D AQ AR V AS AT AU AV AW AX AY L AZ BA BB BC AG BD AC AL BE

FIG.—88 BACK DOOR & WINDOW GLASS OPT (FJ45V, 45LV)



B 1300-B

(FIG.88)

★67

★67

★67

67

★67

★67

★67

67

A ★68

★68

B ★68

★68

C ★94

D ★93

E 68

F 68

G ★67

★67

★67

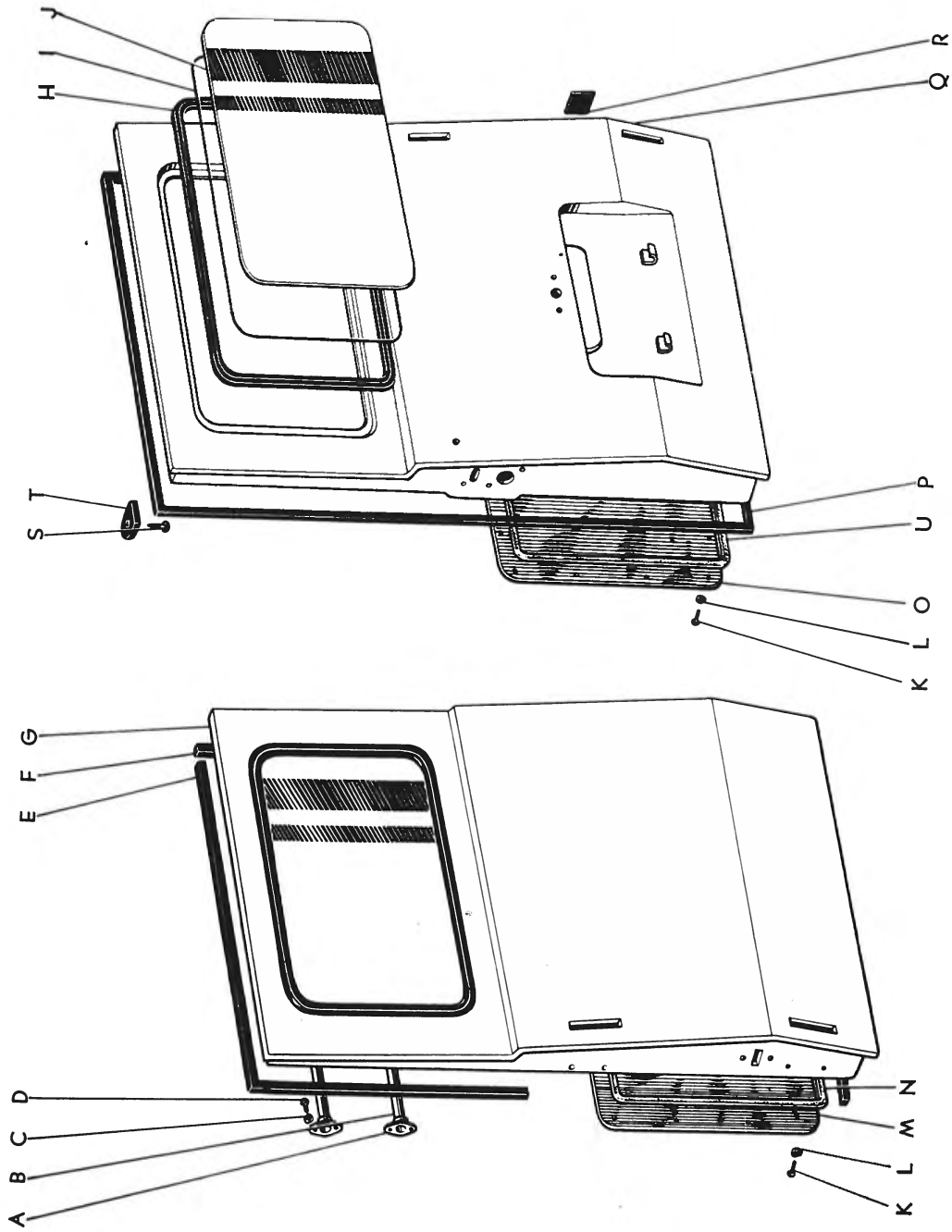
★67

67

Toyota Land Cruiser

ILLUS- TRATION	PART NO.	NOMENCLATURE	P E R VEHICLE	MODEL
Back Door & Window Glass OPT (FJ45V, 45LV)				
(FIG.88)				
	★67910-92050*	Door assy, back, RH-(Replaced by 67010-92050) (includes illustrations—A~D, H~L, O~R of Fig.—88 and illustrations—A~E, O~AN, BE~BH of Fig.—89)	1	45V. LV
	★67910-92150*	Door assy, back, RH-(Replaced by 67010-92150)	1	45V. LV
	★67910-92151*	Door assy, back, RH-(Replaced by 67010-92151) (from Frame No. FJ45-24611)	1	45V. LV
	67910-92152*	Door assy, back, RH-(Replaced by 67010-92153) (from Frame No. FJ45-25485)	1	45V. LV
	★67920-92050*	Door assy, back, LH-(Replaced by 67020-92050) (includes illustrations—A~N, R of Fig.—88 and illustrations— A~H, L~N, P, T, W, X, Z~AE, AG~AK, AM~AU, AW, AY~BD of Fig.—89)	1	45V. LV
	★67920-92051*	Door assy, back, LH-(Replaced by 67020-92051) (from Frame No. FJ45-24611)	1	45V. LV
	★67920-92150*	Door assy, back, LH-(Replaced by 67020-92150) (from Frame No. FJ45-24696)	1	45V. LV
	67920-92151*	Door assy, back, LH-(Replaced by 67020-92152) (from Frame No. FJ45-25485)	1	45V. LV
A	★68442-92050	Bracket, back door window protector	8	45V. LV
	★68442-92051	Bracket, back door window protector (up to Frame No. FJ45-24695)	8	45V. LV
B	★68441-92050	Pipe, back door window protector	4	45V. LV
	★68441-92051	Pipe, back door window protector (up to Frame No. FJ45-24695)	4	45V. LV
C	★94524-00400	Washer, toothed (4)	16	
D	★93230-14016	Screw (oval-hd. 4—0.75p×16)	16	
E	68422-92050	Weatherstrip, back door, LH	1	45V. LV
F	68423-92050	Weatherstrip, back door inner	1	45V. LV
G	★67020-92050	Door sub-assy, back, LH	1	45V. LV
	★67020-92051	Door sub-assy, back, LH-(from Frame No. FJ45-24611)	1	45V. LV
	★67020-92150	Door sub-assy, back, LH-(from Frame No. FJ45-24696)	1	45V. LV
	★67020-92151*	Door sub-assy, back, LH-(Replaced by 67020-92152) (from Frame No. FJ45-25485)	1	45V. LV
	67020-92152	Door sub-assy, back, LH (includes illustrations—D~H, L~N, W, X, AP~AT, BK of Fig.— 88)	1	45V. LV

FIG.—88 BACK DOOR & WINDOW GLASS OPT (FJ45Y, 45LV)



ILLUS-TRATIO

(FIG.88)

H	(
I	(
J	★(
K	(
L	(
M	(
N	(
O	(
P	(
Q	★(
	★(
	★(
	(
R	(
S	(
T	(
U	(
	(

B 1300-B

Toyota Land Cruiser

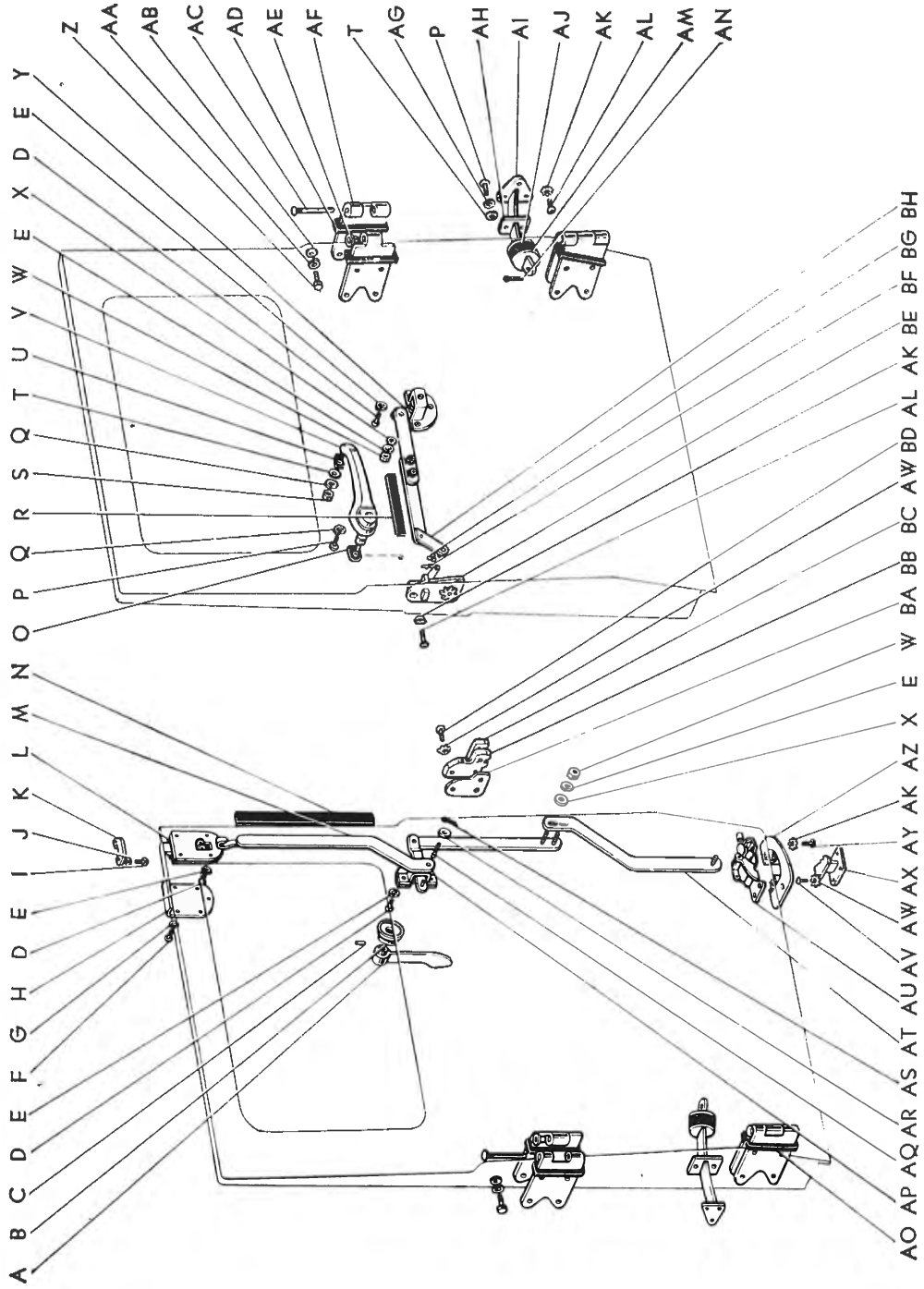
305-2

ILLUS- TRATION	PART NO.	NOMENCLATURE	P E R VEHICLE	MODEL
(FIG.88)				
H	68371-92900	Weatherstrip, back door window	2	45V. LV
I	68372-92900	Weatherstrip, back door, outer	2	45V. LV
J	★67941-92100	Glass, back door window (Replaced by 67941-92050)	2	45V. LV
	67941-92050	Glass, back door window	2	45V. LV
K	93540-14016	Screw, tapping	26	
L	94511-00400	Washer, spring (4)	26	
M	68412-92050	Cover, back door inner hole, LH	1	45V. LV
N	68424-92050	Weatherstrip, back door lower, LH	1	45V. LV
O	68411-92050	Cover back door inner hole, RH	1	45V. LV
P	68421-92050	Weatherstrip, back door, RH	1	45V. LV
Q	★67010-92050	Door sub-assy, back, RH	1	45V. LV
	★67010-92150	Door sub-assy, back, RH	1	45V. LV
	★67010-92151*	Door sub-assy, back, RH (Replaced by 67010-92153) (from Frame No. FJ45-25485)	1	45V. LV
	67010-92153	Door sub-assy, back, RH (includes illustrations—Y, BF~BH of Fig.—88)	1	45V. LV
R	98427-92050	Rubber, door open stopper silencer	2	45V. LV
S	93530-24020	Screw, tapping	2	45V. LV
T	68437-92050	Rubber, door cushion	1	45V. LV
U	68414-92050	Rubber, back door inner hole cover cushion, LH	1	45V. LV
	68413-92050	Rubber, back door inner hole cover cushion, RH	1	45V. LV

★ Old Part

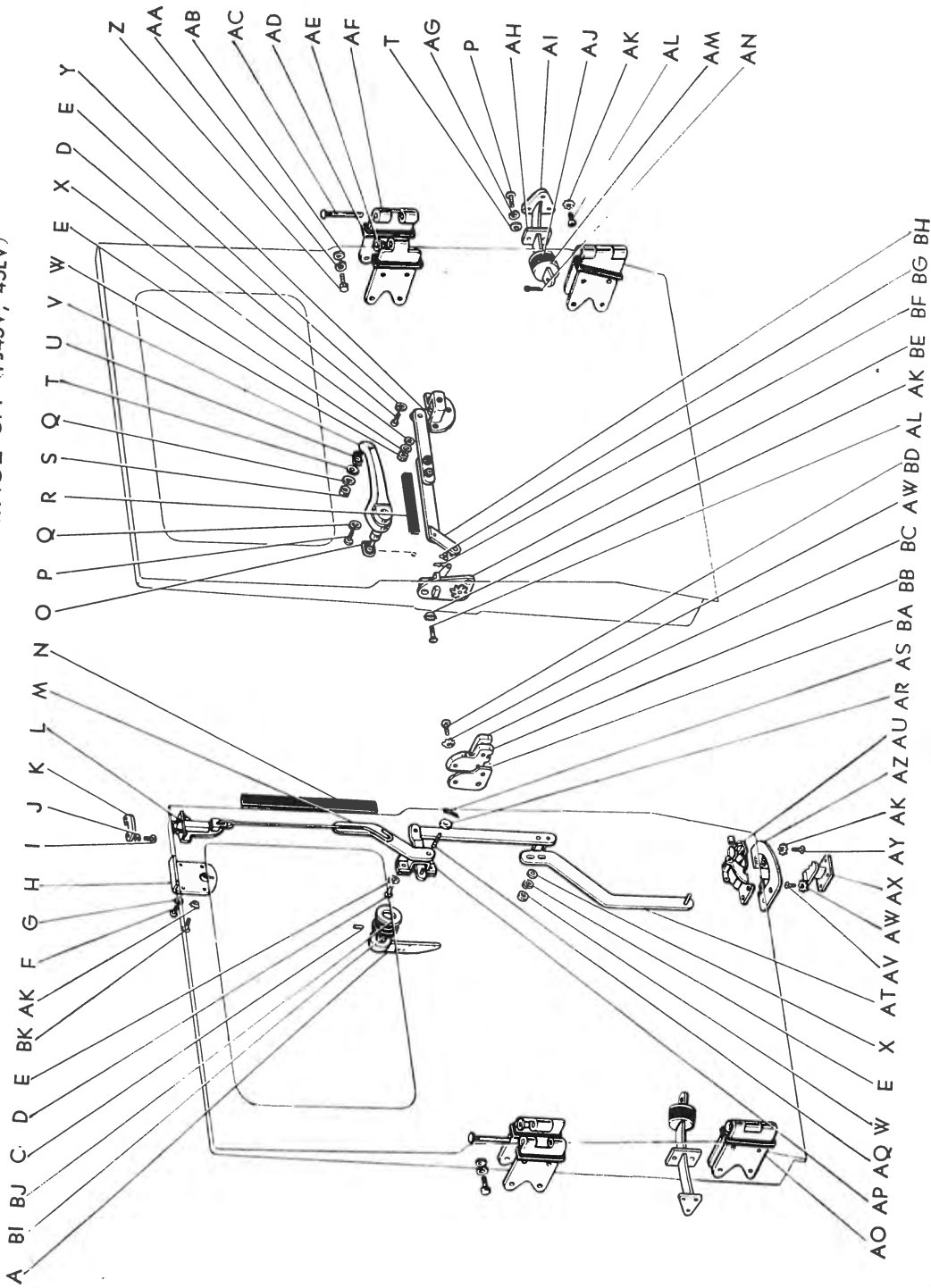
BODY

FIG.—89 BACK DOOR LOCK & HINGE OPT (FJ45V, 45LV)—Old



B 1301

FIG.—89(a) BACK DOOR LOCK & HINGE OPT (FJ45V, 45LV)



B 1301-A

ILLUSTRATION P

(FIG.89)

- A ★6552
6927
- B ★6550
- C ★6552
6999
- D 9321
- E 9451
- F 9354
- G 9451
- H ★6795
6795
- I 93230
- J 9452
- K 6553
- L ★65501
66601
- M ★68431
68431
- N 68429
- O 65477
- P 93210
- Q 94511
- R 68428
- S 94110
- T 94613
- U 65478
- V 65460
- W 94110
- X 94612
- Y ★68420
68420
- Z 91111
- AA 94512
- AB 94613
- AC 68713
- AD ★68714
68714
- AE 68712

★ Old Part
(3) from Frame No



Toyota Land Cruiser

307

ILLUS- TRATION	PART NO.	NOMENCLATURE	PER VEHICLE	MODEL
-------------------	----------	--------------	----------------	-------

Back Door Lock & Hinge OPT (FJ45V, 45LV)

(FIG.89)

A	★65521 91101	Handle, door inside	2	45V. LV
	69271-91336	Handle, door inside (1)	2	45V. LV
B	★65505 91301	Escutcheon sub-assy, door inside handle (2)	2	45V. LV
C	★65522 91101	Pin, door inside handle	2	45V. LV
	69993-91336	Pin, window Regulator handle set (1)	2	45V. LV
D	93210-15016	Screw (rd-hd. 5-0.9p×16)	10	
E	94511-00500	Washer, spring (5)	13	
F	93540-14016	Screw, tapping	2 (Old=5)	
G	94512-00400	Washer, spring (4)	2 (Old=5)	
H	★67955 92050	Cover, back door lock	1	45V. LV
	67955-92051	Cover, back door lock (1)	1	45V. LV
I	93230-15010	Screw (oval-hd. 5-0.9p×10)	2	
J	94524-00500	Washer, toothed (5)	2	
K	65533-91103	Check, back door, LH upper	1	45V. LV
L	★65501-91103	Lock sub-assy, back door, LH	1	45V. LV
	66601-92050	Lock sub-assy, back door upper, LH	1	45V. LV
M	★68431 92050	Lever, back door lock control upper	1	45V. LV
	68431-92051	Lever, back door lock control upper	1	45V. LV
N	68429-92050	Rubber, silencer, LH	2	45V. LV
O	65477-91301	Pad, door lock outside handle	1	45V. LV
P	93210-16020	Screw (rd-hd. 6-1.0p×20)	5	
Q	94511-00600	Washer, spring (6)	2	
R	68428-92050	Rubber, silencer, RH	1	45V. LV
S	94110-40600	Nut (hex. 6-1.0p)	1	
T	94613-10600	Washer, plate (6×1.0)	5	
U	65478-91301	Pad, door outside handle small	1	45V. LV
V	65460-91301	Handle assy, door outside, RH	1	45V. LV
W	94110-40500	Nut (hex. 5-0.9p)	3	
X	94612-10500	Washer, plate (5×1.0)	4	
Y	★68420 92050	Control assy, door lock remote, RH	1	45V. LV
	68420-92051	Control assy, door lock remote, RH (1)	1	45V. LV
Z	91111-40816	Bolt (hex-hd. 8-1.25p×16)	32	
AA	94512-00800	Washer, spring (8)	32	
AB	94613-10800	Washer, plate (8×1.6)	32	
AC	68713-92000	Pin, front door hinge	4	45V. LV
AD	★68714 92000	Cover, door hinge	8	45V. LV
	68714-92001	Cover, door hinge (3)	8	45V. LV
AE	68712-92000	Bush, door hinge	8	45V. LV

★ Old Part

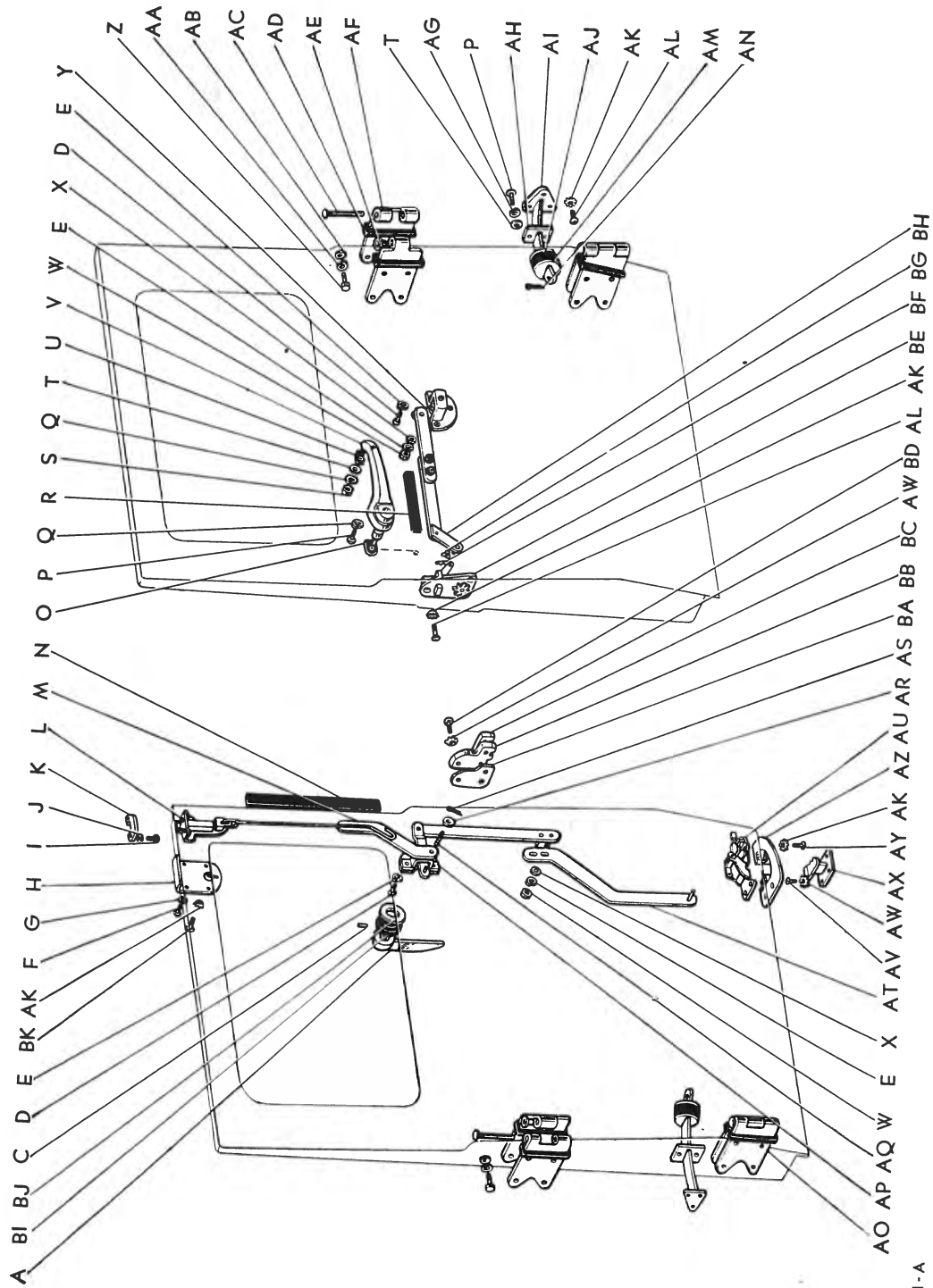
(1) from Frame No. FJ45 24611 (2) up to Frame No. FJ45 24610

(3) from Frame No. FJ45 28158

↓

BODY

FIG.—89(a) BACK DOOR LOCK & HINGE OPT (FJ45V, 45LV)



B 1301-A

ILLUS-TRATION

(FIG.89)

AF	★68
AG	68
AH	94
AI	69
AJ	69
AK	94
AL	93
AM	69
AN	95
AO	★68
AP	68
AQ	65
AR	94
AS	95
AT	68
AU	69
AV	93
AW	94
AX	69
AY	93
AZ	69
BA	654
BB	654
BC	654
BD	654
BE	932
BF	654
BG	655
BH	684
BI	699
BJ	699
BK	932

★ Old Part

Toyota Land Cruiser

309

ILLUS- TRATION	PART NO.	NOMENCLATURE	P E R VEHICLE	MODEL
(FIG.89)				
AF	★68801-92050	Hinge sub-assy, back door, RH (includes illustrations—AC, AE of Fig.—89)	2	45V. LV
	68801-92051	Hinge sub-assy, back door, RH-②	2	45V. LV
AG	94512-00600	Washer, spring (6)	4	
AH	69141-92900	Plate, door open stopper arm guide	2	45V. LV
AI	69104-92900	Stopper sub-assy, door open	2	45V. LV
AJ	69142-92900	Rubber, door open stopper	2	45V. LV
AK	94524-00600	Washer, toothed (6)	12	
AL	93220-16016	Screw (fl-hd. 6—1.0p×16)	9	
AM	69148-92900	Washer, door open stopper rubber	4	45V. LV
AN	95381-04030	Pin, cotter	2	
AO	★68802-92050	Hinge sub-assy, back door, LH (includes illustrations—AC, AE of Fig.—89)	2	45V. LV
	68802-92051	Hinge sub-assy, back door, LH-②	2	45V. LV
AP	68403-92050	Control sub-assy, back door lock, LH	1	45V. LV
AQ	65452-91101	Spring, back door control connect	2	45V. LV
AR	94612-10800	Washer, plate (8×1.6)	2	
AS	95381-02015	Pin, cotter	2	
AT	68432-92050	Lever, back door lock control lower	1	45V. LV
	69340-20010	Lock assy, rear door (includes illustrations—AU, AZ of Fig.—89)	1	45V. LV
AU	69309-20010	Body sub-assy, rear door lock inside, LH	1	45V. LV
AV	93220-18016	Screw (fl-hd. 8—1.25p×16)	4	
AW	94524-00800	Washer, toothed (8)	7	
AX	69420-20010	Plate assy, door lock striker, LH	1	45V. LV
AY	93220-16020	Screw (fl-hd. 6—1.0p×20)	3	
AZ	69305-20010	Body sub-assy, door lock outside, LH	1	45V. LV
BA	65453-91301	Packing, door lock striker plate	1	45V. LV
BB	65401-91301	Plate sub-assy, door lock striker, RH	1	45V. LV
BC	65455-91301	Plate, door lock striker, RH	1	45V. LV
	65454-91201	Bracket, door striker, RH	0~1	45V. LV
	65455-91201	Bracket, door striker, LH		
BD	93220-18025	Screw (fl-hd. 8—1.25p×25)	3	
BE	65410-91301	Lock assy, door, RH	1	45V. LV
BF	65582-91301	Pin, door lock remote control connect	1	45V. LV
BG	65581-91301	Washer, door lock remote	1	45V. LV
BH	68402-92050	Plate sub-assy, door lock remote control connect	1	45V. LV
BI	69992-91336	Seat, window regulator handle-①	2	45V. LV
BJ	69991-91336	Packing, handle seat-①	2	45V. LV
BK	93220-16012	Screw (rd-hd. 6—1.0p×12)	3	

★ Old Part

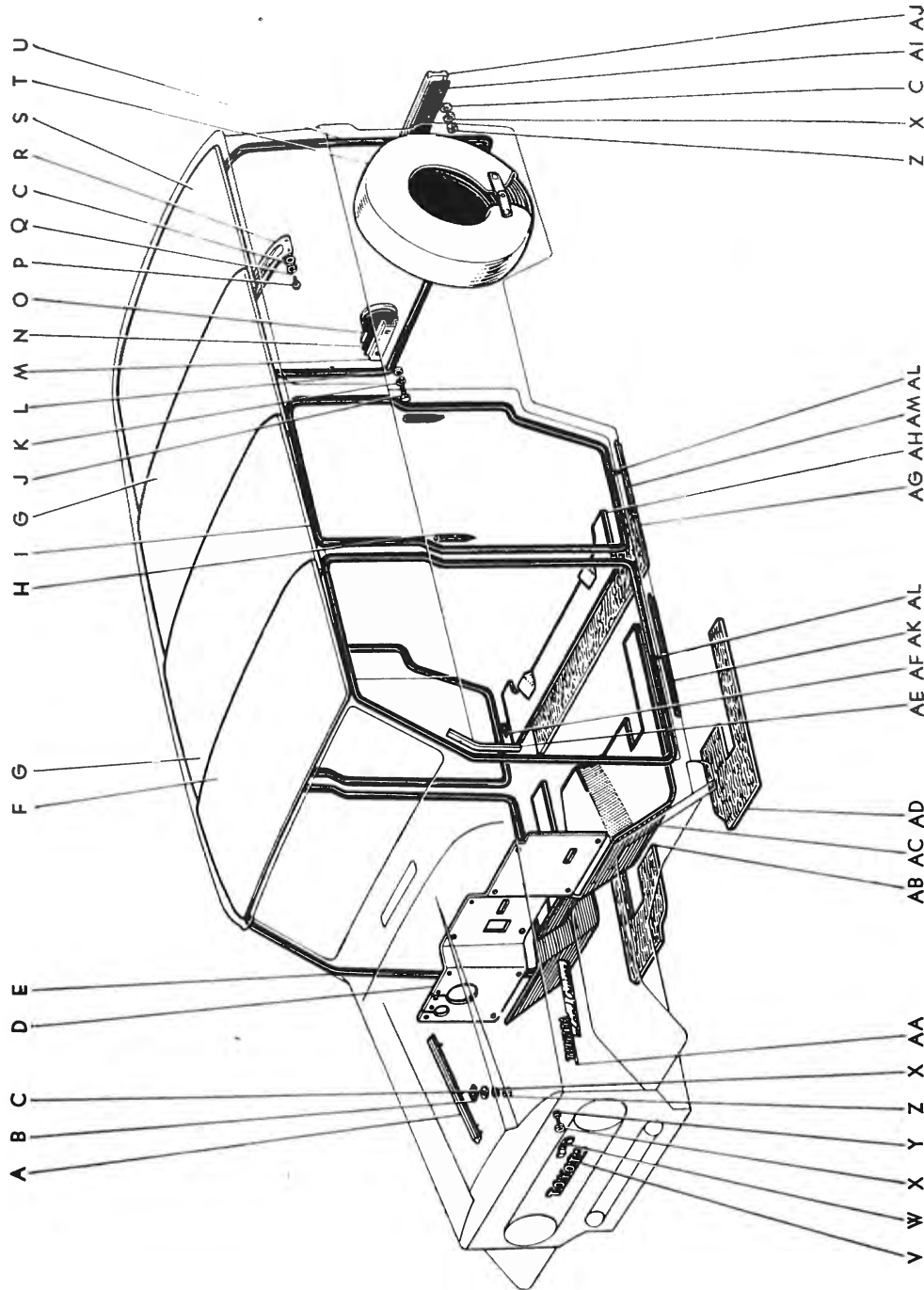
① from Frame No. FJ45-24611

② from Frame No. FJ45-28158

BODY

AO AP AQ W E X ATAV AW AX AY AK AZ AU AR AS BA BB BC AW BD AL AK BE BF BG BH
 B 1301-A

FIG.—90 ROOF SILENCER & MAT (F145V, 45LV)



B 1302-A

(FIG.90)

- A 7530.
- B 7539'
- C 9461
- D 5521
- ★5521
- 5521
- E 6786
- 6786
- 6237
- 6237
- 6237
- F ★6334
- 6334
- G 6334
- H ★6786
- 6786
- I 6786
- 6787
- 6237
- 6237
- 6237
- J 932'
- K 945
- L 946
- M 754.
- N 754.
- O 754
- P 932
- Q 945
- R 631
- S 633
- T 519
- U 684
- 684
- 684

★ Old Part



Toyota Land Cruiser

311

ILLUS- TRATION	PART NO.	NOMENCLATURE	P E R VEHICLE	MODEL
Roof Silencer & Mat (FJ45V, 45LV)				
(FIG.90)				
A	75304-60010	Ornament sub-assy, hood	1	40V. LV. 45V. LV
B	75399-60010	Pad, hood ornament set	3	40V. LV. 45V. LV
C	94613-10600	Washer, plate (6×1.0)	19	
D	55210-92000	Silencer assy, dash panel	1	45V
	★55210 92100	Silencer assy, dash panel	1	LV
	55210-92101	Silencer assy, dash panel	1	LV
E	67861-92000	Weatherstrip, door	2	45V. LV
	67860-92170	Weatherstrp sub-assy, front door opening OPT	1	45V. LV
	62372-30010	Retainer, door opening weatherstrip, A OPT	80	45V. LV
	62373-30010	Retainer, door opening weatherstrip, B OPT	20	45V. LV
	62371-10010	Clip, door opening weatherstrip trim-①	4	45V. LV
F	★63341 92000	Silencer, roof, No.1	1	45V. LV
	63341-92001	Silencer, roof, No.1-②	1	45V. LV
G	63342-92000	Silencer, roof, No.2	2	45V. LV
H	★67863 92000	Rubber, door bumper	8	45V. LV
	67863-92170	Rubber, bumper	8	45V. LV
I	67862-92000	Weatherstrip, rear door	2	45V. LV
	67870-92170	Weatherstrip sud-assy, rear door opening OPT	1	45V. LV
	62372-30010	Retainer, door opening weatherstrip, A OPT	70	45V. LV
	62373-30010	Retainer, door opening weatherstrip, B OPT	20	45V. LV
	62371-10010	Clip, door opening weatherstrip trim-①	8	45V. LV
J	93210-14008	Screw (rd-hd. 4—0.75p×8)	2	
K	94511-00400	Washer, spring (4)	2	
L	94612-10400	Washer, plate (4×0.6)	2	
M	75454-92000	Retainer, rear body, ornament 4-wheel drive	1	45V. LV
N	75463-60010	Pad, rear body ornament 4-wheel drive	1	40V. LV. 45V. LV
O	75453-60010	Ornament, rear body 4-wheel drive	1	40V. LV. 45V. LV
P	93210-16012	Screw (rd-hd. 6—1.0p×12)	12	
Q	94512-00600	Washer, spring (6)	12	
R	63103-92000	Strength sub-assy, roof	3	45V. LV
S	63343-92000	Silencer, roof, No.3	1	45V. LV
T	51901-92000	Cover sub-assy, spare tire	1	45V. LV
U	68451-92000	Weatherstrip assy, lift & tail gate	1	45V. LV
	68425-92050	Strip, back door moulding rubber OPT	1	45V. LV
	68426-92050	Strip, back door moulding rubber OPT	1	45V. LV

★ Old Part

① from Frame No. FJ45 28582

② from Frame No. FJ45 26310

↓

BODY

Z X C A I A J

A G H A I A L

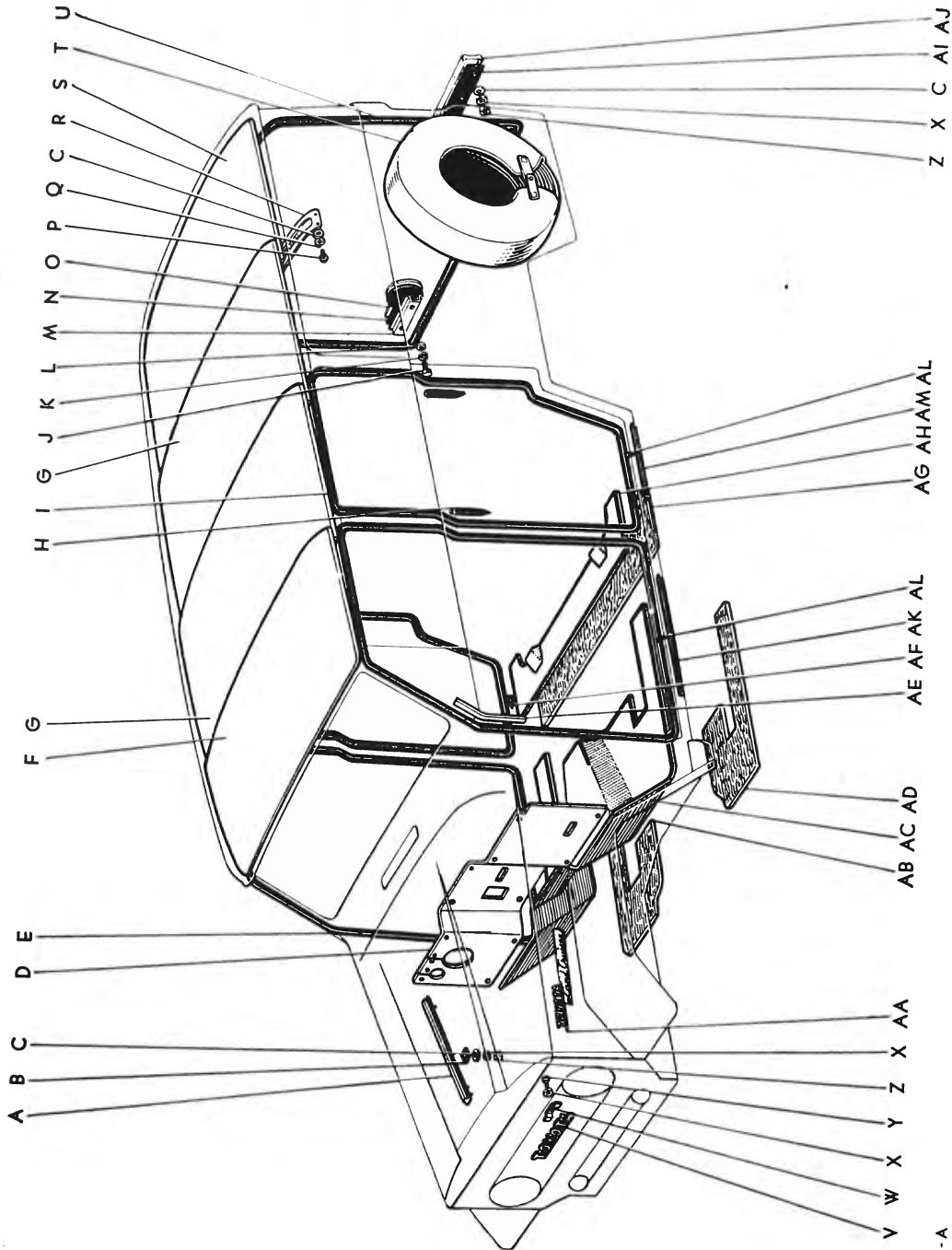
A E F A A

B C

Z

B 1302-A

FIG.—90 ROOF SILENCER & MAT (FJ45V, 45LV)



B 1302-A

ILLUSTRATION

(FIG.90)

- | | |
|----|-------|
| V | 755 |
| W | 755 |
| X | 944 |
| Y | 911 |
| Z | 941 |
| AA | 753 |
| AB | ★585 |
| | 585 |
| AC | ★585 |
| | 585 |
| | ★585 |
| | 585 |
| | ★585 |
| | 585 |
| | ★585 |
| | 585 |
| | ★585 |
| | 585 |
| | ★585 |
| | 585 |
| | ★585 |
| | 585 |
| | ★585 |
| | 585 |
| AD | ★5852 |
| | 5852 |
| AE | 6788 |
| | 6788 |

★ Old Part



Toyota Land Cruiser

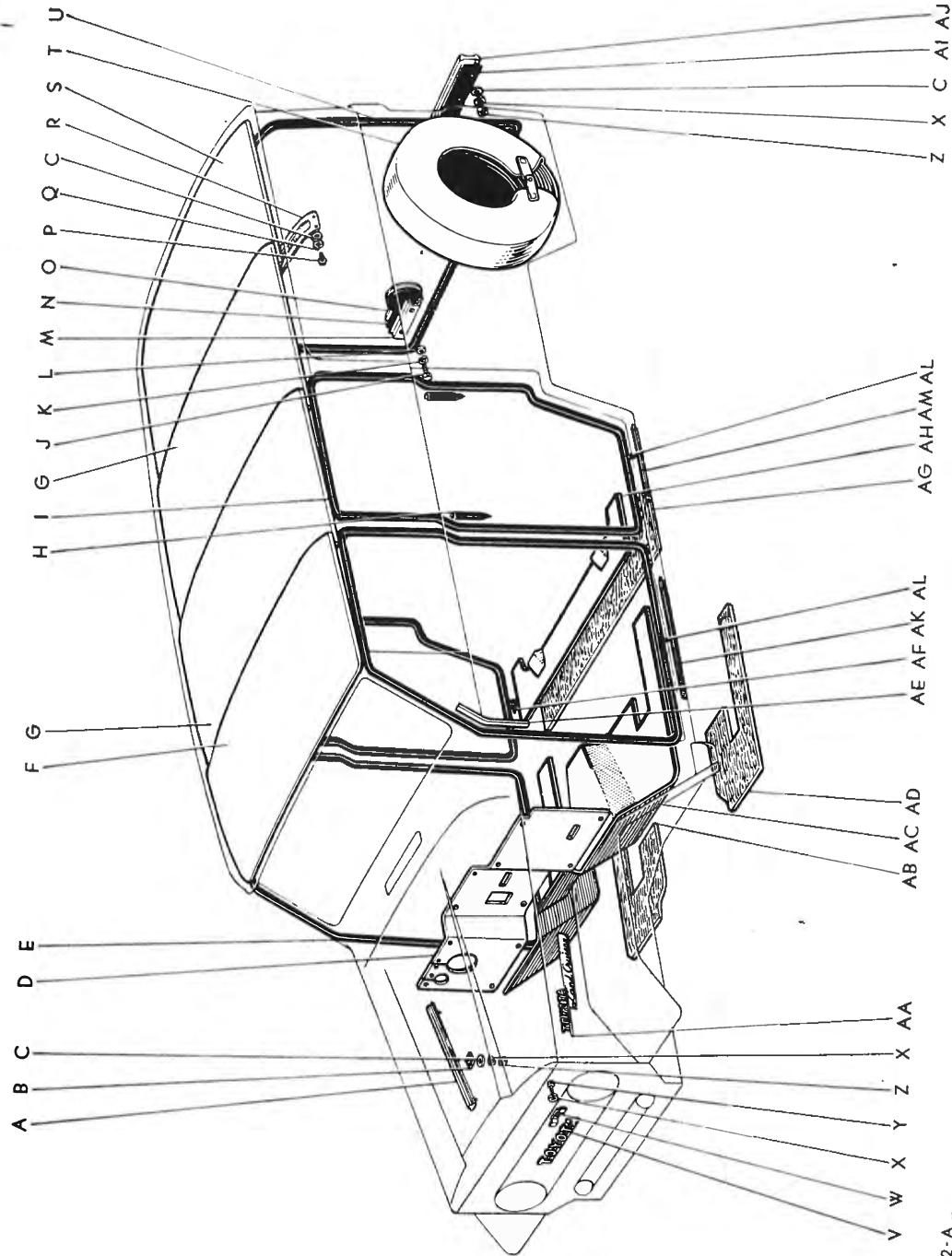
ILLUS-TRATION	PART NO.	NOMENCLATURE	PER VEHICLE	MODEL
(FIG.90)				
V	75321-60010	Plate, radiator grille name	1	40V. LV. 45V. LV
W	75312-60020	Plate, radiator grille ornament set	2	40V. LV. 45V. LV
X	94511-00600	Washer, spring (6)	9	
Y	91111-40612	Bolt (hex-hd. 6-1.0p×12)	2	
Z	94110-40600	Nut (hex. 6-1.0p)	7	
AA	75305-60010	Ornament sub-assy, hood side panel	1	40V. LV. 45V. LV
AB	★58521-92000	Pad, floor silencer front, RH	1	45V. LV
	58521-92100	Pad, floor silencer front, RH-①	1	45V. LV
AC	★58510-92001	Mat assy, floor front	1	45V
	58510-92010	Mat assy, floor front-①	1	45V
	★58510-92100	Mat assy, floor front	1	LV
	58510-92101	Mat assy, floor front-①	1	LV
	★58510-92063	Mat assy, floor front OPT (For power take off control lever(a))	1	45V
	58510-92073	Mat assy, floor front OPT (For power take off control lever(a))-①	1	45V
	★58510-92163	Mat assy, floor front OPT (For power take-off control lever(a))	1	LV
	58510-92166	Mat assy, floor front OPT (For power take-off control lever(a))-①	1	LV
	★58510-92061	Mat assy, floor front OPT (For floor shift)	1	45V
	58510-92071	Mat assy, floor front OPT (For floor shift)-①	1	45V
	★58510-92161	Mat assy, floor front OPT (For floor shift)	1	LV
	58510-92164	Mat assy, floor front OPT (For floor shift)-①	1	LV
	★58510-92062	Mat assy, floor front OPT (For floor shift, power take-off control lever(a))	1	45V
	58510-92072	Mat assy, floor front OPT (For floor shift, power take-off control lever(a))-①	1	45V
	★58510-92162	Mat assy, floor front OPT (For floor shift, power take-off control lever(a))	1	LV
	58510-92165	Mat assy, floor front OPT (For floor shift, power take off control lever(a))-①	1	LV
AD	★58522-92000	Pad, floor silencer front, RH	1	45V. LV
	58522-92100	Pad, floor silencer front LH-①	1	45V. LV
AE	67882-92000	Plate, front door weatherstrip set, LH	1	45V. LV
	67881-92000	Plate, front door weatherstrip set, RH	1	45V. LV

★ Old Part

① from Frame No. FJ45-24696

BODY

FIG. 90 ROOF SILENCER & MAT (FJ45, 45LV)



B 1302-A

ILLUS-
TRATION PA

(FIG. 90)

AF	93540
AG	58561
AH	58550
AI	75442
AJ	75441
AK	57422
AL	93510
AM	57423

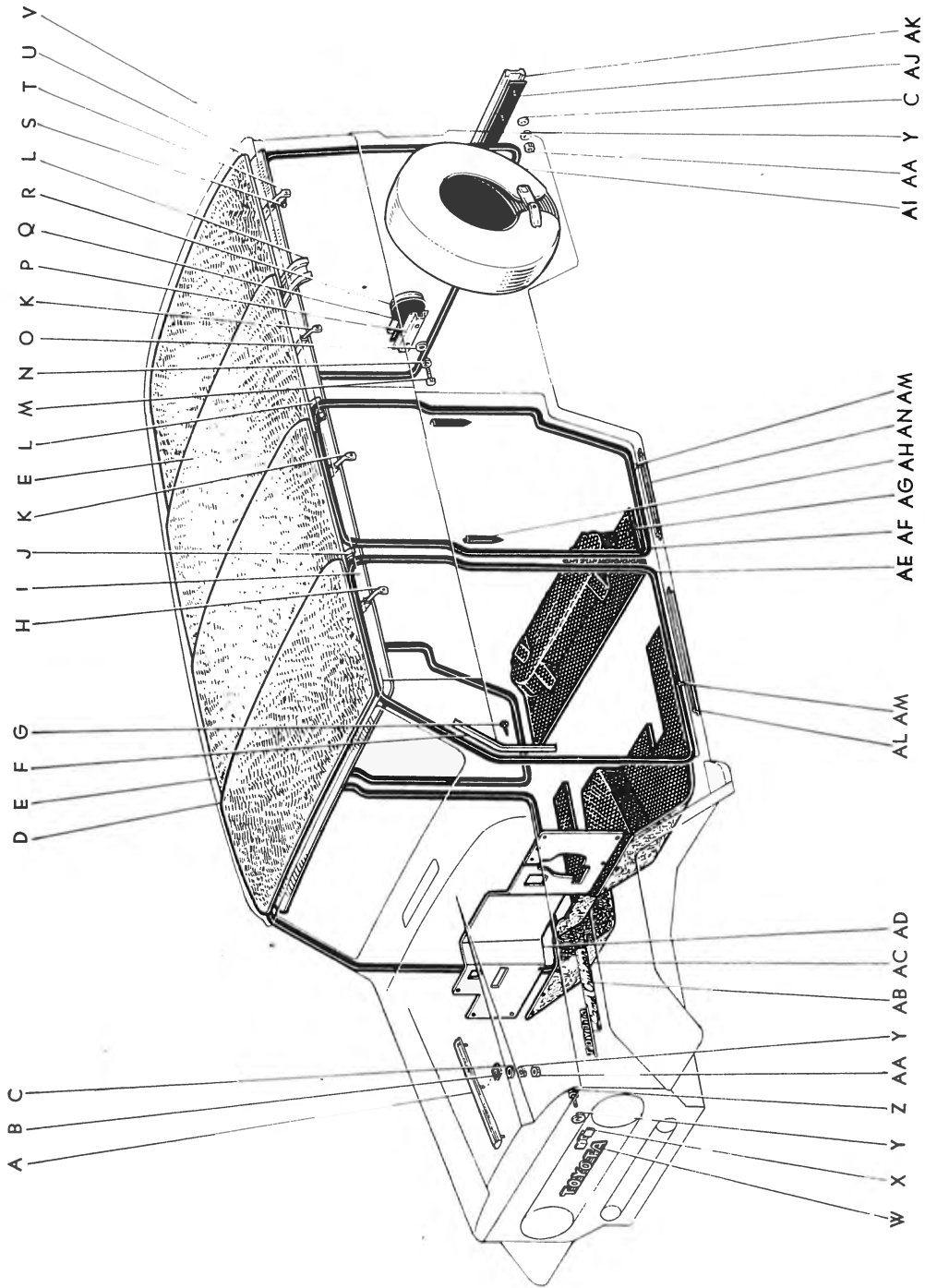
Toyota Land Cruiser

ILLUS- TRATION	PART NO.	NOMENCLATURE	P E R VEHICLE	MODEL
(FIG.90)				
AF	93540-14016	Screw, tapping	10	
AG	58561-92001	Pad, floor silencer	1	45V. LV
AH	58550-92001	Mat assy, floor rear	1	45V. LV
	58550-92011	Mat assy, floor, rear OPT (For seat belt)	1	45V. LV
AI	75442-92000	Pad, plate body rear name	1	40V. LV. 45V. LV
AJ	75441-92000	Plate sub-assy, body rear name	1	40V. LV. 45V. LV
AK	57422-92000	Garnish, side rail front, LH	1	45V. LV
	57421-92000	Garnish, side rail front, RH	1	45V. LV
AL	93510-24010	Screw, tapping	16	
AM	57423-92000	Garnish, side rail rear	2	45V. LV

★ Old Part

BODY

FIG.—91 ROOF SILENCER & MAT (FJ45LV, For U.S.A.)



ILLUS- TRATION PART N

(FIG.91)

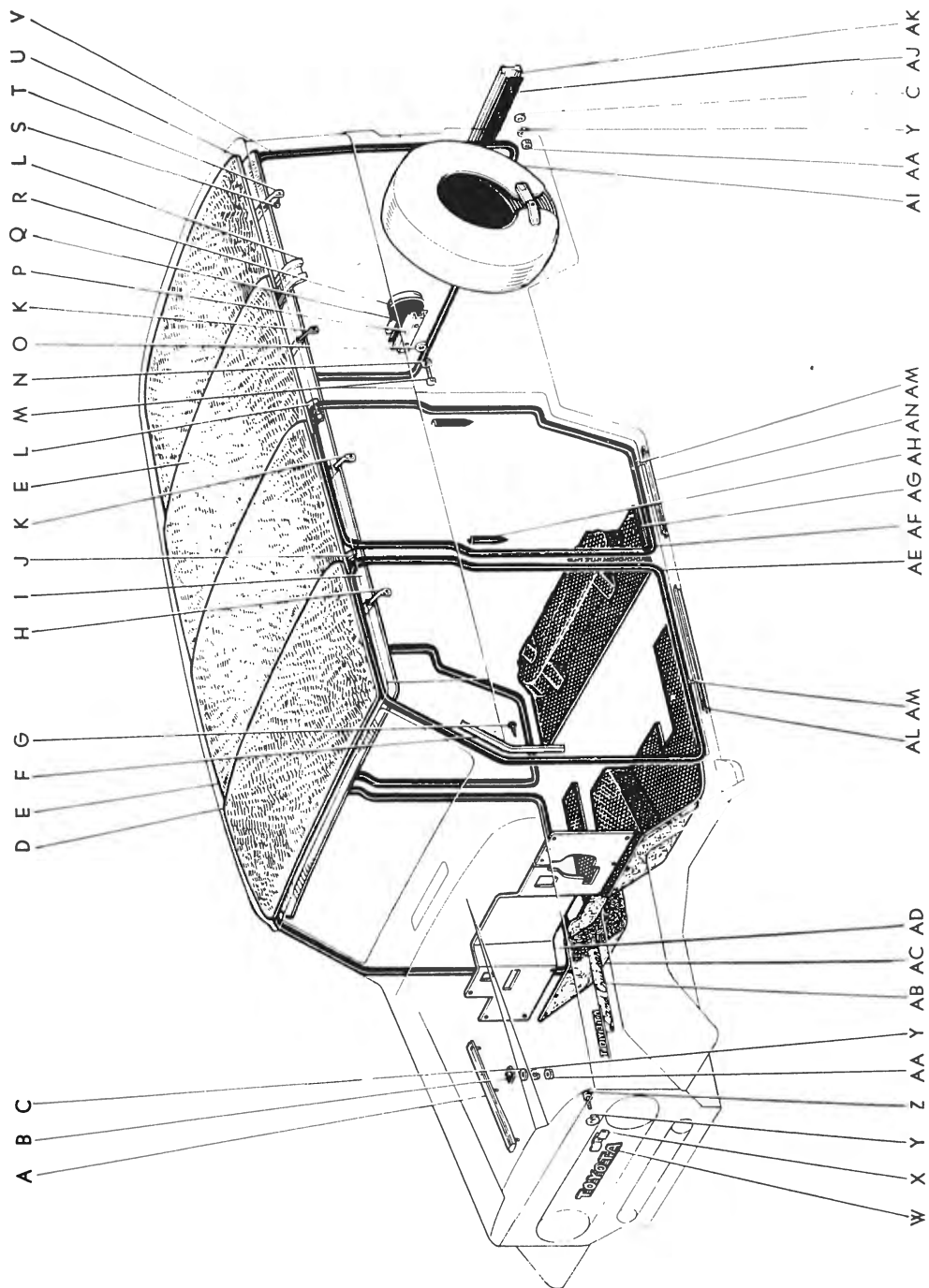
- A 75304-60C
- B 75399-60C
- C 94613-10C
- D 63341-92I
- E 63342-92I
- F 67882-92C
- G 67881-92C
- H 93540-14I
- I 63361-92I
- J 63301-92I
- K 63104-92I
- L 63362-92I
- M 63103-92I
- N 93210-14I
- O 94511-00I
- P 94612-10I
- Q 75454-92I
- R 75463-60I
- S 75453-60I
- T 93530-13I
- U 63363-92I
- V 63343-92I
- W 68451-92I
- X 68425-92I
- Y 68426-92I
- AA 75321-60I
- AB 75312-60I
- AC 94511-00I
- AD 91111-40I
- AE 94110-40I
- AF 75305-60I
- AG 58510-9I
- AH 58510-9I
- AI 58510-9I
- AJ 58510-9I
- AK 58510-9I

B 1332-A

Toyota Land Cruiser

ILLUS- TRATION	PART NO.	NOMENCLATURE	P E R VEHICLE	MODEL
Roof Silencer & Mat (FJ45LV, For U.S.A)				
(FIG.91)				
A	75304-60010	Ornament sub-assy, hood	1	40V. LV. 45V. LV
B	75399-60010	Pad, hood ornament set	3	40V. LV. 45V. LV
C	94613-10600	Washer, plate (6×10)	19	
D	63341-92170	Silencer, roof, No.1	1	LV
E	63342-92170	Silencer, roof, No.2	2	LV
F	67882-92000	Plate, front door weatherstrip set, LH	1	45V. LV
	67881-92000	Plate, front door weatherstrip set, RH	1	45V. LV
G	93540-14016	Screw, tapping	10	
H	63361-92170	Support, roof headlining, No.1	1	LV
I	63301-92170	Headlining sub-assy, roof leather	1	LV
J	63104-92170	Strength sub-assy, roof, No.2	1	LV
K	63362-92170	Support, roof headlining, No.2	2	LV
L	63103-92170	Strength sub-assy, roof, No.1	2	LV
M	93210-14008	Screw (rd-hd. 4—0.75p×8)	2	
N	94511-00400	Washer, spring (4)	2	
O	94612-10400	Washer, plate (4×0.6)	2	
P	75454-92000	Retainer, rear body, ornament 4-wheel drive	1	45V. LV
Q	75463-60010	Pad, rear body ornament 4-wheel drive	1	40V. LV. 45V. LV
R	75453-60010	Ornament, rear body 4-wheel drive	1	40V. LV. 45V. LV
S	93530-13016	Screw, tapping	8	
T	63363-92170	Support, roof headlining, No.3	1	LV
U	63343-92170	Silencer, roof, No.3	1	LV
V	68451-92000	Weatherstrip assy, lift & tail gate	1	45V. LV
	68425-92050	Strip, back door moulding rubber OPT	1	45V. LV
	68426-92050	Strip, back door moulding rubber OPT	1	45V. LV
W	75321-60010	Plate, radiator grille name	1	40V. LV. 45V. LV
X	75312-60020	Plate, radiator grille ornament set	2	40V. LV. 45V. LV
Y	94511-00600	Washer, spring (6)	7	
Z	91111-40612	Bolt (hex-hd. 6—1.0p×12)	2	
AA	94110-40600	Nut (hex. 6—1.0p)	7	
AB	75305-60010	Ornament sub-assy, hood side panel	1	40V. LV. 45V. LV
AC	★58510 92170	Mat assy, floor, front	1	LV
	58510-92171	Mat assy, floor, front	1	LV

FIG.—91 ROOF SILENCER & MAT (FJ45LV, For U.S.A.)



B 1332-A

ILLUS-
TRATION PAI

(FIG.91)

AD	★55210
	★55210
	55210
AE	★67861
	67860
	62371
	62371
	62371
AF	★67861
	67870
	62371
	62371
	62371
AG	★5855
	5855
AH	★6786
	6786
AI	5190
AJ	7544
AK	7544
AL	5742
	5742
AM	9351
AN	5742

★ Old Part

Toyota Land Cruiser

ILLUS- TRATION	PART NO.	NOMENCLATURE	P E R VEHICLE	MODEL
(FIG.91)				
AD	★55210 92100	Silencer assy, dash panel	1	LV
	★55210 92101	Silencer assy, dash panel	1	LV
	55210-92170	Silencer assy, dash panel	1	LV
AE	★67861 92000*	Weatherstrip, door (Replaced by 67860-92170)	2	45V. LV
	67860-92170	Weatherstrip sub-assy, front door opening (1)	2	45V. LV
	62372-30010	Retainer, door opening weatherstrip, A	80	45V. LV
	62373-30010	Retainer, door opening weatherstrip, B	20	45V. LV
	62371-10010	Clip, door opening trim 2	4	45V. LV
AF	★67862 92000*	Weatherstrip, rear door (Replaced by 67870-92170)	2	45V. LV
	67870-92170	Weatherstrip sub-assy, rear door opening (1)	1	45V. LV
	62372-30010	Retainer, door opening weatherstrip, A	70	45V. LV
	62373-30010	Retainer, door opening weatherstrip, B	20	45V. LV
	62371-10010	Clip, door opening trim 2	8	45V. LV
AG	★58550 92170	Mat assy, floor, rear (Replaced by 58550-92171)	1	LV
	58550-92171	Mat assy, floor, rear	1	LV
AH	★67863 92000	Rubber, door bumper	8	45V. LV
	67863-92170	Rubber, door bumper	8	45V. LV
AI	51901-92000	Cover sub-assy, spare tire	1	45V. LV
AJ	75442-92000	Pad, plate body rear name	1	40V. LV. 45V. LV
AK	75441-92000	Plate sub-assy, body rear name	1	40V. LV. 45V. LV
AL	57422-92000	Garnish, side rail front, LH	1	45V. LV
	57421-92000	Garnish, side rail front, RH	1	45V. LV
AM	93510-24010	Screw, tapping	16	
AN	57423-92000	Garnish, side rail, rear	2	45V. LV

★ Old Part

① from Frame No. FJ45 25774

② from Frame No. FJ45 28582

BODY

FIG.—92 SEAT & SEAT TRACK (FJ45V, 45LV)—Old

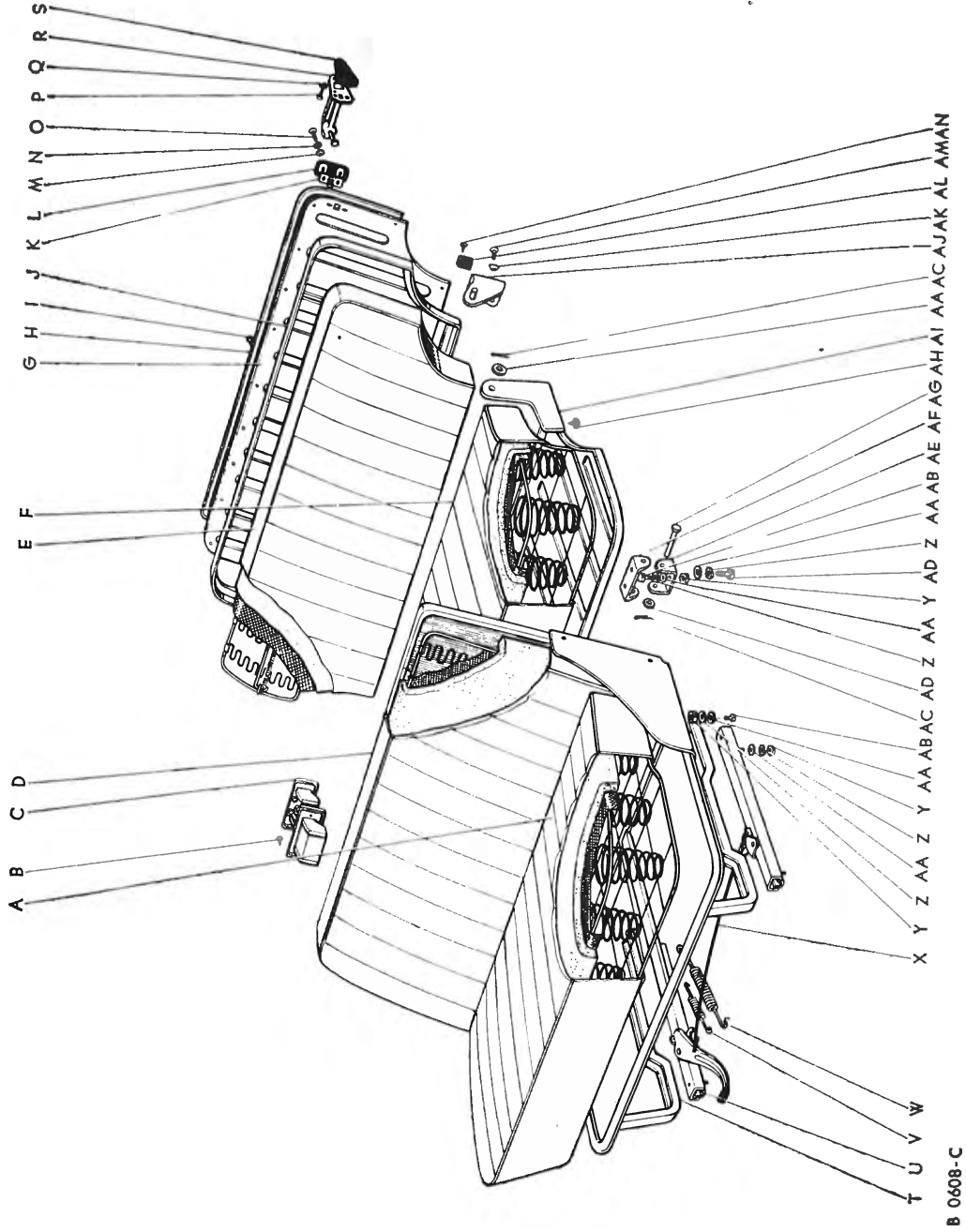
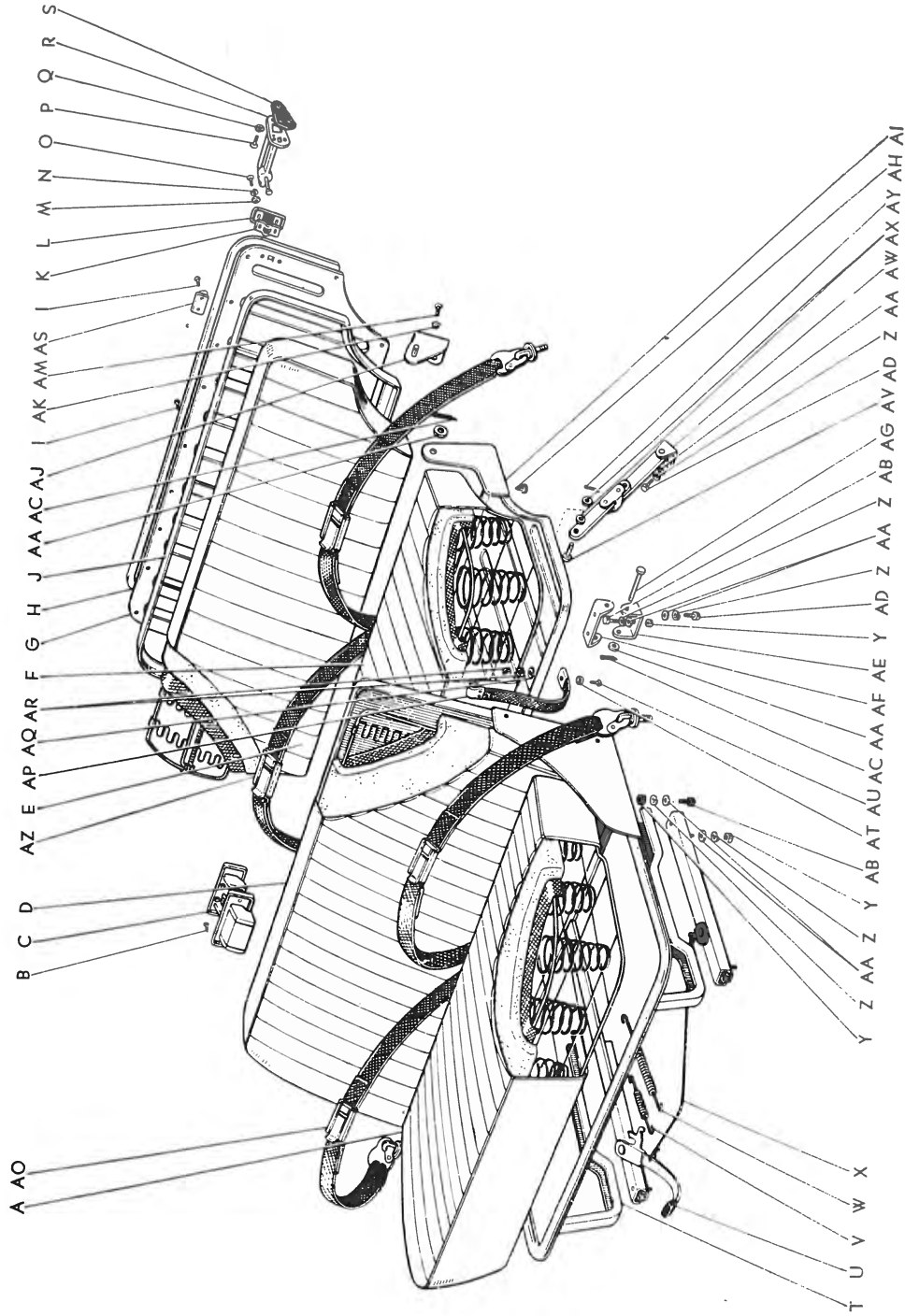


FIG.—92(a) SEAT & SEAT TRACK (F145V, 45LV)



B 1681-A

(FIG.92)

	★71
	71
	★71
	71
	★71
	★71
	71
A	★71
	71
	★71
	71
	★71
	71
B	9:
C	7:
D	★7
	7
	★7
	7
E	★7
	★7
	7
	★7
	★7
	7
	★7
	7

Toyota Land Cruiser

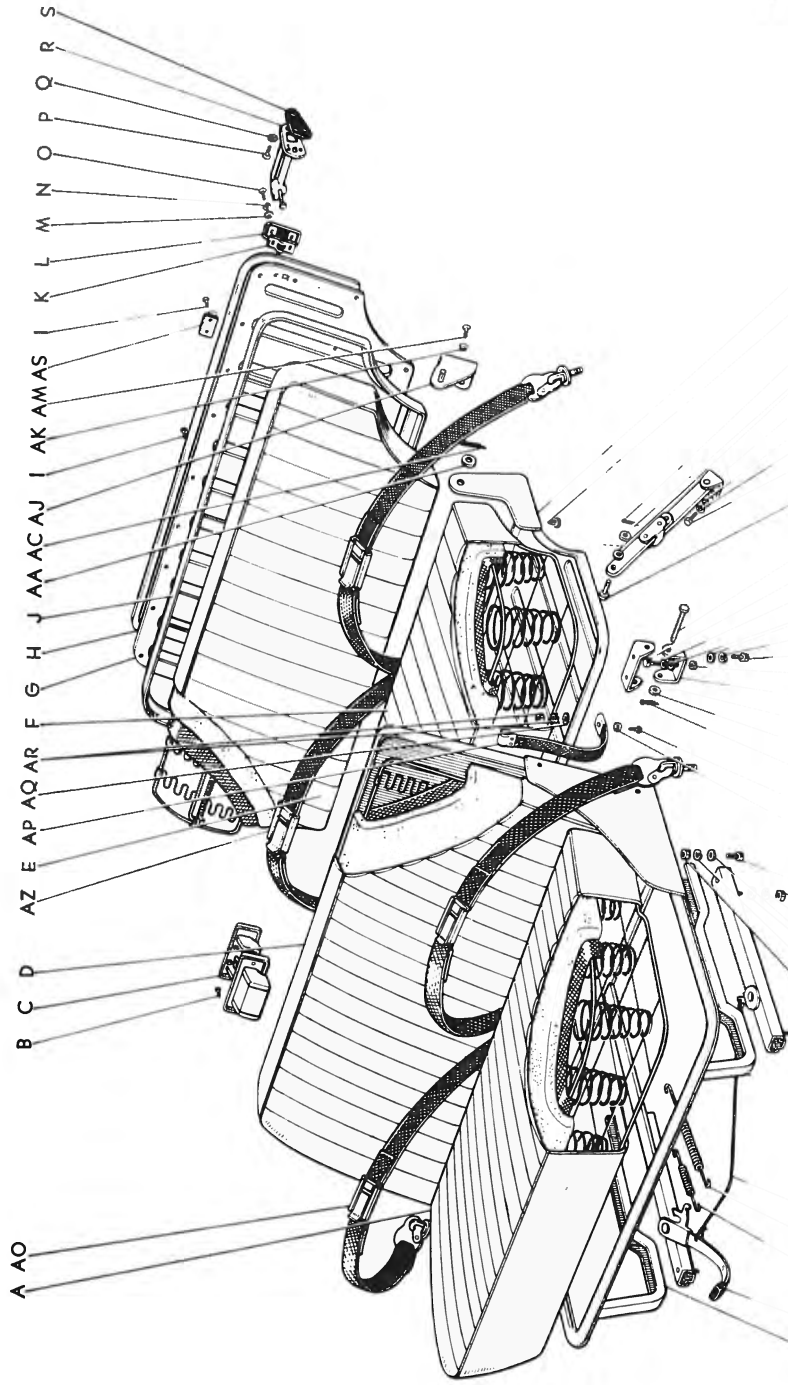
ILLUS- TRATION	PART NO.	NOMENCLATURE	PER VEHICLE	MODEL
Seat & Seat Track (FJ45V, 45LV)				
(FIG.92)				
	★71100-92001	Seat assy, front (includes illustrations—A~D, T~AB of Fig.—92)	1	45V
	71100-92002	Seat assy, front-①	1	45V
	★71100-92101	Seat assy, front	1	LV
	71100-92170	Seat assy, front (For U.S.A.)-①	1	LV
	★71200-92000*	Seat assy, rear (includes illustrations—E~O, AC~AN of Fig.—92)	1	45V. LV
	★71200-92170*	Seat assy, rear (For U.S.A.)	1	LV
	71200-92171*	Seat assy, rear-①	1	45V. LV
A	★71410-92001*	Cushion assy, front seat	1	45V. LV
	71410-92170	Cushion assy, front seat-① (Originally in use for U.S.A. only)	1	45V. LV
	★71071-92001*	Cover sub-assy, front seat cushion	1	45V. LV
	71071-92170	Cover sub-assy, front seat cushion-① (Originally in use for U.S.A. only)	1	45V. LV
B	93220-24016	Screw (fl-hd. 4—0.75p×16, cr-pltd.)	2	
C	74011-92000	Tray, ash	1	45V. LV
D	★71430-92001	Back assy, front seat	1	45V. LV
	71430-92170	Back assy, front seat-① (Originally in use for U.S.A. only)	1	45V. LV
	★71073-92001	Cover sub-assy, front seat back	1	45V. LV
	71073-92170	Cover sub-assy, front seat back-① (Originally in use for U.S.A. only)	1	45V. LV
E	★71480-92000	Back assy, rear seat (includes illustrations—G~L of Fig.—92)	1	45V. LV
	★71480-92170	Back assy, rear seat (For U.S.A.)	1	LV
	71480-92171	Back assy, rear seat-①	1	45V. LV
	★71077-92001	Cover sub-assy, rear seat back	1	45V. LV
	★71077-92170	Cover sub-assy, rear seat back (For U.S.A.)	1	LV
	71077-92171	Cover sub-assy, rear seat back-①	1	45V. LV
	★71460-92001	Cushion assy, rear seat (includes illustrations—F, AI of Fig.—92)	1	45V. LV
	★71460-92170	Cushion assy, rear seat (For U.S.A.)	1	LV
	71460-92171	Cushion assy, rear seat-①	1	45V. LV

★ Old Part

① from Frame No. FJ45-24696

BODY

FIG.—92(a) SEAT & SEAT TRACK (FJ45V, 45LV)



Y Z AA Z Y AB AT AU AC AA AF AE Y AD Z AA Z AB AG AV AD Z AA AW AX AY AH AJ

T U V W X

B 1681-A

ILLUS-TRATION

(FIG.92)

F	★7
	★7
	7
	★7
	★7
	7
G	7
	7
H	7
	7
I	9
J	7
	7
K	7
L	7
M	5
N	5
O	5
P	5
Q	5
R	5
	5
	5
S	5
T	5
U	★
	★
	★
	★
	★
	★

★ Old
③ from
↓

Toyota Land Cruiser

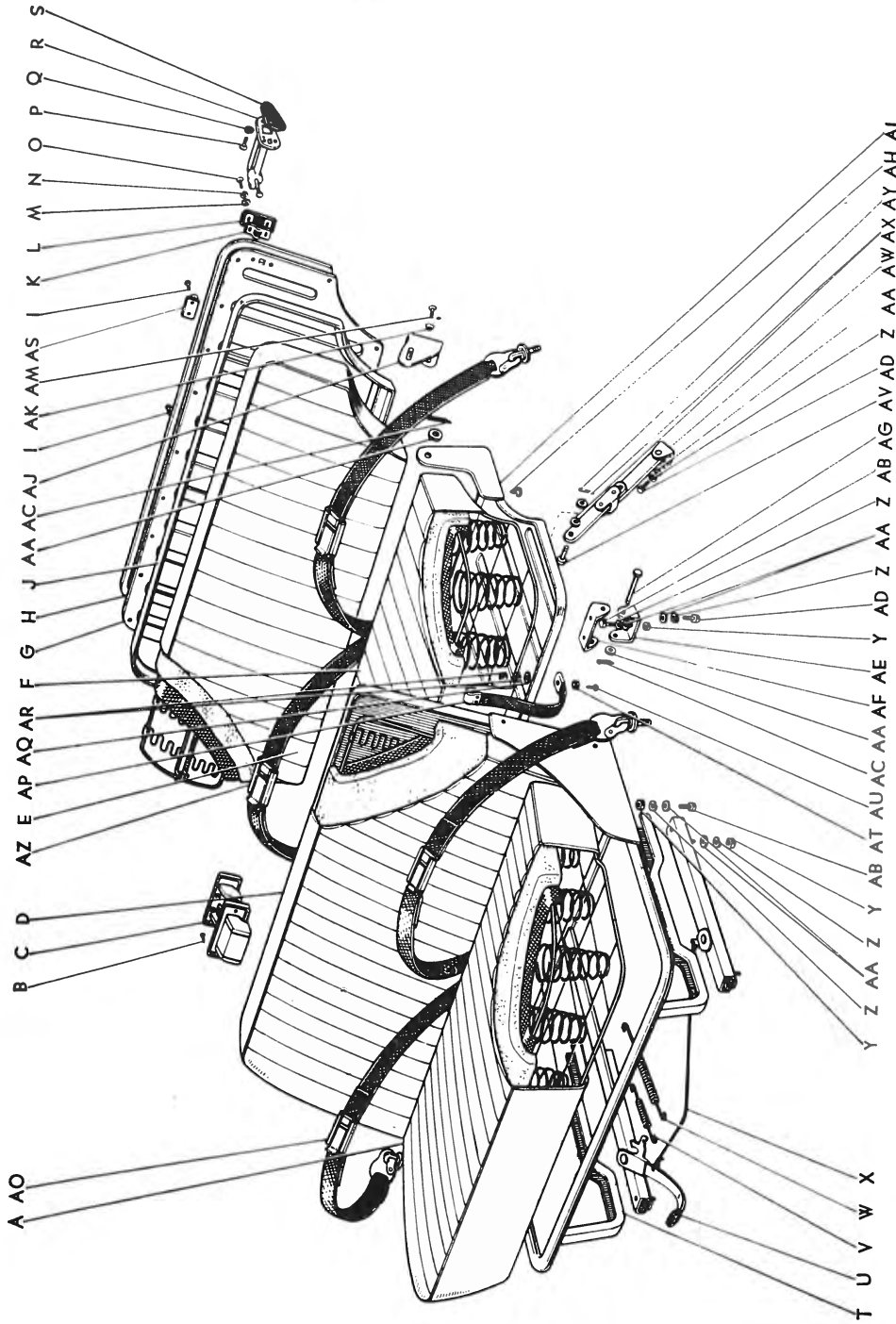
ILLUS- TRATION	PART NO.	NOMENCLATURE	P E R VEHICLE	MODEL
(FIG.92)				
F	★71035-92000	Cushion sub-assy, rear seat	1	45V. LV
	★71035-92170	Cushion sub-assy, rear seat (For U.S.A.)	1	LV
	71035-92171	Cushion sub-assy, rear seat-①	1	45V. LV
	★71075-92001	Cover sub-assy, rear seat cushion	1	45V. LV
	★71075-92170	Cover sub-assy, rear seat cushion (For U.S.A.)	1	LV
	71075-92171	Cover sub-assy, rear seat cushion-①	1	45V. LV
G	71225-92000	Panel, rear seat back	1	45V. LV
	71225-92170	Panel, rear seat back (For U.S.A.)	1	LV
H	71226-92000	Bead, vinyl	1	45V. LV
	71226-92170	Bead, vinyl (For U.S.A.)	1	LV
I	93540-14016	Screw, tapping	21 (up to Frame No. FJ45-26555=24)	
J	71202-92000	Frame sub-assy, rear seat back	1	45V. LV
	71202-92170	Frame sub-assy, rear seat back (For U.S.A.)	1	LV
K	71319-11010	Holder, rear seat back stopper	2	45V. LV
L	71608-11010	Cover sub-assy, rear seat back holder	2	45V. LV
M	94613-10600	Washer, plate (6×1.0)	4	
N	94511-00600	Washer, spring (6)	4	
O	93210-16016	Screw (rd-hd. 6—1.0p×16)	4	
P	93230-16025	Screw (oval-hd. 6—1.0p×25)	6	
Q	94512-00600	Washer, spring (6)	6	
R	72520-92170	Stop assy, rear seat back, LH	1	45V. LV
	72520-11010	Stop assy, rear seat back, LH (For U.S.A.)	1	LV
	72510-92170	Stop assy, rear seat back, RH	1	45V. LV
	72510-11010	Stop assy, rear seat back, RH (For U.S.A.)	1	LV
S	72516-92000	Pad, rear seat back stop	2	45V. LV
T	71110-92170	Frame assy, front seat	1	45V. LV
U	★72110-30020	Track assy, seat, RH (includes illustrations—V, W of Fig.—91)	1	45V
	★72110-30021	Track assy, seat, RH	1	45V
	72110-92000	Track assy, seat, RH-①	1	LV
	★72110-30030	Track assy, seat, RH	1	LV
	★72110-30031	Track assy, seat, RH	1	LV
	★72110-92170	Track assy, seat, RH (For U.S.A.)	1	LV
	72110-92171	Track assy, seat, RH-①③	1	LV
	★72120-30010	Track assy, seat, LH	1	45V
	★72120-30011	Track assy, seat, LH	1	45V
	72120-92000	Track assy, seat, LH-②	1	45V

★ Old Part ① from Frame No. FJ45-24696 ② from Frame No. FJ45-24696
 ③ from Frame No. FJ45-21532 (U.S.A.)



BODY

FIG.—92(a) SEAT & SEAT TRACK (FJ45V, 45LV).



B 1681-A

ILLUS- TRATION PAR

(FIG.92)

- ★72120
- ★72120
- ★72120
- 72120
- V 90506
- W 90506
- 72321
- X ★72301
- 72301
- Y 94110
- Z 94511
- AA 94612
- AB 91111
- AC 95381
- AD 91111
- AE 71312
- AF 71311
- AG 71311
- AH ★90541
- AI 71201
- 71201
- AJ 71301
- 71301
- 71301
- 71301
- AK 94521
- AL ★68171
- AM 93221
- AN ★93211
- AO ★71851
- 71851
- AP ★72501
- 72501
- AQ 94611

★ Old Part
 (3) up to Fran
 (6) from Fran
 (9) from Fran
 ↓

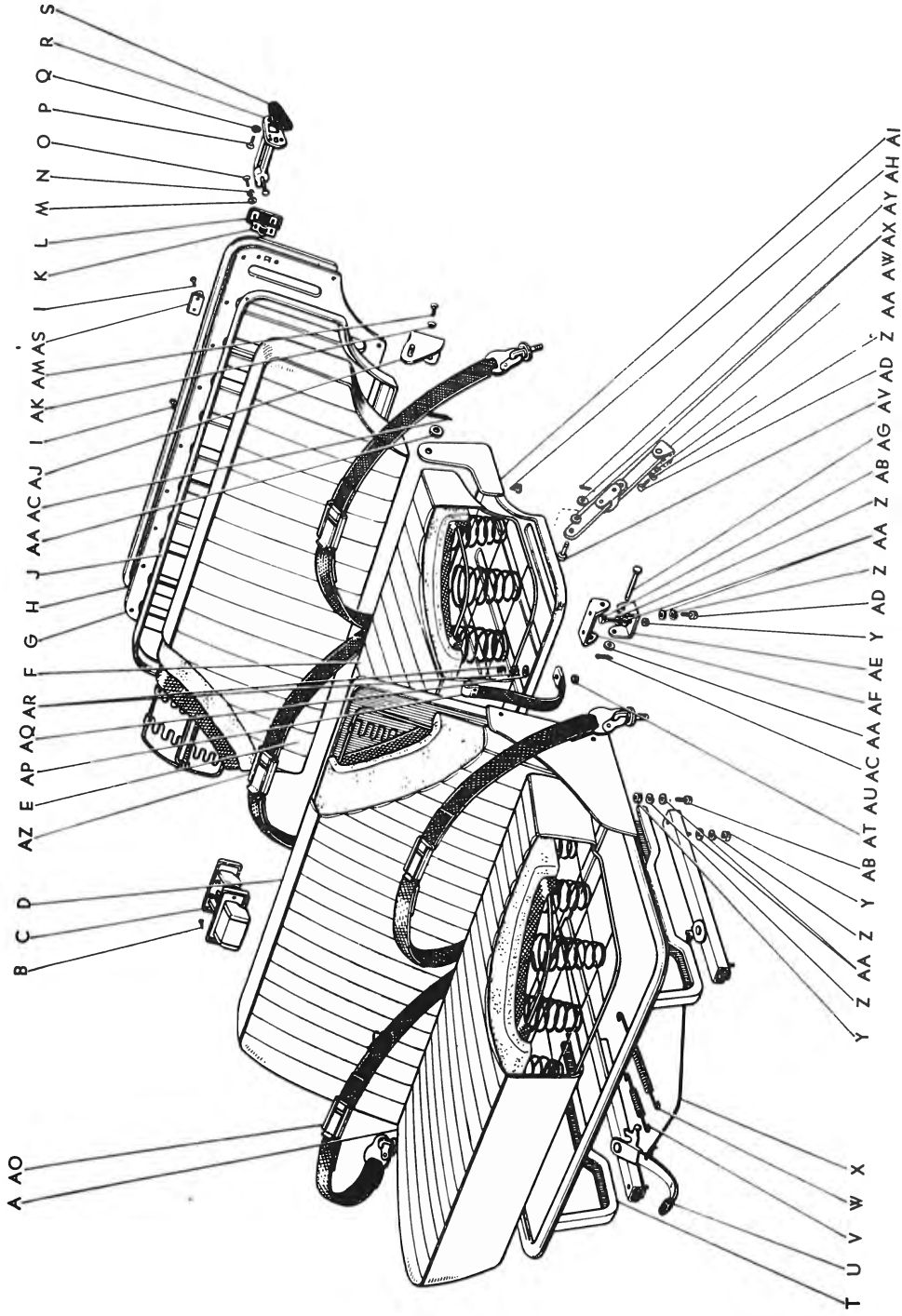
Toyota Land Cruiser

ILLUS-TRATION	PART NO.	NOMENCLATURE	P E R VEHICLE	MODEL
(FIG.92)				
	★72120-30020	Track assy, seat, LH	1	LV
	★72120-30021	Track assy, seat, LH	1	LV
	★72120-92170	Track assy, seat, LH (For U.S.A.)	1	LV
	72120-92171	Track assy, seat, LH-①②	1	LV
V	90506-12009	Spring, tension	1	45V. LV
W	90506-18010	Spring, tension	1	45V
	72321-92170	Spring, tension	1	LV
X	★72301-92000	Wire sub-assy, seat adjuster control	1	45V. LV
	72301-92001	Wire sub-assy, seat adjuster control	1	45V. LV
Y	94110-40800	Nut (hex. 8-1.25p)	12	
Z	94511-00800	Washer, spring (8)	22	
AA	94612-10800	Washer, plate (8×1.6)	24	
AB	91111-40820	Bolt (hex-hd. 8-1.25p×20)	8	
AC	95381-02015	Pin, cotter	4	
AD	91111-40816	Bolt (hex-hd. 8-1.25p×16)	10	
AE	71312-92170	Hinge, rear seat female	2	45V. LV
AF	71311-92170	Hinge, rear seat male	2	45V. LV
AG	71313-92170	Pin, rear seat hinge	2	45V. LV
AH	★90541-10009	Cushion-③	4	45V. LV
AI	71201-92000	Panel sub-assy, rear seat cushion	1	45V. LV
	71201-92170	Panel sub-assy, rear seat cushion (For U.S.A.)	1	LV
AJ	71306-92170	Hinge sub-assy, rear seat back, LH	1	45V. LV
	71309-92170	Hinge sub-assy, rear seat back, LH (For U.S.A.)	1	LV
	71305-92170	Hinge sub-assy, rear seat back, RH	1	45V. LV
	71308-92170	Hinge sub-assy, rear seat back, RH (For U.S.A.)	1	LV
AK	94524-00800	Washer, toothed (8)	4	
AL	★68172-92000	Rubber (For rear seat back cushion stopper)-④⑤	2	45V. LV
AM	93220-18020	Screw (fl-hd. 8-1.25p×20)	4	
AN	★93210-14020	Screw, tapping-④⑤	4	
AO	★71850-60010*	Harness assy, front seat lap type OPT		
		-(Replaced by 71850-60011)-⑥	2	45V. LV
	71850-60011	Harness assy, front seat lap type OPT	2	45V. LV
AP	★72505-92000	Band sub-assy, rear seat back-⑦⑧	2	45V. LV
	72505-92001	Band sub-assy, rear seat back-⑨	1	45V. LV
		(up to Frame No. FJ45-26555=2)		
AQ	94612-10400	Washer, plate (4×0.6)-⑦⑧	1	
		(up to Frame No. FJ45-26555=2)		

★ Old Part (1) from Frame No. FJ45 24696 (2) from Frame No. FJ45-21532(U.S.A.)
 (3) up to Frame No. FJ45 24695 (4) up to Frame No. FJ45 23151 (5) up to Frame No. FJ45-23356(U.S.A.)
 (6) from Frame No. FJ45 22859 (7) from Frame No. FJ45 23152 (8) from Frame No. FJ45-23357(U.S.A.)
 (9) from Frame No. FJ45-26471

BODY

FIG.—92(a) SEAT & SEAT TRACK (FJ45V, 45LV)



B 1681-A

ILLUS-TRATION P.

(FIG.92)

- AR 9411
- AS 7250
- AT 7250
- AU ★9321
9321
- AV 7131
- AW ★7250
★7250
★7250
7250
★7250
7250
- AX 9461
- AY 9538
- AZ 7186

★ Old Part
③ from Frame

Toyota Land Cruiser

ILLUS-TRATION	PART NO.	NOMENCLATURE	PER VEHICLE	MODEL
(FIG.92)				
AR	94110-40400	Nut (hex. 4—0.75p)-①②	2 (up to Frame No. FJ45-26555=4)	
AS	72559-92000	Catch, rear seat back band-①②	1 (up to Frame No. FJ45-26555=2)	45V. LV
AT	72558-92000	Hook, male-①②	1 (up to Frame No. FJ45-26555=2)	45V. LV
AU	★93210-14022	Screw, tapping-①②	2	
	93210-14030	Screw, tapping-④	1	
AV	71316-92000	Pin, rear seat support set-①②	2	45V. LV
AW	★72504-92000	Supporter sub-assy, rear seat, LH-①	1	45V. LV
	★72503-92000	Supporter sub-assy, rear seat, RH-①	1	45V. LV
	★72504-92170	Supporter sub-assy, rear seat, LH-②⑤	1	45V. LV
	72504-92171	Supporter sub-assy, rear seat, LH-③	1	45V. LV
	★72503-92170	Supporter sub-assy, rear seat, RH-②⑤	1	45V. LV
	72503-92171	Supporter sub-assy, rear seat, RH-④	1	45V. LV
AX	94611-10800	Washer, plate (10×1.6)-①②	4	
AY	95381-02012	Pin, cotter-①②	2	
AZ	71860-92170	Belt assy, rear seat OPT (For U.S.A.)	2	LV

★ Old Part

③ from Frame No. FJ45-26471

① from Frame No. FJ45-23152

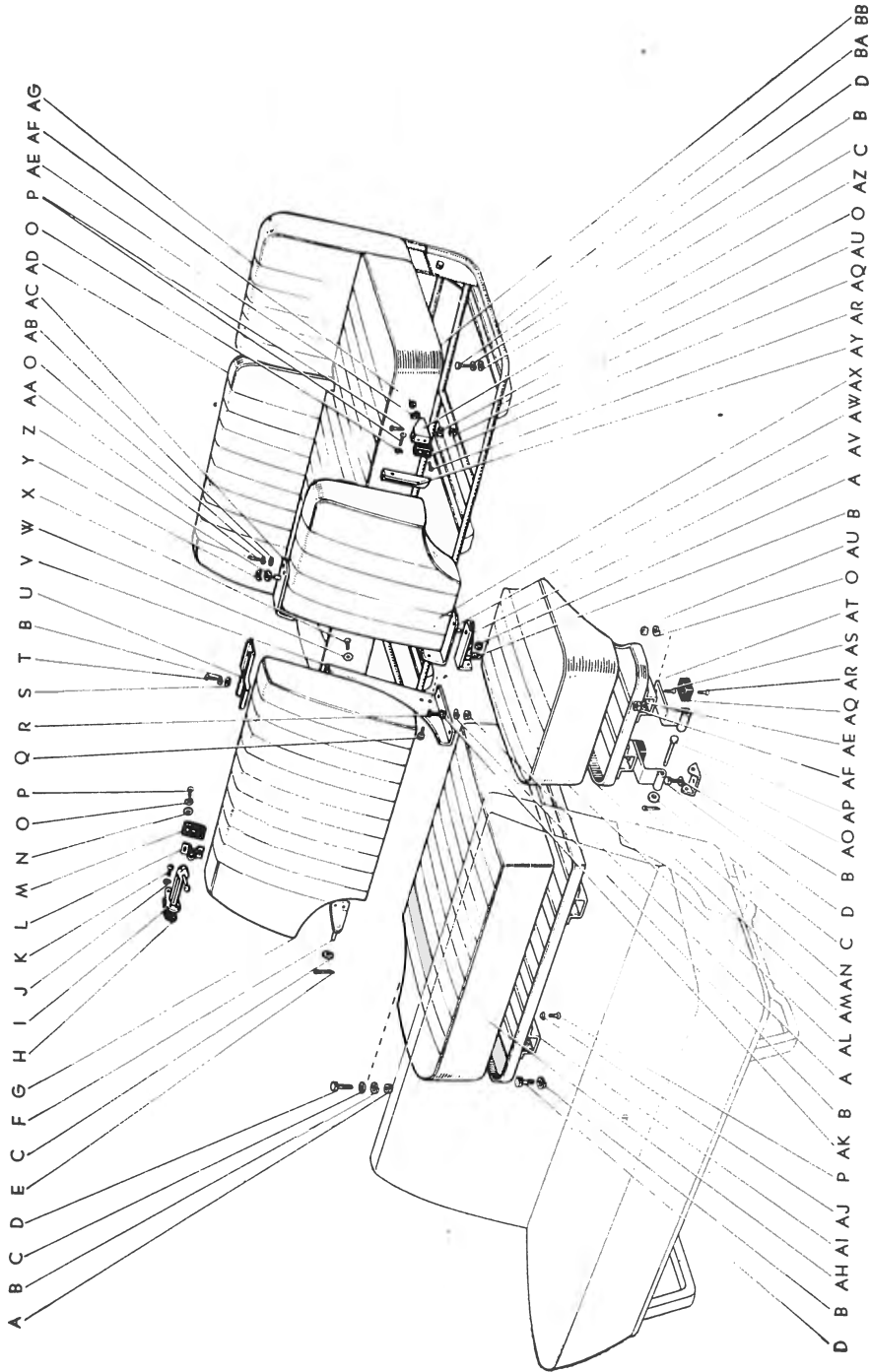
④ from Frame No. FJ45-26556

② from Frame No. FJ45-23357 (U.S.A.)

⑤ from Frame No. FJ45-24696

BODY

FIG.—93 SEAT OPT (FJ45V, 45LV)



B 1874

ILLUS- TRATION PART

(FIG.93)

A	94110-40
B	94511-00
C	94612-10
D	91111-40
E	95381-02
F	71305-92
	71306-92
G	71037-92
	71038-92
	71077-92
	71078-92
H	72516-92
I	72510-92
	72520-92
J	94512-00
K	93230-10
L	71319-10
M	71608-10
N	94613-10
O	94511-00
P	93210-10
Q	91111-10
R	63220-10
S	94613-10
T	93210-10
U	71325-10
V	71321-10
	71321-10
W	94523-10
X	93210-10
Y	94541-10
Z	94613-10
AA	93210-10
AB	94612-10

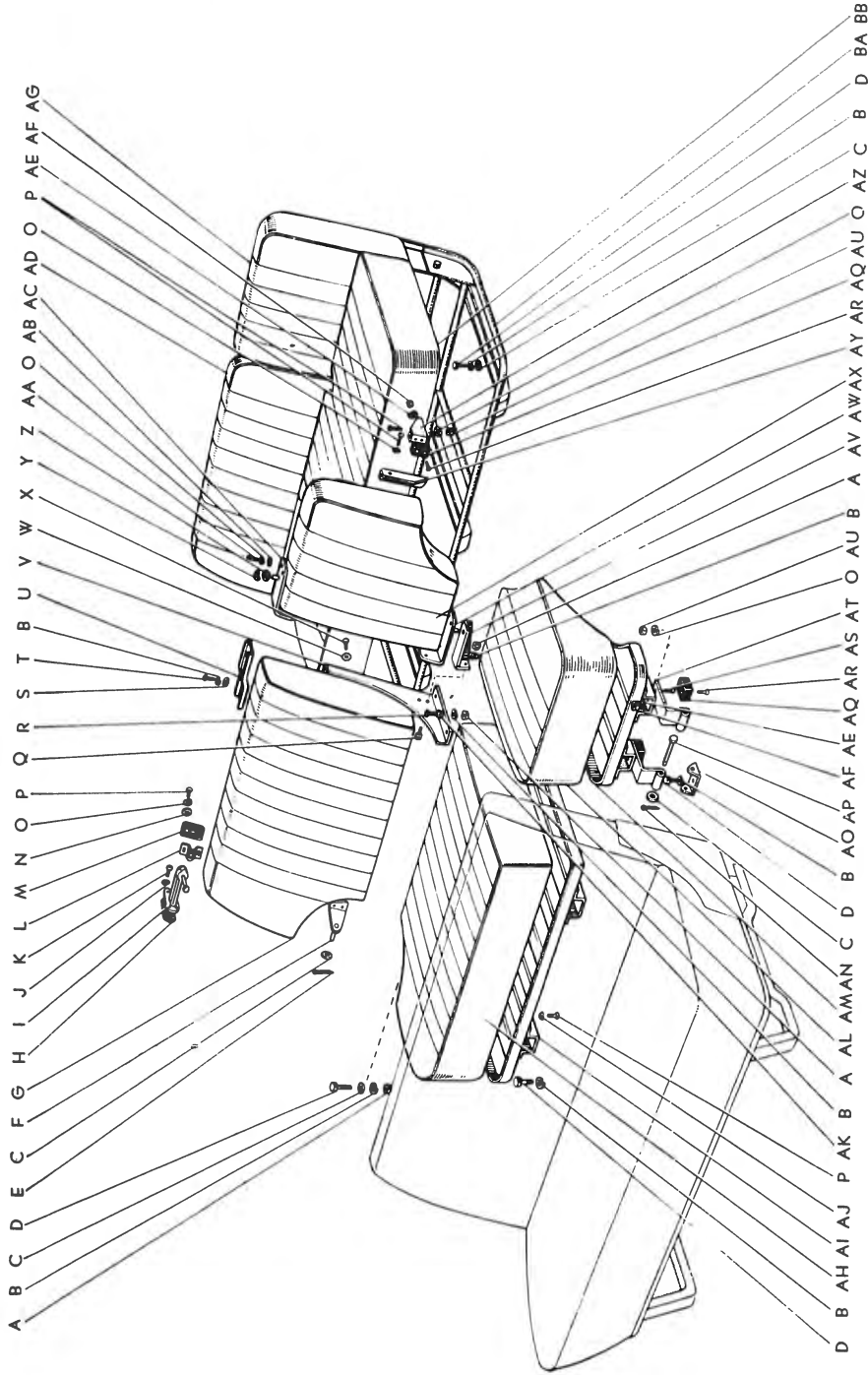
Toyota Land Cruiser

ILLUS- TRATION	PART NO.	NOMENCLATURE	PER VEHICLE	MODEL
Seat OPT (FJ45V, 45LV)				
(FIG.93)			7	
A	94110-40800	Nut (hex. 8-1.25p)	23	
B	94511-00800	Washer, spring (8)	9	
C	94612-10800	Washer, plate (8×1.0)	16	
D	91111-40820	Bolt (hex-hd. 8-1.25p×20)	1	
E	95381-02018	Pin, cotter	1	45V
F	71305-92170	Hinge sub-assy, rear seat back, RH	1	LV
	71306-92170	Hinge sub-assy, rear seat back, LH	1	45V
G	71037-92011	Cushion sub-assy, middle seat back, RH	1	LV
	71038-92111	Cushion sub-assy, middle seat back, LH	1	45V
	71077-92011	Cover sub-assy, middle seat back, RH	1	LV
	71078-92111	Cover sub-assy, middle seat back, LH	1	45V, LV
H	72516-92000	Pad, rear seat back stop	1	45V
I	72510-92170	Stop assy, rear seat back, RH	1	LV
	72520-92170	Stop assy, rear seat back, LH	3	
J	94512-00600	Washer, spring (6)	3	
K	93230-16025	Screw (oval-hd. 6-1.0p×25)	1	45V, LV
L	71319-11010	Holder, rear seat back stopper	1	45V, LV
M	71608-11010	Cover sub-assy, rear seat back holder	2	
N	94613-10600	Washer, plate (6×1.0)	19	
O	94511-00600	Washer, spring (6)	13	
P	93210-16016	Screw (rd-hd. 6-1.0×16)	2	
Q	91111-40816	Bolt (hex-hd. 8-12.5p×16)	3	
R	63220-18020	Screw (rd-hd. 8-1.25p×20)	2	
S	94613-10800	Washer, plate (8×1.6)	2	
T	93210-18020	Screw (rd-hd. 8-1.25p×20)	1	45V, LV
U	71325-92011	Hinge, back cushion	1	45V
V	71321-92011	Bracket, back cushion	1	LV
	71321-92111	Bracket, back cushion	4	
W	94523-00800	Washer, toothed (8)	4	
X	93210-18016	Screw (rd-hd. 8-1.25p×16)	2	
Y	94541-01000	Washer, wave (10)	2	
Z	94613-11000	Washer, plate (10×1.6)	6	
AA	93210-16020	Screw (rd-hd. 6-1.0p×20)	6	
AB	94612-10600	Washer, plate (6×1.0)	6	

BODY



FIG.—93 SEAT OPT (FJ45Y, 45LV)



B 1874

ILLUS- TRATION PART N

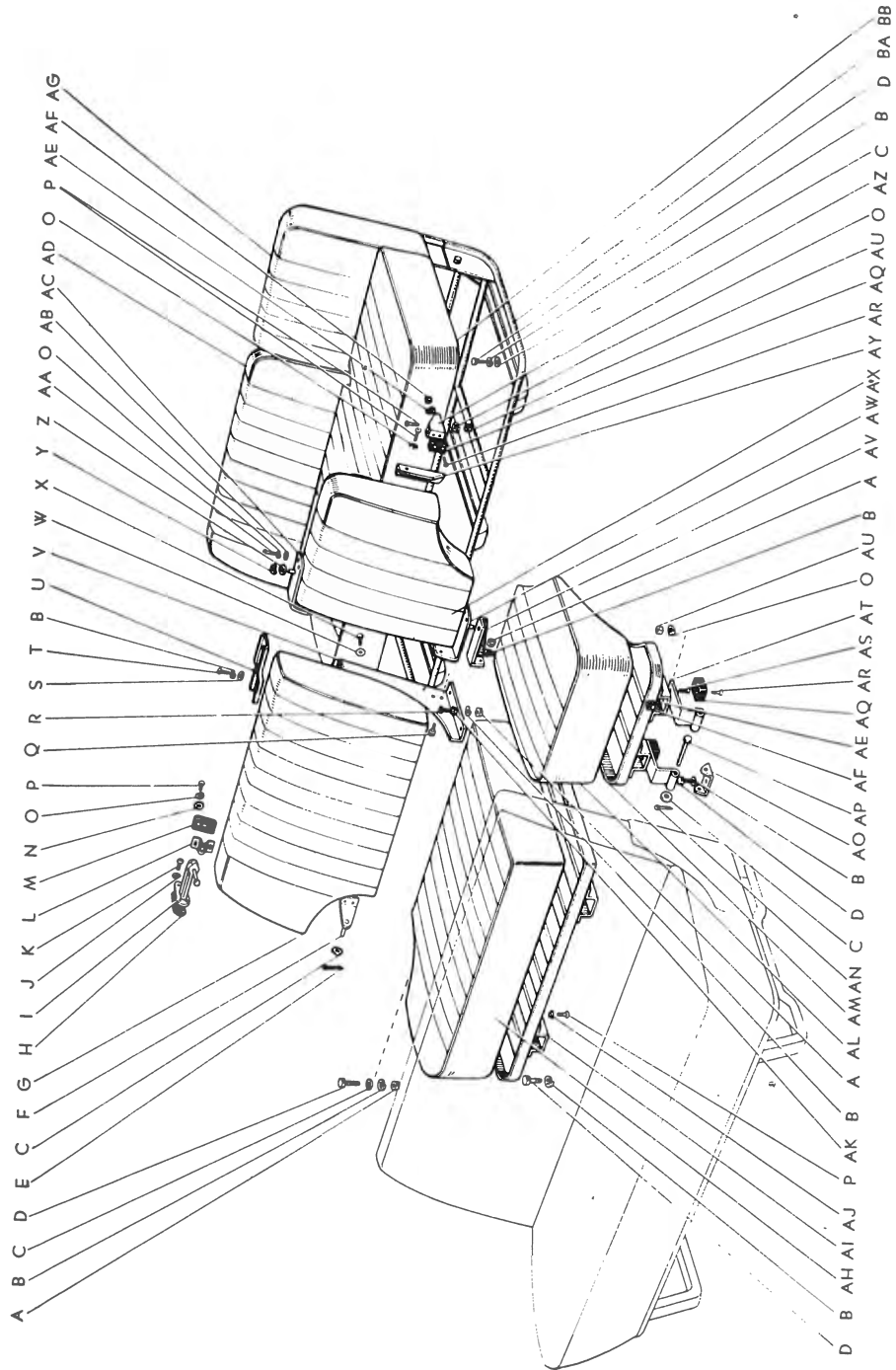
(FIG.93)

AC	71327-920
	71600-920
AD	71087-920
AE	94511-004
AF	94110-404
AG	71078-920
	71460-920
	71470-921
AH	71035-920
	71036-921
	71075-920
	71076-921
AI	71201-920
	71202-921
AJ	94524-006
AK	94524-008
	71470-920
	71460-921
AL	71036-920
	71035-921
	71076-920
	71075-921
AM	71202-920
	71201-921
AN	95381-021
AO	71312-921
AP	71313-921
AQ	68172-921
AR	93220-14
AS	93220-16
AT	71311-921
AU	94110-404

Toyota Land Cruiser

ILLUS- TRATION	PART NO.	NOMENCLATURE	P E R VEHICLE	MODEL
(FIG.93)				
AC	71327-92011	Hinge, back cushion, upper	1	45V. LV
	71600-92011	Seat assy, rear (includes illustrations AD, AG, BA of Fig.—93)	1	45V. LV
AD	71087-92011	Cover sub-assy, rear seat back, RH	1	45V. LV
AE	94511-00400	Washer, spring (4)	8	
AF	94110-40400	Nut (hex. 4×0.75p)	6	
AG	71078-92011	Cover sub-assy, middle seat back, LH	1	45V. LV
	71460-92011	Cushion assy, middle, RH (includes illustrations—P, AH~AJ of Fig.—93)	1	45V
	71470-92111	Cushion assy, middle, LH (NEW)	1	LV
AH	71035-92011	Cushion sub-assy, middle seat, RH	1	45V
	71036-92111	Cushion sub-assy, middle seat, LH	1	LV
	71075-92011	Cover sub-assy, middle seat cushion, RH	1	45V
	71076-92111	Cover sub-assy, middle seat cushion, LH	1	LV
AI	71201-92011	Panel sub-assy, middle seat cushion, RH	1	45V
	71202-92111	Panel sub-assy, middle seat cushion, LH	1	LV
AJ	94524-00600	Washer, toothed (6)	6	
AK	94524-00800	Washer, toothed (8)	3	
	71470-92011	Cushion assy, middle, LH (includes illustrations—C, O, AE, AF, AL~AU of Fig—93)	1	45V
	71460-92111	Cushion assy, middle, RH	1	LV
AL	71036-92011	Cushion sub-assy, middle seat, LH	1	45V
	71035-92111	Cushion sub-assy, middle seat, RH	1	LV
	71076-92011	Cover sub-assy, middle seat cushion, LH	1	45V
	71075-92111	Cover sub-assy, middle seat cushion, RH	1	LV
AM	71202-92011	Panel sub-assy, middle seat cushion, LH	1	45V
	71201-92111	Panel sub-assy, middle seat cushion, RH	1	LV
AN	95381-02015	Pin, cotter	2	
AO	71312-92170	Hinge, rear seat female	2	45V. LV
AP	71313-92011	Pin, middle seat hinge	2	45V. LV
AQ	68172-92000	Rubber, door glass down stopper	3	45V. LV
AR	93220-14020	Screw (fl-hd. 4—0.75p×20)	6	
AS	93220-16020	Screw (fl-hd. 6—1.0p×20)	4	
AT	71311-92011	Hinge, middle seat	2	45V. LV
AU	94110-40600	Nut (hex. 6—1.0p)	6	

FIG.—93 SEAT OPT (FJ45V, 45LV)



B 1874

ILLUSTRATION PAI

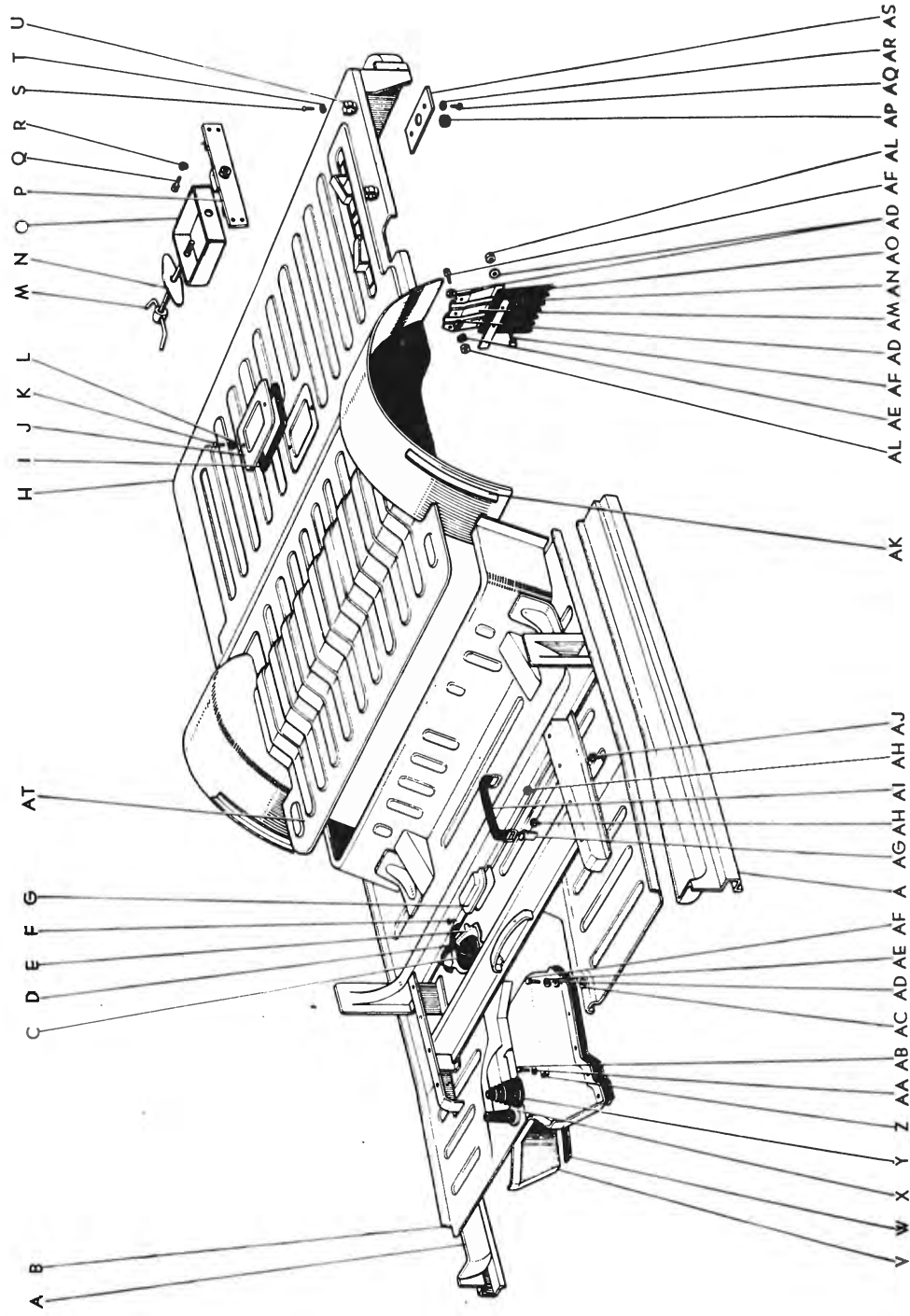
(FIG.93)

AV	71323
	71323
AW	71329
AX	71038
	71037
	71078
	71077
AY	71331
	71331
AZ	71333
BA	71601
BB	71610
	71085

Toyota Land Cruiser

ILLUS- TRATION	PART NO.	NOMENCLATURE	P E R VEHICLE	MODEL
(FIG.93)			1	45V
AV	71323-92011	Bracket, back cushion hinge	1	LV
	71323-92111	Bracket, back cushion hinge	1	45V, LV
AW	71329-92011	Hinge, back cushion, lower	1	45V
AX	71038-92011	Cushion sub-assy, middle seat back, LH	1	LV
	71037-92111	Cushion sub-assy, middle seat back, RH	1	45V
	71078-92011	Cover sub-assy, middle seat back, LH	1	LV
	71077-92111	Cover sub-assy, middle seat back, RH	1	45V
AY	71331-92011	Stopper, back cushion, A	1	LV
	71331-92111	Stopper, back cushion, A	1	45V, LV
AZ	71333-92011	Stopper, back cushion, B	1	45V, LV
BA	71601-92011	Frame assy, rear seat	1	45V, LV
BB	71610-92011	Cushion assy, rear seat	1	45V, LV
	71085-92011	Cover sub-assy, rear seat cushion	1	45V, LV

FIG.—94 FLOOR & SPARE WHEEL CARRIER OPT (FJ45V, 45LV)



B 1765-A

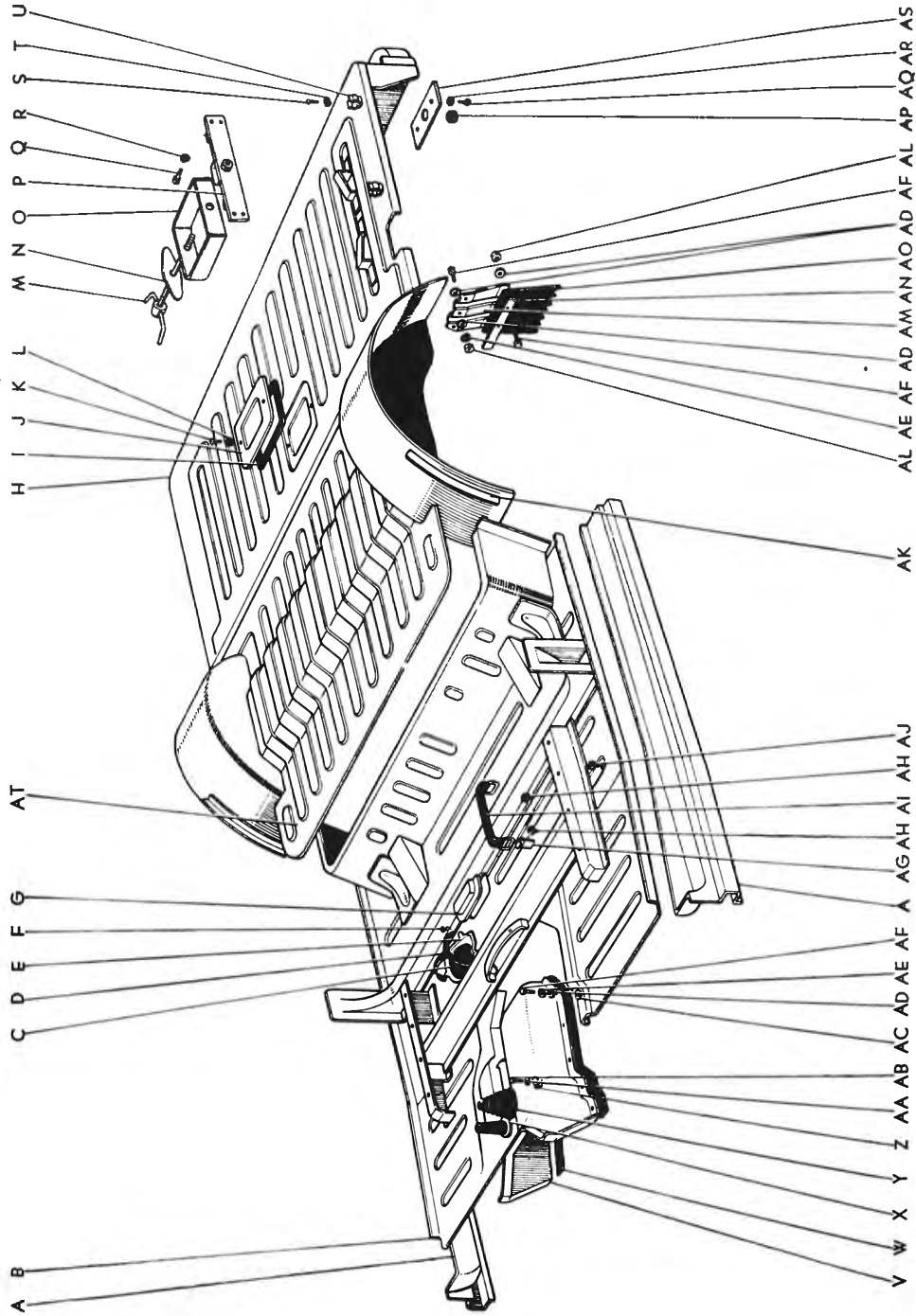
(FIG.94)

A	57401
	57402
B	58210
	58211
C	7471
D	7471
E	7470
F	9005
G	5821
H	5830
I	5871
J	5871
K	932
L	945
M	519
N	519
	519
O	519
P	519
Q	91
R	94
S	93
T	94
U	58
V	58
	58
	5
	5

Toyota Land Cruiser

ILLUS- TRATION	PART NO.	NOMENCLATURE	P E R VEHICLE	MODEL
Floor & Spare Wheel Carrier OPT (FJ45V, 45LV)				
(FIG.94)				
A	57401-92000	Rail sub-assy, side, RH	1	45V. LV
	57402-92000	Rail sub-assy, side, LH	1	45V. LV
B	58210-92020	Floor assy, front (includes illustrations—A, G, AH of Fig.—94)	1	45V
	58210-92120	Floor assy front	1	LV
C	74713-95010	Cushion, jack holder	1	45V. LV
D	74714-95010	Band, jack holder	1	45V. LV
E	74701-95010	Holder sub-assy, jack	1	45V. LV
F	90053-60500	Clip, spring (For Jack holder cushion)	3	45V. LV
G	58217-92001	Cover, front floor 2nd crossmember	1	45V. LV
H	58302-92011	Floor sub-assy, rear rear	1	45V. LV
I	58732-92000	Rubber, fuel tank inspection hole cover	1	45V. LV
J	58731-92000	Cover, fuel tank inspection hole	1	45V. LV
K	93210-16018	Screw (rd-hd.6—1.0p×18)	2	
L	94512-00600	Washer, spring (6)	2	
M	51921-92010	Bolt, spare tire set	1	45V. LV
N	51923-92000	Plate, spare wheel	1	45V. LV
	51910-92010	Bracket assy, spare tire set (includes illustrations—M~R of Fig.—94)	1	45V. LV
O	51913-92010	Bracket, spare tire set, B	1	45V. LV
P	51911-92010	Bracket, spare tire set, A	1	45V. LV
Q	91111-40825	Bolt (hex-hd. 1.25p×25)	4	
R	94512-00800	Washer, spring (8)	4	
S	93210-14010	Screw (rd-hd. 4—0.75p×10)	4	
T	94512-00400	Washer, spring (4)	4	
U	58355-92000	Spring, jack handle set	2	45V. LV
V	58206-92170	Cover sub-assy, transmission (For U.S.A.)	1	LV
	58206-60110	Cover sub-assy, transmission (For change lever, transfer control lever & power take-off control lever A)	1	40V. LV. 45V. LV
	58206-60120	Cover sub-assy, transmission (For change lever & transfer control lever)	1	40V. LV. 45V. LV
	58206-60090	Cover sub-assy, transmission (For power take-off control lever A)	1	40V. LV. 45V. LV

FIG.—94 FLOOR & SPARE WHEEL CARREIR OPT (F145V, 45LV)



B 1765-A

ILLUS-TRATION F

(FIG.94)

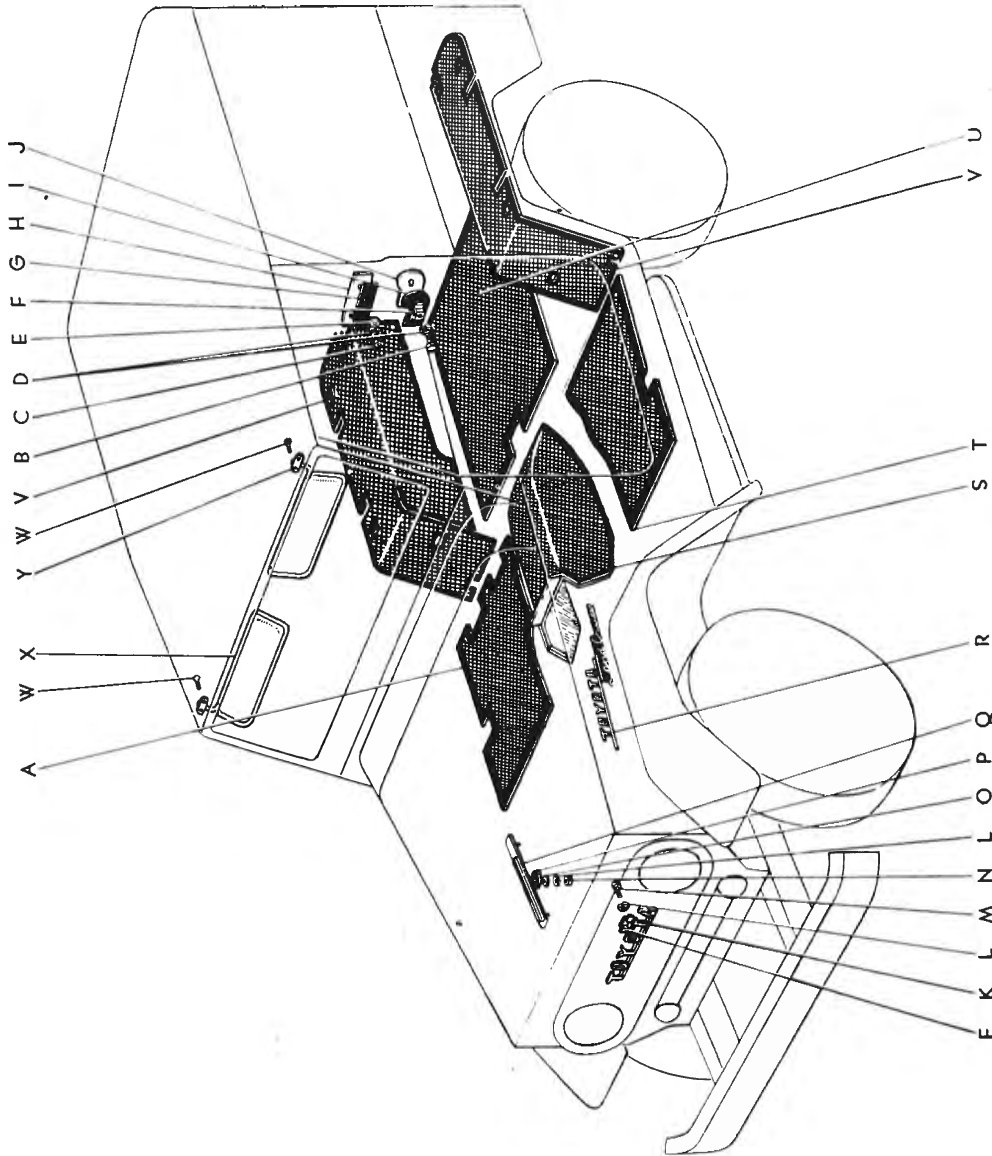
W	58:
	58:
	58:
X	58
Y	58
Z	58
AA	94
AB	91
AC	58
AD	94
AE	94
AF	91
AG	58
AH	90
AI	7:
AJ	5:
AK	5:
	5:
AL	9:
AM	6
AN	6
AO	6
AP	5
AQ	9
AR	9
AS	5
AT	5
	5

Toyota Land Cruiser

ILLUS- TRATION	PART NO.	NOMENCLATURE	P E R VEHICLE	MODEL
(FIG.94)				
W	58263-60010	Packing, transmission cover, A	1	40V. LV. 45V. LV
	58264-60010	Packing, transmission cover, B	1	40V. LV. 45V. LV
	58265-60020	Packing, transmission cover, C	1	40V. LV. 45V. LV
X	58280-60020	Dust-proof assy, shifting lever hole	1	40V. LV. 45V. LV
Y	58273-60010	Cover, shifting lever	1	40V. LV. 45V. LV
Z	58208-60011	Cover sub-assy, power take-off control lever, A	2	
AA	94612-10600	Washer, plate (6×1.0)	2	
AB	91111-40614	Bolt (hex-hd. 6—1.0p×14)	16	40V. LV. 45V. LV
AC	58279-60010	Plate, transmission set	30	
AD	94613-10600	Washer, plate (6×1.0)	20	
AE	94511-00600	Washer, spring (6)	25	
AF	91111-40616	Bolt (hex-hd. 6—1.0p×16)	2	45V. LV
AG	58214-92000	Catch, tool case rear	4	45V. LV
AH	90541-10009	Cushion (Excludes U.S.A.)	1	45V. LV
AI	75207-92001	Band sub-assy, tool case set	4	45V. LV
AJ	58761-95110	Plug, floor dust	1	45V. LV
AK	58316-92000	Sub rail, side rail rear, LH	1	45V. LV
	58315-92000	Sub rail, side rail rear, RH	10	
AL	94110-40600	Nut (hex. 6—1.0p)	2	45V. LV
AM	66242-92300	Plate, mudguard set retainer rear	2	45V. LV
AN	66243-92000	Bracket, mudguard set	2	45V. LV
AO	66241-92310	Rubber, mudguard, rear	1	45V. LV
AP	58379-92000	Grommet	2	
AQ	93540-14016	Screw, tappig	2	
AR	94524-00400	Washer, toothed (4)	1	45V. LV
AS	58376-92000	Cover, switch	1	45V
AT	58301-92020	Floor sub-assy, rear front	1	LV
	58301-92120	Floor sub-assy, rear front		

BODY

FIG.—95 MARK, VISOR & FLOOR MAT (FJ40V, 40LV)



B 2026-A

(FIG.95)

A	5851
	5851
B	9321
C	9411
D	9451
E	9461
F	7531
G	7541
H	7541
	7541
I	7541
J	7541
K	7531
L	9451
M	9111
N	9411
O	9461
P	7531
Q	7531
R	7531
S	5851
	5851
	5311
	5811
T	5811
	5811
U	5811
V	5811
	5811
W	9311
X	7411
Y	7411

Toyota Land Cruiser

ILLUS- TRATION	PART NO.	NOMENCLATURE	PER VEHICLE	MODEL
Mark & Floor Mat (FJ40V, 40LV)				
(FIG.95)				
A	58510-60050	Mat assy, front floor, RH OPT	1	40V
	58510-60060	Mat assy, front floor, LH OPT	1	LV
B	93210-14008	Screw (rd-hd. 4-0.75p×8)	2	
C	94110-40400	Nut (hex. 4-0.75p)	2	
D	94511-00400	Washer, spring (4)	4	
E	94612-10400	Washer, plate (4×0.75)	2	
F	75312-60020	Retainer, rear body, ornament 4-wheel drive	2	40V. LV
G	75462-60010	Pad, rear body ornament	1	40V. LV
H	75450-60010	Ornament assy, rear body	1	40V
	75450-60020	Ornament assy, rear body	1	LV
I	75463-60010	Pad, rear body ornament 4-wheel drive	1	40V. LV
J	75453-60010	Ornament, rear body 4-wheel drive	1	40V. LV
K	75321-60010	Mark, top	1	40V. LV
L	94511-00600	Washer, spring (6)	5	
M	91111-40612	Bolt (hex-hd. 6-1.0p×12)	2	
N	94110-40600	Nut (hex. 6-1.0p)	3	
O	94613-10600	Washer, plate (6×1.0)	3	
P	75399-60010	Pad, hood ornament set	3	40V. LV
Q	75304-60010	Ornament sub-assy, hood	1	40V. LV
R	75305-60010	Ornament sub-assy, hood side panel	2	40V. LV
S	58530-60010	Mat assy, transmission cover OPT	1	40V. LV
	58530-60040	Mat assy, transmission cover OPT (For power take-off control lever(a))	1	40V. LV
	53530-60020	Mat assy, transmission cover OPT (For floor shift)	1	40V. LV
	58530-60030	Mat assy, transmission cover OPT (For floor shift, power take-off control lever(a))	1	40V. LV
T	58520-60030	Mat assy, floor front, LH OPT	1	40V
	58520-60040	Mat assy, floor front, LH OPT	1	LV
U	58550-60030	Mat assy, rear floor OPT	1	40V. LV
V	58560-60010	Mat assy, rear fender aplon, RH OPT	1	40V. LV
	58570-60010	Mat assy, rear fender aplon, LH OPT	1	40V. LV
W	93230-16012	Screw (oval-hd. 6-1.0p×12)	4	
X	74310-60010	Visor assy, RH OPT	1	40V. LV
Y	74320-60010	Visor assy, LH OPT	1	40V. LV

BODY

ALPHABETICAL INDEX

MANUFACTURER'S NUMERICAL INDEX

STANDARD HARDWARE INDEX

ALPHABETICAL INDEX

NOMENCLATURE	PAGE	FIGURE NUMBER	NOMENCLATURE	PAGE	FIGURE NUMBER
A					
ABSORBER, shock, rear	75	22-E	BAR, side window upper	265	79-T
ACCESSORY, car heater	145	46	BAR, stabilizer, rear	47	17-C
ACCESSORY ASSY, car heater	147	47	BAR SUB-ASSY, lift gate protector	267	79-W
ACCESSORY ASSY, heater	153	48	BEAD, vinyl	321	92-H
ACCESSORY ASSY, heater	155	49	BEAD, vinyl (For U.S.A.)	321	92-H
ADAPTOR, defroster, hole	149	47-AR	BEARING	49	17-AD
ADAPTOR, water hose joint	147	47-H	BEARING	53	17-BB
ADJUSTER SUB-ASSY, parking brake			BEARING	59	18-AO
			BEARING	59	18-AQ
			BEARING (For differential		
			drive pinion rear)	51	17-AV
AMMETER ASSY	93	30-AA	BEARING, universal joint spider	43	16-F
APRON, fender, LH	191	60-AT	BEARING, windshield wiper	133	44-J
APRON, fender, RH	191	60-AT	BEARING, windshield wiper motor	139	45-R
APRON, rear tire outer, LH	263	78-AT	BELT ASSY, rear seat OPT		
APRON, rear tire outer, RH	263	78-AT	(For U.S.A.)	325	92-AZ
APRON SUB-ASSY, fender, LH	191	60-AT	BLADE ASSY, windshield wiper	129	43-F
APRON SUB-ASSY, fender, RH	191	60-AT	BLADE ASSY, windshield wiper	133	44-I
ARM ASSY, windshield wiper	129	43-K	BLADE ASSY, windshield wiper	205	64-H
ARM ASSY, windshield wiper	133	44-A	BLADE ASSY, windshield wiper	209	65-B
ARM ASSY, windshield wiper	205	64-G	BLADE ASSY, windshield wiper	135	44-I
ARM ASSY, windshield wiper	209	65-A	BLOCK, rear door lower corner		
ARM ASSY, windshield wiper	133	44-A	rubber, LH	291	84-X
ARM SUB-ASSY, outer rear			BLOCK, rear door lower corner		
view mirror	205	64-E	rubber, RH	291	84-X
ARM SUB-ASSY, outer rear			BLOCK, windshield rest	193	60-BA
view mirror	211	65-AD	BLOCK ASSY, fuse	107	37-L
ARMATURE, wiper motor	139	45-W	BLOCK ASSY, fuse	111	38-K
AXLE ASSY, rear			BLOCK ASSY, fuse	115	39-L
(For gear ratio 3.7:1, STD)	47	17	BLOCK ASSY, junction	107	37-F
AXLE ASSY, rear			BLOCK ASSY, junction	111	38-F
(For gear ratio 4.11:1)	47	17	BLOCK ASSY, junction	115	39-D
B					
BACE, back door lock link	237	71-AO	BLOWER ASSY, heater	149	47
BACK ASSY, front seat	319	92-D	BOARD, front door trim, LH	275	81-AP
BACK ASSY, front seat			BOARD, front door trim, RH	275	81-AP
(Originally in use for U.S.A. only)	319	92-D	BOARD, rear door trim, LH	291	84-S
BACK ASSY, rear seat	319	92-E	BOARD, rear door trim, RH	291	84-S
BACK ASSY, rear seat (For U.S.A.)	319	92-E	BOARD ASSY, front door trim, LH	281	82-AS
BALL, windshield wiper motor	139	45-P	BOARD ASSY, front door trim, RH	281	82-AS
BAND, jack holder	255	77-D	BOARD ASSY, rear door trim, LH		
BAND, jack holder	333	94-D	(For U.S.A.)	291	84-S
BAND SUB-ASSY, fuel	29	10-AS	BOARD ASSY, rear door trim, RH		
BAND SUB-ASSY, rear seat back	323	92-AP	(For U.S.A.)	291	84-S
BAND SUB-ASSY, tool case set	257	77-AH	BODY, dome lamp (For U.S.A.)	123	41-R
BAND SUB-ASSY, tool case set	335	94-AI	BODY, front turn signal lamp	119	40-D
BAR, front bumper	179	58-AL	BODY, front turn signal lamp	123	41-E
BAR, front bumper	185	59-AL	BODY, license lamp w/tail gate		
BAR, lift gate torsion, LH	299	87-R	handle	127	42-T
BAR, lift gate torsion, RH	299	87-Q	BODY, license plate lamp	121	40-Z
BAR, radiator support	195	61-G	BODY, pillar lamp	119	40-J
BAR, radiator support	199	62-G	BODY, pillar lamp	123	41-H
BAR, rear bumper	179	58-AJ	BODY, rear combination lamp, LH	125	42-F
BAR, side window lower	265	79-T	BODY, rear combination lamp, RH	125	42-F
			BODY SUB-ASSY, door lock outside,		
			LH	309	89-AZ
			BODY SUB-ASSY, rear door lock		
			inside, LH	309	89-AU

ALPHABETICAL INDEX

343

NOMENCLATURE	PAGE	FIGURE NUMBER	NOMENCLATURE	PAGE	FIGURE NUMBER
BODY SUB-ASSY, rear, front	213	66	BRACKET, door ventilating window		
BODY SUB-ASSY, rear, rear	213	66	upper pivot, upper	243	72-AK
BODY SUB-ASSY, rear, rear			BRACKET, engine front mounting, LH	177	58-E
(For U.S.A.)	213	66	BRACKET, engine front mounting, LH	183	59-E
BODY SUB-ASSY, wiper motor	139	45 Q	BRACKET, engine front mounting, RH	177	58-E
BODY & CORD SUB-ASSY, front turn			BRACKET, engine front mounting, RH	183	59-E
signal lamp	123	41-E	BRACKET, engine rear mounting, LH	177	58-R
BOLT	145	46-V	BRACKET, engine rear mounting, LH	183	59-R
BOLT	147	47-S	BRACKET, engine rear mounting, RH	177	58-R
BOLT, differential bearing cap	49	17-Q	BRACKET, engine rear mounting, RH	183	59-R
BOLT, fuel tank protector set	29	10-AQ	BRACKET, exhaust pipe clamp	19	5-K
BOLT, hexagon	45	16-M	BRACKET, exhaust pipe support, No.1	19	5-G
BOLT, hexagon	49	17-AB	BRACKET, exhaust pipe support, No.3	19	5-AA
BOLT, hexagon	59	18-AL	BRACKET, flexible hose	41	15-O
BOLT, hexagon	77	22-AH	BRACKET, flexible hose, No.1	67	20-G
BOLT, hexagon	197	61-AE	BRACKET, flexible hose, No.1	71	21-G
BOLT, hexagon	213	66-K	BRACKET, flexible hose, No.2	67	20-G
BOLT, pin hole hexagon	19	5-Q	BRACKET, flexible hose, No.2	71	21-G
BOLT, rear bumper set	179	58-AI	BRACKET, flexible hose, No.3	67	20-O
BOLT, rear bumper set	185	59-AK	BRACKET, flexible hose, No.3	71	21-R
BOLT, rear spring center	75	22-AA	BRACKET, front body rear mounting	181	58-BG
BOLT, rear view mirror set	267	79-AD	BRACKET, front body rear mounting	187	59-BE
BOLT, round head square neck	179	58-AP	BRACKET, front floor, LH	181	58-BJ
BOLT, round head square neck	185	59-AO	BRACKET, front floor, LH	187	59-BI
BOLT, round head square neck	197	61-AA	BRACKET, front floor, RH	181	58-BJ
BOLT, safety strap OPT	213	66-N	BRACKET, front floor, RH	187	59-BI
BOLT, serration	93	19-AF	BRACKET, front side cover		
BOLT, set	57	18-U	tarpaulin bow, LH	221	67-F
BOLT, stud	19	5-B	BRACKET, front side cover		
BOLT, stud	47	17-O	tarpaulin bow, RH	221	67-F
BOLT, stud	49	17-T	BRACKET, front turn signal lamp	119	40-Q
BOLT, stud	59	18-AT	BRACKET, front turn signal lamp	123	41-L
BOLT, "U"	21	5-AE	BRACKET, front ventilator handle	251	75-S
BOLT, "U"	75	22-Y	BRACKET, gasoline tank set, LH	27	10-P
BOLT, washer based head hexagon	29	10-AO	BRACKET, gasoline tank set, RH	27	10-P
BOLT, windshield wiper arm lock	131	43-AJ	BRACKET, heater	145	46-T
BOOT, sliding shaft	43	16-J	BRACKET, hood stay clamp spring	189	60-I
BOW, front side cover tarpaulin			BRACKET, lift gate hinge	299	87-W
outer, LH	225	67-AO	BRACKET, lift gate protector bar	267	79-X
BOW, front side cover tarpaulin			BRACKET, mudguard set	257	77-AN
outer, RH	225	67-AO	BRACKET, mudguard set	335	94-AN
BOW SUB-ASSY, front side			BRACKET, muffler inlet pipe clamp	19	5-G
tarpaulin, LH	223	67-AB	BRACKET, parking brake plunger	61	19-M
BOW SUB-ASSY, front side			BRACKET, rear body mounting, rear	179	58-U
tarpaulin, RH	223	67-AB	BRACKET, rear body mounting, rear	185	59-U
BOW SUB-ASSY, front side			BRACKET, rear body rear mounting	179	58-W
tarpaulin, RH	223	86-AB	BRACKET, rear body rear mounting	187	59-BM
BRACKET, back cushion	327	93-V	BRACKET, rear bumper	179	58-AH
BRACKET, back cushion hinge	331	93-AV	BRACKET, rear bumper OPT	185	59-AB
BRACKET, back door window			BRACKET, rear stabilizer link, LH	49	17-AO
protector	305	88-A	BRACKET, rear stabilizer link, RH	49	17-AO
BRACKET, band (Excludes U.S.A.)	219	66-BS	BRACKET, rear upper door		
BRACKET, band (Excludes U.S.A.)	219	66-BU	lock outer	229	69-C
BRACKET, cowl ventilator handle	251	75-O	BRACKET, rear view mirror stay	267	79-AE
BRACKET, door striker, LH	309	89-BC	BRACKET, rear view mirror		
BRACKET, door striker, RH	309	89-BC	support stay	267	79-AE

ALPHABETICAL INDEX

NOMENCLATURE	PAGE	FIGURE NUMBER	NOMENCLATURE	PAGE	FIGURE NUMBER
BRACKET, side window protector			BRACKET SUB-ASSY, radiator cover		
bar rear, LH	267	79-U	support hinge	191	60-AJ
BRACKET, side window protector			BRACKET SUB-ASSY, rear license		
bar rear, RH	267	79-U	plate	217	66-AM
BRACKET, side window			BRACKET SUB-ASSY, room lamp	119	40-L
protector pipe	267	79-U	BRACKET SUB-ASSY, safety		
BRACKET, spare tire set, A	333	94-P	strap, LH OPT	213	66-C
BRACKET, spare tire set, B	333	94-P	BRACKET SUB-ASSY, safety		
BRACKET, spare wheel			strap, RH OPT	213	66-C
carrier support	227	98-R	BRACKET SUB-ASSY, spare tire set	255	77-O
BRACKET, spring, No.3 LH	75	22-S	BRACKET SUB-ASSY, spare wheel		
BRACKET, spring, No.3 RH	75	22-S	carrier	227	68-J
BRACKET, spring, No.4	75	22-P	BRACKET SUB-ASSY, steering gear		
BRACKET, stabilizer	49	17-U	housing	59	18-AI
BRACKET, trailer socket change			BRACKET SUB-ASSY, warning switch		
over switch OPT	109	37-AW	OPT (For U.S.A.)	113	38-BG
BRACKET, trailer shocket cange			BRACKET SUB-ASSY, warning switch		
over switch OPT	113	38-AW	OPT (For U.S.A.)	117	39-BH
BRACKET, trailer socket change			BRAKE ASSY, parking brake	61	19
over switch OPT	117	39-AU	BRAKE ASSY, parking brake		
BRACKET, trailer socket OPT	109	37-AE	(For U.S.A.)	61	19
BRACKET, trailer socket OPT	113	38-AE	BRAKE SUB-ASSY, parking	61	19
BRACKET, trailer socket OPT	117	39-AY	BRUSH, wiper motor carbone	139	45-AF
BRACKET, windshield wiper	129	43-AB	BULB (12V 6CP)	119	40-Y
BRACKET, wiper motor	135	44-Y	BULB (12V 32CP)	123	41-D
BRACKET, wiper motor set	135	44-T	BULB (12V 3W)	91	30-J
BRACKET, wiper motor set			BULB (12V 5W)	119	40-H
(For U.S.A.)	135	44-T	BULB (12V 6W)	123	41-G
BRACKET ASSY, spare tire set	255	77	BULB (12V 8W)	127	42-X
BRACKET ASSY, spare tire set	333	94	BULB (12V 8W) (Excludes U.S.A.)	91	30-S
BRACKET ASSY, windshield wiper	131	43-AE	BULB (12V 10W)	119	40-Y
BRACKET ASSY, wiper motor			BULB (12V 10W) (For U.S.A.)	123	41-Q
(For U.S.A.)	135	44-Y	BULB (12V 24W)	109	37-AC
BRACKET SUB-ASSY, back up lamp			BULB (12V 24W)	113	38-AC
switch OPT	109	37-AP	BULB (12V 24W)	125	42-L
BRACKET SUB-ASSY, back up lamp			BULB (12V 25W, 32cp.)	119	40-E
switch OPT	113	38-AQ	BULB (12V 25W, 32cp.)	123	41-D
BRACKET SUB-ASSY, back up lamp			BULB (12V 25/8W, 32/4cp.)	123	41-D
switch OPT	119	39-AN	BULB (12V 25/8W, 32/4cp.) OPT	119	40-E
BRACKET SUB-ASSY, battery	177	58-O	BULB (12V 25/8W)	125	42-D
BRACKET SUB-ASSY, battery	183	59-O	BULB (12V 3WL)	91	30-I
BRACKET SUB-ASSY, cowl			BULB (12V 3WL)	91	30-J
ventilator damper	253	76-D	BULB (For transfer indicator lamp)	91	30-B
BRACKET SUB-ASSY, flasher OPT	113	38-BF	BUMPER (For spare wheel carrier		
BRACKET SUB-ASSY, flasher OPT			cushion)	227	68-D
(For U.S.A.)	117	39-BG	BUMPER, rear	185	59-AJ
BRACKET SUB-ASSY, front license			BUMPER, rear OPT (For pintle hook)	185	59-AJ
plate	179	58-AM	BUMPER SUB-ASSY, rear spring	75	22-Z
BRACKET SUB-ASSY, front license			BUSH, cord	149	47-AF
plate	185	59-AM	BUSH	41	15-H
BRACKET SUB-ASSY, horn, LH	191	60-X	BUSH	47	17-D
BRACKET SUB-ASSY, horn, RH	191	60-X	BUSH	57	18
BRACKET SUB-ASSY, inside panel			BUSH	75	22-D
under	263	78-AK	BUSH	75	22-O
BRACKET SUB-ASSY, jack upper	219	66-BJ	BUSH	235	71-P
BRACKET SUB-ASSY, pedal	41	15-J	BUSH (For fuel hose clamp)	27	10-L
BRACKET SUB-ASSY, panel	263	78-AK	BUSH, back door stay handle	233	70-A

ALPHABETICAL INDEX

345

NOMENCLATURE	PAGE	FIGURE NUMBER	NOMENCLATURE	PAGE	FIGURE NUMBER
BUSH, cord	145	46-K	CHANNEL ASSY, front door glass, LH	281	82
BUSH, door hinge	283	83-B	CHANNEL ASSY, front door glass, RH	275	81
BUSH, door hinge	294	85-AH	CHANNEL ASSY, front door glass, RH	281	82
BUSH, door hinge	307	89-AE	CHANNEL ASSY, front door glass, RH	275	81
BUSH, front brake flexible hose tension spring	67	20-E	CHANNEL ASSY, front door glass, RH	279	82
BUSH, front brake flexible hose tension spring	71	21-E	CHANNEL SUB-ASSY, front door glass, LH	245	73-E
BUSH, nylon	299	87-V	CHANNEL SUB-ASSY, front door glass, LH	275	81-AH
BUSH, solid	57	18-X	CHANNEL SUB-ASSY, front door glass, LH	279	82-AK
BUSH, solid	59	18-AG	CHANNEL SUB-ASSY, front door glass, RH	245	73-E
BUSH, stabilizer	49	17-W	CHANNEL SUB-ASSY, front door glass, RH	275	81-AH
BUSH, windshield wiper motor	131	43-AD	CHANNEL SUB-ASSY, front door glass, RH	279	82-AK
BUTTON, door outside handle push (For LH, RH)	293	85-K	CHANNEL SUB-ASSY, rear door glass	291	84-M
BUTTON, door outside handle push, LH	283	83-O	CHECK, back door, LH upper	307	89-K
BUTTON, door outside handle push, RH	283	83-O	CHECK, front door ventilator lock, LH	275	81-AD
BUTTON, door ventilating window handle	241	72-AH	CHECK, front door ventilator lock, RH	275	81-AD
BUTTON, door ventilating window handle	273	81-T	CHECK, rear upper door lock	231	69-AR
BUTTON, door ventilating window handle	279	82-Q	CLAMP	19	5-M
C			CLAMP	27	10-M
CABLE, control	147	47-D	CLAMP	29	10-Y
CABLE ASSY, parking brake	65	19-AU	CLAMP	41	15-A
CAP, differential bearing	51	17-AR	CLAMP	19	5-I
CAP, gear housing bracket	59	18-AJ	CLAMP	21	5-AB
CAP, windshield wiper arm	129	43-Q	CLAMP	65	19-AY
CAP, wiper arm drive shaft	133	44-B	CLAMP	67	20-F
CAP ASSY, fuel tank (w/key)	27	10-C	CLAMP	67	20-M
CAP SUB-ASSY, fuel tank	27	10	CLAMP	67	20-T
CAP SUB-ASSY, fuel tank OPT	27	10	CLAMP	67	20-V
CARRIER ASSY (For gear ratio 4.11 : 1)	53	17	CLAMP	67	20-W
CARRIER ASSY (STD) (For gear ratio 3.7 : 1)	53	17	CLAMP	69	20-AL
CARRIER ASSY, spare wheel	227	68	CLAMP	71	21-F
CARRIER SUB-ASSY, differential	53	17-AZ	CLAMP	71	21-M
CARRIER SUB-ASSY, spare wheel	227	68-G	CLAMP	71	21-W
CASE, differential	51	17-AU	CLAMP	71	21-Y
CASE, front spring clip bolt	77	22-AI	CLAMP	73	21-AA
CASE SUB-ASSY, blower	149	47-AI	CLAMP	73	21-AO
CATCH, rear seat back band	325	92-AS	CLAMP	95	31-A
CATCH, tool case rear	257	77-AF	CLAMP	95	31-M
CATCH, tool case rear	335	94-AG	CLAMP	97	32-A
CATCH ASSY, windshield	207	64-AD	CLAMP	97	32-N
CATCH ASSY, windshield	211	65-W	CLAMP	99	33-A
CATCH SUB-ASSY, hood	189	60-O	CLAMP	99	33-L
CHANNEL, side rail inner, LH	177	58-D	CLAMP	99	33-N
CHANNEL, side rail inner, LH	183	59-D	CLAMP	101	34-A
CHANNEL, side rail inner, RH	177	58-D	CLAMP	101	34-F
CHANNEL, side rail inner, RH	183	59-D	CLAMP	101	34-K
CHANNEL ASSY, front door glass, LH	275	81	CLAMP	101	34-M
			CLAMP	103	35-A
			CLAMP	103	35-L

ALPHABETICAL INDEX

NOMENCLATURE	PAGE	FIGURE NUMBER	NOMENCLATURE	PAGE	FIGURE NUMBER
CLAMP	103	35-N	CLIP, door opening weatherstrip trim	311	90 E
CLAMP	105	36-A	CLIP, door opening weatherstrip trim	311	90 I
CLAMP	105	36-F	CLIP, door opening weatherstrip trim	317	91-AE
CLAMP	105	36-J	CLIP, door opening weatherstrip trim	317	91-AF
CLAMP	105	36-M	CLIP	213	66-BN
CLAMP	145	46-S	CLIP (For fuel tank spacer pad)	219	66-S
CLAMP	147	47-P	CLIP, defroster hose	145	46-Q
CLAMP	151	47-BG	CLIP, door glass weatherstrip	239	72 F
CLAMP	153	48-Q	CLIP, rear spring No.1	75	22-V
CLAMP	155	49-P	CLIP, rear spring No.2	75	22-X
CLAMP	253	76-AG	CLIP, rear spring No.3	77	22-AJ
CLAMP (For hood side panel cushion shim)	193	60-AW	CLIP, spring	223	67-Y
CLAMP, cable large	99	33-J	CLIP, spring	275	81-AF
CLAMP, cable large	101	34-F	CLIP, spring	281	82-AI
CLAMP, cable large	103	35-F	CLIP, spring	291	84-H
CLAMP, cable large	105	36-F	CLIP, spring (For jack holder cushion)	255	77-F
CLAMP, cable large	253	76-V	CLIP, spring (For jack holder cushion)	333	94-F
CLAMP, exhaust pipe	21	5-AF	COCK, water hose drain	145	46-E
CLAMP, fuel tank band shim	29	10-W	COCK, water hose drain	151	47-BF
CLAMP, hose	145	46-C	COCK, water hose drain	153	48-O
CLAMP, hose	149	47-X	COCK, water hose drain	155	49-M
CLAMP, hose	151	47-BA	COLLAR	41	15-F
CLAMP, hose	153	48-D	COLLAR	145	46-L
CLAMP, hose	155	49-C	COLLAR, pipe	19	5-C
CLAMP, jack handle	215	66-V	COLLAR, rear axle housing side	49	17-AL
CLAMP, large	95	31-F	COLLAR, windshield wiper motor	141	45-AO
CLAMP, large	97	32-F	CONNECTOR, ventilator drain hose	253	76-A
CLAMP, muffler inlet pipe	19	5-I	CONNECTOR, water hose	151	47-AX
CLAMP, No.1	65	19-AV	CONNECTOR, water hose	151	47-BD
CLAMP, No.2 (RHD=OPT)	65	19-AW	CONNECTOR, water hose	153	48-C
CLAMP, steering column, lower	203	63-AA	CONNECTOR, water hose	153	48-N
CLAMP, steering column, lower (Originally in use for U.S.A. only)	203	63-AA	CONNECTOR, water hose	155	49-E
CLAMP, steering column, lower OPT	55	18-K	CONNECTOR, water hose	155	49-N
CLAMP, steering column, upper	203	63-AC	CONNECTOR, water hose	253	76-AH
CLAMP, steering column, upper (Originally in use for U.S.A. only)	203	63-AC	CONSENT ASSY, inspection lamp	117	37-N
CLAMP, tube	71	21-O	CONTROL ASSY, door lock remote, RH	307	89-Y
CLAMP, tube, No.1	67	20-D	CONTROL ASSY, front door lock remote, LH	287	83-AX
CLAMP, tube, No.1	71	21-D	CONTROL ASSY, front door lock remote, LH (For U.S.A.)	287	83-AX
CLAMP, tube, No.2	67	20-J	CONTROL ASSY, front door lock remote, RH	283	83-E
CLAMP, tube, No.2	71	21-J	CONTROL ASSY, front door lock remote RH (For U.S.A.)	283	83-E
CLAMP, windshield wiper rubber hose	95	31-I	CONTROL ASSY, gate lock remote	303	87
CLAMP, windshield wiper rubber hose	97	32-J	CONTROL ASSY, rear door lock remote, LH	293	85-D
CLAMP, wiring harness	95	31-J	CONTROL ASSY, rear door lock remote, LH (For U.S.A.)	293	85-D
CLAMP, wiring harness	99	33-K	CONTROL ASSY, rear door lock remote, RH	293	85-D
CLAMP, wiring harness	101	34-I	CONTROL ASSY, rear door lock remote, RH (For U.S.A.)	293	85-D
CLAMP ASSY, fuel tank inlet pipe rubber	29	10-AI			
CLEVIS, master cylinder push rod	41	15-I			
CLEVIS, master cylinder push rod	41	15-X			
CLIP	41	15-N			
CLIP	43	16-I			
CLIP	67	20-AF			
CLIP	73	21-AI			
CLIP	147	47-F			

ALPHABETICAL INDEX

347

NOMENCLATURE	PAGE	FIGURE NUMBER	NOMENCLATURE	PAGE	FIGURE NUMBER
CONTROL SUB-ASSY, back door			COVER, transmission under	181	58-BF
lock, LH	309	89-AP	COVER, transmission under	187	59-BF
CONTROL SUB-ASSY, door lock			COVER, windshield wiper motor	137	45-M
remote	287	83-BC	COVER, windshield wiper motor	139	45-U
CONTROL SUB-ASSY, gate lock			COVER, windshield wiper motor	141	45-AI
remote	299	87-L	COVER SUB-ASSY, cowl side		
CORD, pillar lamp	123	41-K	air guide	149	47-AN
COVER, adjusting cam hole	63	19-AM	COVER SUB-ASSY, engine		
COVER, back door inner hole, LH	305	88-M	front under	181	58-BC
COVER, back door inner hole, RH	305	88-O	COVER SUB-ASSY, engine		
COVER, back door lock	307	89-H	front under	185	59-BB
COVER, back door outside handle			COVER SUB-ASSY, front seat back	319	92-D
service hole	233	70-H	COVER SUB-ASSY, front seat back		
COVER, door hinge	283	83-C	(For U.S.A.)	319	92-D
COVER, door hinge	293	85-C	COVER SUB-ASSY, front seat cushion	319	92-A
COVER, door hinge	307	89-AD	COVER SUB-ASSY, front seat cushion		
COVER, door window frame service			(Originally in use for U.S.A. only)	319	92-A
hole	273	81-K	COVER SUB-ASSY, fuel inlet box	249	74-Q
COVER, door window frame service			COVER SUB-ASSY, hole	174	47-A
hole	279	82-K	COVER SUB-ASSY, hood	189	60-T
COVER, engine room under, LH	181	58-BE	COVER SUB-ASSY, middle seat		
COVER, engine room under, LH	187	59-BD	back, LH	327	93-G
COVER, engine room under, RH	181	58-BE	COVER SUB-ASSY, middle seat		
COVER, engine room under, RH	187	59-BD	back, LH	329	93-AG
COVER, front door window			COVER SUB-ASSY, middle seat		
regulator hole	241	72-Z	back, RH	327	93-G
COVER, front floor 2nd crossmember	255	77-G	COVER SUB-ASSY, middle seat		
COVER, front floor 2nd crossmember	333	94-G	back, RH	331	93-AX
COVER, fuel inlet hose	263	78-AI	COVER SUB-ASSY, middle seat		
COVER, fuel tank inspection hole	255	77-J	cushion, LH	329	93-AH
COVER, fuel tank inspection hole	333	94-J	COVER SUB-ASSY, middle seat		
COVER, fuse block	109	37-W	cushion, LH	329	93-AL
COVER, fuse block	113	38-W	COVER SUB-ASSY, middle seat		
COVER, fuse block	117	39-AD	cushion, RH	329	93-AH
COVER, gasoline tank inlet hole	263	78-AI	COVER SUB-ASSY, middle seat		
COVER, gasoline tank inlet pipe set	249	74-G	cushion, RH	329	93-AL
COVER, gear housing end	57	18-Z	COVER SUB-ASSY, power take-off		
COVER, headlamp dimmer switch	109	37-X	control lever, A	333	94-Z
COVER, headlamp dimmer switch	113	38-X	COVER SUB-ASSY, power take-off		
COVER, headlamp dimmer switch	117	39-AA	control lever OPT	217	66-BA
COVER, inside panel front, LH	263	78-V	COVER SUB-ASSY, power take-off		
COVER, inside panel front, RH	263	78-V	control lever, A OPT	257	77-Y
COVER, inside panel rear, LH	263	78-W	COVER SUB-ASSY, power take-off		
COVER, inside panel rear, RH	263	78-W	control lever, B OPT	217	66-BD
COVER, inspection lamp consent	109	37-Y	COVER SUB-ASSY, radiator	191	60-AA
COVER, inspection lamp consent	113	38-Y	COVER SUB-ASSY, rear axle housing	47	17-N
COVER, inspection lamp consent	125	42-M	COVER SUB-ASSY, rear seat back	319	92-E
COVER, license plate lamp	119	40-V	COVER SUB-ASSY, rear seat back		
COVER, lift gate hinge outer	263	78-R	(For U.S.A.)	319	92-E
COVER, shifting lever	335	94-Y	COVER SUB-ASSY, rear seat		
COVER, shifting lever OPT	217	66-AZ	back holder	321	92-L
COVER, shifting lever OPT	257	77-X	COVER SUB-ASSY, rear seat back		
COVER, stabilizer bracket	49	17-X	holder	327	93-M
COVER, switch	257	77-AR	COVER SUB-ASSY, rear seat		
COVER, switch	335	94-AS	back, RH	329	93-AD
COVER, tail gate hinge	301	87-AQ	COVER SUB-ASSY, rear seat cushion	321	92-F
COVER, tail gate inner panel	297	86-L	COVER SUB-ASSY, rear seat cushion	331	93-BB

ALPHABETICAL INDEX

NOMENCLATURE	PAGE	FIGURE NUMBER	NOMENCLATURE	PAGE	FIGURE NUMBER
COVER SUB-ASSY, rear seat cushion (For U.S.A.)	321	92-F	COWL SUB-ASSY OPT	195	61-J
COVER SUB-ASSY, roof ventilator (Excludes U.S.A.)	221	67-P	CRANK SUB-ASSY, windshield wiper link	133	44-Q
COVER SUB-ASSY, sector shaft end	57	18-V	CROSSMEMBER, frame, No. 2	179	58-V
COVER SUB-ASSY, sliding shaft dust	43	16-J	CROSSMEMBER, frame, No. 2	185	59-V
COVER SUB-ASSY, spare tire	311	90-T	CROSSMEMBER, frame rear	179	58-Z
COVER SUB-ASSY, spare tire	317	91-AI	CROSSMEMBER, frame rear	185	59-AE
COVER SUB-ASSY, tool box	219	66-BL	CROSSMEMBER SUB-ASSY, frame, front	179	58-AV
COVER SUB-ASSY, transmission	217	66-AW	CROSSMEMBER SUB-ASSY, frame, front	185	59-AU
COVER SUB-ASSY, transmission	255	77-U	CUSHION	189	60-L
COVER SUB-ASSY, transmission (For change lever & transfer control lever)	333	94-V	CUSHION	245	73-U
COVER SUB-ASSY, transmission (For change lever, transfer control lever & power take-off control lever A)	333	94-V	CUSHION	323	92-AH
COVER SUB-ASSY, transmission (For power take-off control lever A)	333	94-V	CUSHION (Excludes U.S.A.)	257	77-AG
COVER SUB-ASSY, transmission (For U.S.A.)	255	77-U	CUSHION (Excludes U.S.A.)	335	94-AH
COVER SUB-ASSY, transmission (For U.S.A.)	333	94-V	CUSHION, door glass down stopper	245	73-Z
COVER SUB-ASSY, transmission OPT (For change lever & transfer control lever)	257	77-U	CUSHION, exhaust pipe	19	5-H
COVER SUB-ASSY, transmission OPT (For change lever transfer control lever & power take-off control lever A)	217	66-AW	CUSHION, exhaust pipe	19	5-L
COVER SUB-ASSY, transmission OPT (For change lever transfer control lever & power take-off control lever A)	255	77-U	CUSHION, hood hinge seat	189	60-S
COVER SUB-ASSY, transmission OPT (For change lever transfer control lever A, B)	217	66-AW	CUSHION, jack holder	255	77-C
COVER SUB-ASSY, transmission OPT (For power take-off control lever A)	217	66-AW	CUSHION, jack holder	333	94-C
COVER SUB-ASSY, transmission OPT (For power take-off control lever A)	257	77-U	CUSHION, rear swing gate, center	215	66-AJ
COVER SUB-ASSY, transmission OPT (For power take-off control lever A, B)	217	66-AW	CUSHION, rear swing gate, lower LH	215	66-AH
COWL ASSY	249	74-A	CUSHION, rear swing gate, lower RH	215	66-AH
COWL ASSY (For U.S.A.)	249	74-A	CUSHION, rear swing gate, side	215	66-AB
COWL ASSY OPT (For tropical countries & center change)	249	74	CUSHION, rubber (Excludes U.S.A.)	251	75-D
COWL ASSY OPT (For tropical countries)	249	74-A	CUSHION, rubber (Excludes U.S.A.)	253	76-D
COWL SUB-ASSY	195	61-J	CUSHION, tool box, A	219	66-BK
			CUSHION, tool box, B	219	66-BK
			CUSHION, windshield wiper frame	129	43-W
			CUSHION, wiper motor bracket	135	44-U
			CUSHION ASSY, front seat	319	92-A
			CUSHION ASSY, front seat (Originally in use for U.S.A. only)	319	92-A
			CUSHION ASSY, middle, LH	329	93
			CUSHION ASSY, middle, RH	329	93
			CUSHION ASSY, rear seat	319	92
			CUSHION ASSY, rear seat	331	93-BB
			CUSHION ASSY, rear seat (For U.S.A.)	319	92
			CUSHION SUB-ASSY, middle seat back, LH	327	93-G
			CUSHION SUB-ASSY, middle seat back, LH	331	93-AX
			CUSHION SUB-ASSY, middle seat back RH	327	93-G
			CUSHION SUB-ASSY, middle seat back RH	331	93-AX
			CUSHION SUB-ASSY, middle seat, LH	329	93-AH
			CUSHION SUB-ASSY, middle seat, LH	329	93-AM
			CUSHION SUB-ASSY, middle seat, RH	329	93-AH
			CUSHION SUB-ASSY, middle seat, RH	329	93-AM
			CUSHION SUB-ASSY, rear seat	321	92-F
			CUSHION SUB-ASSY, rear seat (For U.S.A.)	321	92-F

ALPHABETICAL INDEX

349

NOMENCLATURE	PAGE	FIGURE NUMBER	NOMENCLATURE	PAGE	FIGURE NUMBER
CUSHION SUB-ASSY, spare wheel carrier	227	68-P	DUST-PROOF ASSY, shifting lever hole OPT	257	77-W
CYLINDER ASSY, back door lock	127	42-U	DUSTER RUBBER, rear tire outer apron	263	78-AU
CYLINDER & KEY SET ASSY	93	30	E		
CYLINDER & KEY SET ASSY	93	30	ELBOW	149	47-V
CYLINDER & KEY SET ASSY, door & ignition	93	30	ESCUTCHEON SUB-ASSY, door inside handle	307	89-B
CYLINDER & KEY SET ASSY, ignition & fuel OPT	93	30	ESCUTCHEON SUB-ASSY, door regulator handle	283	83-F
CYLINDER & SLEEVE ASSY, back door lock	235	71-J	ESCUTCHEON SUB-ASSY, door regulator handle	295	85-AS
D			F		
DAMPER, cowl ventilator	253	76-C	FAN, blower	149	47-AA
DAMPER ASSY, cowl ventilator	253	76	FAN SUB-ASSY, blower	149	47-AA
DEFLECTOR, dust	53	17-BE	FASTENER SUB-ASSY, hood	193	60-AZ
DOOR ASSY, back	229	69	FEMALE, back door hinge, inner	235	71-O
DOOR ASSY, back, LH	305	88	FEMALE, back door hinge, outer	235	71-S
DOOR ASSY, back, RH	305	88	FENDER ASSY, front, LH	191	60-Z
DOOR ASSY, front, LH	271	81	FENDER ASSY, front, LH (For U.S.A.)	191	60-Z
DOOR ASSY, front, LH	277	82	FENDER ASSY, front, RH	191	60-Z
DOOR ASSY, front, RH	271	81	FITTING, grease, small	43	16-G
DOOR ASSY, front, RH	277	82	FITTING KIT, hazard warning signal OPT (For U.S.A.)	111	38
DOOR ASSY, rear, LH	289	84	FITTING KIT, hazard warning signal OPT (For U.S.A.)	115	39
DOOR ASSY, rear, LH (For U.S.A.)	289	84	FLANGE, exhaust pipe gasket	19	5-E
DOOR ASSY, rear, RH	289	84	FLANGE, rear axle housing	49	17-AM
DOOR ASSY, rear, RH (For U.S.A.)	289	84	FLANGE, universal joint	53	17-BF
DOOR SUB-ASSY, back	233	70-K	FLASHER ASSY, hazard warning signal OPT (For U.S.A.)	115	39-F
DOOR SUB-ASSY, back, LH	305	88-G	FLASHER ASSY, turn signal	107	37-M
DOOR SUB-ASSY, back, RH	305	88-Q	FLASHER ASSY, turn signal	111	38-J
DOOR SUB-ASSY, cowl ventilator	251	75-H	FLASHER ASSY, turn signal	117	39-M
DOOR SUB-ASSY, front, LH	271	81	FLASHER SUB-ASSY, hazard warning signal OPT (For U.S.A.)	113	38-BA
DOOR SUB-ASSY, front, LH	277	82	FLOOR ASSY	249	74-D
DOOR SUB-ASSY, front, RH	271	81	FLOOR ASSY (For U.S.A.)	249	74-D
DOOR SUB-ASSY, front, RH	277	82	FLOOR ASSY OPT	249	74-D
DOOR SUB-ASSY, glove compartment	201	63-U	FLOOR ASSY, front	255	77-B
DOOR SUB-ASSY, rear, LH	289	84	FLOOR ASSY, front	333	94-B
DOOR SUB-ASSY, rear, LH (For U.S.A.)	289	84	FLOOR ASSY, front (For U.S.A.)	255	77-B
DOOR SUB-ASSY, rear, RH	289	84	FLOOR ASSY, front OPT	255	77-B
DOOR SUB-ASSY, rear, RH (For U.S.A.)	289	84	FLOOR ASSY, front OPT (For seat belt)	255	77-B
DRUM, parking brake	63	19-AE	FLOOR SUB-ASSY, front, LH	219	66-BI
DRUM SUB-ASSY, parking brake	63	19	FLOOR SUB-ASSY, front, RH	219	66-BI
DUCT, air	149	47-AT	FLOOR SUB-ASSY, rear, rear	255	77-H
DUCT SUB-ASSY, air	151	47-BM	FLOOR SUB-ASSY, rear, rear	333	94-H
DUMPER, air	151	47-BT	FLOOR SUB-ASSY, rear front	257	77-AS
DUST-PROOF, steering column hole	57	18-M	FLOOR SUB-ASSY, rear front	335	94-AT
DUST-PROOF, steering column hole (Originally in use for U.S.A. only)	57	18-M	FLOOR SUB-ASSY, rear, rear OPT (For swing door)	255	77-H
DUST-PROOF, steering column hole OPT	57	18-M			
DUST-PROOF ASSY, shifting lever hole	335	94-X			
DUST-PROOF ASSY, shifting lever hole OPT	217	66-AY			

ALPHABETICAL INDEX

NOMENCLATURE	PAGE	FIGURE NUMBER	NOMENCLATURE	PAGE	FIGURE NUMBRE
FRAME, front ventilating window			FRAME SUB-ASSY, side front, LH	263	78-H
glass, A	243	72-BA	FRAME SUB-ASSY, side front, LH (For U.S.A.)	263	78-H
FRAME, fuel tank set, front	29	10-Z	FRAME SUB-ASSY, side front, RH	263	78-H
FRAME, fuel tank set, rear	29	10-AD	FRAME SUB-ASSY, side front, RH (For U.S.A.)	263	78-H
FRAME, side inner front, LH	263	78-M	FRAME SUB-ASSY, ventilator window glass, LH B	239	72-N
FRAME, side inner front, LH (For U.S.A.)	263	78-M	FRAME SUB-ASSY, ventilator window glass, RH B	239	72-N
FRAME, side inner front, RH	263	78-M	FRAME SUB-ASSY, windshield	205	64-L
FRAME, side inner front, RH (For U.S.A.)	263	78-M	FRAME SUB-ASSY, windshield	209	65-G
FRAME, side outer center, LH	263	78-L	FRAME SUB-ASSY, windshield OPT	209	65-G
FRAME, side outer center, LH (For U.S.A.)	263	78-L	FUSE (5 amp.)	107	37-L
FRAME, side outer center, RH	263	78-L	FUSE (5 amp.)	111	38-K
FRAME, side outer center, RH (For U.S.A.)	263	78-L	FUSE (5 amp.)	117	39-AE
FRAME, side outside	263	78-N	FUSE (15 amp.)	107	37-L
FRAME, side outside rear, LH	263	78-O	FUSE (15 amp.)	111	38-K
FRAME, side outside rear, RH	263	78-O	FUSE (15 amp.)	117	39-A
FRAME, side upper center, LH	263	78-J	FUSE (15 amp.) OPT (For U.S.A.)	97	32-X
FRAME, side upper center, LH (For U.S.A.)	263	78-J	FUSE (15 amp.) OPT (For U.S.A.)	105	36-X
FRAME, side upper center, RH	263	78-J	FUSE (30 amp.)	107	37-L
FRAME, side upper center, RH (For U.S.A.)	263	78-J	FUSE (30 amp.)	111	38-K
FRAME, side upper front, LH	263	78-I	FUSE (30 amp.)	117	39-AE
FRAME, side upper front, LH (For U.S.A.)	263	78-I			
FRAME, side upper front, RH	263	78-I	G		
FRAME, side upper front, RH (For U.S.A.)	263	78-I	GAGE ASSY, fuel receiver	93	30-Z
FRAME, side upper rear, LH	263	78-Y	GAGE ASSY, fuel sender	27	10-S
FRAME, side upper rear, RH	263	78-Y	GAGE ASSY, oil pressure receiver	91	30-U
FRAME, windshield wiper motor	139	45-AC	GAGE ASSY, oil pressure sender	93	30-AC
FRAME ASSY, front seat	321	92-T	GAGE ASSY, temperature receiver	93	30-W
FRAME ASSY, rear seat	331	93-BA	GAGE ASSY, water temperature sender	91	30-L
FRAME SUB-ASSY	177	58	GARNISH, roof ventilator opening flange (Excludes U.S.A.)	221	67-O
FRAME SUB-ASSY	183	59	GARNISH, side rail front, LH	313	90-AK
FRAME SUB-ASSY, front door ventilator, LH	275	81-W	GARNISH, side rail front, LH	317	91-AL
FRAME SUB-ASSY, front door ventilator, RH	275	81-W	GARNISH, side rail front, RH	313	90-AK
FRAME SUB-ASSY, front door window, LH	241	72-T	GARNISH, side rail front, RH	317	91-AL
FRAME SUB-ASSY, front door window, LH	279	82-Z	GARNISH, side rail rear	313	90-AN
FRAME SUB-ASSY, front door window, RH	241	72-T	GARNISH, side rail rear	317	90-AN
FRAME SUB-ASSY, front door window, RH	279	82-Z	GASKET	27	10-B
FRAME SUB-ASSY, inside panel under, LH	263	78-AK	GASKET	27	10-E
FRAME SUB-ASSY, inside panel under, RH	263	78-AK	GASKET	29	10-AN
FRAME SUB-ASSY, rear seat back	321	92-J	GASKET	69	20-AK
FRAME SUB-ASSY, rear seat back (For U.S.A.)	321	92-J	GASKET	73	21-AN
			GASKET (For drain plug)	47	17-L
			GASKET, blower case	149	47-Y
			GASKET, blower case	147	47-Z
			GASKET, blower case	149	47-AM
			GASKET, blower motor	149	47-AE
			GASKET, differential carrier (thk.=0.2)	53	17-AY
			GASKET, exhaust pipe	19	5-D
			GASKET, fuel tank gage	27	10-T

ALPHABETICAL INDEX

351

NOMENCLATURE	PAGE	FIGURE NUMBER	NOMENCLATURE	PAGE	FIGURE NUMBER
GASKET, gear housing end cover (thk.=0.1)	59	18-AC	GRIP, instrument panel safety hand	201	63-L
GASKET, gear housing end cover (thk.=0.2)	59	18-AC	GROMMET	27	10-I
GASKET, gear housing end cover (thk.=0.3)	59	18-AC	GROMMET	95	31-D
GASKET, gear housing end cover (thk.=0.5)	59	18-AC	GROMMET	95	31-E
GASKET, rear axle housing cover	47	17-P	GROMMET	95	31-K
GASKET, sector shaft end cover (thk.=0.5)	57	18-W	GROMMET	95	31-N
GATE ASSY, lift	297	86	GROMMET	95	31-S
GATE ASSY, lift (Originally in use for U.S. A. only)	297	86	GROMMET	97	32-D
GATE ASSY, tail	297	86	GROMMET	97	32-D
GATE SUB-ASSY, lift inner	297	86-B	GROMMET	97	32-E
GATE SUB-ASSY, lift inner (Originally in use for U.S.A. only)	297	86-B	GROMMET	97	32-G
GATE SUB-ASSY, rear swing, LH	215	66-AL	GROMMET	97	32-K
GATE SUB-ASSY, rear swing, RH	215	66-AL	GROMMET	97	32-L
GATE SUB-ASSY, tail	297		GROMMET	97	32-R
GEAR, differential ring (N=37)	51	17-AS	GROMMET	99	33-D
GEAR, differential ring (N=37) (For gear ratio 3.7:1)	51	17-AS	GROMMET	99	33-E
GEAR, differential ring (N=37) (For gear ratio 4.11:1)	51	17-AS	GROMMET	99	33-U
GEAR, differential side (N=16)	49	17-AH	GROMMET	99	33-V
GEAR, tail gate lock striker, LH	299	87-C	GROMMET	101	34-D
GEAR, tail gate lock striker, RH	299	87-C	GROMMET	101	34-E
GEAR, windshield wiper motor	137	45-D	GROMMET	101	34-T
GLASS, back door	233	70-E	GROMMET	103	35-D
GLASS, back door window	305	88-J	GROMMET	103	35-E
GLASS, corner window, LH	225	67-AR	GROMMET	103	35-E
GLASS, corner window, RH	225	67-AR	GROMMET	103	35-G
GLASS, front door	239	72-H	GROMMET	103	35-U
GLASS, front door	275	81-AI	GROMMET	103	35-V
GLASS, front door	281	82-AL	GROMMET	103	35-W
GLASS, front door ventilator	273	81-U	GROMMET	105	36-D
GLASS, front door ventilator	279	82-X	GROMMET	105	36-E
GLASS, front door ventilator lock handle	273	82-U	GROMMET	105	36-S
GLASS, front ventilator window	239	72-S	GROMMET	105	36-T
GLASS, front window	265	79-I	GROMMET	151	47-BC
GLASS, front window	269	80-A	GROMMET	153	48-K
GLASS, lift gate window	297	86-F	GROMMET	153	48-M
GLASS, lift gate window (For U.S.A.)	297	86-F	GROMMET	155	49-F
GLASS, rear door	291	84-N	GROMMET	155	49-L
GLASS, rear door (For U.S.A.)	291	84-N	GROMMET	189	60-C
GLASS, rear upper door	229	69-F	GROMMET	203	63-AB
GLASS, side window	221	67-W	GROMMET	249	74-X
GLASS, side window	267	79-AA	GROMMET	257	77-AO
GLASS, side window	269	80-J	GROMMET	335	94-AP
GLASS, windshield	205	64-I	GROMMET (For rain leader hose)	253	76-X
GLASS, windshield	209	65-C	GROMMET (For rain leader hose connector)	253	76-X
GRILLE, radiator	191	60-AC	GROMMET (For wiring harness)	95	31-G
GRIP, door	241	72-X	GROMMET (For wiring harness)	97	32-H
			GROMMET (For wiring harness)	99	33-F
			GROMMET (For wiring harness)	101	34-S
			GROMMET (For wiring harness)	103	35-J
			GROMMET (For wiring harness)	105	36-R
			GROMMET, cab wiring harness	95	31-B
			GROMMET, cab wiring harness	97	32-B
			GROMMET, cab wiring harness	99	33-B
			GROMMET, cab wiring harness	101	34-B
			GROMMET, cab wiring harness	103	35-B
			GROMMET, cab wiring harness	105	36-B
			GROMMET, door ventilating window handle	275	81-BA

ALPHABETICAL INDEX

NOMENCLATURE	PAGE	FIGURE NUMBER	NOMENCLATURE	PAGE	FIGURE NUMBER
GROMMET, door ventilating			HANDLE ASSY, door outside, LH	293	85
window handle	279	82-AA	HANDLE ASSY, door outside, RH	293	85
GROMMET, door ventilating			HANDLE ASSY, door outside, RH	307	89-V
window service hole	241	72-AD	HANDLE ASSY, parking brake		
GROMMET, steering column	57	18-P	control	61	19
GUARD SUB-ASSY, rear bumper	179	58-AK	HANDLE ASSY, window regulator	287	83-AY
GUIDE, defroster	209	65-P	HANDLE ASSY, window regulator	295	85-AY
GUIDE, defroster OPT	209	65-P	HANDLE SUB-ASSY, cowl ventilator	251	75-U
GUIDE, defroster, upper	207	64-AC	HANDLE SUB-ASSY, door inside, LH	247	73-AI
GUIDE, parking brake plunger	61	19-R	HANDLE SUB-ASSY, door inside, RH	247	73-AI
GUIDE, shoe	61	19-C	HANDLE SUB-ASSY, door lock		
GUM, bushing			outside, LH	283	83-G
(For front floor panel hole)	213	66-O	HANDLE SUB-ASSY, door lock		
GUSSET, front bumper, LH	177	58-B	outside, RH	283	83-G
GUSSET, front bumper, LH	183	59-B	HANDLE SUB-ASSY, door outside	247	73-AN
GUSSET, front bumper, RH	177	58-B	HANDLE SUB-ASSY, door outside, LH	293	85-E
GUSSET, front bumper, RH	183	59-B	HANDLE SUB-ASSY, door outside, RH	293	85-E
GUSSET, front bumper, upper	177	58-A	HANDLE SUB-ASSY, door regulator	287	83-AY
GUSSET, front bumper, upper	183	59-A	HANDLE SUB-ASSY, door regulator	295	85-AY
GUSSET, roof drip moulding, LH	225	67-AM	HANGER, release fork retracting		
GUSSET, roof drip moulding, RH	225	67-AM	spring	41	15-R
			HANGER ASSY, visor	267	79-AM
			HANGER ASSY, visor	269	80-P
			HANGER SUB-ASSY, battery	177	58-N
			HANGER SUB-ASSY, battery	183	59-M
			HANGER SUB-ASSY, battery OPT		
			(For 70AH battery)	177	58-N
			HANGER SUB-ASSY, battery		
			(For 70AH battery)	183	59-M
			HARNES ASSY, chassis wire	101	34-N
			HARNES ASSY, chassis wire	103	35-O
			HARNES ASSY, chassis wire	105	36-L
			HARNES ASSY, front seat lap type		
			OPT	323	92-AO
			HARNES ASSY, license lamp wire	99	33-P
			HARNES ASSY, license lamp wire	101	34-P
			HARNES ASSY, license lamp wire	103	35-P
			HARNES ASSY, license lamp wire	105	36-O
			HARNES ASSY, room lamp wire	99	33-M
			HARNES ASSY, room lamp wire	101	34-L
			HARNES ASSY, room lamp wire	103	35-M
			HARNES ASSY, room lamp wire	105	36-K
			(For U.S.A.)	105	36-K
			HARNES ASSY, windshield wiper wire	99	33-G
			HARNES ASSY, windshield wiper wire	101	34-J
			HARNES ASSY, windshield wiper wire	103	35-I
			HARNES ASSY, windshield wiper wire	105	36-G
			HARNES ASSY, wiring cowl	95	31-C
			HARNES ASSY, wiring cowl	97	32-C
			HARNES ASSY, wiring cowl	99	33-C
			HARNES ASSY, wiring cowl	101	34-C
			HARNES ASSY, wiring cowl	103	35-C
			HARNES ASSY, wiring cowl	105	36-C
			HARNES ASSY, wiring cowl OPT	99	33-C
			HARNES ASSY, wiring cowl OPT	101	34-C
			HARNES ASSY, wiring cowl OPT	103	35-C

H

ALPHABETICAL INDEX

353

NOMENCLATURE	PAGE	FIGURE NUMBER	NOMENCLATURE	PAGE	FIGURE NUMBER
HARNESS ASSY, wiring cowl OPT (For alternator OPT)	101	34-C	HINGE, rear door male, lower	295	85-AI
HARNESS ASSY, wiring cowl OPT (For w heater)	95	31-C	HINGE, rear door male, upper	293	85-B
HARNESS SUB-ASSY, license lamp connecting wire OPT	99	33-P	HINGE, rear seat back stopper	327	93-L
HARNESS SUB-ASSY, license lamp connecting wire OPT	101	34-P	HINGE, rear seat female	323	92-AE
HARNESS SUB-ASSY, license lamp connecting wire OPT	103	35-P	HINGE, rear seat female	329	93-AO
HARNESS SUB-ASSY, license lamp connecting wire OPT	105	36-O	HINGE, rear seat male	323	92-AE
HARNESS SUB-ASSY, license lamp wire OPT	99	33-P	HINGE, rear upper door, female	229	69-V
HARNESS SUB-ASSY, license lamp wire OPT	101	34-P	HINGE ASSY, front door, LH	247	73-AE
HARNESS SUB-ASSY, license lamp wire OPT	103	35-P	HINGE ASSY, front door, RH	245	73-A
HARNESS SUB-ASSY, license lamp wire OPT	105	36-O	HINGE ASSY, hood	189	60-Q
HARNESS SUB-ASSY, room lamp short	99	33-M	HINGE FEMALE SUB-ASSY, wheel carrier	227	68-V
HARNESS SUB-ASSY, room lamp short	101	34-L	HINGE MALE SUB-ASSY, rear upper door, LH	229	69-Q
HARNESS SUB-ASSY, room lamp short	103	35-M	HINGE MALE SUB-ASSY, rear upper door, RH	229	69-Q
HARNESS SUB-ASSY, room lamp short	105	36-K	HINGE MALE SUB-ASSY, spare wheel carrier	227	68-Z
HARNESS SUB-ASSY, room lamp wire	99	33-M	HINGE SUB-ASSY, back door, LH	309	89-AO
HARNESS SUB-ASSY, room lamp wire	101	34-L	HINGE SUB-ASSY, back door, RH	309	89-AF
HARNESS SUB-ASSY, room lamp wire	103	35-M	HINGE SUB-ASSY, front door, lower LH	287	83
HARNESS SUB-ASSY, room lamp wire	105	36-K	HINGE SUB-ASSY, front door, lower RH	287	83
HEADLAMP ASSY (12V 50/40W)	107	37-D	HINGE SUB-ASSY, front door, upper LH	285	83
HEADLAMP ASSY (12V 50/40W)	111	38-D	HINGE SUB-ASSY, front door, upper RH	285	83
HEADLAMP ASSY (12V 50/40W)	115	39-C	HINGE SUB-ASSY, lift gate	299	87-U
HEADLINING SUB-ASSY, roof leather	315	91-I	HINGE SUB-ASSY, hood	189	60-Q
HEATER & ACCESSORY ASSY	145	46	HINGE SUB-ASSY, rear door, lower LH	295	85
HEATER & ACCESSORY ASSY	147	47	HINGE SUB-ASSY, rear door, lower RH	295	85
HEATER & ACCESSORY ASSY	153	48	HINGE SUB-ASSY, rear door, upper LH	293	85-A
HEATER ASSY	145	46-X	HINGE SUB-ASSY, rear door, upper RH	293	85-A
HEATER ASSY	153	48-H	HINGE SUB-ASSY, rear seat back, LH	323	92-AJ
HEATER ASSY	155	49-J	HINGE, SUB-ASSY, rear seat back, LH	327	93-F
HINGE, back cushion	327	93-U	HINGE SUB-ASSY, rear seat back, LH (For U.S.A.)	323	92-AJ
HINGE, back cushion lower,	331	93-AX	HINGE SUB-ASSY, rear seat back, RH	323	92-AJ
HINGE, back cushion, upper	329	93-AC	HINGE, SUB-ASSY, rear seat back, RH	327	93-F
HINGE, cowl ventilator door, LH	251	75-V	HINGE SUB-ASSY, rear seat back, RH (For U.S.A.)	323	92-AJ
HINGE, cowl ventilator door, RH	251	75-V	HINGE SUB-ASSY, rear swing gate, LH	215	66-AU
HINGE, cowl ventilator, female	251	75-W	HINGE SUB-ASSY, rear swing gate lower, LH	215	66-AU
HINGE, front door, lower female	287	83-AV	HINGE SUB-ASSY, rear swing gate lower, RH	215	66-AU
HINGE, front door, lower male	287	83-AW			
HINGE, front door, upper male	283	83-D			
HINGE, front door, upper female	285	83-AE			
HINGE, fuel inlet box	249	74-I			
HINGE, middle seat	329	93-AT			
HINGE, radiator cover support	191	60-AG			
HINGE, rear door female, lower	295	85-AG			
HINGE, rear door female, upper	293	85-A			

ALPHABETICAL INDEX

NOMENCLATURE	PAGE	FIGURE NUMBER	NOMENCLATURE	PAGE	FIGURE NUMBER
HINGE SUB-ASSY, rear swing gate, RH	215	66-AU	HOSE	155	49-K
HINGE SUB-ASSY, rear upper door center, A	231	69-AF	HOSE	155	49-O
HINGE SUB-ASSY, rear upper door center, B	231	69-AD	HOSE	253	76-AI
HINGE SUB-ASSY, tail gate	301	87-AR	HOSE	253	76-AJ
HINGE SUB-ASSY, windshield support, LH	207	64-X	HOSE (Inlet)	147	47-T
HINGE SUB-ASSY, windshield support, LH	211	65-U	HOSE (Outlet)	147	47-T
HINGE SUB-ASSY, windshield support, RH	207	64-X	HOSE, defroster	145	46-J
HINGE SUB-ASSY, windshield support, RH	211	65-U	HOSE, defroster	145	46-P
HOLDER, door outside handle key	283	83-N	HOSE, defroster	147	47-E
HOLDER, front door ventilator, inner	273	81-G	HOSE, defroster	147	47-I
HOLDER, front door ventilator, inner	279	82-G	HOSE, flexible	41	15-P
HOLDER, front door ventilator, outer	273	81-F	HOSE, flexible	67	20-Q
HOLDER, front door ventilator, outer	279	82-F	HOSE, flexible	71	21-S
HOLDER, rear seat back stopper	321	92-K	HOSE, fuel tank upper	27	10
HOLDER, roof ventilator spring (Excludes U.S.A.)	251	75-E	HOSE, rain leader	253	76-A
HOLDER, roof ventilator spring (Excludes U.S.A.)	253	76-P	HOSE, water	145	46-B
HOLDER & ACCESSORY ASSY	155	49	HOSE, water	145	46-F
HOLDER SUB-ASSY, door glass, LH	287	83-BA	HOSE, water	145	46-H
HOLDER SUB-ASSY, door glass, LH	295	85-AR	HOSE, water	151	47-AY
HOLDER SUB-ASSY, door glass, RH	287	83-BA	HOSE, water	151	47-AZ
HOLDER SUB-ASSY, door glass, RH	295	85-AR	HOUSING ASSY, rear axle	49	17-S
HOLDER SUB-ASSY, jack	255	77-E	HOUSING SUB-ASSY, rear axle	49	17-S
HOLDER SUB-ASSY, jack	333	94-E	HOUSING SUB-ASSY, steering gear	59	18-AE
HOLDER SUB-ASSY, wiper motor	139	45-AE	HOUSING SUB-ASSY, turn indicator lamp	91	30-G
HOOD SUB-ASSY	189	60-T			
HOOD SUB-ASSY OPT	189	60-T	I		
HOOK	179	58-AR	INNER ASSY, side, LH	263	78-AN
HOOK	185	59-AQ	INNER ASSY, side, LH (For U.S.A.)	263	78-AN
HOOK, front window catch upper	207	64-R	INNER ASSY, side, RH	263	78-AN
HOOK, front window catch upper	211	65-V	INNER ASSY, side, RH (For U.S.A.)	263	78-AN
HOOK, front window catch upper	207	64-R	INSERT, front ventilating window glass	239	72-R
HOOK, front window catch upper	211	65-V	INSERT, gate lock striker plate	301	87-AA
HOOK, male	325	92-AT	INSERT ASSY, gate lock striker plate, LH	299	87-K
HOOK, rear upper door stay	231	69-AK	INSERT ASSY, gate lock striker plate, RH	299	87-K
HORN ASSY, high pitched	107	37-E	INSULATOR SUB-ASSY, L/column tube bush	57	18-Q
HORN ASSY, high pitched	111	38-E			
HORN ASSY, high pitched	115	39-E	J		
HORN ASSY, low pitched	107	37-G	JOINT, water hose drain	145	46-D
HORN ASSY, low pitched	111	38-G	JOINT, water hose through	145	46-U
HORN ASSY, low pitched	115	39-E	JOINT, water hose through	147	47-V
HOSE	149	47-AU	JOINT ASSY, universal, w/yoke	43	16
HOSE	151	47-BE	JOINT SUB-ASSY, inlet	147	47-H
HOSE	153	48-I	JOINT SUB-ASSY, water hose valve	145	46-G
HOSE	153	48-J	JOINT SUB-ASSY, water hose valve	147	47-G
HOSE	153	48-L	JOINT SUB-ASSY, water hose valve	149	47-W
HOSE	153	48-P			
HOSE	155	49-D	K		
HOSE	155	49-F	KEY ASSY, front door lock (40V = RH door, 40LV = LH door)	247	73-AM

ALPHABETICAL INDEX

355

NOMENCLATURE	PAGE	FIGURE NUMBER	NOMENCLATURE	PAGE	FIGURE NUMBER
KEY ASSY, fuel tank inlet box cover	249	74-V	LAMP ASSY, pillar	119	40
KEY SUB-ASSY, door lock outside handle	283	83-I	LAMP ASSY, pillar	123	41
KNOB, door lock key (40V=LH door, 40LV=RH door)	247	73-AJ	LAMP ASSY, rear combination (12V 25/8W)	109	37-R
KNOB, front ventilating window open stopper	239	72-D	LAMP ASSY, rear combination (12V 25/8W)	113	38-R
KNOB, general use pull type switch	93	30-AE	LAMP ASSY, rear combination, LH	117	39-X
KNOB, glove compartment	201	63-A	LAMP ASSY, rear combination, LH	125	42
KNOB, light control switch	93	30-AD	LAMP ASSY, rear combination, LH (12V 25/8W) (For Australia)	109	37-R
KNOB, windshield wiper switch	93	30-AF	LAMP ASSY, rear combination, RH	117	39-S
			LAMP ASSY, rear combination, RH	125	42
			LAMP ASSY, rear combination, RH (12V 25/8W) (For Australia)	109	37-R
L			LAMP ASSY, turn signal indicator	91	30
LAMP, transfer indicator signal	91	30-A	LATCH, rear swing gate lock	217	66-AS
LAMP ASSY (For parking) (12V 4cp.) (For U.S.A.)	111	38-C	LEAF, rear spring, No.1	77	22-AG
LAMP ASSY (For parking) (12V 8W)	107	37-C	LEAF, rear spring, No.2	77	22-AG
LAMP ASSY (For parking) (12V 8W)	111	38-C	LEAF, rear spring, No.3	77	22-AG
LAMP ASSY (For parking) (12V 25, 8W) (32/4cp.)	115	39-B	LEAF, rear spring, No.5	77	22-AG
LAMP ASSY, courtesy (Excludes U.S.A.)	91	30-R	LEAF, rear spring, No.6	77	22-AG
LAMP ASSY, dome (For U.S.A.)	117	39-R	LEAF, rear spring, No.8	77	22-AG
LAMP ASSY, dome (For U.S.A.)	123	41	LEAF, rear spring, No.9	77	22-AG
LAMP ASSY, fog (12V 35W) OPT	107	37-A	LEAF SUB-ASSY, rear spring w/clip, No.1	77	22-AG
LAMP ASSY, fog (12V 35W) OPT	111	38-A	LEAF SUB-ASSY, rear spring w/clip, No.2	77	22-AG
LAMP ASSY, fog (12V 35W) OPT	115	39-A	LENS, dome lamp (For U.S.A.)	123	41-P
LAMP ASSY, front drive indicator	91	30	LENS, front turn signal lamp	119	40-B
LAMP ASSY, front turn signal	115	39-G	LENS, front turn signal lamp	123	41-B
LAMP ASSY, front turn signal	119	40	LENS, license lamp	127	42-Y
LAMP ASSY, front turn signal	123	41	LENS, license plate lamp	119	40-X
LAMP ASSY, front turn signal (12V 25W)	107	37-B	LENS, pillar lamp	123	41-F
LAMP ASSY, front turn signal (12V 25W)	111	38-B	LENS, pillar lamp	119	40-F
LAMP ASSY, front turn signal OPT (white lens, 12V 25 8W)	119	40	LENS, rear combination lamp, LH	125	42-C
LAMP ASSY, front turn signal OPT (white lens, 12V 25 8W)	123	41	LENS, rear combination lamp, RH	125	42-C
LAMP ASSY, inspection	109	37-AD	LEVER, back door lock control lower	309	89-AT
LAMP ASSY, inspection	113	38-AD	LEVER, back door lock control upper	307	89-M
LAMP ASSY, inspection	125	42-K	LEVER, parking brake shoe	63	19-AJ
LAMP ASSY, license plate	119	40	LEVER ASSY, rear upper door lock outer, LH	229	69
LAMP ASSY, license plate (12V 6cp.)	113	38-S	LEVER ASSY, rear upper door lock outer, RH	229	69
LAMP ASSY, license plate (12V 10W)	109	37-S	LEVER SUB-ASSY, gate lock control	301	87-AV
LAMP ASSY, license plate OPT (For swing door)	117	39-AC	LEVER SUB-ASSY, intermediate	65	19-BD
LAMP ASSY, license, w tail gate handle	117	39-U	LEVER SUB-ASSY, rear upper door lock outer	229	69-E
LAMP ASSY, license, w tail gate handle	125	42	LID SUB-ASSY, roof ventilator (Excludes U.S.A.)	251	75-B
LAMP ASSY, pillar	109	37-Q	LID SUB-ASSY, roof ventilator (Excludes U.S.A.)	253	76-M
LAMP ASSY, pillar	113	38-Q	LIGHTER ASSY, cigarette	91	30-M
LAMP ASSY, pillar	117	39-Q	LIGHTER ASSY, cigarette (For U.S.A.)	91	30-M
			LINER, tail gate lock check (thk.=2.3, 1.6)	299	87-A
			LINING, parking brake shoe	63	19-AR

ALPHABETICAL INDEX

357

NOMENCLATURE	PAGE	FIGURE NUMBER	NOMENCLATURE	PAGE	FIGURE NUMBER
NUT, differential adjusting	49	17-AC	PACKING, front turn signal lamp	119	40-C
NUT, hexagon	55	18-I	PACKING, front turn signal lamp	123	41-C
NUT, hexagon	57	18-T	PACKING, front turn signal lamp		
NUT, hexagon	77	22-AD	body	119	40-P
NUT, hexagon	243	72-AN	PACKING, front turn signal lamp		
NUT, hexagon	275	81-AY	body	123	41-M
NUT, hexagon	279	82-V	PACKING, fuel tank outer inlet pipe	27	10-H
NUT, hub	227	68-K	PACKING, glove compartment door	201	63-E
NUT, manifold clamp & exhaust			PACKING, handle	295	85-BB
pipe set	19	5-A	PACKING, handle seat	287	83
NUT, speed	297	86-C	PACKING, handle seat	309	89-BJ
NUT, spring	297	86-C	PACKING, inside panel cover	263	78-V
NUT, stamped	245	73-J	PACKING, lens	127	42-W
NUT, windshield wiper	133	44-C	PACKING, license plate lamp body	121	40-AA
NUT, windshield wiper	133	44-H	PACKING, license plate lamp lens	119	40-W
NUT, windshield wiper arm lock	131	43-AH	PACKING, pillar lamp	119	40-G
NUT, windshield wiper motor	137	45-F	PACKING, pillar lamp body	123	41-J
NUT, windshield wiper motor	141	45-AP	PACKING, reflex reflector, LH	267	79-AK
NUT, wing	177	58-M	PACKING, reflex reflector, LH	269	80-N
NUT, wing	183	59-N	PACKING, reflex reflector, RH	267	79-AK
NUT, wiper arm shaft pipe	129	43-H	PACKING, reflex reflector, RH	269	80-N
NUT SUB-ASSY, spare tire set	255	77-M	PACKING, rear combination lamp		
			body, LH	125	42-G
			PACKING, rear combination lamp		
			body, RH	125	42-G
			PACKING, rear combination lamp		
			lens, LH	125	42-E
			PACKING, rear combination lamp		
			lens, RH	125	42-E
			PACKING, rear upper side panel set	223	67-AC
			PACKING, roof drip moulding	221	67-T
			PACKING, roof shield, A	221	67-N
			PACKING, roof shield, B	221	67-T
			PACKING, roof ventilator (Excludes		
			U.S.A.)	221	67-Q
			PACKING, roof ventilator (Excludes		
			U.S.A.)	251	75-A
			PACKING, roof ventilator (Excludes		
			U.S.A.)	253	76-L
			PACKING, tail gate inner panel		
			cover	297	86-M
			PACKING, tail gate supporter	297	86-G
			PACKING, transmission cover, A	217	66-BG
			PACKING, transmission cover, A	335	94-W
			PACKING, transmission cover, A		
			(L=630)	257	77-V
			PACKING, transmission cover, B	217	66-BG
			PACKING, transmission cover, B	335	94-W
			PACKING, transmission cover, B		
			(L=1040)	257	77-V
			PACKING, transmission cover, C	217	66-BG
			PACKING, transmission cover, C	335	94-W
			PACKING, transmission cover, C		
			(L=1025)	257	77-V
			PACKING, windshield wiper, A	133	44-E
			PACKING, windshield wiper arm		
			shaft	129	43-P

O

P

ALPHABETICAL INDEX

NOMENCLATURE	PAGE	FIGURE NUMBER	NOMENCLATURE	PAGE	FIGURE NUMBER
PACKING, windshield wiper, B	133	44 F	PANEL, side lower, RH OPT		
PACKING, windshield wiper			(For swing door)	249	74 F
connecting rod felt	129	43 C	PANEL, side upper front, LH	263	78 P
PACKING, windshield wiper motor	141	45-AH	PANEL, side upper front, RH	263	78 P
PACKING, wiper motor crank			PANEL, side upper rear, LH	263	78 Z
housing cover	137	45 G	PANEL, side upper rear, RH	263	78 Z
PAD, back door outside handle base			PANEL, step inner, LH	199	62-V
plate	235	71-N	PANEL, step inner, RH	199	62-V
PAD, door lock outside handle	283	83-M	PANEL, step outer, LH	199	62-V
PAD, door lock outside handle	307	89 O	PANEL, step outer, RH	199	62-V
PAD, door outside handle	293	85-J	PANEL ASSY, front door trim, LH		
PAD, door outside handle small	283-	83-H	OPT (For cold weather district)	243	72 BC
PAD, door outside handle small	293	85-F	PANEL ASSY, front door trim, RH		
PAD, door outside handle small	307	89-U	OPT (For cold weather district)	243	72 BC
PAD, floor silencer	313	90-AG	PANEL ASSY, rear body front side,		
PAD, floor silencer front, LH	313	90-AD	LH	219	66-BM
PAD, floor silencer front, RH	313	90-AB	PANEL ASSY, rear body front side,		
PAD, front vent window handle			RH	219	66-BM
shaft plate	279	82-AA	PANEL ASSY, rear upper side, LH	223	67-AF
PAD, fuel tank spare	213	66-T	PANEL ASSY, rear upper side, RH	223	67-AF
PAD, hood ornament set	311	90-B	PANEL ASSY, roof	223	67-X
PAD, hood ornament set	315	91-B	PANEL ASSY, roof (For U.S.A.)	223	67-X
PAD, hood ornament set	337	95-P	PANEL SUB-ASSY, back door, lower	231	69-AE
PAD, pedal	41	15-V	PANEL SUB-ASSY, back door, upper	229	69-J
PAD, plate body rear name	313	90-AI	PANEL SUB-ASSY, cowl side, LH	263	78-AA
PAD, plate body rear name	317	91-AJ	PANEL SUB-ASSY, cowl side, RH	263	78-AA
PAD, rear body ornament	337	95-G	PANEL SUB-ASSY, cowl side, RH		
PAD, rear body ornament 4-wheel			(For U.S.A.)	263	78-AA
drive	311	90-N	PANEL SUB-ASSY, cowl upper	259	78-A
PAD, rear body ornament 4-wheel			PANEL SUB-ASSY, cowl upper		
drive	315	91-Q	(For U.S.A.)	259	78-A
PAD, rear body ornament 4-wheel			PANEL SUB-ASSY, dash	199	62-W
drive	337	95-I	PANEL SUB-ASSY, dash (For U.S.A.)	199	62-W
PAD, rear seat back stop	321	92-S	PANEL SUB-ASSY, dash OPT	199	62-W
PAD, rear seat back stop	327	93-H	PANEL SUB-ASSY, front door, inner		
PAD, rear view mirror stay bracket	267	79-AC	LH	271	81-A
PAD, separate adjust	265	79-P	PANEL SUB-ASSY, front door, inner		
PANEL, control	147	47-B	LH	277	82-A
PANEL, cowl side inner, LH	263	78-AB	PANEL SUB-ASSY, front door, inner		
PANEL, cowl side inner, RH	263	78-AB	RH	271	81-A
PANEL, cowl side inner, RH			PANEL SUB-ASSY, front door, inner		
(For U.S.A.)	263	78-AB	RH	277	82-A
PANEL, front door outer, LH	275	81-AU	PANEL SUB-ASSY, front door, LH	241	72-AC
PANEL, front door outer, LH	281	82-AV	PANEL SUB-ASSY, front door, LH		
PANEL, front door outer, RH	275	81-AU	OPT (For cold weather district)	241	72 AC
PANEL, front door outer, RH	281	82-AV	PANEL SUB-ASSY, front door, RH	241	72-V
PANEL, inside center lower LH	263	78-AO	PANEL SUB-ASSY, front door, RH		
PANEL, inside center lower RH	263	78-AO	OPT (For cold weather district)	241	72 V
PANEL, lift gate outer	297	86-D	PANEL SUB-ASSY, hood side, LH	191	60-Y
PANEL, rear door outer, LH	291	84-V	PANEL SUB-ASSY, hood side, RH	191	60-Y
PANEL, rear door outer, RH	291	84-V	PANEL SUB-ASSY, inside front, LH	263	78-K
PANEL, rear seat back	321	92-G	PANEL SUB-ASSY, inside front, LH		
PANEL, rear seat back (For U.S.A.)	321	92-G	(For U.S.A.)	263	78-K
PANEL, side lower, LH	249	74-F	PANEL SUB-ASSY, inside front, RH	263	78 K
PANEL, side lower, LH OPT			PANEL SUB-ASSY, inside front, RH		
(For swing door)	249	74-F	(For U.S.A.)	263	78-K
PANEL, side lower, RH	249	74-F	PANEL SUB-ASSY, inside rear, LH	263	78-AP

ALPHABETICAL INDEX

359

NOMENCLATURE	PAGE	FIGURE NUMBER	NOMENCLATURE	PAGE	FIGURE NUMBER
PANEL SUB-ASSY, inside rear, LH OPT (For swing door)	263	78-AP	PIECE, stabilizer bushing	47	17-B
PANEL SUB-ASSY, inside rear, RH	263	78-AP	PIECE SUB-ASSY, breather tube joint	29	10-AX
PANEL SUB-ASSY, inside rear, RH OPT (For swing door)	263	78-AP	PILLAR, front window side inner, LH	259	78-C
PANEL SUB-ASSY, instrument	203	63-W	PILLAR, front window side inner, RH	259	78-C
PANEL SUB-ASSY, instrument (For U.S.A.)	203	63-W	PILLAR, front window side upper, LH	259	78-B
PANEL SUB-ASSY, instrument OPT	203	63-W	PILLAR, front window side upper, RH	259	78-B
PANEL SUB-ASSY, instrument OPT (For heater)	203	63-W	PILLAR SUB-ASSY, 1st side, LH	263	78-AD
PANEL SUB-ASSY, instrument panel upper	263	78-AM	PILLAR SUB-ASSY, 1st side, LH (For U.S.A.)	263	78-AD
PANEL SUB-ASSY, instrument panel upper OPT (For tropical countries)	263	78-AM	PILLAR SUB-ASSY, 1st side, RH	263	78-AD
PANEL SUB-ASSY, lower LH	249	74-F	PILLAR SUB-ASSY, 1st side, RH (For U.S.A.)	263	78-AD
PANEL SUB-ASSY, lower LH OPT	249	74-F	PILLAR SUB-ASSY, front side, LH	263	78-AC
PANEL SUB-ASSY, lower RH	249	74-F	PILLAR SUB-ASSY, front side, RH	263	78-AC
PANEL SUB-ASSY, lower RH OPT	249	74-F	PILLAR SUB-ASSY, rear, LH	263	78-X
PANEL SUB-ASSY, middle seat cushion, LH	329	93-AI	PILLAR SUB-ASSY, rear, LH OPT (For swing door)	263	78-X
PANEL SUB-ASSY, middle seat cushion, LH	329	93-AM	PILLAR SUB-ASSY, rear, RH	263	78-X
PANEL SUB-ASSY, middle seat cushion, RH	329	93-AI	PILLAR SUB-ASSY, rear, RH OPT (For swing door)	263	78-X
PANEL SUB-ASSY, middle seat cushion, RH	329	92-AM	PILLAR SUB-ASSY, 2nd side, LH	263	78-AF
PANEL SUB-ASSY, rear body rear side, LH (For U.S.A.)	219	66-BP	PILLAR SUB-ASSY, 2nd side, RH	263	78-AF
PANEL SUB-ASSY, rear body rear side, RH	219	66-BP	PIN	41	15-E
PANEL SUB-ASSY, rear body rear side, RH (For U.S.A.)	219	66-BP	PIN (For clutch pedal)	41	15-W
PANEL SUB-ASSY, rear door inner, LH	291	84-P	PIN, anchor	61	19-G
PANEL SUB-ASSY, rear door inner, LH (For U.S.A.)	291	84-P	PIN, back door hinge	235	71-T
PANEL SUB-ASSY, rear door inner, RH	291	84-P	PIN, back door lock link	237	71-AK
PANEL SUB-ASSY, rear door inner, RH (For U.S.A.)	291	84-P	PIN, back door outside handle	235	71-W
PANEL SUB-ASSY, rear seat cushion	323	92-AI	PIN, cowl ventilator control wire	253	76-AA
PANEL SUB-ASSY, rear seat cushion (For U.S.A.)	323	92-AI	PIN, cowl ventilator damper spring	253	76-H
PANEL SUB-ASSY, roof	249	74-C	PIN, cowl ventilator door hinge	251	75-X
PANEL SUB-ASSY, tail gate inner	297	86-N	PIN, differential pinion shaft	49	17-AE
PANEL SUB-ASSY, tail gate outer	297	86-N	PIN, door inside handle	287	83-AR
PAWL, parking brake	61	19-Q	PIN, door inside handle	295	85-AU
PEDAL SUB-ASSY, brake	41	15-U	PIN, door inside handle	307	89-C
PEDAL SUB-ASSY, clutch	41	15-T	PIN, door lock remote control connect	285	83-X
PIECE, balance (5g.)	45	16-P	PIN, door lock remote control connect	295	85-U
PIECE, balance (10g.)	45	16-P	PIN, door lock remote control connect	309	89-BF
PIECE, balance (20g.)	45	16-P	PIN, door ventilating window handle set	241	72-AJ
PIECE, balance (30g.)	45	16-P	PIN, door ventilating window handle set	273	81-R
PIECE, radiator grille distance	191	60-AF	PIN, door ventilating window handle set	279	82-R
PIECE, reflex reflector even	267	79-AJ	PIN, front door hinge	283	83-A
PIECE, reflex reflector even	269	80-M	PIN, front door hinge	295	85-AE
			PIN, front door hinge	307	89-AC
			PIN, front door open stopper hinge	245	73-D
			PIN, front door ventilator lock handle	273	81-R
			PIN, fuel inlet box cover hinge	249	74-N
			PIN, gate lock remote control rod	301	87-AY
			PIN, glove door stopper	201	63-V

ALPHABETICAL INDEX

NOMENCLATURE	PAGE	FIGURE NUMBER	NOMENCLATURE	PAGE	FIGURE NUMBER
PIN, lift gate hinge	299	87-X	PLATE, back door lock	235	71 I
PIN, middle seat hinge	329	93-AP	PLATE, back door lock control wire set	235	71-AH
PIN, parking brake pawl	61	19-L	PLATE, battery set	177	58-J
PIN, parking brake plunger	65	19-BC	PLATE, battery set	183	59-J
PIN, rear seat hinge	323	92-AG	PLATE, door lock striker	245	73-I
PIN, rear seat support set	325	92-AV	PLATE, door lock striker, LH	285	83-AB
PIN, rear shock absorber lower pivot	77	22-AF	PLATE, door lock striker, LH	295	85-AC
PIN, rear shock absorber upper pivot	75	22-G	PLATE, door lock striker, RH	285	83-AB
PIN, rear view mirror stay	265	79-A	PLATE, door lock striker, RH	295	85-X
PIN, shoe hold down spring	65	19-AT	PLATE, door lock striker, RH	309	89-BC
PIN, spring bracket	75	22-Q	PLATE, door open stopper arm guide	309	89-AH
PIN, tail gate hinge	301	87-AT	PLATE, door striker (thk.=1.0)	285	83-AC
PIN, window regulator handle set	287	83-AR	PLATE, door striker (thk.=1.6)	285	83-AC
PIN, window regulator handle set	295	85-AU	PLATE, door ventilating window handle	243	72-AO
PIN, window regulator handle set	307	89-C	PLATE, front door glass cleaner	275	81-AJ
PIN, windshield wiper motor	137	45-H	PLATE, front door glass cleaner	281	82-AM
PIN, w/hole	61	19-A	PLATE, front door glass outer weatherstrip set	239	72-G
PIN, w/hole	63	19-Y	PLATE, front door ventilator holder	273	81-H
PIN, w/hole	63	19-Z	PLATE, front door ventilator holder	279	82-H
PIN, w/hole	63	19-AI	PLATE, front door weatherstrip set, LH	313	90-AE
PIN, w/hole	229	69-D	PLATE, front door weatherstrip set, LH	315	91-F
PIN, w/serration	245	73-B	PLATE, front door weatherstrip set, RH	313	90-AE
PIN SUB-ASSY, spring bracket	75	22-T	PLATE, front door weatherstrip set, RH	315	91-F
PINION, differential (N=10)	49	17-AJ	PLATE, front door weatherstrip set, RH	315	91-F
PINION, differential drive (N=9) (For gear ratio 4.11:1)	51	17-AT	PLATE, front door weatherstrip set, RH	315	91-F
PINION, differential drive (N=10) (For gear ratio 3.7:1)	51	17-AT	PLATE, front door weatherstrip set, RH	315	91-F
PIPE, back door window protector	305	88-B	PLATE, front vent window handle lock	275	81
PIPE, fuel tank breather vinyl	29	10-AK	PLATE, front vent window handle lock	281	82-AG
PIPE, fuel tank breather vinyl, LH	29	10-AV	PLATE, fuel inlet box cover lock	249	74-W
PIPE, fuel tank breather vinyl, RH	29	10-AV	PLATE, fuel tank cap lock	27	10-D
PIPE, rear exhaust	19	5-N	PLATE, fuel tank cap retainer	27	10-F
PIPE, tail	19	5-N	PLATE, hood stay hinge	189	60-D
PIPE, wiper arm shaft	129	43-E	PLATE, instlment panel caution (Mark English)	201	63-P
PIPE, wire harness guide	99	33-Q	PLATE, instlment panel caution OPT (Mark English)	201	63-P
PIPE, wire harness guide	101	34-O	PLATE, instlment panel caution (Mark Portuguese)	201	63-P
PIPE, wire harness guide	103	35-Q	PLATE, instlment panel caution OPT (Mark Portuguese)	201	63-P
PIPE, wire harness guide	105	36-N	PLATE, instlment panel caution (Mark Spanish)	201	63-P
PIPE SUB-ASSY, exhaust	19	5-F	PLATE, instlment panel caution OPT (Mark Spanish)	201	63-P
PIPE SUB-ASSY, front exhaust	19	5-F	PLATE, mudguard set retainer (Excludes U.S.A.)	193	60-AX
PIPE SUB-ASSY, fuel	29	10-X	PLATE, mudguard set retainer rear	257	77-AL
PIPE SUB-ASSY, fuel tank inlet upper	27	10-G	PLATE, mudguard set retainer rear	335	94-AM
PIVOT, front door ventilator, upper LH	275	81-AA	PLATE, radiator grille name	313	90-V
PIVOT, front door ventilator, upper LH	281	82-AD	PLATE, radiator grille name	315	91-W
PIVOT, front door ventilator, upper RH	275	81-AA	PLATE, radiator grille ornament set	313	90-W
PIVOT, front door ventilator, upper RH	281	82-AD			
PIVOT, vent window, LH	275	81-AA			
PIVOT, vent window, LH	281	82-AD			
PIVOT, vent window, RH	275	81-AA			
PIVOT, vent window, RH	281	82-AD			
PIVOT, windshield wiper link	133	44-K			
PIVOT, windshield wiper link	133	44-O			

ALPHABETICAL INDEX

361

NOMENCLATURE	PAGE	FIGURE NUMBER	NOMENCLATURE	PAGE	FIGURE NUMBER
PLATE, radiator grille ornament set	315	91-X	PLUG, steering gear box oil	59	18-AD
PLATE, radiator shroud	195	61-M	PLUG, water hose	151	47-BB
PLATE, radiator shroud	199	62-L	PLUG, w/head straight screw	47	17-J
PLATE, rear door glass cleaner	291	84-G	PLUG SUB-ASSY, inspection lamp	109	37-AB
PLATE, ring gear set bolt	49	17-Y	PLUG SUB-ASSY, inspection lamp	113	38-AB
PLATE, spare wheel	255	77-N	PLUG SUB-ASSY, inspection lamp	125	42-Q
PLATE, spare wheel	333	94-N	PLUNGER SUB-ASSY, parking brake	61	19-U
PLATE, spring shackles, inner	75	22-N	POST ASSY, steering	55	
PLATE, steering column hole			POST ASSY, steering OPT	55	
dust-proof set	57	18-N	POST ASSY, steering L/winker	55	18
PLATE, steering column hole			POST ASSY, steering L/winker OPT	55	18
dust-proof set			PROOF, front door glass oscillate	275	81-AE
(Originally in use for U.S.A. only)	57	18-N	PROOF, front door glass oscillate	281	82-AH
PLATE, steering sector adjusting	57	18-AA	PROOF, inside panel front cover dust	263	78-AJ
PLATE, tail gate handle	127	42-AA	PROOF, inside panel rear cover dust	263	78-AL
PLATE, tail gate lock striker	299	87-A	PROOF, rear door glass oscillate	291	84-I
PLATE, transmission set	217	66-BH	PROTECTOR, fuel tank	29	10-AP
PLATE, transmission set	257	77-AB			
PLATE, transmission set	335	94-AC	R		
PLATE, windshield wiper motor stop	141	45-AQ	RACE, steering sector, No.2	55	18-F
PLATE, wiper motor crank housing			RADIATOR ASSY, heater	149	47-AQ
cover	137	45-I	RAIL, frame side, LH	177	58-S
PLATE ASSY, door lock striker, LH	309	89-AX	RAIL, frame side, LH	185	59-S
PLATE SUB-ASSY, back door			RAIL, frame side, RH	177	58-S
outside handle	235	71-M	RAIL, frame side, RH	185	59-S
PLATE SUB-ASSY, battery set	183	59-J	RAIL SUB-ASSY, side, LH	255	77-A
PLATE SUB-ASSY, body mounting			RAIL SUB-ASSY, side, LH	333	94-A
shim	181	58-BI	RAIL SUB-ASSY, side rear, LH	263	78-AE
PLATE SUB-ASSY, body mounting			RAIL SUB-ASSY, side rear, RH	263	78-AE
shim	187	59-BH	RAIL SUB-ASSY, side, RH	255	77-A
PLATE SUB-ASSY, body mounting			RAIL SUB-ASSY, side, RH	333	94-A
shim	213	66-I	RECEPTACLE ASSY, instrument		
PLATE SUB-ASSY, body rear name	313	90-AJ	panel ash	201	63-O
PLATE SUB-ASSY, body rear name	317	91-AK	REFLECTOR ASSY, reflex	117	39-T
PLATE SUB-ASSY, door lock remote			REFLECTOR ASSY, reflex	227	68-M
control connect	295	85-AA	REFLECTOR ASSY, reflex	267	79-AL
PLATE SUB-ASSY, door lock remote			REFLECTOR ASSY, reflex	269	80-O
control connect	309	89-BH	REFLECTOR ASSY, reflex		
PLATE SUB-ASSY, door lock striker,			(Excludes U.S.A.)	219	66-BQ
LH	285	83-AA	REGULATOR ASSY, door window, LH	247	73-AH
PLATE SUB-ASSY, door lock striker,			REGULATOR ASSY, door window, LH	287	83-AZ
RH	285	83-AA	REGULATOR ASSY, door window, LH	295	85-AV
PLATE SUB-ASSY, door lock striker,			REGULATOR ASSY, door window, RH	245	73-X
RH	309	89-BB	REGULATOR ASSY, door window, RH	287	83-AS
PLATE SUB-ASSY, engine front under			REGULATOR ASSY, door window, RH	295	85-AV
cover hole	181	58-BD	REGULATOR ASSY, generator	107	37-O
PLATE SUB-ASSY, engine front under			REGULATOR ASSY, generator	113	38-M
cover hole	187	59-BC	REGULATOR ASSY, generator	117	39-O
PLATE SUB-ASSY, parking brake	61	19-F	RELAY ASSY, horn	107	37-I
PLATE SUB-ASSY, rear bumper			RELAY ASSY, horn	111	38-H
bracket OPT	185	59-AD	RELAY ASSY, horn	115	39-I
PLUG, breather	49	17-Z	RETAINER, cable	63	19-AB
PLUG, breather	49	17-AP	RETAINER, defroster hose	145	46-I
PLUG, floor dust	257	77-AI	RETAINER, door opening		
PLUG, floor dust	335	94-AJ	weatherstrip, A	317	91-AE
PLUG, hole	217	66-AX			
PLUG, hole (For U.S.A.)	91	30-E			

ALPHABETICAL INDEX

NOMENCLATURE	PAGE	FIGURE NUMBER	NOMENCLATURE	PAGE	FIGURE NUMBER
RETAINER, door opening weatherstrip, A	317	91-AF	ROD SUB-ASSY, gate lock connect, No.1	301	87 BA
RETAINER, door opening weatherstrip, A OPT	311	90-E	ROD SUB-ASSY, gate lock connect, No.2	301	87 AZ
RETAINER, door opening weatherstrip, A OPT	311	90-I	ROD SUB-ASSY, lift gate lock connect	301	87
RETAINER, door opening weatherstrip, B	317	91-AE	ROD SUB-ASSY, wiper motor	129	43 G
RETAINER, door opening weatherstrip, B	317	91-AF	ROD SUB-ASSY, wiper motor connecting	129	43-J
RETAINER, door opening weatherstrip, B OPT	311	90-E	ROLLER	43	16-C
RETAINER, door opening weatherstrip, B OPT	311	90-I	ROLLER, steering sector	55	18-G
RETAINER, front door glass, front	239	72-Q	ROLLER, steering sector, No.3	55	18-H
RETAINER, front door glass, upper	241	72-U	ROLLER KIT, steering sector	55	18
RETAINER, oil steering sector	59	18-AH	ROLLER SUB-ASSY, rear upper door	231	69-AN
RETAINER, rear body, ornament 4-wheel drive	311	90-M	RUBBER (For rear door window glass skirt)	295	85-AQ
RETAINER, rear body, ornament 4-wheel drive	315	91-P	RUBBER (For rear seat back cushion stopper)	323	92-AL
RETAINER, rear body, ornament 4-wheel drive	337	95-F	RUBBER, back door inner hole cover cushion, LH	305	88-U
RETAINER, trim board OPT (For cold weather district)	243	72-BD	RUBBER, back door inner hole cover cushion, RH	305	88-U
RETAINER, step mat, LH	195	61-X	RUBBER, door bumper	311	90-H
RETAINER, step mat, RH	195	61-X	RUBBER, door bumper	317	91-AH
RETAINER, water hose	145	46-A	RUBBER, door cushion	305	88-T
RIM, lamp	127	42-Z	RUBBER, door glass down stopper	275	81-AS
RING, door hinge bushing	301	87-AS	RUBBER, door glass down stopper	281	82-AT
RING, hole snap	43	16-B	RUBBER, door glass down stopper	291	84-R
RING, "O"	59	18-AF	RUBBER, door glass down stopper	329	93-AQ
RING, retaining	251	75-Q	RUBBER, door open stopper	285	83-AK
RING, shaft snap	253	76-AF	RUBBER, door open stopper	309	89-AJ
RING, sliding shaft boot	43	16-K	RUBBER, door open stopper silencer	275	81-AL
RING, windshield wiper link	133	44-M	RUBBER, door open stopper silencer	281	82-AO
RING, windshield wiper motor	139	45-S	RUBBER, door open stopper silencer	291	84-O
RING GEAR & DRIVE PINION KIT, differential	51	17	RUBBER, door open stopper silencer	305	88-R
RING GEAR & DRIVE PINION KIT, differential (For gear ratio 3.7:1)	51	17	RUBBER, front door glass	273	81-V
RING GEAR & DRIVE PINION KIT, differential (For gear ratio 4.11:1)	51	17	RUBBER, front door glass	279	82-Y
RIVET, round	75	22-U	RUBBER, front door glass cleaner	275	81-AK
RIVET, round	75	22-W	RUBBER, front door glass cleaner	281	82-AN
ROD, front ventilator	251	75-R	RUBBER, front door window glass skirt	289	83-BB
ROD, gate lock remote control	301	87-AI	RUBBER, front ventilator window glass hold, LH	275	81-X
ROD, gate lock remote control	303	87-BD	RUBBER, front ventilator window glass hold, LH	281	82-AB
ROD, radiator brace	195	61-H	RUBBER, front ventilator window glass hold, RH	275	81-X
ROD, radiator brace	199	62-H	RUBBER, front ventilator window glass hold, RH	281	82-AB
ROD, stabilizer end link	47	17-A	RUBBER, fuel tank inlet pipe	29	10-AJ
ROD, tail gate lock connect	301	87-AH	RUBBER, fuel tank inspection hole cover	255	77-I
ROD, windshield wiper link	133	44-N	RUBBER, fuel tank inspection hole cover	333	94-I
ROD, windshield wiper link	133	44-P	RUBBER, license lamp wire harness busing	99	33-I
ROD ASSY, choke	91	30-T			
ROD ASSY, throttle	91	30-Q			

ALPHABETICAL INDEX

363

NOMENCLATURE	PAGE	FIGURE NUMBER	NOMENCLATURE	PAGE	FIGURE NUMBER
RUBBER, license lamp wire harness			SEAT ASSY, rear	329	93
busing	101	34-H	SEAT ASSY, rear (For U.S.A.)	319	92
RUBBER, license lamp wire harness			SEAT SUB-ASSY, spring "U" bolt, LH	77	22-AC
busing	103	35-H	SEAT SUB-ASSY, spring "U" bolt, RH	77	22-AC
RUBBER, license lamp wire harness			SEPARATOR ASSY	265	79-Q
busing	105	36-I	SHACKLE KIT, rear spring	75	22
RUBBER, lift gate window	297	86-E	SHACKLE KIT, rear spring hanger	75	22
RUBBER, mudguard (Excludes U.S.A.)	193	60-AY	SHACKLE SUB-ASSY, spring, No.2	75	22-R
RUBBER, mudguard, rear	257	77-AM	SHAFT, differential pinion	49	17-AF
RUBBER, mudguard, rear	335	94-AO	SHAFT, door ventilating window lock		
RUBBER, mudguard, RH			handle	243	72-AY
(Excludes U.S.A.)	193	60-AY	SHAFT, front door ventilator lock		
RUBBER, rear door glass cleaner	291	84-F	handle	273	81-T
RUBBER, side window	267	79-Z	SHAFT, front vent window handle	275	81-BB
RUBBER, side window	269	80-I	SHAFT, front vent window handle	281	82-AF
RUBBER, silencer, LH	307	89-N	SHAFT, front ventilating window		
RUBBER, silencer, RH	307	89-R	open stopper, A	243	72-AE
RUBBER SUB-ASSY, exhaust pipe	19	5-H	SHAFT, steering sector roller	55	18-D
RUN, front door glass, long	275	81-AG	SHAFT, windshield wiper motor	139	45-O
RUN, front door glass, long	281	82-AJ	SHAFT ASSY, propeller, front	43	16
RUN, front door glass, short	275	81-AG	SHAFT ASSY, propeller, rear	43	16
RUN, front door glass, short	281	82-AJ	SHAFT ASSY, steering sector	57	18-Y
RUN, rear door glass	291	84-E	SHAFT SUB-ASSY, propeller, front	45	16-L
			SHAFT SUB-ASSY, propeller, rear	45	16-L
S			SHAFT SUB-ASSY, propeller, front,		
SCREEN, cowl ventilator	251	75-I	w universal joint	45	16
SCREW	123	41-A	SHAFT SUB-ASSY, propeller, rear,		
SCREW, cross recess flat fillister	227	68-B	w universal joint	45	16
SCREW, cross recess round	241	72-AE	SHAFT SUB-ASSY, steering main	59	18-AS
SCREW, license lamp rim set	127	42-V	SHAFT SUB-ASSY, windshield wiper		
SCREW, rear combination lamp, long	125	42-A	arm, LH	129	43-L
SCREW, rear combination lamp, short	125	42-A	SHAFT SUB-ASSY, windshield wiper		
SCREW, tapping	123	41-I	arm, RH	129	43-D
SCREW, tapping	151	47-BP	SHAFT SUB-ASSY, wiper drive	137	45
SCREW, tapping	315	91-G	SHIELD ASSY, rear OPT		
SCREW, tapping	315	91-S	(For swing door)	263	78-T
SCREW, windshield wiper	141	45-AM	SHIELD SUB-ASSY, rear shield	263	78-T
SCREW, windshield wiper motor	137	45-J	SHIM	55	18-E
SCREW, windshield wiper motor	137	45-L	SHIM	179	58-AG
SCREW, windshield wiper motor	139	45-N	SHIM (For battery bracket)	177	58-Q
SCREW, windshield wiper motor	139	45-V	SHIM (For battery bracket)	183	59-Q
SCREW, windshield wiper motor	141	45-AG	SHIM (For radiator support)	195	61-P
SCREW, wiper motor set	129	43-AA	SHIM (For radiator support)	199	62-R
SEAL, type "T" oil	53	17-BD	SHIM (thk.=0.03)	53	17-BA
SEAL, universal joint spider bearing	43	16-E	SHIM (thk.=0.10)	53	17-BA
SEAT, door outside handle spring	285	83-S	SHIM (thk.=0.1)	59	18-AR
SEAT, door outside handle spring	295	85-P	SHIM (thk.=0.2)	59	18-AR
SEAT, gate hold striker plate insert	299	87-J	SHIM (thk.=0.25)	51	17-AW
SEAT, gate lock striker plate insert	299	87-Y	SHIM (thk.=0.25)	53	17-BA
SEAT, rear spring	49	17-AN	SHIM (thk.=0.30)	51	17-AW
SEAT, window regulator handle	287	83	SHIM (thk.=0.31)	57	18-AB
SEAT, window regulator handle	295	85-BC	SHIM (thk.=0.35)	51	17-AW
SEAT, window regulator handle	309	89-BI	SHIM (thk.=0.45)	51	17-AW
SEAT ASSY, front	319	92	SHIM (thk.=0.45)	53	17-BA
SEAT ASSY, front (For U.S.A.)	319	92	SHIM (thk.=0.5)	57	18-AB
SEAT ASSY, rear	319	92	SHIM (thk.=0.5)	59	18-AR
			SHIM, floor rear stiffener	219	66-BO

ALPHABETICAL INDEX

NOMENCLATURE	PAGE	FIGURE NUMBER	NOMENCLATURE	PAGE	FIGURE NUMBER
SHIM, fuel tank, lower	29	10-AR	SPACER (thk.=2.78)	53	17-AX
SHIM, fuel tank, upper	29	10-V	SPACER (thk.=2.81)	53	17-AX
SHIM, fuel tank, upper	29	10-AU	SPACER (thk.=2.84)	53	17-AX
SHIM, fuel tank upper, rear	29	10-AI	SPACER (thk.=2.87)	53	17-AX
SHIM, gate lock striker plate, No.1 (thk.=2.3)	299	87-Z	SPACER (thk.=2.90)	53	17-AX
SHIM, gate lock striker plate, No.2 (thk.=3.2)	299	87-Z	SPACER (thk.=2.93)	53	17-AX
SHIM, hood side panel cushion	193	60-AU	SPACER (thk.=2.96)	53	17-AX
SHIM, mounting	179	58-T	SPACER, differential pinion shaft, No.1	49	17-AG
SHIM, mounting	185	59-T	SPACER, differential pinion shaft, No.2	49	17-AG
SHIM, radiator cover cushion	191	60-AB	SPACER, differential pinion shaft, No.3	49	17-AG
SHIM, radiator cover support hinge bracket	191	60-AK	SPACER, door belt line, front LH	271	81-B
SHIM, steering sector adjusting (thk.=0.31)	57	18-AB	SPACER, door belt line, front LH	277	82-B
SHIM, step	195	61-Y	SPACER, door belt line, front RH	271	81-B
SHIM SUB-ASSY, cowl body mounting	197	61-AF	SPACER, door belt line, front RH	277	82-B
SHOE ASSY, parking brake	65	19-AS	SPACER, door belt line, rear LH	273	81-O
SHOE ASSY, parking brake (For U.S.A.)	65	19-AS	SPACER, door belt line, rear LH	279	82-O
SHOE SUB-ASSY, parking brake	65	19	SPACER, door belt line, rear LH	291	84-D
SIDE ASSY, LH	249	74-E	SPACER, door belt line, rear RH	273	81-O
SIDE ASSY, LH OPT (For swing door)	249	74-E	SPACER, door belt line, rear RH	279	82-O
SIDE ASSY, outer, LH	249	74-B	SPACER, door belt line, rear RH	291	84-D
SIDE ASSY, outer, RH	249	74-B	SPACER, door window regulator	287	83-BG
SIDE ASSY, outlet, LH OPT	249	74-B	SPACER, door window regulator	295	85-BD
SIDE ASSY, outlet, RH OPT	249	74-B	SPACER, front side panel pillar	225	67-AQ
SIDE ASSY, RH	249	74-E	SPACER, rear upper door lock stopper	237	71-AU
SIDE ASSY, RH OPT (For swing door)	249	74-E	SPACER, rear swing gate hinge female	217	66-AV
SILENCER, gate remote control	299	87-M	SPACER, rear swing gate lock latch	217	66-AT
SILENCER, roof, No.1	311	90-F	SPACER, roof drip moulding strength	225	67-AN
SILENCER, roof, No.1	315	91-D	SPACER, windshield	207	64-W
SILENCER, roof, No.2	311	90-G	SPACER, windshield	211	65-AA
SILENCER, roof, No.2	315	91-E	SPACER, windshield OPT	211	65-AA
SILENCER, roof, No.3	311	90-S	SPEEDOMETER ASSY (Km.)	91	30-H
SILENCER, roof, No.3	315	91-U	SPEEDOMETER ASSY (Mile)	91	30-H
SILENCER ASSY, dash panel	311	90-D	SPIDER, universal joint	43	16-D
SILENCER ASSY, dash panel	317	91-AD	SPIDER KIT, universal joint	43	16
SLEEVE, parking brake plunger	65	19-BB	SPRING	67	20-H
SLINGER, drive pinion oil	53	17-BC	SPRING	71	21-H
SOCKET ASSY, inspection lamp	107	37-N	SPRING	243	72-AV
SOCKET ASSY, inspection lamp	111	38-I	SPRING, back door control connect	309	89-AQ
SOCKET ASSY, inspection lamp	125	42-P	SPRING, brake shoe hold down	63	19-AG
SOCKET ASSY, trailer OPT	109	37-T	SPRING, compression	63	19-AP
SOCKET ASSY, trailer OPT	113	38-T	SPRING, compression	241	72-AI
SOCKET ASSY, trailer OPT	117	39-AZ	SPRING, compression	275	81-AW
SOCKET & WIRE SUB-ASSY, flasher indicator lamp	91	30-K	SPRING, compression	279	82-T
SOCKET & WIRE SUB-ASSY, front drive indicator lamp	91	30-C	SPRING, cowl ventilator damper	253	76-G
SPACER	53	17-AX	SPRING, cowl ventilator handle	251	75-N
SPACER	147	47-O	SPRING, door lock	245	73-P
SPACER	221	67-E	SPRING, door lock outside handle	285	83-R
SPACER (thk.=2.75)	53	17-AX	SPRING, door outside handle	295	85-O
			SPRING, fuel inlet box cover, key clamp	249	74-S
			SPRING, fuel inlet box cover, lower	249	74-J
			SPRING, fuel inlet box cover, upper	249	74-H

ALPHABETICAL INDEX

365

NOMENCLATURE	PAGE	FIGURE NUMBER	NOMENCLATURE	PAGE	FIGURE NUMBER
SPRING, hood stay clamp	189	60-K	STAY SUB-ASSY, rear upper		
SPRING, instrument panel pocket cover lock	201	63-F	door, RH	229	69-H
SPRING, jack handle set	255	77-T	STAY SUB-ASSY, rear view mirror	265	79-D
SPRING, jack handle set	333	94-U	STEP, rear	215	66-Z
SPRING, pentroof ventilator			STEP, rear (For trailer) OPT	215	66-Z
(Excludes U.S.A.)	251	75-C	STEP ASSY, LH	197	61
SPRING, pentroof ventilator			STEP ASSY, RH	197	61
(Excludes U.S.A.)	253	76-N	STEP SUB-ASSY, LH	197	61-AC
SPRING, retainer	151	47-BF	STEP SUB-ASSY, RH	197	61-AC
SPRING, retainer	153	48-O	STOP ASSY, rear seat back, LH	321	92-R
SPRING, retainer	155	49-M	STOP ASSY, rear seat back, LH	327	93-L
SPRING, retainer OPT	109	37-AQ	STOP ASSY, rear seat back, LH		
SPRING, retainer OPT	113	38-AN	(For U.S.A.)	321	92-R
SPRING, retainer OPT	117	39-AO	STOP ASSY, rear seat back, RH	321	92-R
SPRING, starting handle support			STOP ASSY, rear seat back, RH	327	93-I
OPT	215	66-W	STOP ASSY, rear seat back, RH		
SPRING, tail gate lock lever back	299	87-P	(For U.S.A.)	321	92-R
SPRING, tail gate supporter	301	87-AW	STOP SUB-ASSY, door down	245	73-F
SPRING, tension	41	15-M	STOPPER, back cushion, A	331	93-AY
SPRING, tension	61	19-S	STOPPER, back cushion, B	331	93-AY
SPRING, tension	63	19-AH	STOPPER, bumper, rear LH	75	22-K
SPRING, tension	63	19-AN	STOPPER, bumper, rear RH	75	22-K
SPRING, tension	229	69-Z	STOPPER, door lock	245	73-Q
SPRING, tension	229	69-AA	STOPPER, door ventilating window		
SPRING, tension	231	69-AB	open	243	72-AR
SPRING, tension	235	71-H	STOPPER, front door open	245	73-C
SPRING, tension	323	93-V	STOPPER, front turn signal lamp set	119	40-T
SPRING, tension	323	93-W	STOPPER, rear swing gate open,		
SPRING, torsion	65	19-BA	female	215	66-AG
SPRING, torsion	235	71-U	STOPPER, rear upper door lock	237	71-AT
SPRING, windshield wiper motor	139	45-T	STOPPER, throttle wire	93	30-X
SPRING, windshield wiper motor			STOPPER, wiper arm shaft	129	43-M
brush	141	45-AN	STOPPER, wiper arm shaft	129	43-N
SPRING ASSY, rear, LH	77	22-AG	STOPPER ASSY, front ventilating		
SPRING ASSY, rear, RH	77	22-AG	window open, LH (Excludes U.S.A.)	221	67-R
STATOR COIL SUB-ASSY, windshield wiper motor	139	45-Z	STOPPER ASSY, front ventilator		
STATOR SUB-ASSY, wiper motor	139	45-AB	window open, LH	239	72-M
STAY, air duct	147	47-J	STOPPER ASSY, front ventilator		
STAY, air duct	147	47-U	window open, RH	239	72-M
STAY, air duct	151	47-BO	STOPPER ASSY, rear swing gate		
STAY, back door outside handle	237	71-AP	open	215	66-AK
STAY, front fender, LH	191	60-AS	STOPPER RUBBER, door open	295	85-AM
STAY, front fender, RH	191	60-AS	STOPPER SUB-ASSY, door down, RH	295	85-Y
STAY, rear view mirror support	265	79-E	STOPPER SUB-ASSY, door lock		
STAY, steering column	203	63-AD	striker, LH	295	85-AD
STAY, steering column			STOPPER SUB-ASSY, door open	285	83-AI
(Originally in use for U.S.A. only)	203	63-AD	STOPPER SUB-ASSY, door open	295	85-AF
STAY ASSY, back door, LH	233	70-A	STOPPER SUB-ASSY, door open	309	89-AI
STAY ASSY, back door, RH	233	70-A	STOPPER SUB-ASSY, front door glass	275	81-AM
STAY ASSY, rear view mirror	265	79	STOPPER SUB-ASSY, front door glass	281	82-AP
STAY ASSY, tail gate, LH	301	87-AK	down	245	73-Y
STAY ASSY, tail gate, RH	301	87-AK	STRAINER SUB-ASSY, fuel OPT	29	10-AY
STAY SUB-ASSY, back door, LH	229	69-K	STRAP ASSY, safety OPT	213	66-H
STAY SUB-ASSY, hood	189	60-M	STRENGTH, front upper	261	78-G
STAY SUB-ASSY, parking brake	63	19-V	STRENGTH, front upper (For U.S.A.)	261	78-G
			STRENGTH, front upper, LH	261	78-F

ALPHABETICAL INDEX

NOMENCLATURE	PAGE	FIGURE NUMBER	NOMENCLATURE	PAGE	FIGURE NUMBER
STRENGTH, front upper, RH	261	78-F	SWITCH ASSY, hazard warning		
STRENGTH, rear shield upper	263	78-S	signal OPT (For U.S.A.)	117	39-BC
STRENGTH SUB-ASSY, roof	311	90-R	SWITCH ASSY, headlamp dimmer	107	37-J
STRENGTH SUB-ASSY, roof drip			SWITCH ASSY, headlamp dimmer	113	38-N
moulding	223	67-AJ	SWITCH ASSY, headlamp dimmer	115	39-J
STRENGTH SUB-ASSY, roof, No. 1	315	91-L	SWITCH ASSY, heater	147	47-C
STRENGTH SUB-ASSY, roof, No. 2	315	91-J	SWITCH ASSY, heater blower	153	48-A
STRIKER, tail gate lock, LH	299	87-B	SWITCH ASSY, heater blower	155	49-A
STRIKER, tail gate lock, RH	299	87-B	SWITCH ASSY, ignition	93	30-AB
STRIP, back door moulding			SWITCH ASSY, interior dome lamp	91	30-O
rubber OPT	311	90-U	SWITCH ASSY, light control	91	30-D
STRIP, back door moulding			SWITCH ASSY, over drive lock out		
rubber OPT	315	91-V	(For front drive indicator)	117	39-P
STRIP, door ventilating window			SWITCH ASSY, stop lamp	107	37-H
frame, LH	239	72-R	SWITCH ASSY, stop lamp	113	38-L
STRIP, door ventilating window			SWITCH ASSY, stop lamp	115	39-H
frame, RH	239	72-R	SWITCH ASSY, trailer socket		
STRUT, parking brake shoe lever	63	19-AO	change over OPT	109	37-AU
SUB-PLATE, steering column hole			SWITCH ASSY, trailer socket		
dust-proof set			change over OPT	113	38-AU
(Originally in use for U.S.A. only)	57	18-N	SWITCH ASSY, trailer socket		
SUB RAIL, side rail rear, LH	257	77-AJ	change over OPT	117	39-AS
SUB RAIL, side rail rear, LH	335	94-AK	SWITCH ASSY, turn signal	107	37-K
SUB RAIL, side rail rear, RH	257	77-AJ	SWITCH ASSY, turn signal	113	38-O
SUB RAIL, side rail rear, RH	335	94-AK	SWITCH ASSY, turn signal	115	39-K
SUPPORT, exhaust pipe, No.2	21	5-Z	SWITCH ASSY, windshield wiper	91	30-P
SUPPORT, release cylinder	41	15-S	SWITCH ASSY, windshield wiper		
SUPPORT, roof headlining, No. 1	315	91-H	(Originally in use for U.S.A. only)	91	30-P
SUPPORT, roof headlining, No. 2	315	91-K	SWITCH SUB-ASSY, license lamp		
SUPPORT, roof headlining, No. 3	315	91-T	connecting female	117	39-V
SUPPORT, windshield wiper motor	137	45-C	SWITCH SUB-ASSY, license lamp		
SUPPORT, windshield wiper motor	139	45-X	connecting female OPT	117	39-V
SUPPORT SUB-ASSY, radiator	195	61-N	SWITCH SUB-ASSY, license lamp		
SUPPORT SUB-ASSY, radiator	199	62-M	connecting male	117	39-W
SUPPORTER ASSY, tail gate, LH	301	87-AX	SWITCH SUB-ASSY, wiper motor	137	45-K
SUPPORTER ASSY, tail gate, RH	301	87-AX			
SUPPORTER SUB-ASSY, rear seat, LH	325	92-AW	T		
SUPPORTER SUB-ASSY, rear seat, RH	325	92-AW	TANK SUB-ASSY, fuel	29	10-A
SWITCH, car heater control	145	46-Y	TRACK ASSY, seat, LH	321	92-U
SWITCH ASSY			TRACK ASSY, seat, LH (For U.S.A.)	323	92-U
(For front drive indicator)	107	37-P	TRACK ASSY, seat, RH	321	92-U
SWITCH ASSY			TRACK ASSY, seat, RH (For U.S.A.)	321	92-U
(For front drive indicator)	113	38-P	TRAY, ash	319	92-C
SWITCH ASSY, back up lamp OPT	109	37-AN	TRAY, battery	177	58-L
SWITCH ASSY, back up lamp OPT	113	38-AP	TRAY, battery	183	59-L
SWITCH ASSY, back up lamp OPT	117	39-AL	TUBE, bridge, front 3 way	67	20-I
SWITCH ASSY, back up lamp			TUBE, bridge, front 3 way	71	21-I
OPT (For floor shift)	109	37-AK	TUBE, bridge, front 3 way	71	21-Z
SWITCH ASSY, back up lamp			TUBE, master cylinder to		
OPT (For floor shift)	113	38-AK	flexible hose	41	15-B
SWITCH ASSY, back up lamp			TUBE, master cylinder to 3 way	67	20-K
OPT (For floor shift)	117	39-AF	TUBE, master cylinder to 3 way	71	21-P
SWITCH ASSY, fog lamp OPT	91	30-N	TUBE, 3 way to front LH		
SWITCH ASSY, general use pull type	91	31-E	flexible hose	67	20-Y
SWITCH ASSY, hazard warning			TUBE, 3 way to front LH		
signal OPT (For U.S.A.)	113	38-BB	flexible hose	71	21-L

ALPHABETICAL INDEX

367

NOMENCLATURE	PAGE	FIGURE NUMBER	NOMENCLATURE	PAGE	FIGURE NUMBER
TUBE, 3 way to front RH			WASHER, gate lock remote control		
flexible hose	67	20-X	silencer	301	87-BB
TUBE, 3 way to front RH			WASHER, parking brake plunger	61	19-J
flexible hose	71	21-AB	WASHER, plate	19	5-T
TUBE, 3 way to rear flexible hose	67	20-N	WASHER, plate	53	17-BG
TUBE, 3 way to rear flexible hose	71	21-Q	WASHER, plate	189	60-F
TUBE, 3 way to rear LH brake	67	20-U	WASHER, plate	223	67-AG
TUBE, 3 way to rear LH brake	71	21-X	WASHER, plate	227	68-X
TUBE, 3 way to rear RH brake	67	20-R	WASHER, plate	243	72-AS
TUBE, 3 way to rear RH brake	71	21-U	WASHER, plate	243	72-AX
TUBE, wheel cylinder, No. 1	67	20-C	WASHER, plate OPT	213	66-M
TUBE, wheel cylinder, No. 1	71	21-C	WASHER, rear combination lamp,		
TUBE, wheel cylinder, No. 2	67	20-A	leather	125	42-B
TUBE, wheel cylinder, No. 2	71	21-A	WASHER, ring	129	43-A
TUBE, wheel cylinder, rear	67	20-P	WASHER, rosette	275	81-AQ
TUBE, wheel cylinder, rear	71	21-T	WASHER, rosette (Excludes U.S.A.)	291	84-T
TUBE SUB-ASSY, fuel suction	29	10-U	WASHER, shock absorber cushion	75	22-C
TUBE SUB-ASSY, steering column	57	18-O	WASHER, shock absorber cushion	75	22-F
			WASHER, spring	57	18-R
			WASHER, type "C"	61	19-B
			WASHER, type "C"	61	19-T
			WASHER, type "C"	63	19-AQ
			WASHER, wave	61	19-D
			WASHER, wave	235	71-R
			WASHER, wave	237	71-AM
			WASHER, wave	243	72-AM
			WASHER, wave	275	81-AX
			WASHER, wave	279	82-U
			WASHER, wave OPT	109	37-AO
			WASHER, wave OPT	113	38-AO
			WASHER, wave OPT	117	39-AM
			WASHER, windshield wiper	133	44-G
			WASHER, windshield wiper arm		
			shaft	129	43-I
			WASHER, windshield wiper arm		
			spring	131	43-AI
			WASHER, windshield wiper link	133	44-D
			WASHER, windshield wiper link felt	133	44-L
			WASHER, windshield wiper motor	137	45-A
			WASHER, windshield wiper motor	137	45-B
			WASHER, windshield wiper motor	137	45-E
			WASHER, windshield wiper motor	139	45-AA
			WASHER, wiper arm shaft, LH	129	43-O
			WASHER, wiper motor set	131	43-AC
			WAY, 2	71	21-K
			WAY, 3	67	20-B
			WAY, 3	67	20-L
			WAY, 3	67	20-S
			WAY, 3	71	21-B
			WAY, 3	71	21-N
			WAY, 3	71	21-V
			WEATHERSTRIP, back door inner	305	88-F
			WEATHERSTRIP, back door, LH	305	88-E
			WEATHERSTRIP, back door, lower	233	70-L
			WEATHERSTRIP, back door, lower, LH	305	88-N
			WEATHERSTRIP, back door, outer	305	88-I
			WEATHERSTRIP, back door, RH	305	88-P
V					
VISOR ASSY (For LH)	265	79-M			
VISOR ASSY (For LH)	269	80-C			
VISOR ASSY (For RH)	265	79-M			
VISOR ASSY (For RH)	269	80-C			
VISOR ASSY, LH OPT	337	95-Y			
VISOR ASSY, RH OPT	337	95-X			
W					
WASHER	149	47-AC			
WASHER	149	47-AH			
WASHER	243	72-AP			
WASHER	275	81-AZ			
WASHER	279	82-W			
WASHER, differential pinion thrust					
(thk.=1.6)	49	17-AK			
WASHER, differential pinion thrust					
(thk.=1.8)	49	17-AK			
WASHER, differential side gear					
thrust (thk.=1.6)	49	17-AI			
WASHER, differential side gear					
thrust (thk.=1.8)	49	17-AI			
WASHER, door lock regulator					
connect wave	287	83-BH			
WASHER, door lock remote	309	89-BG			
WASHER, door open stopper rubber	285	83-AL			
WASHER, door open stopper rubber	295	85-AN			
WASHER, door open stopper rubber	309	89-AM			
WASHER, door ventilating window					
lower bracket	243	72-AW			
WASHER, finish	201	63-N			
WASHER, front door ventilator lock					
handle	273	81-S			
WASHER, front ventilating window					
open wave	239	72-C			
WASHER, fuel inlet box cover hinge	249	74-O			

ALPHABETICAL INDEX

NOMENCLATURE	PAGE	FIGURE NUMBER	NOMENCLATURE	PAGE	FIGURE NUMBER
WEATHERSTRIP, back door, upper	233	70-M	WEATHERSTRIP ASSY, lift & tail		
WEATHERSTRIP, back door window	305	88-H	gate	311	90-U
WEATHERSTRIP, back window guide	229	69-W	WEATHERSTRIP ASSY, lift & tail		
WEATHERSTRIP, corner window,			gate	315	91-V
inner	225	67-AU	WEATHERSTRIP SUB-ASSY, front		
WEATHERSTRIP, corner window,			door, LH	241	72-AB
outer	225	67-AT	WEATHERSTRIP SUB-ASSY, front		
WEATHERSTRIP, cowl ventilator	251	75-J	door opening	317	91-AE
WEATHERSTRIP, cowl ventilator	253	76-B	WEATHERSTRIP SUB-ASSY, front		
WEATHERSTRIP, door	311	90-E	door opening OPT	311	90-E
WEATHERSTRIP, door	317	91-AE	WEATHERSTRIP SUB-ASSY, front		
WEATHERSTRIP, door glass channel	239	72-I	door, RH	241	72-AB
WEATHERSTRIP, drip moulding outer	221	67-U	WEATHERSTRIP SUB-ASSY, rear		
WEATHERSTRIP, front door, upper LH	239	72-P	door opening	317	91-AF
WEATHERSTRIP, front door, upper RH	239	72-P	WEATHERSTRIP SUB-ASSY, rear		
WEATHERSTRIP, front door window			door opening OPT	311	90-I
outer	239	72-E	WINDOW SUB-ASSY, front upper	259	78-D
WEATHERSTRIP, front shield	207	64-Z	WINDOW SUB-ASSY, front upper		
WEATHERSTRIP, front shield	211	65-AB	(For U.S.A.)	261	78-D
WEATHERSTRIP, front ventilating			WIPER ASSY, windshield	129	43
window, LH	239	72-O	WIPER ASSY, windshield	133	44
WEATHERSTRIP, front ventilating			WIPER ASSY, windshield		
window, RH	239	72-O	(For U.S.A. L/ blade)	133	44
WEATHERSTRIP, lift gate	297	86-A	WIRE, back door lock control	237	71-AJ
WEATHERSTRIP, lift gate, lower	297	86-A	WIRE, back door lock control, B	235	71-AA
WEATHERSTRIP, rear door	311	90-I	WIRE, back door lock control, C	237	71-AQ
WEATHERSTRIP, rear door	317	91-AF	WIRE, heater switch to blower	153	46-B
WEATHERSTRIP, rear upper door	229	69-P	WIRE, heater switch to blower	155	49-B
WEATHERSTRIP, rear upper door			WIRE, instrument panel lamp feed	99	33-H
window, inner	229	69-I	WIRE, instrument panel lamp feed	101	34-G
WEATHERSTRIP, rear upper door			WIRE, instrument panel lamp feed	101	34-X
window, outer	229	69-G	WIRE, instrument panel lamp feed	103	35-K
WEATHERSTRIP, rear upper side			WIRE, instrument panel lamp feed	105	36-H
panel	223	67-AE	WIRE, interial field	95	31-L
WEATHERSTRIP, roof	221	67-M	WIRE, interial field	97	32-M
WEATHERSTRIP, roof, front	223	67-AH	WIRE, trailer socket ground OPT	109	37-AJ
WEATHERSTRIP, side window, inner	221	67-V	WIRE, trailer socket ground OPT	113	38-AJ
WEATHERSTRIP, side window, inner	233	70-G	WIRE, trailer socket ground OPT	117	39-BB
WEATHERSTRIP, side window, outer	221	67-U	WIRE, windshield wiper motor	139	45-Y
WEATHERSTRIP, side window, outer	233	70-F	WIRE, windshield wiper motor lead	141	45-AL
WEATHERSTRIP, side window			WIRE ASSY, cowl ventilator control	253	76-AE
rubber inner	267	79-Y	WIRE ASSY, license lamp feed	95	31-O
WEATHERSTRIP, side window			WIRE ASSY, license lamp feed	97	32-P
rubber inner	269	80-H	WIRE ASSY, wiper switch to wiper	95	31-H
WEATHERSTRIP, upper side panel, LH	225	67-AS	WIRE ASSY, wiper switch to wiper	97	32-I
WEATHERSTRIP, upper side panel, RH	225	67-AS	WIRE SUB-ASSY, fog lamp feed OPT	99	33-R
WEATHERSTRIP, upper side set			WIRE SUB-ASSY, fog lamp feed OPT	101	34-Q
flange	223	67-AE	WIRE SUB-ASSY, fog lamp feed OPT	103	35-S
WEATHERSTRIP, windshield	205	64-K	WIRE SUB-ASSY, fog lamp feed OPT	105	36-P
WEATHERSTRIP, windshield	209	65-E	WIRE SUB-ASSY, seat adjuster		
WEATHERSTRIP, windshield	265	79-J	control	323	92-X
WEATHERSTRIP, windshield	269	80-B	WIRING ASSY, chassis	95	31-P
WEATHERSTRIP, windshield outer	205	64-J	WIRING ASSY, chassis	97	32-O
WEATHERSTRIP, windshield outer	209	65-D	WIRING ASSY, chassis	99	33-O
WEATHERSTRIP ASSY, front door			WIRING ASSY, chassis (For Australia)	95	31-P
window, inner	239	72-J	WIRING ASSY, headlamp junction	95	31-R
			WIRING ASSY, headlamp junction	97	32-S

ALPHABETICAL INDEX

369

NOMENCLATURE	PAGE	FIGURE NUMBER	NOMENCLATURE	PAGE	FIGURE NUMBER
WIRING ASSY, headlamp junction	99	33-S	WIRING ASSY, trailer socket	97	32-Q
WIRING ASSY, headlamp junction	101	34-R	WIRING ASSY, trailer socket OPT	109	37-AZ
WIRING ASSY, headlamp junction	103	35-R	WIRING ASSY, trailer socket OPT	113	38-AZ
WIRING ASSY, headlamp junction	105	36-Q	WIRING ASSY, trailer socket OPT	117	39-BA
WIRING ASSY, to back up lamp switch OPT (For floor shift)	95	31-W	WIRING SUB-ASSY, hazard warning signal OPT (For U.S.A.)	97	32-X
WIRING ASSY, to back up lamp switch OPT (For floor shift)	97	32-W	WIRING SUB-ASSY, hazard warning signal OPT (For U.S.A.)	105	36-X
WIRING ASSY, to back up lamp switch OPT (For floor shift)	101	34-Y			
WIRING ASSY, to back up lamp switch OPT (For floor shift)	105	36-W	Y		
WIRING ASSY, to generator	99	33-T	YOKE, universal joint, flange	43	16-A
WIRING ASSY, to generator	103	35-T	YOKE SUB-ASSY, universal joint slide	43	16-H
WIRING ASSY, trailer socket	95	31-Q			

MANUFACTURER'S NUMERICAL INDEX

PART NUMBER	PAGE	FIGURE NUMBER	PART NUMBER	PAGE	FIGURE NUMBER	PART NUMBER	PAGE	FIGURE NUMBER
04371-60010	43		*37410-60020	43		45207-60020	57	18-Q
04452-55010	55		37410-60021	43		45216-59010*	59	18-AC
04483-35010	75		37411-60020	43	16-D	45217-59010*	59	18-AC
04484-35011	75		*41101-60020	53	17-AZ	45218-59010*	59	18-AC
04814-60010	111		41101-60021	53	17-AZ	45272-55010	55	18-K
∕	115		*41110-60010	53		45300-60030	55	
17401-60180	19	5-F	41110-60011	53		45300-60040	55	
17401-60190	19	5-F	*41110-60020	53		45301-25020	59	18-AE
17401-92000	19	5-F	41110-60021	53		45302-60010	59	18-AI
17431-60140	19	5-N	41113-35010*	51	17-AR	45304-60010	57	18-V
17431-92000	19	5-N	41114-35010	49	17-Q	*45321-60010	57	18-Z
17441-60010	19	5-E	*41201-60010	51		45321-60011	57	18-Z
*17510-60020	19	5-J	41201-60011	51		45322-55010	59	18-AC
17510-60021	19	5-J	*41201-60020	51		45322-60010	59	18-AC
17562-60050	21	5-Z	41201-60021	51		45323-55010	59	18-AC
17571-60080	19	5-G	41211-60010*	51	17-AT	45324-55010	59	18-AC
17571-92000	19	5-G	41211-60020*	51	17-AT	45332-60010	57	18-W
17572-92000	19	5-H	41214-30010	53	17-BC	*45338-55010	57	18-AB
17573-60010	21	5-AA	*41221-60010*	51	17-AS	45341-35010	59	18-AJ
17581-92000	19	5-K	41221-60011*	51	17-AS	45350-60020	57	18-Y
27700-40010	107	37-O	*41221-60020*	51	17-AS	45352-55010	57	18-AA
∕	113	38-M	41221-60021*	51	17-AS	45361-55010	55	18-D
∕	117	39-O	*41222-35010	49	17-Y	46101-60010	61	19-U
31238-60020	41	15-R	41311-35010	51	17-AU	46101-60020	61	19-U
31301-60020	41	15-T	41315-30010	49	17-AC	46110-60010	61	
31321-61010	41	15-V	41316-30010	49	17-AQ	46110-60020	61	
31453-30011	41	15-X	41331-55010	49	17-AH	46114-30010	65	19-BC
31479-60010	41	15-S	41341-55010	49	17-AJ	46115-30010	61	19-J
31479-60020	41	15-S	41342-55010	49	17-AF	46116-30010	61	19-R
*31481-60020	41	15-B	41343-55010	49	17-AE	46117-30010	65	19-BB
31481-00021	41	15-B	41344-35010	49	17-AG	46117-30020	65	19-BB
*31481-60030	41	15-B	41345-35010	49	17-AG	46131-60010	61	19-M
31481-60031	41	15-B	41346-35010	49	17-AG	46301-30010	65	19-BD
31484-60010	41	15-O	41351-35010	49	17-AK	46311-30020	61	19-Q
*37101-60030	45	16-L	41352-39020	49	17-AK	46313-30020	61	19-L
37101-60031	45	16-L	41361-35010	49	17-AI	46410-60010	65	19-AU
*37104-60010	45	16-L	41362-39010	49	17-AI	46410-60020	65	19-AU
37104-60011	45	16-L	42100-60050*	47		46458-60010	63	19-AB
*37110-60030	43		42100-60060	47		46501-60010	63	
37110-60031	43		42101-60902	49	17-S	46503-60010	61	19-F
*37140-60010	43		42109-35020	47	17-N	46503-60020	61	19-F
37140-60011	43		*42109-60010	47	17-N	46506-35010	63	19-AL
*37170-60030	45		42110-60030	49	17-S	46511-60020	63	19-AE
37170-60031	45		42122-35010*	49	17-AM	46520-60010	61	
*37180-60010	45		42137-55010	49	17-AL	46520-60020	61	
37180-60011	45		42151-60030	49	17-AN	46520-60030	61	
*37302-60010	43	16-H	42171-60011	49	17-AO	46520-60901	61	
37302-60011	43	16-H	42172-60010	49	17-AO	46520-60902	61	
37305-25010	43	16-J	42181-36010	53	17-AY	46527-35010	61	19-C
37315-60010	43	16-A	*42181-60010	53	17-AY	46531-35020	63	19-AR
37324-30010	53	17-BF	42183-35010	47	17-P	46531-35030	63	19-AR
*37334-60010	43	16-J	*42183-60010	47	17-P	46550-35010	65	19-AS
*37335-60010	43	16-K	45200-60040	55		46550-35020	65	19-AS
37341-30010	53	17-BE	45200-60050	55		46550-35901*	65	19-AR
37343-60010	43	16-E	*45201-60020*	59	18-AS	46550-35902*	65	19-AR
37402-60020	43	16-F	45201-60021	59	18-AS	46551-35010	61	19-G
37402-60030	43	16-F	45205-60030	57	18-O	46555-35010	63	19-AG

MANUFACTURER'S NUMERICAL INDEX

371

PART NUMBER	PAGE	FIGURE NUMBER	PART NUMBER	PAGE	FIGURE NUMBER	PART NUMBER	PAGE	FIGURE NUMBER
46556-35010	65	19-AT	48242-60060	75	22-X	51422-60010	183	59-E
46577-35010	63	19-AM	48243-60060	77	22-AJ	51431-60020	177	58-R
46611-35010	63	19-AJ	48247-60020	75	22-AA	//	183	59-R
46611-35020	63	19-AJ	48306-60010	75	22-Z	51434-60010	177	58-R
46612-35010	63	19-AO	48323-35010	75	22-Q	//	183	59-R
46612-35020	63	19-AO	48344-60040	75	22-K	51453-60010	181	58-BE
47101-60020	41	15-U	48354-60040	75	22-K	//	187	59-BD
47101-60030	41	15-U	48409-35010	75	22-T	51454-60010	181	58-BE
47264-35010	41	15-I	48414-35010	75	22-S	//	187	59-BD
47311-60020	67	20-K	48415-35010	75	22-S	51495-60010	181	58-BF
47311-60030	71	21-P	48416-35010	75	22-P	//	187	59-BF
47312-60010	67	20-I	48444-35010	75	22-N	*51707-60010	197	61-AC
//	71	21-I	48531-60050	75	22-E	51707-60011	197	61-AC
47312-60020	71	21-Z	48532-30010	75	22-G	*51708-60010	197	61-AC
47313-60020	67	20-X	48533-35010	77	22-AF	51708-60011	197	61-AC
//	71	21-AB	48802-60010	47	17-E	51711-60020	181	58-BG
47314-60020	67	20-Y	48812-60010	47	17-C	//	187	59-BE
47314-60030	71	21-L	48815-60010	49	17-W	51712-60010	181	58-BG
47316-60040	67	20-N	48819-30010	47	17-B	//	187	59-BE
//	71	21-Q	48823-60010	49	17-X	51741-92000	181	58-BJ
47318-60030	67	20-R	48824-60010	49	17-U	//	187	59-BI
//	71	21-U	48827-30010	47	17-A	51742-92000	181	58-BJ
47319-60030	67	20-U	51001-60010	177		//	187	59-BI
//	71	21-X	//	183		51743-60010	177	58-W
47331-60010	67	20-C	51001-60020	177		//	189	59-BM
//	71	21-C	//	183		51743-92002	179	58-U
47332-60010	67	20-A	51111-60010	177	58-S	//	185	59-U
//	71	21-A	//	185	59-S	*51780-60010	197	
47333-35010	67	20-P	51121-60010	177	58-S	51780-60011	197	
//	71	21-T	//	185	59-S	*51786-60010	195	61-W
47351-60020	67	20-G	51131-60010	177	58-D	51786-60011	195	61-W
//	71	21-G	//	183	59-D	*51787-60010	195	61-W
47352-60020	67	20-G	51132-60010	177	58-D	51787-60011	195	61-W
//	71	21-G	//	183	59-D	*51790-60010	197	
47353-60010	67	20-O	51201-60010	179	58-V	51790-60011	197	
//	71	21-R	//	185	59-AU	*51793-60010	195	61-X
47361-60020	67	20-D	51201-60020	179	58-V	51793-60011	195	61-X
//	71	21-D	//	185	59-AU	*51794-60010	195	61-X
47361-60040	71	21-O	51203-60020	179	58-X	51794-60011	195	61-X
47362-60020	67	20-J	//	187	59-BK	51900-60060	227	
//	71	21-J	51221-60030	179	58-V	51900-60070	227	
48042-35010	75	22-R	//	185	59-V	51901-92000	311	90-T
48046-60020	77	22-AC	*51241-60010	179	58-Y	//	317	91-AI
48047-60020	77	22-AC	* //	185	59-W	51902-92300	255	77-M
48146-60010	77	22-AI	51281-60030	179	58-AA	51903-60060	227	68-G
48202-60060	77	22-AG	//	185	59-X	51903-60070	227	68-G
48203-60060	77	22-AG	51282-60020	179	58-AA	51904-60010	227	68-J
48210-60060	77	22-AG	//	185	59-X	51906-60010	227	68-Z
48211-60060	77	22-AG	51291-60020	179	58-Z	51907-60010	227	68-P
48212-60060	77	22-AG	//	185	59-AE	51907-60030	227	68-V
48213-60060	77	22-AG	51405-60010	181	58-BD	51907-60040	227	68-Z
48215-60060	77	22-AG	//	187	59-BC	51910-92000	255	77-O
48216-60060	77	22-AG	51408-60010	181	58-BC	51910-92010	333	
48218-60060	77	22-AG	//	185	59-BB	//	333	
48219-60060	77	22-AG	51421-60010	177	58-E	51911-92010	333	94-P
48220-60030	77	22-AG	//	183	59-E	51913-92010	335	94-O
48241-60060	75	22-V	51422-60010	177	58-E	51921-92010	333	94-M

MANUFACTURER'S NUMERICAL INDEX

PART NUMBER	PAGE	FIGURE NUMBER	PART NUMBER	PAGE	FIGURE NUMBER	PART NUMBER	PAGE	FIGURE NUMBER
51923-92000	255	77-N	53167-60010	199	62-H	55100-92172*	249	74-A
"	333	94-N	53206-60010	149	47-AN	55101-92000	199	62-W
51955-60010	227	68-R	53301-60010	189	60-T	55101-92060	199	62-W
51955-60020	227	68-R	*53301-60020	189	60-T	55101-92100	199	62-W
51961-60010	179	58-AR	53301-60040	189	60-T	55101-92160	199	62-W
"	185	59-AQ	*53301-60050	189	60-T	55101-92170	199	62-W
52032-30010	197	61-AF	53301-92000	189	60-T	*55107-60010*	63	19-V
52033-30010	181	58-BI	53303-60010	191	60-Y	55107-60011	63	19-V
"	187	59-BH	53304-60010	191	60-Y	*55107-92000	63	19-V
"	213	66-I	53304-60020	193	60-AZ	55107-92001	63	19-V
52106-92050	185	59-AD	53334-60010	193	60-BA	*55107-92170	63	19-V
52107-92000	179	58-AK	53359-60010	193	60-AU	55107-92171	63	19-V
52111-60030	179	58-AL	53382-20010	227	68-D	55121-60010	57	18-N
"	185	59-AL	*53401-60010*	189	60-Q	55121-92170	57	18-N
52116-60010	177	58-A	53403-60010	189	60-M	55122-60010	57	18-M
"	183	59-A	53410-60010	189	60-Q	55122-60020	57	18-M
52141-60010	177	58-B	53412-60010	189	60-S	55122-92170	57	18-M
"	183	59-B	53431-60010	189	60-K	55123-92170	57	18-N
52142-60010	177	58-B	53432-60010*	189	60-I	55210-92000	311	90-D
"	183	59-B	53433-60010*	189	60-D	*55210-92100	311	90-D
52151-92050	185	59-AJ	53506-60010	189	60-O	*	317	91-AD
52152-92000	179	58-AI	53701-60010*	191	60-AT	55210-92101	311	90-D
"	185	59-AK	53702-60010*	191	60-AT	*55210-92101	317	91-AD
52152-92002	179	58-AJ	53711-60050*	191	60-AT	55210-92170	317	91-AD
52152-92050	185	59-AJ	53712-60010*	191	60-AT	55301-60010	203	63-W
52153-92001	179	58-AH	53810-60010	191	60-Z	55301-60020	203	63-W
52153-92050	185	59-AB	53810-60040	191	60-Z	55301-60040	203	63-W
52213-90310	195	61-Y	53810-92000	191	60-Z	55301-60050	203	63-W
52214-92000	179	58-AG	53810-92100	191	60-Z	*55301-60070	203	63-W
52215-92000	179	58-T	53820-60010	191	60-Z	55301-60090	203	63-W
"	185	59-T	53820-60020	191	60-Z	55301-60100	203	63-W
52216-92000	179	58-AG	53820-92000	191	60-Z	*55301-92000	203	63-W
52241-60010	219	66-BO	53820-92100	191	60-Z	55301-92001	203	63-W
52321-55010	179	58-Q	53820-92170	191	60-Z	*55301-92060	203	63-W
"	185	59-Q	*53835-92000	251	75-A	55301-92061	203	63-W
"	195	61-P	*	253	76-L	*55301-92100	203	63-W
"	199	62-R	*53836-92000	251	75-E	55301-92101	203	63-W
52411-92000	27	10-P	*	253	76-P	*55301-92160	203	63-W
52412-92000	27	10-P	53851-60010	191	60-AS	55301-92161	203	63-W
52413-92000	29	10-Z	53852-60010	191	60-AS	55301-92171	203	63-W
*52414-92000	29	10-AD	53871-92000	199	62-V	55301-92172	203	63-W
52414-92001	29	10-AD	53872-92000	199	62-V	*55303-92000	263	78-AM
53011-60010	191	60-AN	53873-92000	199	62-V	55303-92010	263	78-AM
53106-60010	191	60-AA	53874-92000	199	62-V	55303-92171	263	78-AM
53107-60010	191	60-AJ	*53881-92000	193	60-AY	55351-60010	201	63-L
53108-60010	195	61-N	53882-92000	193	60-AX	55405-20020	147	47-A
"	199	62-M	53883-92000	193	60-AY	55501-60010	201	63-U
53111-60010	191	60-AC	53884-92000	193	60-AY	55501-60030	201	63-U
53112-60010	191	60-AF	*55100-92000*	249	74-A	55521-60010	201	63-A
53149-60010	191	60-AB	*55100-92001*	249	74-A	55531-35010*	201	63-V
53152-60010	191	60-AG	55100-92002*	249	74-A	55544-55010	201	63-F
53154-60010	191	60-AK	55100-92010*	249	74-A	55549-60010	201	63-E
53163-60010	195	61-G	55100-92020*	249	74-A	55661-60010	203	63-AC
"	199	62-G	*55100-92100*	249	74-A	55661-92171	203	63-AC
53164-60010	195	61-M	55100-92102*	249	74-A	55662-60010	203	63-AA
"	199	62-L	55100-92110*	249	74-A	55662-92171	203	63-AA
53167-60010	195	61-H	55100-92120*	249	74-A	55672-60010	203	63-AD

MANUFACTURER'S NUMERICAL INDEX

373

PART NUMBER	PAGE	FIGURE NUMBER	PART NUMBER	PAGE	FIGURE NUMBER	PART NUMBER	PAGE	FIGURE NUMBER
55672-60020	203	63-AD	56103-92003*	259	78-D	56301-60011	209	65-G
55672-92170	203	63-AD	56103-92004	259	78-D	*56301-60020	205	64-L
55701-60030	195	61-J	*56103-92101	261	78-D	* //	209	65-G
55701-60060	195	61-J	*56103-92102	261	78-D	*56301-60050	209	65-G
55701-60070	195	61-J	*56103-92103*	261	78-D	56306-60010	207	64-X
55701-92000	259	78-A	56103-92104	261	78-D	//	211	65-U
55701-92100	259	78-A	*56103-92171	261	78-D	56307-60010	207	64-X
55701-92170	259	78-A	*56103-92172	261	78-D	//	211	65-U
*55701-92170-1	259	78-A	56103-92173	261	78-D	*56450-60010	207	64-AD
*55702-92000	263	78-AA	56103-92174	261	78-D	* //	211	65-W
55702-92170	263	78-AA	*56111-60011	205	64-I	56450-90327	207	64-AD
*55702-92170-1	263	78-AA	* //	209	65-C	//	211	65-W
55703-92000	263	78-AA	56111-60012	205	64-I	56456-60010	205	64-R
55712-92170	253	76-I	//	209	65-C	//	211	65-V
*55755-92170	253	76-A	*56111-92000*	265	79-I	*56456-60020	205	64-R
55759-60010	253	76-A	*56111-92001	265	79-I	* //	211	65-V
55801-92170	253	76-AB	56111-92002	265	79-I	57401-92000	255	77-A
*55801-95210	251	75-H	*56111-92170	269	80-A	//	333	94-A
*55802-95210	251	75-U	*56111-92171	269	80-A	57402-92000	255	77-A
*55803-92000	251	75-B	56111-92172	269	80-A	//	333	94-A
*55803-92000	253	76-M	*56121-60010	205	64-K	57421-92000	313	90-AK
55803-92170	253	76-D	//	209	65-E	//	317	91-AL
55810-92170*	253		56121-60011	205	64-K	57422-92000	313	90-AK
55814-92170	253	76-AA	//	209	65-E	//	317	91-AL
55819-92170	253	76-C	*56121-92000	265	79-J	57423-92000	313	90-AM
55820-92170	253	76-AE	* //	269	80-B	//	317	91-AN
*55822-95210	251	75-O	56121-92001	265	79-J	57455-59010	213	66-O
*55824-95210	251	75-N	//	269	80-B	58003-60010	213	
*55825-92000	251	75-S	*56121-95002*	265	79-J	*58003-60020	213	
*55835-92000	251	75-R	* //	269	80-B	*58004-60030	213	
55841-92170	253	76-G	*56122-60010	205	64-J	58004-60031	213	
55842-92170	253	76-H	* //	209	65-D	*58004-60080	213	
55843-92170	253	76-B	56122-60011	205	64-J	58004-60081	213	
55845-92170	253	76-AF	//	209	65-D	58004-60260	213	
55851-95210	251	75-V	56134-92001	259	78-C	*58004-90330	213	
55852-95210	251	75-V	56134-92101	259	78-C	58031-60010	219	66-BJ
55853-95210	251	75-W	56135-92001	259	78-C	58200-92001*	249	74-D
55855-95210	251	75-X	56135-92101	259	78-C	*58200-92010*	249	74-D
*55861-95210	251	75-I	*56141-92000*	259	78-B	58200-92011*	249	74-D
55881-95210	251	75-J	56141-92001	259	78-B	58200-92020	333	94-B
55901-92000	41	15-J	*56142-92000*	259	78-B	58200-92100*	249	74-D
55901-92170	41	15-J	56142-92001*	259	78-B	//	255	77-B
*55905-92000	261	78-E	*56144-92000	261	78-G	*58200-92110*	249	74-D
55905-92002	261	78-E	56144-92001	261	78-G	58200-92111*	249	74-D
*55905-92101	261	78-E	*56144-92170	261	78-G	58200-92120	333	94-B
55905-92102	261	78-E	*56145-92000	261	78-F	*58200-92170*	249	74-D
55905-92170	261	78-E	56145-92001	261	78-F	58200-92171*	249	74-D
*55906-92000	261	78-E	*56146-92000	261	78-F	58201-60010*	219	66-BI
55906-92002	261	78-E	56146-92001	261	78-F	58202-60010*	219	66-BI
*55906-92101	261	78-E	*56211-60020	207	64-W	58206-60070	217	66-AW
55906-92102	261	78-E	* //	211	65-AA	//	255	77-U
55906-92170	261	78-E	*56211-60021	207	64-W	58206-60080	217	66-AW
*55955-60010	209	65-P	* //	211	65-AA	58206-60090	217	66-AW
55955-60011	207	64-AC	*56211-60030	211	65-AA	//	257	77-U
//	209	65-P	56214-90301	207	64-Z	//	333	94-V
*56103-92001	259	78-D	//	211	65-AB	58206-60100	217	66-AW
*56103-92002	259	78-D	56301-60011	205	64-L	58206-60110	217	66-AW

MANUFACTURER'S NUMERICAL INDEX

PART NUMBER	PAGE	FIGURE NUMBER	PART NUMBER	PAGE	FIGURE NUMBER	PART NUMBER	PAGE	FIGURE NUMBER
58206-60110	255	77-U	58333-92000	263	78-AU	*59211-91101	129	43-AA
//	333	94-V	58355-92000	255	77-T	*59212-91101	131	43-AC
58206-60120	217	66-AW	//	333	94-U	*59213-91101	131	43-AD
//	257	77-U	58363-60010	215	66-V	*59214-91101	129	43-W
//	333	94-V	58375-92000	301	87-AQ	*59215-91101	129	43-E
58206-92170	255	77-U	58376-92000	257	77-AR	*59216-91101	129	43-C
//	333	94-V	//	335	94-AS	*59217-91101	129	43-A
58208-60011	217	66-BA	58379-92000	257	77-AO	*59218-91101	131	43-AJ
//	257	77-Y	//	335	94-AP	*59219-91101	131	43-AI
//	335	94-Z	58510-60050	337	95-A	*59221-91101	131	43-AH
58209-60010	217	66-BD	58510-60060	337	95-A	*59222-91101	129	43-Q
*58210-92001	255	77-B	*58510-92001	313	90-AC	*59223-91101	129	43-H
*58210-92010	255	77-B	58510-92010	313	90-AC	*59224-91101	129	43-I
58210-92011	255	77-B	*58510-92061	313	90-AC	*59225-91101	129	43-P
*58210-92110	255	77-B	*58510-92062	313	90-AC	*59226-91101	129	43-O
58210-92111	255	77-B	*58510-92063	313	90-AC	*59227-91101	129	43-N
*58210-92170	255	77-B	58510-92071	313	90-AC	*59228-91101	129	43-M
58210-92171	255	77-B	58510-92072	313	90-AC	61018-60010	213	66-C
58214-92000*	257	77-AF	58510-92073	313	90-AC	61019-60010	213	66-C
//	335	94-AG	58510-92100	313	90-AC	61103-92000	263	78-AC
58217-92001	255	77-G	58510-92101	313	90-AC	61104-92000	263	78-AC
//	333	94-G	*58510-92161	313	90-AC	61121-92000	263	78-AB
58263-60010	217	66-BG	*58510-92162	313	90-AC	61121-92170	263	78-AB
//	257	77-V	*58510-92163	313	90-AC	61122-92000	263	78-AB
//	335	94-W	58510-92164	313	90-AC	61190-60011	213	66-H
58264-60010	217	66-BG	58510-92165	313	90-AC	61191-60010	213	66-N
//	257	77-V	58510-92166	313	90-AC	61201-92000	263	78-H
//	335	94-W	*58510-92170	315	91-AC	61201-92170	263	78-H
58265-60020	217	66-BG	58510-92171	315	91-AC	61202-92000	263	78-H
//	257	77-V	58520-60030	337	95-T	61202-92170	263	78-H
//	335	94-W	58520-60040	337	95-T	61215-92000	263	78-L
58273-60010	217	66-AZ	*58521-92000	313	90-AB	61215-92170	263	78-L
//	257	77-X	58521-92100	313	90-AB	61216-92000	263	78-L
//	335	94-Y	*58522-92000	313	90-AD	61216-92170	263	78-L
58279-60010	219	66-BH	58522-92100	313	90-AD	61217-92000	263	78-N
//	257	77-AB	58530-60010	337	95-S	61218-92000	263	78-O
//	335	94-AC	58530-60020	337	95-S	61219-92000	263	78-O
58280-60020	217	66-AY	58530-60030	337	95-S	61231-92000*	263	78-M
//	257	77-W	58530-60040	337	95-S	61231-92170*	263	78-M
//	335	94-X	58550-60030	337	95-U	61232-92000*	263	78-M
58301-92000	257	77-AS	58550-92001	313	90-AH	61232-92170	263	78-M
*58301-92001	257	77-AS	58550-92011	313	90-AH	61251-92000	263	78-I
58301-92020	335	94-AT	*58550-92170	317	91-AG	61251-92170	263	78-I
58301-92120	335	94-AT	58550-92171	317	91-AG	61252-92000	263	78-I
58301-92170	257	77-AS	58560-60010	337	95-V	61252-92170	263	78-I
*58302-92001	255	77-H	58561-92001	313	90-AG	61255-92000	263	78-J
58302-92002	255	77-H	58570-60010	337	95-V	61255-92170	263	78-J
58302-92011	333	94-H	58731-92000	255	77-J	61256-92000	263	78-J
*58302-92050	255	77-H	//	333	94-J	61256-92170	263	78-J
58302-92051	255	77-H	58732-92000	255	77-I	61257-92000	263	78-Y
58315-92000	257	77-AJ	//	333	94-I	61258-92000	263	78-Y
//	335	94-AK	58761-95110	257	77-AI	61301-92000	263	78-AD
58316-92000	257	77-AJ	//	335	94-AJ	61301-92170	263	78-AD
//	335	94-AK	*59202-91101	129	43-D	61302-92000	263	78-AD
58317-60010	215	66-T	*59203-91101	129	43-L	61302-92170	263	78-AD
58331-92000	263	78-AT	*59204-91101	129	43-G	61310-60010	219	66-BM
58332-92000	263	78-AT	*59205-91101	129	43-J	61320-60010	219	66-BM

MANUFACTURER'S NUMERICAL INDEX

PART NUMBER	PAGE	FIGURE NUMBER	PART NUMBER	PAGE	FIGURE NUMBER	PART NUMBER	PAGE	FIGURE NUMBER
*61400-92000	249	74-E	*61507-92000	263	78-AK	*62518-92000	263	78-AI
*61400-92001	249	74-E	61507-92001	263	78 AK	*62518-92001	263	78-AI
61400-92100	249	74-E	61508-92000	263	78 AK	62518-92002	263	78-AI
61400-92152	249	74-E	61509-92000	263	78 AK	62581-10010	243	72-BD
61401-92000	263	78-AF	*61510-92000	263	78-AN	62641-60010	215	66-Z
61402-92000	263	78-AF	61510-92100	263	78-AN	62641-60020	215	66-Z
61403-92000	263	78-X	61510-92170	263	78-AN	*62711-60011	221	67-W
*61403-92050	263	78-X	*61520-92001	263	78-AN	62711-60012	221	67-W
61403-92051	263	78-X	61520-92100	263	78-AN	*62711-92000	267	79-AA
61404-92000	263	78-X	61520-92170	263	78-AN	62711-92001	267	79-AA
*61404-92050	263	78-X	61525-92000	261	78-W	//	269	80-J
61404-92051	263	78-X	61526-92000	261	78-W	*62711-92170	269	80-J
*61405-92000	249	74-F	61533-92000	263	78-AO	62712-60010	225	67-AR
*61405-92050	249	74-F	*61534-60010	223	67-AC	62713-60010	225	67-AR
*61406-92000	249	74-F	61534-60011	223	67-AC	62717-92001	271	81-O
*61406-92050	249	74-F	61534-92000	263	78-AO	62718-92001	271	81-O
61407-92000	263	78-AE	61549-90316	237	71-AU	*62741-60010	221	67-U
61408-92000	263	78-AE	*61571-60010	229	69-V	62741-60020	221	67-U
61410-92000	249	74-B	*61572-60010	231	69-AR	//	233	70-F
61410-92001*	249	74-B	61595-92000	263	78-V	//	267	79-Z
61410-92052*	249	74-B	*61601-60020	219	66-BP	62741-92000	269	80-I
61420-92000	249	74-B	61601-60021	219	66-BP	*62742-60010	221	67-V
61420-92001*	249	74-B	*61601-60050	219	66-BP	62742-60020	225	67-AT
61420-92052*	249	74-B	61601-60051	219	66-BP	62742-92000	267	79-Y
61451-92001	249	74-F	61601-60060	219	66-BP	//	269	80-H
*61451-92051	249	74-F	*61601-90330	219	66-BP	*62743-60010	223	67-AE
61451-92052	249	74-F	*61602-60020	219	66-BP	62743-60020	221	67-V
61452-92001	249	74-F	61602-60021	219	66-BP	//	233	70-G
*61452-92051	249	74-F	*61602-60050	219	66-BP	*62744-60010	229	69-W
61452-92052	249	74-F	61602-60051	219	66-BP	62744-60020	225	67-AU
61456-92001	249	74-G	61602-60060	219	66-BP	62747-60010	225	67-AS
61457-92000	263	78-P	*61602-90330	219	66-BP	62748-60010	225	67-AS
61458-92000	263	78-P	61802-92006	249	74-Q	62749-60010	223	67-AE
61461-92000	263	78-Z	61815-92000	249	74-W	*62781-92000	265	79-T
61462-92000	263	78-Z	61823-92000	249	74-I	*62782-92000	265	79-T
*61500-92000	249	74-E	61824-92000	249	74-N	*62783-92000	267	79-U
*61500-92001	249	74-E	61825-92000	249	74-O	*62784-92000	267	79-U
61500-92100	249	74-E	61827-92000	249	74-H	*62785-92000	267	79-U
61500-92152	249	74-E	61828-92000	249	74-J	*63100-60010	223	67-X
*61501-60010	223	67-AF	62371-10010	311	90-E	63100-60011	223	67-X
61501-60011	223	67-AF	//	311	90-I	*63100-90330	223	67-X
*61501-92000	263	78-K	//	317	91-AE	*63101-92000	249	74-C
61501-92100	263	78-K	//	317	91-AF	63101-92001	249	74-C
61501-92170	263	78-K	62372-30010	311	90-E	63103-90301	119	40-L
*61502-60010	223	67-AF	//	311	90-I	63103-92000	311	90-R
61502-60011	223	67-AF	//	317	91-AE	63103-92170	315	91-L
*61502-92000	263	78-K	//	317	91-AF	63104-92170	315	91-J
61502-92100	263	78-K	62373-30010	311	90-E	63106-60010	223	67-AJ
61502-92170	263	78-K	//	311	90-I	63107-60010	221	67-P
*61505-92000	263	78-AP	//	317	91-AE	*63159-60010	221	67-Q
*61505-92051	263	78-AP	//	317	91-AF	*63161-60010	221	67-M
61505-92150	263	78-AP	62511-92000	263	78-V	63161-60011	221	67-M
61505-92170	263	78-AP	62512-92001	263	78-V	63165-60010	225	67-AM
*61506-92000	263	78-AP	62513-92000	263	78-AJ	63166-60010	225	67-AM
*61506-92051	263	78-AP	62515-92000	263	78-W	63167-60010	225	67-AN
61506-92150	263	78-AP	62516-92000	263	78-W	63168-60010	221	67-T
61506-92170	263	78-AP	62517-92000	263	78-AL	*63175-60010	221	67-O

MANUFACTURER'S NUMERICAL INDEX

PART NUMBER	PAGE	FIGURE NUMBER	PART NUMBER	PAGE	FIGURE NUMBER	PART NUMBER	PAGE	FIGURE NUMBER
*63182-60010	221	67-N	65452-91101	309	89-AQ	65815-60020	221	67-F
*63183-60010	221	67-T	65453-91301	295	85-Z	65816-60020	221	67-F
63301-92170	315	91-I	//	309	89-BA	65818-60010	225	67-AO
*63341-92000	311	90-F	65453-91306	285	83-AC	65819-60010	225	67-AO
63341-92001	311	90-F	65454-91201	285	83-AC	65839-60010	225	67-AQ
63341-92170	315	91-D	//	309	89-BC	65928-91306	249	74-X
63342-92000	311	90-G	65455-91201	285	83-AC	*66241-92000	257	77-AN
63342-92170	315	91-E	//	309	89-BC	66241-92310	257	77-AN
63343-92000	311	90-S	65455-91301	309	89-BC	//	335	94-AO
63343-92170	315	91-U	65455-91306	285	83-AB	*66242-92000	257	77-AL
63361-92170	315	91-H	//	295	85-X	66242-92300	257	77-AL
63362-92170	315	91-K	65456-91306	285	83-AB	//	335	94-AM
63363-92170	315	91-T	//	295	85-AC	66243-92000	257	77-AM
*63418-95000	251	75-C	65460-91301	307	89-V	//	335	94-AN
* //	253	76-N	65471-91301	283	83-O	66601-92050	307	89-L
64100-92050	263	78-T	65472-91301	283	83-O	*67001-60020	241	72-V
64104-92000	263	78-T	//	293	85-K	67001-60021	241	72-V
64143-92000	263	78-R	65473-91301	283	83-N	*67001-60030	241	72-V
64144-92000	263	78-S	65475-91301	285	83-R	67001-60031	241	72-V
64191-95211	91	30-E	//	295	85-O	67001-60060	241	72-V
64836-90332	223	67-AH	65477-91301	283	83-M	*67002-60020	241	72-AC
*64905-60010	215	66-AL	//	293	85-J	67002-60021	241	72-AC
64905-60020	215	66-AL	//	307	89-O	*67002-60030	241	72-AC
64905-60030	215	66-AL	65478-91301	283	83-H	67002-60031	241	72-AC
*64905-60040	215	66-AL	//	293	85-F	67002-60060	241	72-AC
*64906-60010	215	66-AL	//	307	89-U	*67005-60010	229	69-J
64906-60030	215	66-AL	65499-91301	285	83-S	67005-60011	233	70-K
64906-60040	215	66-AL	//	295	85-P	*67006-60010	231	69-AE
*64906-60050	215	66-AL	65501-91103	307	89-L	*67010-92050	305	88-Q
64911-91107	299	87-Q	65505-91301	307	89-B	*67010-92150	305	88-Q
64912-91107	299	87-R	*65521-91101	287	83-AQ	*67010-92151*	305	88-Q
64921-60010	219	66-BS	* //	295	85-AT	67010-92153	305	88-Q
64921-90310	219	66-BU	* //	307	89-A	*67014-92000*	291	84-P
64925-60020	217	66-AT	*65522-91101	287	83-AR	*67014-92001*	291	84-P
64961-60010	217	66-AV	* //	295	85-AU	67014-92002*	291	84-P
64962-60010	215	66-AJ	* //	307	89-C	*67014-92170*	291	84-P
64963-60010	215	66-AB	*65523-91301*	273	81-L	*67014-92171*	291	84-P
64964-60010	215	66-AH	* // *	279	82-L	67014-92172*	291	84-P
64965-60010	215	66-AH	* // *	291	84-J	*67015-92000*	291	84-P
65328-91101	299	87-V	65533-91103	307	89-K	*67015-92001*	291	84-P
65329-91101	301	87-AS	65581-91301	287	83-BH	67015-92002*	291	84-P
65401-91301	285	83-AA	//	309	89-BG	*67015-92170*	291	84-P
//	295	85-Y	65582-91301	285	83-X	*67015-92171*	291	84-P
//	309	89-BB	//	295	85-U	67015-92172*	291	84-P
65402-91301	285	83-AA	//	309	87-BF	*67020-92050	305	88-G
//	295	85-AD	*65601-91101	287	83-AY	*67020-92051	305	88-G
65405-91301	283	83-I	* //	295	85-AY	*67020-92150	305	88-G
65406-91301	283	83-G	*65602-91301	295	85-AS	*67020-92151*	305	88-G
//	293	85-E	65602-91302	283	83-F	67020-92152	305	88-G
65407-91301	283	83-G	65603-91311*	287	83-BA	*67041-60010	241	72-T
//	293	85-E	//	295	85-AR	67041-60011	241	72-T
65410-91301	285	83-U	65604-91311*	287	83-BA	*67042-60010	241	72-T
//	295	85-R	//	295	85-AR	67042-60011	241	72-T
//	301	87-AF	*65801-60020	223	67-AB	*67100-92000	271	
//	309	89-BE	65801-60021	223	67-AB	*67100-92001*	271	
65420-91301	295	85-AB	*65802-60020	223	67-AB	67100-92002	271	
//	301	87-AF	65802-60021	223	67-AB	*67100-92170	277	

MANUFACTURER'S NUMERICAL INDEX

PART NUMBER	PAGE	FIGURE NUMBER	PART NUMBER	PAGE	FIGURE NUMBER	PART NUMBER	PAGE	FIGURE NUMBER
67100-92171	277		*67201-60010	229	69-H	67410-92002	275	
67100-92172	277		*67202-60010	229	69-K	//	281	
67104-92000	271	81-A	67211-92000	275	81-AK	*67420-92000	275	
67104-92001	271	81-A	//	281	82-AN	*67420-92001	281	
67104-92002*	271	81-A	67212-92001	275	81-AJ	67420-92002	275	
67104-92170	277	82-A	//	281	82-AM	//	281	
67104-92171	277	82-A	67213-92000	275	81-AE	*67421-92000	275	81-AD
67104-92172	277	82-A	//	281	82-AH	*67422-92000	275	81-AD
67105-92000	271	81-A	*67215-92001*	271	81-B	67451-60020	245	73-I
67105-92001	271	81-A	* // *	277	82-B	67451-92000	273	81-J
67105-92002	271	81-A	67215-92002	271	81-B	//	279	82-J
67105-92170	277	82-A	//	277	82-B	67471-92001	275	81-AD
67105-92171	277	82-A	*67216-92001*	271	81-B	// *	281	82-AG
67105-92172*	277	82-A	* // *	277	82-B	67471-92002	275	81-AD
*67109-60010	231	69-AN	67216-92002	271	81-B	//	281	82-AG
67109-92000	275	81-AM	//	277	82-B	*67500-60010	229	
//	281	82-AP	*67217-92001*	273	81-O	*67501-60010	239	72-N
*67110-92000	271		* // *	279	82-O	67501-60011	239	72-N
*67110-92001	271		//	291	34-D	*67501-92000	275	81-W
67110-92002	271		67217-92002	273	81-O	*67501-92001	279	82-Z
*67110-92170	277		//	279	82-O	67501-92002	275	81-W
67110-92171	277		*67218-92001*	273	81-O	//	279	82-Z
67110-92172	277		* // *	279	82-O	*67502-60010	239	72-N
67111-92000*	275	81-AU	//	291	84-D	67502-60011	239	72-N
// *	275	81-AU	67218-92002	273	81-O	*67502-92000	275	81-W
67112-92000*	281	82-AV	//	279	82-O	*67502-92001	279	82-Z
// *	281	82-AV	67219-92000	275	81-AL	67502-92002	275	81-W
*67120-92000	271		//	281	82-AO	//	279	82-Z
*67120-92001	271		//	289	84-O	*67511-60010	243	72-BA
67120-92002	271		67231-92000	291	84-F	*67516-60010	239	72-R
*67120-92170	277		67232-92000	291	84-G	*67517-60010	239	72-O
67120-92171	277		67233-92000	291	84-I	67517-95400	275	81-BA
67120-92172	277		*67300-92000	289		//	279	82-AA
67121-92000*	291	84-V	*67300-92001*	289		*67518-60010	239	72-O
67122-92000*	291	84-V	67300-92002	289		67519-60010	243	72-AY
67129-60010	233	70-H	*67300-92170	289		67541-60021	243	72-AK
*67130-92000	289		*67300-92171*	289		*67541-92000	275	81-AA
67130-92001	289		67300-92172	289		* //	281	82-AD
67130-92002	289		*67400-92000	289		67541-92001	275	81-AA
*67130-92170	289		*67400-92001*	289		//	281	82-AD
67130-92171	289		67400-92002	289		*67542-92000	275	81-AA
67130-92172	289		*67400-92170	289		* //	281	82-AD
*67140-92000	289		*67400-92171*	289		67542-92001	275	81-AA
67140-92001	289		67400-92172	289		//	281	82-AD
67140-92002	289		*67401-92000*	275	81-AH	*67546-92000	273	81-Q
*67140-92170	289		*67401-92001*	281	82-AK	*67547-92000	273	81-Q
67140-92171	289		67401-92002*	275	81-AH	*67549-92000	273	81-T
67140-92172	289		// *	281	82-AK	*67551-92000	273	81-R
67149-92000	287	83-BG	*67402-92000*	275	81-AH	*67552-92000	273	81-S
//	295	85-BD	*67402-92001*	281	82-AK	67553-92000	273	81-F
67181-60010	231	69-AK	67402-92002	275	81-AH	//	279	82-F
*67200-92000	271		// *	281	82-AK	*67553-92001	279	82-AA
67200-92001	271		67403-92001	291	84-M	67554-92000	273	81-G
67200-92002	271		*67404-60010	245	73-Y	//	279	82-G
*67200-92170	277		67404-90332	245	73-Y	67555-92000	273	81-H
67200-92171	277		*67410-92000	275		//	279	82-H
67200-92172	277		*67410-92001	281		67556-60010	241	72-AD

MANUFACTURER'S NUMERICAL INDEX

PART NUMBER	PAGE	FIGURE NUMBER	PART NUMBER	PAGE	FIGURE NUMBER	PART NUMBER	PAGE	FIGURE NUMBER
67559-60010	243	72-AR	67882-92000	313	90-AE	*68142-92000	275	81-AG
*67560-60010	239	72-M	//	315	91-F	* //	281	82-AJ
67561-95400	243	72-AL	67900-92100	297		68142-92001	275	81-AG
//	273	81-Q	67901-92100*	297	86-O	//	281	82-AJ
//	279	82-S	67902-92000*	297	86-N	68151-92000	291	84-E
67562-95400	243	72-AL	*67906-92000*	297	86-B	68161-60010	239	72-E
//	273	81-Q	67906-92170*	297	86-B	*68161-60030	239	72-P
//	279	82-S	*67910-92050*	305		*68162-60010	239	72-P
67563-95400	241	72-AJ	67910-92100	297		68170-60010	239	72-J
//	273	81-R	*67910-92150*	305		68171-92000	287	83-BB
//	279	82-R	*67910-92151*	305		//	295	85-AQ
67564-95400	241	72-AH	67910-92152*	305		68172-92000	275	81-AS
//	273	81-T	67911-91105	297	86-G	//	281	82-AT
//	279	82-Q	*67920-92050*	305		//	291	84-R
*67565-60010	239	72-D	*67920-92051*	305		//	323	92-AL
*67566-60010	239	72-C	*67920-92150*	305		*68172-92000	329	93-AQ
67566-60020	243	72-AW	67920-92151*	305		68175-60020	239	72-R
*67567-60010	243	72-AZ	67923-92000	297	86-L	68176-60020	239	72-R
67569-60020	243	72-AO	*67924-92000*	297	86-C	68181-60010	239	72-O
*67570-60010	221	67-R	67925-92000	297	86-M	68181-92000	275	81-X
* //	239	72-M	*67941-92000*	297	86-F	//	281	82-AB
67600-92000	297		67941-92001	297	86-F	68182-60010	239	72-O
67600-92170*	297		67941-92050	305	88-J	68182-92000	275	81-X
67610-60010	243	72-BC	*67941-92100	305	88-J	//	281	82-AB
67610-92170	281	82-AS	*67941-92170*	297	86-F	68183-92000	273	81-V
67611-92000	275	81-AP	67942-92000	297	86-E	//	279	82-Y
67612-92000	275	81-AP	*67950-92000	297		68191-30010	245	73-Z
67620-60010	243	72-BC	67950-92170	297		68211-60011	239	72-I
67620-92170	281	82-AS	67951-92000*	297	86-D	68212-60010	241	72-U
67621-92000	291	84-S	*67955-92050	307	89-H	68213-60010	239	72-Q
67622-92000	291	84-S	67955-92051	307	89-H	68221-60020	239	72-G
67630-92170	291	84-S	68095-60010	217	66-AU	*68291-60010	229	69-G
67640-92170	291	84-S	68096-60010	217	66-AU	*68292-60010	229	69-I
67761-60010	243	72-BB	*68108-60010	241	72-AB	69305-20010	309	89-AZ
67762-60010	243	72-BB	68108-60020	241	72-AB	69309-20010	309	89-AU
67763-60010	243	72-BE	*68109-60010	241	72-AB	68311-92000	299	87-A
67811-60010	241	72-X	68109-60020	241	72-AB	68321-92000	299	87-P
*67849-95100	273	81-K	*68111-60011	239	72-H	68371-92900	305	88-H
* //	279	82-K	68111-60012	239	72-H	68372-92900	305	88-I
67860-92170	311	90-E	*68111-92000*	275	81-AI	68402-92050	309	89-BH
//	317	90-AE	68111-92001	275	81-AI	68403-92001	301	
67861-92000	311	90-E	//	281	82-AL	68403-92050	309	89-AP
* // *	317	91-AE	*68111-92170*	281	82-AL	*68404-92000	267	79-W
67862-92000	311	90-I	*68113-92000*	291	84-N	68410-92000	301	87-AK
* // *	317	91-AF	68113-92001	291	84-N	68411-92050	305	88-O
*67863-92000	311	90-H	*68113-92170*	291	84-N	68412-92050	305	88-M
* //	317	91-AH	*68121-60011	239	72-S	68413-92050	305	88-U
67863-92170	311	90-H	68121-60012	239	72-S	68414-92050	305	88-U
//	317	91-AH	*68121-92000	273	81-U	68420-91301	287	83-BD
67870-92170	311	90-I	*68121-92001*	273	81-U	68420-92000	301	87-AK
//	317	91-AF	68121-92170*	279	82-X	*68420-92050	307	89-Y
67871-60010	233	70-M	68121-92002	273	81-U	68420-92051	307	89-Y
67871-92001	291	84-X	//	279	82-X	68421-92050	305	88-P
67872-60010	233	70-L	*68131-60011	229	69-F	68422-92050	305	88-E
67872-92001	291	84-X	68131-60012	233	70-E	68423-92050	305	88-F
67881-92000	313	90-AE	68141-92001	275	81-AG	68424-92050	305	88-N
//	315	91-F	//	281	82-AJ	68425-92050	311	90-U

MANUFACTURER'S NUMERICAL INDEX

PART NUMBER	PAGE	FIGURE NUMBER	PART NUMBER	PAGE	FIGURE NUMBER	PART NUMBER	PAGE	FIGURE NUMBER
68425-92050	315	91-V	*68751-92000*	293	85-B	69238-60010	237	71-AP
68426-92050	311	90-U	68751-92001*	293	85-B	69239-60010	235	71-W
//	315	91-V	*68752-92000*	293	85-A	69256-60010	235	71-N
68428-92050	307	89-R	68752-92001*	293	85-A	69260-60010	235	71-AE
68429-92050	307	89-N	*68771-92000*	295	85-AI	69260-95400	287	83-AY
68431-92000	301	87-AH	68771-92001*	295	85-AI	//	295	85-AY
*68431-92050	307	89-M	*68772-92000*	295	85-AG	69271-91336	287	83-AQ
68431-92051	307	89-M	68772-92001*	295	85-AG	//	295	85-AT
68432-92050	309	89-AT	*68801-60010	229	69-Q	//	307	89-A
68437-92050	305	88-T	*68801-92050	309	89-AF	69285-95400	273	81-L
*68441-92050	305	88-B	68801-92051	309	89-AF	//	279	82-L
*68441-92051	305	88-B	*68802-60010	229	69-Q	//	291	84-J
*68442-92050	305	88-A	*68802-92050	309	89-AO	69305-20010	309	89-AZ
*68442-92051	305	88-A	68802-92051	309	89-AO	69308-91107	301	87-BA
*68443-92000	267	79-X	*68803-60010	231	69-AF	69309-20010	309	89-AU
68451-92000	311	90-U	*68804-60010	231	69-AD	69310-60010	247	
//	315	91-V	68804-92000	299	87-U	69310-60020	247	
68452-92000	297	86-A	68805-91107	301	87-AR	69310-60030	247	73-AL
68453-92000	297	86-A	68811-60020	235	71-S	69310-60040	247	73-AL
*68701-92000	285		68812-60020	235	71-O	*69310-95010*	247	73-AL
68701-92001	285		68813-60020	235	71-Q	69320-60010	247	
*68702-92000	285		*68829-60010	229	69-P	69320-60020	247	
68702-92001	285		68881-91107	299	87-W	69320-60030	247	73-AL
*68703-92000	287		68892-91107	299	87-X	69320-60040	247	73-AL
68703-92001	287		68898-60010	245	73-D	*69320-95010*	247	73-AL
68704-92000	287		68901-92000	285	83-AI	*69320-95011*	247	73-AL
68704-92001	287		//	295	85-AF	69321-95010	245	73-Q
*68705-92000	293		68905-60020	217	66-AU	69323-95010	245	73-P
68705-92001	293		68906-60010	217	66-AU	*69330-95010*	247	73-AL
*68706-92000	293		68913-92000	285	83-AL	69340-20010	309	
68706-92001	293		//	295	85-AN	69350-60010	227	68-S
*68707-92000	295		68914-92000	285	83-AK	69350-91107	299	87-H
68707-92001	295		//	295	85-AM	39359-60010	237	71-AT
*68708-92000	295		68950-60010	215	66-AK	69360-60010	217	66-AR
68708-92001	295		68955-60010	215	66-AG	//	227	68-S
68710-60010	245	73-A	68957-60010	245	73-C	69360-91107	299	87-H
68711-92000	283	83-D	68970-60010	233	70-A	69363-60010	217	66-AS
68711-92001*	283	83-D	68978-60010	233	70-A	69363-60020	217	66-AS
68712-39610	283	83-B	68980-60010	233	70-A	69370-60010	217	66-AR
//	295	85-AH	68980-91107	301	87-AX	69376-60020	237	71-AL
68712-92000	285	83-AE	68990-91107	301	87-AX	69377-60020	237	71-AO
//	307	89-AE	69104-92900	309	89-AI	69378-60020	237	71-AK
68712-92001*	285	83-AE	69141-92900	309	89-AH	69379-60020	235	71-AH
*68713-92000	283	83-A	69142-92900	309	89-AJ	*69380-60010	231	69-AC
//	295	85-AE	69148-92900	309	89-AM	69381-60020	237	71-AJ
//	307	89-AC	69201-60020	247	73-AN	69382-60020	235	71-AA
68714-92000	283	83-C	69205-60010	235	71-M	69383-60020	237	71-AQ
//	293	85-C	69206-60010	247	73-AI	69384-60020	235	71-I
//	307	89-AD	69207-60010	247	73-AI	*69388-95010*	247	73-AJ
68714-92001	283	83-C	*69207-95010*	247	73-AI	69388-95011	247	73-AJ
//	293	85-C	*69208-95010*	247	73-AI	*69390-60010	231	69-AJ
//	307	89-AD	69210-92000	283	85-F	69390-60020	235	71-Z
68720-60010	247	73-AE	69210-92100	283	83-F	69405-95010	245	73-F
68731-92000*	287	83-AW	//	293		69420-20010	309	89-AX
68731-92001*	287	83-AW	69211-90030	235	71-V	69428-91105	299	87-B
68732-92000*	287	83-AV	69220-92000	283	83-F	69429-91105	299	87-B
68732-92001*	287	83-AV	69220-92100	283	83-F	69463-91105	299	87-C

MANUFACTURER'S NUMERICAL INDEX

PART NUMBER	PAGE	FIGURE NUMBER	PART NUMBER	PAGE	FIGURE NUMBER	PART NUMBER	PAGE	FIGURE NUMBER
69464-91105	299	87-C	69810-60011	245	73-X	71202-92000	321	92-J
69470-91301	293		69820-60011	247	73-AH	71202-92011	329	93-AM
69478-91105	299	87-A	*69881-60020*	241	72-Z	71202-92111	329	93-AI
69480-92107	299	87-K	*69881-60030	241	72-Z	71202-92170	321	92-J
69485-91107	299	87-Y	69881-60031	241	72-Z	71225-92000	321	92-G
69486-91107	299	87-Z	69901-69810	245	73-E	71225-92170	321	92-G
69487-91107	299	87-Z	69902-69810	245	73-E	71226-92000	321	92-H
69488-91107	299	87-J	69991-91336	287	83-BE	71226-92170	321	92-H
69489-91107	301	87-AA	//	295	85-BB	71305-92170	323	92-AJ
69490-91107	299	87-K	//	309	89-BJ	//	327	93-F
*69500-60050	93		69992-91336	287	83-BF	71306-92170	323	92-AJ
*69500-60061	93		//	295	85-BC	//	327	93-F
69500-60062	93		//	309	89-BI	71308-92170	323	92-AJ
*69500-60070	93		69993-91336	287	83-AR	71309-92170	323	92-AJ
69500-60090	93		//	295	85-AU	71311-92170	323	92-AF
*69500-60110	93		//	307	89-C	71312-92170	323	92-AE
69500-60130	93		69994-91336	275	81-BB	//	329	93-AO
*69508-60010	229	69-E	//	281	82-AF	71313-92011	329	93-AP
69510-60030	247	73-AM	*71035-92000	321	92-F	71313-92170	323	92-AG
69540-31010	127	42-U	71035-92011	329	93-AH	71316-92000	325	92-AV
69540-60020	235	71-J	*71035-92170	321	92-F	71319-11010	321	92-K
*69550-60010	229		71035-92171	321	92-F	//	327	93-L
*69560-60010	229		71036-92011	329	93-AL	71321-92011	327	93-V
*69583-60010	229	69-C	71036-92111	329	93-AH	71321-92111	327	93-V
69600-92000	303	87-BC	71037-92011	327	93-G	71323-92011	331	93-AV
69601-91301*	287	83-BC	71038-92011	339	93-AX	71323-92111	331	93-AV
69606-92000*	295	85-AA	71038-92111	327	93-G	71325-92011	327	93-U
69607-91105	301	87-AV	*71071-92001	319	92-A	71327-92011	329	93-AC
69609-91105	301	87-AZ	71071-92170	319	92-A	71329-92011	331	93-AW
*69610-92000	283	83-E	*71073-92001	319	92-D	71331-92011	331	93-AY
69610-92001	283	83-E	71073-92170	319	92-D	71331-92111	331	93-AY
*69620-92000	287	83-AX	*71075-92001	321	92-F	71333-92011	331	93-AZ
69620-92001	287	83-AX	71075-92011	329	93-AH	*71410-92001	319	92-A
*69630-92100	283	83-E	*71075-92170	321	92-F	71410-92170	319	92-A
69630-92101	283	83-E	71075-92171	321	92-F	*71430-92001	319	92-D
69630-92170	283	83-E	71076-92011	329	93-AL	71430-92170	319	92-D
*69640-92100	287	83-AX	71076-92111	329	93-AH	*71460-92001	319	92-E
69640-92101	287	83-AX	*71077-92001	319	92-E	71460-92011	329	
69640-92170	287	83-AX	71077-92011	327	93-G	*71460-92170	319	92-E
*69650-92000	293	85-D	*71077-92170	319	92-E	71460-92171	319	92-E
69650-92001	293	85-D	71077-92171	321	92-F	71470-92011	329	
*69650-92170	293	85-D	71078-92011	329	93-AG	71470-92111	329	
69660-91107	301		71078-92111	327	93-G	*71480-92000	319	92-E
*69660-92000	293	85-D	71085-92011	331	93-BB	*71480-92170	319	92-E
* // *	303	85-D	71087-92011	329	93-AD	71480-92171	319	92-E
69660-92001	293		*71100-92001	319		71490-92011	331	
*69660-92170	293	85-D	71100-92002	319		71600-92011	329	
69669-91107	301	87-AI	*71100-92101	319		71601-92011	331	93-BA
69669-92000	303	87-BD	71100-92170	319		71608-11010	321	92-L
*69710-92000	287	83-AS	71110-92170	321	92-T	//	327	93-M
//	295	85-AV	*71200-92000*	319		//	331	93-BA
*69710-92001	287	83-AS	*71200-92170*	319		71610-92011	331	93-BB
//	295	85-AV	71200-92171*	319		*71850-60010	323	92-AO
*69720-92000	287	83-AZ	71201-92000	323	92-AI	71850-60011	323	92-AO
* //	295	85-AV	71201-92011	329	93-AI	71860-92170	325	92-AZ
69720-92001	287	83-AZ	71201-92111	329	93-AM	*72110-30020	321	92-U
//	295	85-AV	71201-92170	323	92-AI	*72110-30021	321	92-U

MANUFACTURER'S NUMERICAL INDEX

PART NUMBER	PAGE	FIGURE NUMBER	PART NUMBER	PAGE	FIGURE NUMBER	PART NUMBER	PAGE	FIGURE NUMBER
*72110-30030	321	92-U	74404-60030	177	58-J	75454-92000	315	91-P
72110-30031	321	92-U	//	183	59-J	75462-60010	337	95-G
72110-92000	321	92-U	74431-60010	177	58-L	75463-60010	311	90-N
*72110-92170	321	92-U	//	183	59-L	//	315	91-Q
72110-92171	321	92-U	*74451-60010	177	58-J	//	337	95-I
*72120-30010	321	92-U	* //	183	59-J	76333-91105	301	87-AT
*72120-30011	321	92-U	*74471-60010	177	58-K	76507-91105	299	87-L
*72120-30020	323	92-U	* //	183	59-K	76525-91105	301	87-AY
*72120-30021	323	92-U	74531-60030	201	63-P	76528-91105	299	87-M
72120-92000	321	92-U	74531-60040	201	63-P	76529-91105	301	87-BB
*72120-92170	323	92-U	74531-60050	201	63-P	76631-91105	301	87-AW
72120-92171	323	92-U	74531-60060	201	63-P	*77001-60030	29	10-AM
*72301-92000	323	92-X	74531-60070	201	63-P	*77001-60031	29	10-AM
72301-92001	323	92-X	74531-60080	201	63-P	77001-60032	29	10-AM
72321-92170	323	92-W	74701-95010	255	77-E	77014-92000	31	10-AY
*72503-92000	325	92-AW	//	333	94-E	77151-91133	249	74-S
*72503-92170	325	92-AW	74713-95010	255	77-C	77201-31010	27	10-G
72503-92171	325	92-AW	//	333	94-C	*77201-92001	27	10-G
*72504-92000	325	92-AW	74714-95010	255	77-D	77204-92000	29	10-AX
*72504-92170	325	92-AW	//	333	94-D	*77206-92000	29	10-U
72504-92171	325	92-AW	74741-95110	215	66-W	*77208-92000	29	10-X
*72505-92000	323	92-AP	*74810-92001	265	79-Q	77208-92001	29	10-X
72505-92001	323	92-AP	*74815-92000	265	79-P	77222-92900	29	10-AJ
72510-11010	321	92-R	75101-60010	179	58-AM	*77223-92000	29	10-AK
72510-92170	321	92-R	//	185	59-AM	77223-92001	29	10-AK
//	327	93-I	75102-60020	217	66-AM	77223-92002	31	10-AV
72516-92000	321	92-S	75202-60030	219	66-BL	77224-92000	31	10-AV
//	327	93-H	*75207-92000	257	77-AH	77293-60010	27	10-H
72520-11010	321	92-R	75207-92001	257	77-AH	77301-31010	27	10-C
72520-92170	321	92-R	//	335	94-AI	77301-92000	27	10-C
//	327	93-I	75233-60010	219	66-BK	*77310-60040	27	10-C
72558-92000	325	92-AT	75234-60010	219	66-BK	*77313-60010*	27	10-F
72559-92000	325	92-AS	75304-60010	311	90-A	*77314-60010*	27	10-D
74011-92000	319	92-C	//	315	91-A	*77330-60010*	27	10-A
74110-60010	201	63-O	//	337	95-Q	77410-60020	249	74-V
74307-92000	267	79-AM	75305-60010	313	90-AA	*77601-92000	31	10-AS
//	269	80-P	//	315	91-AB	77601-92001	31	10-AS
74310-60010	337	95-X	//	337	95-R	*77613-92000	29	10-V
74320-60010	337	95-Y	75312-60020	313	90-W	*77614-92000	31	10-AR
*74330-92000	265	79-M	//	315	91-X	77614-92001	31	10-AR
* //	269	80-C	//	337	95-F	77615-92001	31	10-AU
74330-92001	265	79-M	75321-60010	313	90-V	77616-92001	31	10-AZ
//	269	80-C	//	315	91-W	*77621-92000	29	10-AP
*74330-92100	265	79-M	//	337	95-K	77621-92001	29	10-AP
* //	269	80-C	75399-60010	311	90-B	*77623-92000	29	10-AQ
74330-92101	265	79-M	//	315	91-B	77623-92001	29	10-AQ
//	269	80-C	//	337	95-P	*77653-35010	29	10-W
*74401-60010	177	58-O	75441-92000	313	90-AJ	//	193	60-AW
* //	183	59-O	//	317	91-AK	78310-60010	91	30-T
74401-60011	177	58-O	75442-92000	313	90-AI	*78310-91336	265	79-N
//	183	59-O	//	317	91-AJ	* //	269	80-F
*74403-60010	177	58-N	75450-60010	337	95-H	78410-60010	91	30-Q
* //	183	59-M	75450-60020	337	95-H	78471-50010	93	30-X
74403-60011	177	58-N	75453-60010	311	90-O	80248-92000	99	33-Q
//	183	59-M	//	315	91-R	//	101	34-O
74403-60050	177	58-N	//	337	95-J	//	103	35-Q
//	183	59-M	75454-92000	311	90-M	//	105	36-N

MANUFACTURER'S NUMERICAL INDEX

PART NUMBER	PAGE	FIGURE NUMBER	PART NUMBER	PAGE	FIGURE NUMBER	PART NUMBER	PAGE	FIGURE NUMBER
81081-60010	91	30-K	81431-39610*	109	37-Y	81910-25010	269	80 O
81086-60010	91	30-C	//	113	38-Y	*81910-60010	219	66 BQ
81110-60010	107	37-D	//	125	42 M	* //	227	68-M
//	111	38-D	81510-60010	107	37-C	81910-60020	219	66 BQ
//	115	39-C	//	111	38-C	//	227	68 M
81210-60010	107	37-A	//	115	39-B	81911-92000	267	79 AK
//	111	38-A	81510-60020	111	38-C	//	269	80 N
//	115	39-A	81510-60040	107	37-B	81912-92000	267	79 AK
81230-60010	91	30-R	//	111	38-B	//	269	80 N
81240-21010	109	37-Q	//	115	39-G	81913-92000	267	79 AJ
//	113	38-Q	//	119		//	269	80 M
//	119		//	123		*81980-20020	111	38-J
81240-30010	117	39-Q	81510-60070	115	39-G	* //	117	39 M
//	123		//	123		81980-20040	107	37-M
81240-61010	117	39-R	81510-60080	119		//	111	38-J
//	123		//	123		//	117	39 M
81241-21010	119	40-F	81511-55010	119	40-B	81980-20050	113	38 BA
81241-30020	123	41-P	//	123	41-B	//	115	39 F
81241-39420	123	41-F	81512-55010	119	40-C	*81980-35010	107	37-M
81242-21010	119	40-G	//	123	41-C	//	117	39-M
81243-21010	119	40-J	81513-60030	119	40-D	82024-60010	99	33-R
81243-39410	123	41-H	//	123	41-E	//	101	34-Q
81243-61010	123	41-R	//	123	41-M	82024-60020	103	35-S
81244-39410	123	41-J	81513-60070	123	41-E	//	105	36-P
81245-39410	123	41-K	81514-60040	119	40-P	82039-60010	97	32 X
81270-60010	109	37-S	//	123	41-M	//	105	36 X
//	117	39-AC	81517-60030	119	40-T	82047-92000	99	33-P
//	119		81518-60030	119	40-Q	//	101	34-P
81270-60020	113	38-S	//	123	41-L	//	103	35-P
//	117	39-AC	81550-60011	109	37-R	//	105	36 O
//	119		//	113	38-R	82051-92000	99	33 M
81270-60050	117	39-U	81550-60040	117	39-S	//	101	34-L
* //	125		//	125		//	103	35-M
81270-92000	125		81550-60050	109	37-R	//	105	36 K
81271-39410	123	42-Y	81551-60040	125	42-C	82211-60010	99	33-H
81271-60010	119	40-X	81552-31010	125	42-E	//	101	34-G
81271-92000	127	42-AA	81553-60040	125	42-F	//	103	35-K
81272-39410	127	42-W	81554-31010	125	42-G	//	105	36-H
81272-60010	119	40-W	81557-31010	125	42-A	82211-60011	101	34-X
81273-31010	127	42-T	81558-31010	125	42-B	*82220-60012	95	31-C
81273-60010	121	40-Z	81559-31010	125	42-A	82220-60013	95	31-C
81274-39410	127	42-S	81560-36010	109	37-R	*82220-60041	103	35-C
81274-60010	121	40-AA	81560-60010	117	39-X	*82220-60071	99	33-C
81274-60020	121	40-AA	//	125		*82220-60072	101	34-C
81276-39410	127	42-Z	81561-60010	125	42-C	*82220-60100	99	33-C
81278-60010	119	40-V	81562-31010	125	42-E	*82220-60101	101	34-C
81279-39410	127	42-V	81563-60010	125	42-F	*82220-60110	103	35-C
81370-60010	107	37-AD	81564-31010	125	42-G	*82220-60120	97	32-C
//	113	38-AD	81801-55010	91	30-G	* //	105	36-C
//	125	42-K	81806-60010	91	30-A	82220-60121	97	32-C
81401-35010*	109	37-AB	81810-60010	91		82220-60141	105	36-C
// *	113	38-AB	81810-60020	91		82220-60151	101	34-C
//	125	42-Q	81860-60010	91		82220-60170	95	31 C
81420-35010	107	37-N	81908-60010	113	38-BF	82220-60180	101	34-C
//	111	38-I	//	117	39-BG	82240-60010	95	31-R
//	117	39-N	81910-25010	117	39-T	//	97	32-S
//	125	42-P	//	267	79-AL	//	103	35-R

MANUFACTURER'S NUMERICAL INDEX

PART NUMBER	PAGE	FIGURE NUMBER	PART NUMBER	PAGE	FIGURE NUMBER	PART NUMBER	PAGE	FIGURE NUMBER
82240-60010	105	36-Q	82610-60031	115	39-L	*84210-30020*	109	37-AN
82240-60040	99	33-S	82611-20010	113	38-W	* // *	113	38-AP
//	101	34-R	//	117	39-AD	* // *	117	39-AL
*82250-60010	99	33-T	82611-60030	109	37-W	84210-30021	109	37-AN
* //	103	35-T	//	117	39-AD	//	113	38-AP
82310-30060	95	31-W	82670-30020	107	37-F	//	117	39-AL
//	97	32-W	//	111	38-F	*84210-57010	109	37-AK
//	101	34-Y	//	115	39-D	* //	113	38-AK
//	105	36-W	82730-92000	99	33-G	* //	117	39-AF
*82370-60010	95	31-H	//	101	34-J	84210-57011	109	37-AK
* //	97	32-I	//	103	35-I	//	113	38-AK
82370-60030	95	31-H	//	105	36-G	//	117	39-AF
//	97	32-I	82811-92000	99	33-I	84270-60010	91	30-E
82380-60010	95	31-Q	//	101	34-H	84271-60010	93	30-AE
//	97	32-Q	//	103	35-H	84310-60010	107	37-K
//	109	37-AZ	//	105	36-I	//	115	39-K
//	113	38-AZ	*82910-60010	109	37-T	84310-60020	113	38-O
//	117	39-BA	* //	113	38-T	//	115	39-K
82381-60010	109	37-AJ	* //	117	39-AZ	84330-60010	113	38-BB
//	113	38-AJ	82910-60020	109	37-T	//	117	39-BC
//	117	39-BB	//	113	38-T	84340-30011	107	37-H
82407-92050	99	31-P	//	117	39-AZ	//	113	38-L
//	101	34-P	82940-65010	109	37-AU	//	115	39-H
//	103	35-P	//	113	38-AU	84450-60020	93	30-AB
//	105	36-O	//	117	39-AS	84610-30010	107	37-P
*82420-60010	95	31-P	82951-90310	109	37-AE	//	113	38-P
* //	97	32-O	//	113	38-AE	//	117	39-P
82420-60011	95	31-P	//	117	39-AY	84650-60010	91	30-P
//	97	32-O	82954-60010	109	37-AW	84650-92170	91	30-P
*82420-60070	99	33-O	//	113	38-AW	84651-60010	93	30-AF
* //	101	34-N	//	117	39-AU	84730-55020	145	46-Y
* //	103	35-O	83100-60011	93	30-V	84803-92000	117	39-W
* //	105	36-L	83100-60021	93	30-V	84804-92000	117	39-V
82420-60071	101	34-N	83110-60010	91	30-H	84804-92050	117	39-V
//	105	36-L	83110-60020	91	30-H	84967-60010	113	38-BG
*82420-60090	95	31-P	83310-60010	93	30-Z	//	117	39-BH
82420-60091	95	31-P	83320-35010	27	10-S	85010-60010	133	
82470-60010	95	31-O	83361-20010	27	10-T	85010-60020	133	
//	97	32-P	83410-60010	93	30-W	85011-55011	139	45-AB
82470-92000	99	33-P	83420-20010	91	30-L	*85011-55020	139	45-AB
//	101	34-P	83510-60010	91	30-U	*85012-55020	139	45-AE
//	103	35-P	83520-55010	93	30-AC	*85012-55021	139	45-AE
//	105	36-O	83610-60020	93	30-AA	85012-55022	139	45-AE
82501-92001	99	33-M	84095-60010	109	37-AP	*85013-55020	137	45-K
//	101	34-L	//	113	38-AQ	*85014-91336	137	45-C
//	103	35-M	//	117	39-AN	85017-55010	133	44-Q
//	105	36-K	84095-60021	117	39-AN	85100-60010*	133	
82510-92000	99	33-M	84110-60010	91	30-D	85100-60020*	133	
* // *	101	34-L	84111-60010	93	30-AD	85100-60030*	133	
* // *	103	35-M	84140-59620	107	37-J	*85110-35010	131	43-AG
* // *	105	36-K	//	113	38-N	85110-60010	205	64-M
82510-92170	105	36-K	//	115	39-J	85110-60030	209	65-F
82511-60020	95	31-L	84141-59610*	109	37-X	85110-91336	135	44-Z
82521-60020	97	32-M	//	113	38-X	* //	137	
82610-20011	111	38-K	//	117	39-AA	*85110-92000	129	
//	115	39-L	84160-60020	91	30-N	*85110-95401	135	44-Z
82610-60031	107	37-L	84170-59620	91	30-O	* //	137	

MANUFACTURER'S NUMERICAL INDEX

PART NUMBER	PAGE	FIGURE NUMBER	PART NUMBER	PAGE	FIGURE NUMBER	PART NUMBER	PAGE	FIGURE NUMBER
85110-95402	135	44-Z	*85154-55020	139	45-Y	86530-20031	107	37-I
//	137		*85155-55020	137	45-A	//	111	38-H
85110-95403	135	44-Z	85156-55022	141	45-AQ	//	115	39-I
//	137		*85157-25070	141	45-AO	86530-20040	107	37-I
*85111-55020	139	45-W	*85160-35010	129		//	111	38-H
85111-55021	139	45-W	85160-60010	133		//	115	39-I
85112-55021	141	45-AN	85161-91336	133	44-O	87100-60020	145	
85112-55022	141	45-AN	85162-91336	133	44-K	87100-60030*	147	
85113-55020	139	45-AC	85163-55010	133	44-M	87100-60040	153	
85114-55020	139	45-AF	85164-91336	133	44-P	87100-60050	155	
*85114-55021	139	45-AF	85165-91336	133	44-N	87103-60030	149	47-AI
85114-55022	139	45-AF	85167-90010*	133	44-G	87103-60060	149	47-AI
*85115-55020	139	45-Q	85168-55010	133	44-C	87104-60030	149	47-AD
85115-55021	139	45-Q	85169-55010	133	44-D	87104-60060	149	47-AD
85116-55020	137	45-D	85171-91336*	133	44-J	87105-60060	149	47-AA
85116-95402	137	45-D	85173-25040	133	44-L	87110-60020	145	46-X
85116-95403	137	45-D	85182-55030	133	44-H	87110-60040	153	48-H
85117-55020	139	45-P	85185-92170	133	44-E	87110-60050	155	49-J
*85118-55020	139	45-N	85186-92170	133	44-F	87114-39020	149	47-AB
85118-55021	139	45-N	*85190-35010	129	43-K	87117-55040	149	47-AR
85119-25040	137	45-L	*85190-35020	129	43-K	87130-60030	149	
85119-55020	139	45-R	85190-60010	205	64-G	87130-60060	149	
*85120-92000	129		//	209	65-A	87134-60030	151	47-BT
85121-55020	139	45-T	85190-60020	133	44-A	87141-60030	149	47-AM
85123-55030	137	45-C	*85190-92002	133	44-A	87142-60030	149	47-Z
*85125-55020	137	45-H	*85190-92171	133	44-A	87148-60030	149	47-Y
85125-55021	137	45-H	*85220-10010	133	44-I	87150-60030	149	47-AQ
85126-91336	139	45-O	*85220-55010	129	43-F	87150-60060	149	47-AQ
85127-55020*	137	45-F	//	205	64-H	87200-60020	145	
85128-55020	137	45-E	//	209	65-B	87200-60030	147	
85129-55011	139	45-Z	85220-55021	135	44-I	87200-60040	153	
*85129-55020	139	45-Z	*85230-39410	131	43-AE	87200-60050	155	
85131-55020	137	45-B	*85230-92170	135	44-Y	87200-60060	147	
85131-55021	137	45-B	85230-92171	135	44-Y	87200-60070	153	
*85132-55020	139	45-AA	*85231-92000	129	43-AB	87200-60080	155	
*85133-55020	137	45-I	*85233-92170	135	44-T	*87204-60030	149	47-W
85133-55021	137	45-I	85233-92171	135	44-T	87205-25010	145	46-G
*85134-55020	137	45-G	85234-92170	135	44-U	87206-20051	147	47-G
85134-55021	137	45-G	85500-10011	91	30-M	*87206-60030	147	47-G
85135-55010	133	44-B	85500-10012	91	30-M	//	149	47-W
*85136-55020	141	45-AH	86508-60010	191	60-X	87211-60030	151	47-BM
85136-55021	141	45-AH	86509-60010	191	60-X	87211-60060	151	47-BM
*85137-55020	141	45-AG	86510-30020	107	37-E	87212-60030	149	47-AT
85137-55021	141	45-AG	//	111	38-E	87231-60020	145	46-J
85139-55020	139	45-S	//	115	39-E	87231-60030	147	47-I
*85141-55020	139	45-X	86510-30030	107	37-E	87232-60020	145	46-P
*85143-91336	141	45-AL	//	111	38-E	87232-60030	147	47-E
85143-95402	141	45-AL	//	115	39-E	87236-25010	145	46-Q
85144-55020	139	45-U	86520-30020	107	37-G	87237-61020	145	46-L
85145-55020	139	45-V	//	111	38-G	87238-25010	145	46-I
85145-55021	141	45-AM	//	115	39-E	87241-60020	145	46-B
85146-55020	137	45-M	86520-30030	107	37-G	87242-60020	145	46-F
*85147-55020	141	45-AI	//	111	38-G	87243-60020	145	46-H
*85147-55021	141	45-AI	//	115	39-E	87245-60030	151	47-AY
85147-55022	141	45-AI	*86530-20030*	107	37-I	87246-60030	151	47-AZ
85152-55020	137	45-J	* // *	111	38-H	87251-60020	145	46-U
85153-55021	141	45-AP	* // *	115	39-I	87251-65010	147	47-H

MANUFACTURER'S NUMERICAL INDEX

PART NUMBER	PAGE	FIGURE NUMBER	PART NUMBER	PAGE	FIGURE NUMBER	PART NUMBER	PAGE	FIGURE NUMBER
87253-60020	145	46-D	90013-70001	279	82-V	90201-09221	243	72-AS
87254-60020	145	46-E	//	243	72-AP	90201-16026	227	68-X
//	151	47-BF	//	275	81-AZ	90201-19117	53	17-BG
//	153	48-O	90013-80002	279	82-W	90202-06040	223	67-AG
//	155	49-M	*90053-00500	251	75-D	90202-12041	243	72-AX
*87256-55010	147	47-H	*	253	76-O	90204-13012	57	18-R
*87256-60030	147	47-V	90053-60500	255	77-F	90206-08024	61	19-D
87256-60031	147	47-V	//	333	94-F	//	235	71-R
87265-60030	151	47-AX	90053-60501	223	67-Y	90206-09011	243	72-AM
87265-60040	153	48-C	//	273	81-AF	//	275	81-AX
//	155	49-E	//	281	82-AI	//	279	82-U
87266-60030	151	47-BD	//	291	84-H	90206-10018	237	71-AM
87266-60040	153	48-N	*90053-80400	251	25-Q	90206-16025	109	37-AO
//	155	49-N	90099-00004	151	47-BP	//	113	38-AO
87267-60020	145	46-A	90099-01225	149	47-AC	//	117	39-AM
87274-60020	145	46-T	90099-02302	149	47-AH	90207-05001	201	63-N
87290-60030	147	47-C	90099-04072	145	46-V	90207-05003	275	81-AQ
//	153	48-A	90099-04162	147	47-S	90207-05003	291	84-T
//	155	49-A	90099-32009	145	46-K	90213-03007	61	19-T
87291-60030	151	47-BO	90099-32029	149	47-AF	90213-07006	63	19-AQ
87291-60040	153	48-B	90099-35218	151	47-BG	90213-09005	61	19-B
87291-60050	155	49-B	90101-08072	45	16-M	*90240-06065	229	69-D
87291-60070	153	48-B	90101-08083	77	22-AH	90240-08035	61	19-A
87291-60080	155	49-B	*90101-10061	49	17-AB	90240-08036	63	19-AI
87292-60030	151	47-BB	90101-10152	213	66-K	90240-08038	63	19-Z
87293-60030	147	47-U	90101-10153	197	61-AE	90240-12043	63	19-Y
87294-60030	151	47-BR	90101-12140	59	18-AL	90245-08011	245	73-B
87295-60030	147	47-B	90101-12147	49	17-AB	90245-08026	235	71-T
87295-60060	147	47-B	90102-08002	19	5-Q	90249-10002	41	15-E
87296-60030	147	47-D	//	29	10-AO	90249-10018	41	15-W
87297-60030	147	47-J	90112-10004	179	58-AP	90260-10013	75	22-U
87298-60030	149	47-AE	//	185	59-AO	90301-29035	59	18-AF
*87810-60011	205	64-N	90112-10007	197	61-AA	90310-32010	59	18-AH
*	209	65-H	90113-14012	57	18-U	90311-38028	53	17-BD
//	265	79-N	90114-08005	63	19-AF	90341-18014	47	17-J
//	269	80-F	*90116-08012	47	17-O	90345-53008	59	18-AD
87810-60020	205	64-N	*90116-08025	49	17-T	90361-03023*	43	16-C
//	209	65-H	//	59	18-AU	90368-45001	49	17-AD
87901-60011	205	64-F	*90116-08026	49	17-T	90385-11021	47	17-D
//	209	65-O	90116-10043	19	5-B	90385-12022	27	10-L
//	265	79-C	90116-10103	49	17-T	//	67	20-E
87902-60030	205	64-E	90116-10104	49	17-T	//	71	21-E
//	211	65-AD	90116-10107	47	17-O	90385-16007	75	22-D
87902-92170	265	79-D	90117-08007	21	5-AE	90385-18025	75	22-O
87910-60031	209		90117-13036	75	22-Y	90386-08004	235	71-P
87910-92101	265		90150-40009	241	72-AE	90386-13007	41	15-H
87914-92170	267	79-AC	90155-80002	227	68-B	90386-18026	57	18-Q
87920-92001	265		90170-10050	19	5-A	90387-10004	41	15-F
87920-92170	265		90170-10054	55	18-I	*90407-54016	147	47-V
87921-92170	267	79-AE	90170-13028	77	22-AD	90412-09004	71	21-K
87922-92170	267	79-AE	90170-14057	57	18-T	90413-09003	67	20-B
87923-92170	267	79-AD	90171-19012	53	17-BH	//	71	21-B
87925-92170	265	79-A	90175-08003	177	58-M	90413-09007	67	20-S
87926-92000	265	79-E	//	183	59-N	//	71	21-V
88371-20010	149	47-AA	90201-06028	189	60-F	90413-09015	67	20-L
90013-70001	243	72-AN	90201-08206	213	66-M	//	71	21-N
//	275	81-AY	90201-08216	19	5-T	90430-11100	69	20-AK

MANUFACTURER'S NUMERICAL INDEX

PART NUMBER	PAGE	FIGURE NUMBER	PART NUMBER	PAGE	FIGURE NUMBER	PART NUMBER	PAGE	FIGURE NUMBER
90430-11100	73	21-AN	90462-10004	99	33-J	90480-15007	103	35 B
90430-12038	29	10-AN	* //	101	34-F	//	105	36 B
90430-18012	47	17-L	//	103	35-F	90480-17008	95	31 N
90430-34053	27	10-B	* //	105	36-F	//	97	32 R
*90430-40059	27	10 E	* //	253	76-V	90480-19048	95	31-G
90445-21076	153	48 J	90462-10006	95	31-A	//	97	32 H
90445-21092	153	49-J	//	97	32-A	//	99	33 F
90445-21093	153	48-I	//	99	33-A	//	101	34 S
//	155	49-F	//	101	34-A	//	103	35-J
90445-21094	153	48 P	//	103	35-A	//	105	36 R
90445-21141	155	49-D	//	105	36-A	* //	253	76-X
90445-21142	155	49 O	90462-10008	95	31-J	*90480-20023	99	33 U
90445-21219	153	48 P	//	99	33-K	//	103	35-V
90445-24060	147	47-T	//	101	34-I	//	189	60 C
90445-24087	149	47-AU	90462-10021	67	20-W	90480-25125	253	76 X
90445-24088	147	47-T	//	71	21-AA	*90480-26043	103	35 U
90446-08106	151	47-BE	90462-10034	67	20-M	90480-45005	203	63-AB
90446-09107	153	48-L	//	71	21-M	90480-46032	95	31-D
//	155	49-K	//	99	33-L	//	97	32-E
90446-20146	253	76-AI	//	101	34-K	//	99	33-E
90446-20153	253	76 AI	//	103	35 L	//	101	34-E
//	253	76 AJ	//	105	36 J	//	103	35-E
90446-20154	253	76-AJ	90462-12024	27	10 M	//	105	36 E
90460-22023	151	47-BA	90463-08024	101	34 F	90480-46033	95	31-S
//	153	48 D	//	105	36 F	//	97	32-G
//	155	49 C	90463-08030	95	31-M	//	99	33-V
*90460-23032	151	47-BA	//	97	32-N	//	101	34-T
* // *	153	48-D	//	99	33-N	//	103	35-G
* // *	155	49-C	//	101	34-M	//	105	36-D
//	253	76 AG	//	103	35-N	90480-46041	97	32 K
90460-25002	149	47-X	90463-08030	105	36-M	//	103	35-W
*90460-27002	149	47-X	*90463-08049	29	10 Y	//	105	36-T
90460-66017	29	10-AI	90463-10045	41	15 A	90480-58059	27	10-I
90460-67201	145	46-C	90467-06004	215	66-S	90480-90301	95	31-K
90461-04057	69	20-AL	//	239	72 F	//	97	32-L
//	73	21-AO	90467-11003	219	66-BN	90501-05014	241	72 AI
90461-04108	67	20-V	*90467-41023	43	16-J	//	275	81-AW
//	71	21-Y	90467-44033	147	47-F	//	279	82-T
*90461-04216	67	20-T	90468-08001	41	15-N	90501-14121	63	19-AP
* // *	71	21-W	//	67	20-AF	90501-32259	243	72-AV
90461-06037	67	20-F	//	73	21-AI	*90506-05014	231	69-AB
//	71	21-F	90480-01050	95	31-E	*90506-09015	229	69-AA
90461-08060	147	47-P	//	97	32-D	90506-09043	67	20-H
90461-08061	145	41-S	//	101	34-D	//	71	21-H
90461-08199	153	48-Q	//	105	36-S	90506-09131	235	71-H
//	155	49-P	90480-01051	99	33-D	90506-12009	323	92-V
90461-10101	65	19-AV	* //	103	35-D	90506-12023	41	15-M
90461-10102	65	19-AW	90480-01109	151	47-BC	90506-14048	63	19-AN
90461-10103	65	19-AY	//	153	48-K	90506-16052	63	19-AH
90461-23063	19	5-I	//	155	49-F	90506-18010	323	92-W
90461-23071	19	5-M	90480-12069	57	18-P	90508-08041	61	19-S
90461-23087	19	5-AB	90480-13110	153	48-M	*90508-12062	229	69-Z
90461-23227	19	5-I	//	155	49-L	*90508-12063	229	69-Z
90462-08002	95	31-I	90480-15007	95	31-B	90508-12085	235	71-U
//	97	32-J	//	97	32-B	90508-14038	65	19-BA
90462-10004	95	31-F	//	99	33-B	90508-14039	65	19-BA
//	97	32-F	//	101	34-B	90521-31038*	43	16-B

MANUFACTURER'S NUMERICAL INDEX

PART NUMBER	PAGE	FIGURE NUMBER	PART NUMBER	PAGE	FIGURE NUMBER	PART NUMBER	PAGE	FIGURE NUMBER
90521-31039*	43	16 B	90564-40039	59	18-AR	90981-12003	113	38-AC
90521-31040*	43	16 B	90564-70101	51	17-AW	90999-70033	57	18-X
90521-31041*	43	16 B	90564-70102	51	17-AW	90999-73018	59	18-AG
90524-08010	151	47 BF	90564-70103	51	17-AW	90999-90014	123	41-A
"	153	48 O	90564-70104	51	17-AW	94350-10600	245	73-J
"	155	49 M	90917-04007	21	5-AF	96451-00600	43	16-G
90524-14001	109	37-AQ	90917-05004*	19	5-C	97600-30205	59	18-AQ
"	113	38 AN	90917-06005	19	5-D	97600-30206	59	18-AO
"	117	39-AO	90917-08001	19	5-L	97610-30306	53	17-BB
90540-08008	245	73-U	90917-08004	19	5-H	97610-30308	51	17-AV
90540-09007	189	60-L	90930-03019	49	17-Z	98427-92050	305	88-R
90541-10009	257	77-AG	90930-03023	49	17-AP	99118-62905	107	37-L
"	323	92-AH	90937-01010	45	16-P	"	111	38-K
"	335	94-AH	90937-01011	45	16-P	"	117	39-AE
90560-08094	147	47-O	90937-01012	45	16-P	99118-62915	97	32-X
90560-09025	221	67-E	*90937-01016	45	16-K	"	105	36-X
*90560-30157	53	17-AX	*90937-01017	45	16-K	"	107	37-L
90560-30184	53	17-AX	*90937-01018	45	16-K	"	111	38-K
90560-30185	53	17-AX	*90937-01019	45	16-K	"	117	39-AE
90560-30186	53	17-AX	90937-01022	45	16-P	99118-62930	107	37-L
90560-30187	53	17-AX	90942-01007	227	68-K	"	111	38-K
90560-30188	53	17-AX	90945-01001	55	18-G	"	117	39-AE
90560-30190	53	17-AX	90945-01003*	55	18-F	99132-11080	119	40-Y
90560-30191	53	17-AX	90945-01004*	55	18-H	99132-11100	119	40-Y
90560-30192	53	17-AX	90947-02006	41	15-P	99132-11250	119	40-E
90564-10059	55	18-E	90947-02027	67	20-Q	"	123	41-D
*90564-30033	53	17-BA	"	71	21-S	99132-13015	91	30-B
*90564-30034	53	17-BA	90948-03003	75	22-C	99132-13030	91	30-I
90564-30035	53	17-BA	90948-03004	75	22-F	"	91	30-J
*90564-30063	53	17-BA	90950-01019	217	66-AX	99132-13050	119	40-H
*90564-33062	57	18-AB	90981-11002	91	30-J	99132-13060	123	41-G
90564-33106	57	18-AB	90981-11004	123	41-Q	99132-22250	114	40-E
90564-33110	57	18-AB	90981-12001	91	30-S	"	123	41-D
90564-40037	59	18-AR	"	127	42-X	"	125	42-D
90564-40038	59	18-AR	90981-12003	109	37-AC	"		

STANDARD HARDWARE INDEX

PART NUMBER	PAGE	FIGURE NUMBER	PART NUMBER	PAGE	FIGURE NUMBER	PART NUMBER	PAGE	FIGURE NUMBER
90091-00504	151	47-BS	91111-40620	267	79-AB	91111-40820	203	63-Z
90091-00609	145	46-R	91111-40625	227	68-T	//	215	66-AC
91111-40525	301	87-AU	* //	253	76-S	//	223	67-AI
91111-40610	113	38-BC	91111-40640	273	81-P	//	227	68-I
//	117	39-BD	//	279	82-P	//	245	73-AB
//	217	66-BF	91111-40660	283	83-Q	//	323	92-AB
//	275	81-AV	//	295	85-M	//	327	93-D
//	281	82-AW	91111-40816	27	10-K	91111-40822	213	66-C
//	291	84-A	//	49	17-V	//	235	71-A
91111-40612	113	38-BD	//	67	20-AC	91111-40825	21	5-Y
//	117	39-BE	//	67	20-AE	//	75	22-H
//	135	4-R	//	71	21-AF	//	177	58-G
//	147	47-M	//	73	21-AH	//	183	59-G
//	201	63-Q	//	95	31-U	//	227	68-U
//	227	68-O	//	97	32-U	//	255	77-P
//	301	87-AM	//	99	33-W	* //	265	79-S
//	313	90-Y	* //	101	34-U	//	333	94-Q
//	315	91-Z	//	103	35-X	91111-40828	21	5-AD
//	337	95-M	* //	105	36-V	91111-40832	149	47-AL
91111-40614	217	66-BB	//	109	37-AG	91111-40840	21	5-AC
//	257	77-AA	//	113	38-AG	91111-41020	47	17-G
//	335	94-AB	//	117	39-AX	91111-41025	19	5-R
91111-40616	27	10-O	//	179	58-AO	//	41	15-L
//	109	37-AR	//	185	59-AN	//	155	49-G
//	113	38-AR	//	189	60-V	91111-41028	195	61-O
//	117	39-AP	//	195	61-V	//	199	62-N
* //	129	43-T	//	199	62-U	91111-41032	185	59-AC
* //	131	43-AF	//	201	63-C	91111-41056	41	15-Q
//	179	58-AZ	//	207	64-U	91111-41232	179	58-AE
//	185	59-AY	//	211	65-Z	91111-50816	63	19-AK
//	189	60-G	//	213	66-E	//	285	83-AF
//	195	61-C	* //	285	83-AF	//	295	85-AJ
//	199	62-D	* //	295	85-AJ	91111-50820	63	19-AK
//	215	66-R	//	299	87-T	//	247	73-AG
//	251	75-T	//	307	89-Z	91111-50822	55	18-A
//	253	76-Z	//	323	92-AD	91111-50825	59	18-AT
//	257	77-AE	//	327	93-Q	//	191	60-AH
//	263	78-AG	91111-40818	153	48-E	91111-50832	191	60-AI
//	265	79-B	//	177	58-C	91111-50850	55	18-L
//	275	81-AO	//	183	59-C	91111-51036	179	58-AB
//	281	82-AR	91111-40820	19	5-S	//	187	59-BL
//	335	94-AF	* //	47	17-G	91111-51040	181	58-BK
91111-40618	223	67-AD	//	69	20-AG	//	187	59-BJ
91111-40620	59	18-AP	//	73	21-AJ	91111-51045	181	58-BH
//	61	19-K	//	149	47-AS	//	187	59-BG
//	135	44-X	//	177	58-P	91111-51250	179	58-AU
//	193	60-AV	//	183	59-P	//	185	59-AT
//	223	67-AA	//	195	61-A	91121-51071	41	15-C
//	263	78-AR	91111-40820	199	62-A	91211-41016	65	19-AZ

STANDARD HARDWARE INDEX

PART NUMBER	PAGE	FIGURE NUMBER	PART NUMBER	PAGE	FIGURE NUMBER	PART NUMBER	PAGE	FIGURE NUMBER
S C R E W								
90090-00603	145	46-O	93210-14025	297	86-K	93210-26025	191	60-AD
90090-50401	151	47-BU	93210-14030	325	92-AU	93220-13005	285	83-T
90090-50512	151	47-BH	*93210-15010	231	69-AH	//	295	85-Q
//	151	47-BN	//	235	71-X	93220-13010	247	73-AK
90090-50615	149	47-AG	93210-15012	213	66-F	93220-14008	275	81-Y
*93110-14008	141	45-AK	//	231	69-AQ	//	281	82-AC
93110-14010	93	30-Y	//	249	74-M	93220-14016	117	39-AB
//	109	37-AA	93210-15016	197	61-AD	93220-14020	329	93-AR
//	113	38-AA	//	267	79-AN	93220-16012	245	73-N
//	125	42-N	//	269	80-Q	//	309	89-BK
93110-15010	195	61-K	//	287	83-AP	93220-16016	285	83-W
//	199	62-J	//	295	85-AZ	//	295	85-T
*93110-15016	229	69-L	//	307	89-D	//	299	87-G
93180-16012	67	20-Z	93210-16010	29	10-AE	//	309	89-AL
//	71	21-AC	//	205	64-O	93220-16020	299	87-I
//	109	37-AL	//	209	65-I	//	309	89-AY
//	113	38-AL	//	219	66-BR	//	329	93-AS
//	117	39-AJ	//	221	67-L	93220-18016	245	73-G
//	205	64-D	//	227	68-N	//	309	89-AV
//	211	65-AC	//	239	72-A	93220-18020	229	69-T
93180-16014	149	47-AP	//	245	73-AA	//	235	71-B
93180-16016	63	19-W	//	295	85-AX	//	301	87-AP
//	109	37-V	93210-16012	241	72-AA	//	323	92-AM
//	113	38-V	//	311	90-P	//	327	93-K
//	117	39-Z	*93210-16014	229	69-Y	93220-18025	285	83-Y
//	147	47-N	93210-16016	185	59-AG	//	295	85-V
//	153	48-T	//	189	60-P	//	301	87-AJ
//	155	49-Q	//	205	64-Q	//	309	89-BD
//	237	71-AI	//	209	65-K	93220-18030	299	87-E
93180-16032	253	76-S	//	217	66-AQ	93220-24016	319	92-B
93210-13010	201	63-B	//	233	70-B	*93230-14008	273	81-AC
//	215	66-U	//	273	81-I	93230-14010	253	76-K
//	253	76-AD	//	273	81-N	//	265	79-O
93210-14008	27	10-Q	//	279	82-I	//	269	80-G
//	109	37-AV	//	279	82-N	93230-14012	265	79-L
//	113	38-AV	//	287	83-AU	//	269	80-E
//	117	39-AT	//	291	84-L	*93230-14016	305	88-D
* //	239	72-K	//	301	87-AG	93230-15010	307	89-I
//	311	90-J	//	321	92-O	93230-15012	233	70-I
//	315	91-M	//	327	93-P	//	235	71-AF
//	337	95-B	93210-16018	255	77-K	93230-15014	149	47-AO
93210-14010	119	40-K	//	333	94-K	93230-15016	215	66-AD
//	215	66-Y	*93210-16020	231	69-AP	93230-16012	337	95-W
//	249	74-R	//	285	83-AD	93230-16016	189	60-R
//	255	77-R	//	291	84-Y	//	221	67-D
//	333	94-S	//	295	85-N	* //	231	69-AG
93210-14012	219	66-BT	//	307	89-P	//	245	73-W
* //	251	75-G	//	327	93-AA	//	301	87-AB
* //	253	76-R	93210-18014	217	66-AN	93230-16020	237	71-AR
*93210-14014	231	69-AM	93210-18016	327	93-X	93230-16025	321	92-P
*93210-14020	323	92-AN	93210-18020	217	66-AO	//	327	93-K
*93210-14022	325	92-AU	//	327	93-T	93230-18016	207	64-T

STANDARD HARDWARE INDEX

PART NUMBER	PAGE	FIGURE NUMBER	PART NUMBER	PAGE	FIGURE NUMBER	PART NUMBER	PAGE	FIGURE NUMBER
93230-18016	211	65-Y	93510-13516	31	10-AW	93540-14012	297	86 H
93230-18020	207	64-Y	93510-14010	119	40-I	93540-14016	257	77-AP
//	211	65-S	//	207	64-AB	//	263	78 U
* //	221	67-C	//	209	65-Q	//	301	87-AN
* //	229	69-S	93510-24010	313	90-AL	//	305	88-K
93230-24010	127	42-AB	//	317	91-AM	//	307	89-F
93230-24012	241	72-Y	93520-16020	123	41-I	//	313	90-AF
*93230-24016	267	79-V	93530-13016	315	91-S	//	315	91-G
93230-26012	91	30-F	93530-14014	275	81-AR	//	321	92-I
*93230-26016	273	81-N	93530-14020	275	81-AT	//	335	94-AC
//	279	82-N	//	281	82-AU	93540-15014	179	58-AV
* //	291	84-L	//	291	84-Q	//	185	59-AV
93230-94014	119	40-A	93530-23512	201	63-M	93580-17020	67	20-AC
93240-94010	119	40-U	93530-24014	291	84-U	//	69	20-AI
93510-13008	95	31-V	93530-24020	305	88-S	//	71	21-AF
//	97	32-V	93540-13510	263	78-Q	//	73	21-AI
93510-13512	123	41-S						

N U T

90092-10504	151	47-BK	94110-40600	185	59-AI	94110-40800	73	21-AI
90092-10605	145	46-M	//	189	60-E	//	75	22-J
94110-15016	197	61-AB	//	195	61-F	//	109	37-AI
94110-40300	201	63-K	//	199	62-F	//	113	38-AI
//	215	66-U	//	201	63-S	//	117	39-AI
//	253	76-AC	//	217	66-BE	//	179	58-AI
94110-40400	109	37-AY	//	227	68-H	//	185	59-AI
//	113	38-AY	//	235	71-AB	//	191	60-A
//	117	39-AW	//	243	72-AU	//	195	61-T
//	119	40-O	//	245	73-K	//	199	62-S
//	201	63-I	//	251	75-K	//	203	63-Y
//	215	66-AI	//	253	76-W	//	213	66-A
//	219	66-BT	//	257	77-AK	//	213	66-C
//	235	71-F	//	265	79-H	//	221	67-J
//	253	76-E	//	269	80-K	//	227	68-C
//	325	92-AR	//	273	81-C	//	237	71-A
//	329	93-AF	//	279	82-C	//	267	79-A
//	337	95-C	//	283	83-L	//	285	83-A
*94110-40500	129	43-X	//	291	84-W	//	295	85-A
//	191	60-AQ	//	293	85-I	//	323	92-Y
//	215	66-AF	//	299	87-L	//	327	93-A
//	229	69-O	//	301	87-AC	94110-41000	19	5-V
//	235	71-L	//	307	89-S	//	47	17-N
//	299	87-O	//	313	90-Z	//	75	22-A
//	307	89-W	//	315	91-AA	//	179	58-A
94110-40600	29	10-AT	//	329	93-AU	//	185	59-Y
//	61	19-P	//	335	94-AL	//	195	61-R
//	109	37-AT	//	337	95-N	//	199	62-P
//	113	38-AT	94110-40800	19	5-O	94110-41200	119	40-R
//	117	39-AR	//	29	10-AB	//	123	41-T
//	121	40-AC	//	45	16-O	//	179	58-F
//	125	42-J	* //	47	17-M	//	185	59-F
* //	129	43-R	//	55	18-J	94110-41400	75	22-L
* //	129	43-U	//	63	19-AC	94120-40600	243	72-F
//	149	47-AW	//	69	20-AJ	//	245	73-J

STANDARD HARDWARE INDEX

PART NUMBER	PAGE	FIGURE NUMBER	PART NUMBER	PAGE	FIGURE NUMBER	PART NUMBER	PAGE	FIGURE NUMBER
94120-40600	283	83-P	*94141-40800	21	5-W	94171-10800	205	64-A
94120-40600	293	85-L	"	245	73-S	"	209	65-L
94120-40800	29	10-AA	94141-41000	47	17-F	*94171-20600	229	69-A
94120-41000	41	15-G	94141-41200	75	22-B	94171-40600	221	67-A
94120-41300	57	18-S	94141-41600	227	68-W	*94350-10600	245	73-J
94120-41400	61	19-I						

W A S H E R

*90093-00402	151	47-BQ	94511-00600	109	37-AM	94511-00600	313	90-X
90093-00501	151	47-BI	"	109	37-AS	"	315	91-Y
90093-00505	151	47-BL	"	113	38-AM	"	321	92-N
90093-00602	147	47-Q	"	113	38-AS	"	327	93-O
90094-00402	151	47-BV	"	113	38-BE	"	335	94-AE
90094-00502	151	47-BJ	"	117	39-AK	"	337	95-L
90094-00602	145	46-N	"	117	39-AQ	94511-00800	27	10-J
"	147	47-R	"	117	39-BF	"	97	32-T
90094-01001	145	46-W	"	121	40-AB	"	109	37-AF
94511-00300	201	63-J	"	125	42-R	"	113	38-AF
"	215	66-U	* "	129	43-S	"	117	39-AH
94511-00400	27	10-R	"	135	44-S	"	177	58-I
* "	29	10-AF	* "	139	45-AD	"	183	59-I
"	109	37-AX	"	147	47-L	"	193	60-BB
"	113	38-AX	"	153	48-S	"	195	61-U
"	117	39-AV	"	155	49-S	"	199	62-T
* "	141	45-AJ	"	185	59-AH	"	203	63-X
"	201	63-H	"	189	60-H	"	207	64-V
"	207	64-AA	"	195	61-E	"	211	65-X
"	209	65-R	"	199	62-E	"	213	66-C
"	215	66-X	"	201	63-R	"	215	66-AA
"	219	66-BT	"	213	66-Q	"	221	67-I
"	235	71-G	"	221	67-B	"	235	71-D
"	241	72-AF	"	223	67-Z	"	267	79-AG
"	249	74-T	"	227	68-A	"	285	83-AG
* "	251	75-F	"	229	69-B	"	295	85-AK
"	253	76-Q	"	233	70-C	"	323	92-Z
"	305	88-L	"	235	71-AC	"	327	93-B
"	311	90-K	"	241	72-W	94511-01000	49	17-AA
"	315	91-N	* "	245	73-L	"	155	49-H
"	329	93-AE	"	251	75-L	"	185	59-Z
"	337	95-D	"	253	76-T	"	197	61-Z
*94511-00500	129	43-Y	"	257	77-AD	94511-01400	61	19-H
"	139	45-AD	"	263	78-AS	94511-11200	119	40-S
"	179	58-AX	"	265	79-G	"	123	41-O
"	185	59-AW	"	273	81-D	94512-00400	119	40-N
"	191	60-AP	"	273	81-M	* "	231	69-AL
"	195	61-L	"	279	82-D	"	255	77-S
"	199	62-K	"	279	82-M	"	297	86-J
"	215	66-AE	"	283	83-K	"	307	89-G
"	231	69-AI	"	291	84-B	"	333	94-T
"	235	71-K	"	291	84-K	*94512-00500	229	69-N
"	249	74-L	"	293	85-H	"	299	87-N
"	307	89-E	"	299	87-L	"	27	10-N
94511-00600	29	10-AG	"	301	87-AL	"	61	19-O
"	59	18-AN	"	307	89-Q	"	67	20-AA

STANDARD HARDWARE INDEX

PART NUMBER	PAGE	FIGURE NUMBER	PART NUMBER	PAGE	FIGURE NUMBER	PART NUMBER	PAGE	FIGURE NUMBER
94512-00500	71	21-AD	94512-01000	179	58-AD	94524-00800	245	73-H
//	109	37-U	//	185	59-AP	//	285	83-Z
//	113	38-U	//	195	61-Q	//	295	85-W
//	117	39-Y	//	199	62-O	//	299	87-D
//	125	42-I	//	213	66-L	//	309	89-AW
//	135	44-W	94512-01200	49	17-R	//	323	92-AK
//	181	58-BA	//	49	17-Y	//	329	93-AK
//	185	59-AZ	//	59	18-AK	*94525-00800	229	69-U
//	189	60-U	//	179	58-AT	94541-01000	327	93-Y
//	217	66-AP	//	185	59-AS	94611-10400	119	40-M
//	227	68-L	94512-01300	77	22-AE	//	151	47-BQ
* //	231	69-AO	94512-01400	75	22-M	94611-10500	235	71-Y
//	255	77-L	//	109	37-Z	94611-10600	149	47-AV
//	263	78-AH	//	113	38-Z	//	239	72-B
//	267	79-AI	//	125	42-O	//	245	73-V
//	269	80-L	* //	239	72-L	94611-10800	285	83-AH
//	301	87-AD	94521-00600	191	60-AE	//	325	92-AX
//	309	89-AG	//	225	67-AP	94612-10400	201	63-G
//	311	90-Q	94521-00800	247	73-AF	//	241	72-AG
//	321	92-Q	94522-01200	123	41-O	//	249	74-U
94512-00600	327	93-J	94523-00500	287	83-AO	//	253	76-F
//	333	94-L	//	295	85-BA	//	297	86-I
94512-00800	19	5-P	94523-00600	287	83-AT	//	311	90-L
//	45	16-N	//	295	85-AW	//	315	91-O
* //	47	17-I	94523-00800	299	87-S	//	323	92-AQ
//	53	17-BJ	//	327	93-W	//	337	95-E
//	55	18-B	94524-00400	253	76-J	*94612-10500	129	43-Z
//	63	19-AD	//	257	77-AQ	//	179	58-AY
//	67	20-AB	* //	265	79-K	//	185	59-AX
//	67	20-AD	* //	269	80-D	//	191	60-AO
//	71	21-AE	//	275	81-Z	//	213	66-G
//	73	21-AG	//	281	82-AC	* //	229	69-M
//	75	22-I	//	301	87-AO	//	249	74-K
//	95	31-T	* //	305	88-C	* //	251	75-P
//	99	33-Y	//	335	94-AR	//	307	89-X
//	101	34-V	94524-00500	233	70-J	94612-10600	125	42-H
* //	105	36-U	//	235	71-AG	//	129	43-B
//	149	47-AK	//	307	89-J	//	135	44-V
//	153	48-F	94524-00600	221	67-G	//	147	47-K
//	177	58-F	//	237	71-AS	//	153	48-R
//	183	59-F	//	245	73-J	//	155	49-R
//	189	60-W	//	245	73-O	//	217	66-BC
//	195	61-B	* //	273	81-M	//	245	73-M
//	199	62-B	* //	279	82-M	//	257	77-Z
//	205	64-B	//	285	83-V	//	273	81-E
//	209	65-M	* //	291	84-K	//	279	82-E
//	213	66-B	//	295	85-S	//	299	87-L
//	223	67-AK	//	299	87-F	//	303	87-BE
//	227	68-E	//	309	89-AK	//	327	93-AB
//	245	73-AC	//	329	93-AJ	//	335	94-AA
//	255	77-Q	94524-00800	99	33-X	94612-10800	19	5-AG
//	307	89-AA	* //	101	34-W	//	29	10-AC
//	333	94-R	//	103	35-Y	//	29	10-AL
94512-01000	19	5-U	//	207	64-S	//	109	37-AH
//	41	15-D	//	211	65-T	//	113	38-AH
//	47	17-I	//	229	69-R	//	117	39-AI
//	65	19-AX	//	235	71-C	//	153	48-G

STANDARD HARDWARE INDEX

PART NUMBER	PAGE	FIGURE NUMBER	PART NUMBER	PAGE	FIGURE NUMBER	PART NUMBER	PAGE	FIGURE NUMBER
94612-10800	177	58-H	94612-11200	179	58-AF	94613-10600	283	83-J
//	183	59-H	94613-10600	29	10-AH	//	291	84-C
//	191	60-AR	//	59	18-AM	//	293	85-G
//	195	61-D	//	61	19-N	//	301	87-AE
//	199	62-C	//	181	58-BB	//	307	89-T
//	201	63-D	//	185	59-BA	//	311	90-C
//	205	64-C	//	189	60-N	//	315	91-C
//	209	65-N	//	195	61-I	//	321	92-M
//	213	66-C	//	199	62-I	//	327	93-N
//	213	66-D	//	201	63-T	//	333	94-AD
//	221	67-H	//	205	64-P	//	337	95-O
//	227	68-F	//	209	65-J	94613-10800	19	5-T
//	235	71-E	//	213	66-P	//	67	20-AB
//	245	73-AD	//	221	67-K	//	69	20-AH
//	267	79-AH	//	227	68-Q	//	71	21-AE
//	295	85-AL	//	233	70-D	//	73	21-AK
//	309	89-AR	//	235	71-AD	//	149	47-AJ
//	323	92-AA	//	243	72-AQ	//	191	60-AL
//	327	93-C	* //	245	73-M	//	223	67-AL
94612-11000	155	49-I	//	251	75-M	//	245	73-T
//	179	58-AC	//	253	76-U	* //	265	79-R
//	185	59-AA	//	253	76-Y	//	307	89-AB
//	189	60-A	//	257	77-AC	//	327	93-S
//	195	61-S	//	263	78-AQ	94613-11000	327	93-Z
//	199	62-Q	//	265	79-F	*94711-90800	47	17-K
//	213	66-J	//	275	81-AN	//	55	18-C
94612-11200	123	41-O	//	281	82-AQ			

COTTER PIN

95381-01215	63	19-X	95381-02015	329	93-AN	95381-02025	189	60-B
//	303	87-BC	95381-02018	285	83-AN	95381-03020	41	15-K
95381-01612	249	74-P	//	295	85-AP	//	63	19-AA
*95381-01620	129	43-V	//	327	93-E	95381-03025	75	22-A
*95381-02012	229	69-X	*95381-02020	19	5-X	//	227	68-Y
//	325	92-AY	//	61	19-E	95381-04030	53	17-BI
95381-02015	309	89-AS	//	245	73-R	//	309	89-AN
//	323	92-AC	95381-02025	47	17-H			

R I V E T

*95111-00405	275	81-AB	95111-01022	75	22-W	*95112-00305	221	67-S
* //	281	82-AE	95112-00305	189	60-J	95112-00516	285	83-AJ

TOYOTA MOTOR SALES CO., LTD.

Head Office: No.2, 2-chome, Hijie-cho, Nakamura-ku,
Nagoya, Japan. Tel: (551) 9111

Cable Address: JIDOSHA NAGOYA

Tokyo Office: No.3-18, 2-chome, Kudan-minami Chiyoda-ku,
Tokyo, Japan. Tel: (263) 4111

Cable Address: JIDOSHA TOKYO

NOVEMBER 1967

PRINTED IN JAPAN

Running No. 93648-67

Replaced by No. 35-E, August 1965
Replaced by No. 65-E, December 1965
Replaced by No. 95-E, April 1966
Replaced by No. 138-E, July 1966
Replaced by No. 147-E, November 1966
Replaced by No. 196-E, February 1967